



UTV Straight Blade

Blade Assembly 77760

Big Box Assembly 77860

Parts List

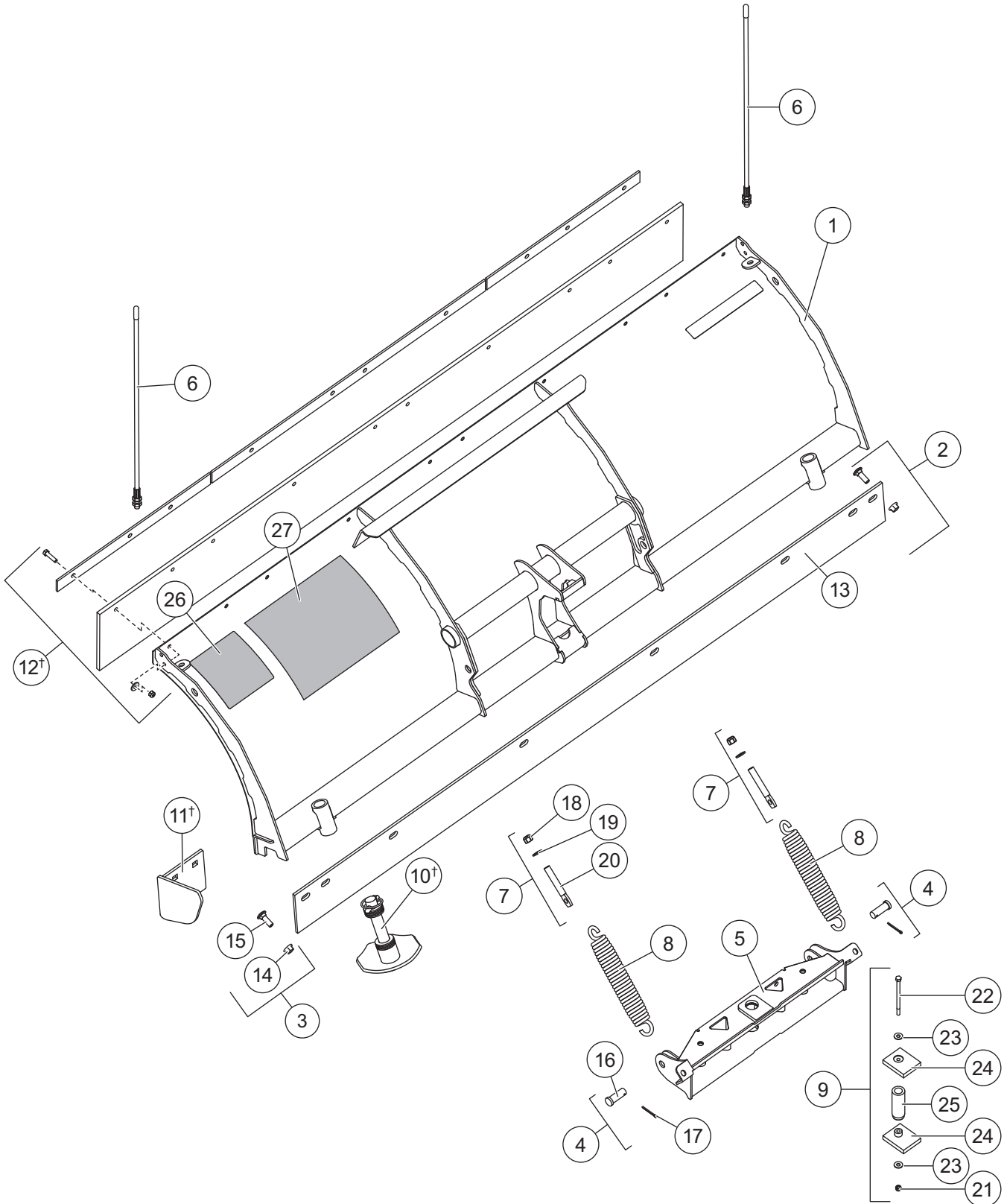


TABLE OF CONTENTS

UTV STRAIGHT BLADE ASSEMBLY	4
HEADGEAR AND A-FRAME ASSEMBLY	6
HYDRAULIC COMPONENTS	8
Hydraulic Unit.....	8
Lift and Angle Rams	10
Hoses and Fittings.....	10
VEHICLE-SIDE HARNESS DIAGRAM.....	11

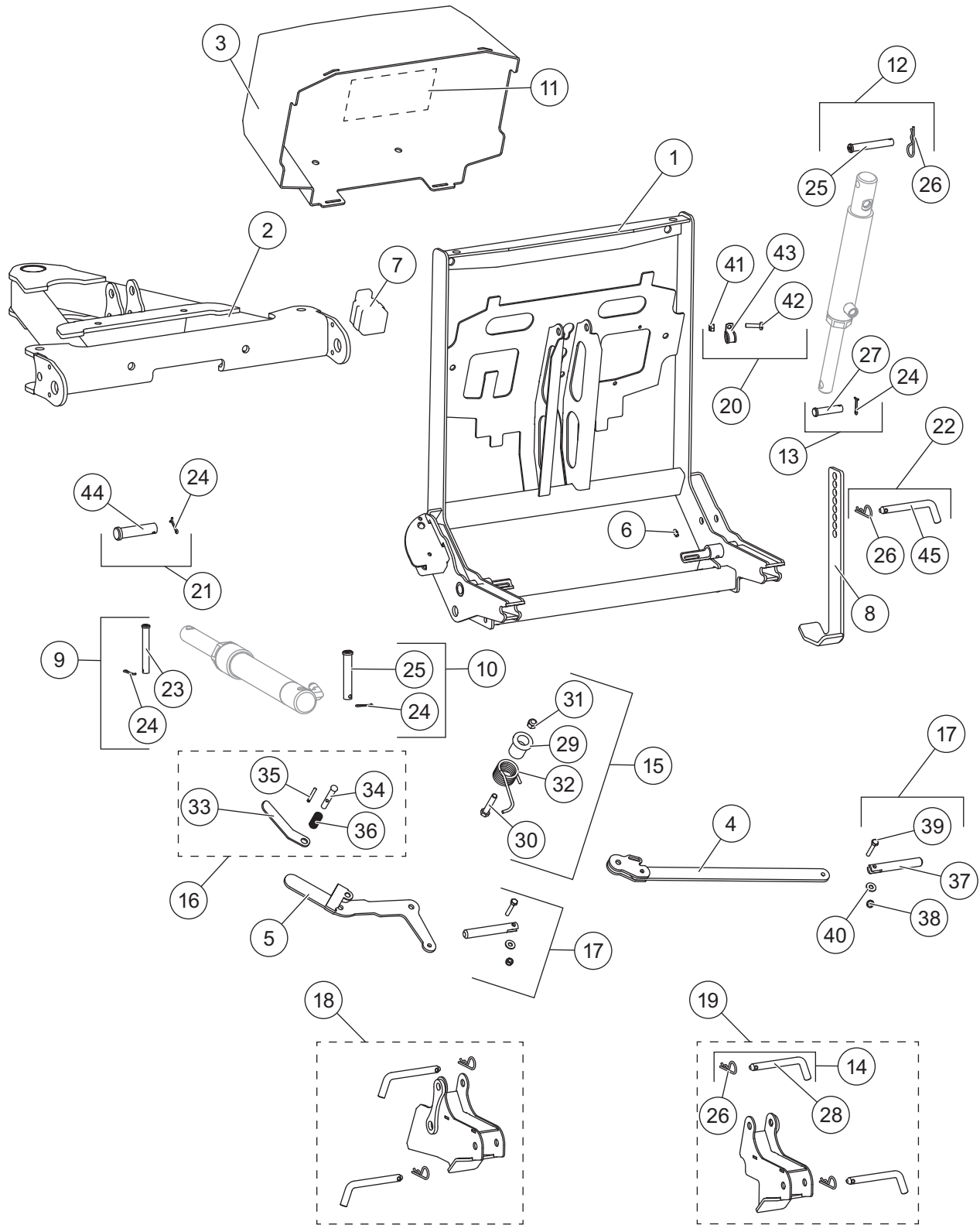
UTV STRAIGHT BLADE ASSEMBLY

Blade Components



UTV STRAIGHT BLADE HEADGEAR AND A-FRAME ASSEMBLY

Headgear and A-Frame Components

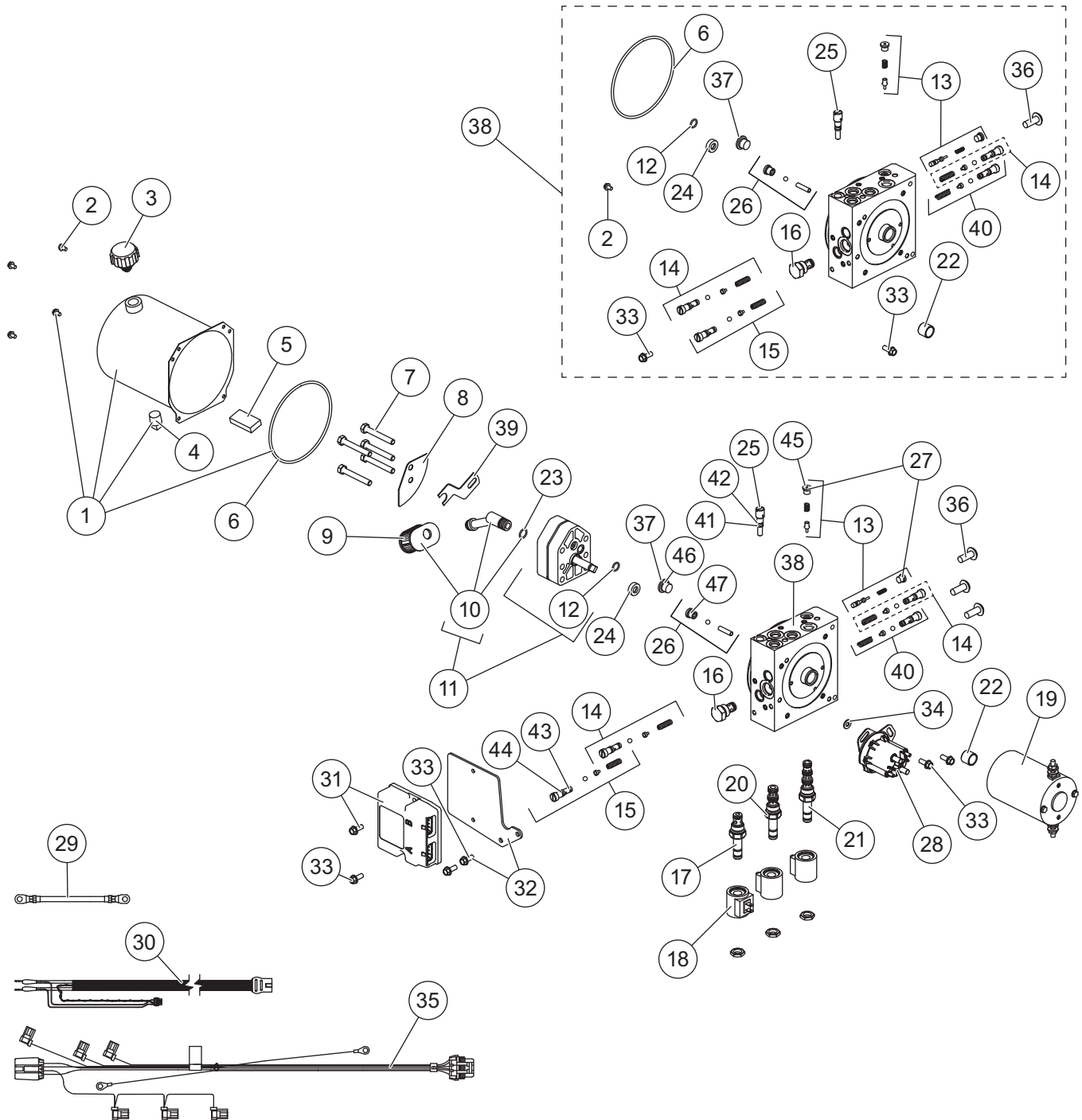


UTV STRAIGHT BLADE HEADGEAR AND A-FRAME ASSEMBLY

UTV Straight Blade Headgear and A-Frame Components							
Item	Part	Qty	Description	Item	Part	Qty	Description
1	86259	1	Headgear	12	85199	1	Lift Ram Base Pin Kit
2	85193	1	A-Frame	13	84627	1	Lift Ram Rod Pin Kit
3	85194	1	Hydraulic Cover (incl. item 11)	14	84610	4	Receiver Pin Kit
4	83635	1	Link	15	83636	1	Torsion Spring/Spacer Kit
5	83634	1	Handle	16	83633	1	Attach Handle Release Cam Kit
6	84616	1	Grease Zerk (3-Pack)	17	84602	2	Hitch Pin Kit
7	61246	1	Cable Boot	18	83637	1	Receiver Kit, DS
8	84846	1	Stand	19	83638	1	Receiver Kit, PS
9	83629	2	Angle Ram Rod Pin Kit	20	84778	1	Power Cable Clamp Loop Kit
10	85198	2	Angle Ram Base Pin Kit	21	83630	1	A-Frame Pin Kit
11	84963	1	Label - Hydraulic	22	83825	1	Stand Pin Kit
Item 9				83629 Angle Ram Pin Kit			
23		1	1/2 x 3-11/16 Clevis Pin HT	24		1	5/32 x 1-1/2 Cotter Pin
Item 10				85198 Angle Ram Base Pin Kit			
24		1	5/32 x 1-1/2 Cotter Pin	25		1	1/2 x 2-7/8 Clevis Pin HT
Item 12				85199 Lift Ram Base Pin Kit			
25		1	1/2 x 2-7/8 Clevis Pin HT	26		1	1/8 Hairpin Cotter
Item 13				84627 Lift Ram Rod Pin Kit			
24		1	5/32 x 1-1/2 Cotter Pin	27		1	1/2 x 2-1/8 Clevis Pin HT
Item 14				84610 Receiver Pin Kit			
26		1	1/8 Hairpin Cotter	28		1	1/2 x 4 Clevis Pin
Item 15				83636 Torsion Spring/Spacer Kit			
29		1	Spacer, Handle Spring	31		1	3/8-16 Hex Locknut GB
30		1	3/8-16 x 2-1/4 Hex Cap Screw G5	32		1	Torsion Spring
Item 16				83633 Attach Handle Release Cam Kit			
33		1	Handle Lock Pin Lever	35		1	3/16 x 1-3/8 Spring Pin SS
34		1	Lock Pin	36		1	Stand Lock Pin Spring
Item 17				84602 Hitch Pin Kit			
37		1	Hitch Pin	39		1	1/4-20 x 1-1/2 Hex Cap Screw SS
38		1	1/4-20 Hex Locknut GB	40		1	1/4 Flat Washer Type A Wide
Item 18				83637 Receiver Kit, DS			
		1	Receiver, DS	14	84610	2	Receiver Pin Kit
Item 19				83638 Receiver Kit, PS			
		1	Receiver, PS	14	84610	2	Receiver Pin Kit
Item 20				84778 Power Cable Clamp Loop Kit			
41		1	1/4-20 Hex Locknut GB	43		1	#10 Clamp Loop
42		1	1/4-20 x 1 Hex Cap Screw G5				
Item 21				83630 A-Frame Pin Kit			
24		1	5/32 x 1-1/2 Cotter Pin	44		1	3/4 x 3 Clevis Pin
Item 22				83825 Stand Pin Kit			
26		1	1/8 Hairpin Cotter	45		1	3/8 x 2-3/4 Clevis Pin HT
			G = Grade				HT = Heat Treated
							SS = Stainless Steel

UTV STRAIGHT BLADE HYDRAULIC COMPONENTS

Hydraulic Unit Components



UTV STRAIGHT BLADE HYDRAULIC COMPONENTS

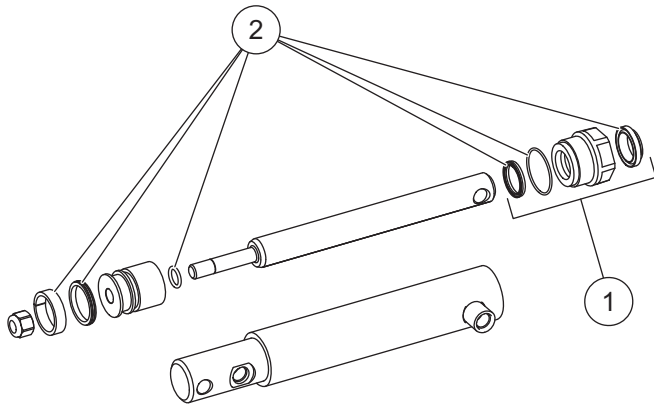
84949 Hydraulic Unit							
Item	Part	Qty	Description	Item	Part	Qty	Description
1	52289	1	Reservoir Kit	26	48518	1	Check Valve Assembly
2	66607	4	10-24 x 5/16 Machine Screw Slotted Hex Washer Head	27	92960	2	3/8-24 O-Ring Boss Plug
3	48278	1	Breather	28	52290	1	Motor Relay
4	92079	1	Plug 3/8 NPTF	29	29071	1	Cable Assy, 8"
5	73897	1	Magnet	30	52291	1	Cable Assy, Plow
6	66519	1	O-Ring 2 -250	31	49567	1	Plow Module
7	90073	5	5/16-18 x 2-1/4 Hex Cap Screw G5	32	84957	1	Module Plate w/Screws
8	48464	1	Plate Baffle	33	44355	6	1/4-20 x 5/8 Hex Washer Head Thread-Rolling Screw
9	48281	1	Filter	34	91119	1	3/16 Flat Washer Type A Special
10	84955	1	Inlet Fitting w/Filter	35	84956	1	Harness, Plow Control 3-Solenoid
11	84954	1	Pump Kit	36	98043	3	3/8-16 x 1 Button Head Cap Screw
12	56274	1	O-Ring -013	37	56532	1	Plug, -6 SAE O-Ring Boss
13	84953	1	Poppet Check Valve Kit	38	84950	1	Manifold Assy w/o Valves (incl. items 2, 6, 12, 13, 14, 15, 16, 22, 24, 25, 26, 33, 35, 36 and 39)
14	52283	2	Relief Valve Kit (2 Sets)				
15	52284	1	Relief Valve Kit				
16	48287	1	Check Valve	39	64570	1	Retainer Clip
17	49690	1	Valve 2-Way w/Nut	40	52282	1	Relief Valve (1 Set)
18	52294	3	Coil w/Spade Terminals	41	48239	1	O-Ring -106
19	52299	1	Motor Assembly 3"	42	48240	1	Back-Up Ring -106
20	84951	1	Valve 3-Way w/Nut	43	55371	4	O-Ring -008
21	84952	1	Valve 4-Way w/Nut	44	25731	4	O-Ring -010
22	56364*	1	Bearing, Sleeve	45	26784	2	O-Ring -903
	52251	1	Bearing Tool Kit w/Bearing	46	56569	1	O-Ring -906
23	56416	1	O-Ring -014	47	44343	1	O-Ring -904
24	66515**	1	Pump Shaft Seal	ns	52252	1	Seal Repair Tool w/Seal
25	48517	1	Quill				
O-Ring Service Kits							
ns	52298-2	-	O-Ring Kit	ns	48309	-	Seal Kit Cartridge 3-Way and 4-Way Valve
ns	48310	-	Seal Kit 2-Way Valve				
ns = not shown				G = Grade			

* Use 52251 tool to install (includes 56364)

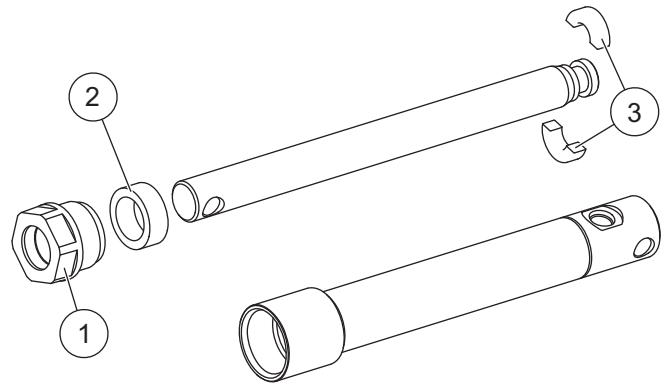
** Use 52252 tool to install (includes 66515)

UTV STRAIGHT BLADE HYDRAULIC COMPONENTS

Lift and Angle Ram Components

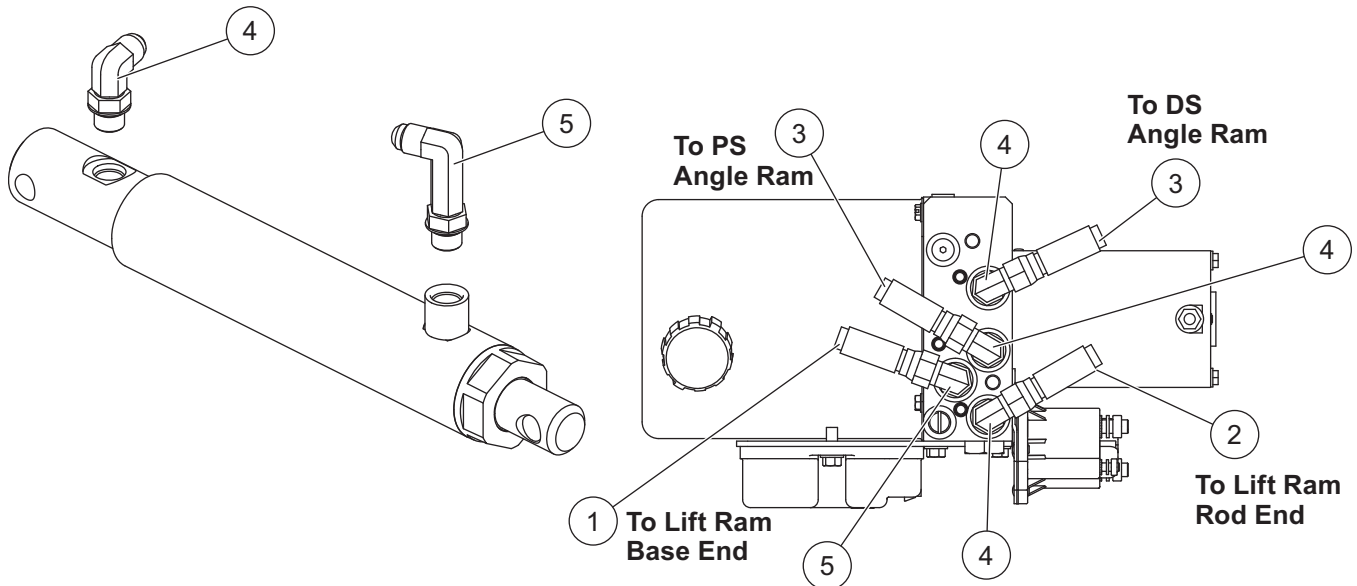


84496 Lift Ram Assembly 1-1/2 x 6 DA			
Item	Part	Qty	Description
1	52277	1	1" Gland Assembly
2	52302	1	Seal Kit 1-1/2" DA Ram



56772K Angle Ram Assembly 1 x 7			
Item	Part	Qty	Description
1	52277	1	1" Gland Nut Assembly
2	56803	1	Spacer
3	52276	1	1" Split Bearing Kit

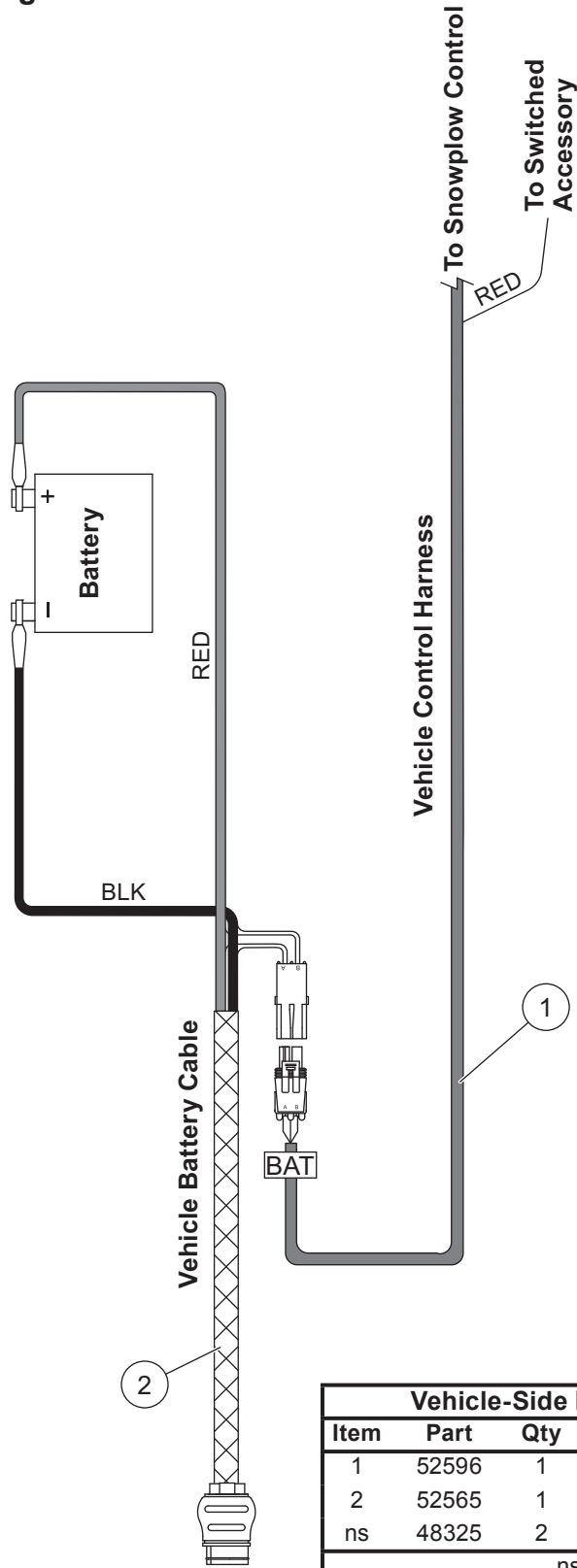
Hoses and Fittings



Hoses and Fittings							
Item	Part	Qty	Description	Item	Part	Qty	Description
1	84446	1	Hose, 1/4 x 14 w/F JIC Ends	5	40572	2	Elbow, Extra Long 90° -6 M JIC/-6 M ORB
2	84453	1	Hose, 1/4 x 20 w/F JIC Ends	ns	56823	1	Hose Wrap
3	84810	2	Hose, 1/4 x 32 w/F JIC Ends				
4	56615-1	6	Elbow, 90° -6 M JIC/-6 M ORB				
			F = Female			ns = not shown	M = Male

UTV STRAIGHT BLADE VEHICLE-SIDE HARNESS DIAGRAM

Vehicle-Side Harness Diagram



Vehicle-Side Electrical Components			
Item	Part	Qty	Description
1	52596	1	Vehicle Control Harness
2	52565	1	Vehicle Battery Cable
ns	48325	2	Plug Cover
ns = not shown			



TrynEx International, LLC
531 Ajax Drive
Madison Heights, MI 48071-2429
www.snowexproducts.com

 A DIVISION OF DOUGLAS DYNAMICS, LLC

Copyright © 2016 Douglas Dynamics, LLC. All rights reserved. This material may not be reproduced or copied, in whole or in part, in any printed, mechanical, electronic, film or other distribution and storage media, without the written consent of TrynEx International, LLC. Authorization to photocopy items for internal or personal use by TrynEx International, LLC outlets or snowplow owner is granted.

TrynEx International, LLC reserves the right under its product improvement policy to change construction or design details and furnish equipment when so altered without reference to illustrations or specifications used. TrynEx International, LLC or the vehicle manufacturer may require or recommend optional equipment for snow removal. Do not exceed vehicle ratings with a snowplow. TrynEx International, LLC offers a limited warranty for all snowplows and accessories. See separately printed page for this important information. The following is a registered (®) trademark of Douglas Dynamics, LLC: SnowEx®.

Printed in U.S.A.