



7-1/2', 8-1/2' and 9-1/2' MVP 3™ Snowplows

Mild Steel Blades 74475, 74485, 74495

Poly Blades 74575, 74585, 74595

H,L&T Center Assembly 74300

H,L&T Center Assembly, Central Hydraulics 74310

Parts List

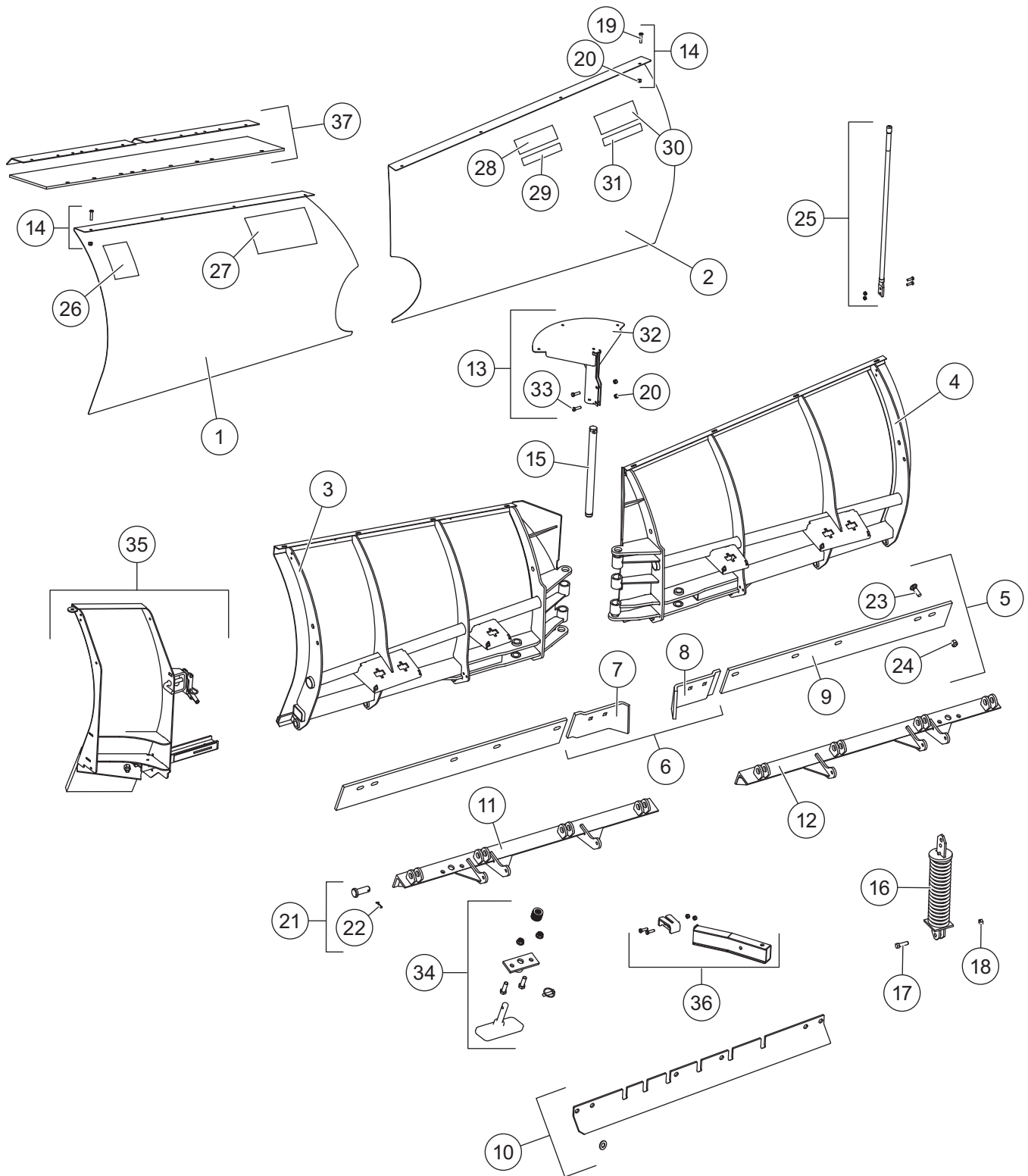


TABLE OF CONTENTS

MVP 3™ BLADE COMPONENTS	4
MVP 3 HYDRAULIC, LIFT FRAME AND T-FRAME (H,L&T) CENTER ASSEMBLY	6
Lift Frame and T-Frame Components.....	6
Hydraulic Unit Components	8
Hydraulic Unit Cover Assembly	10
Lift and Angle Ram Components.....	11
Hoses and Fittings	11
Electrical Components.....	12
Vehicle-Side Wiring Diagram – 3-Port, 2-Plug System.....	13
Vehicle-Side Wiring Diagram – Central Hydraulics	14
Headlamp Kit	15

MVP 3™ BLADES 74475/74485/74495/74575/74585/74595

Blade Components – 9-1/2' Shown



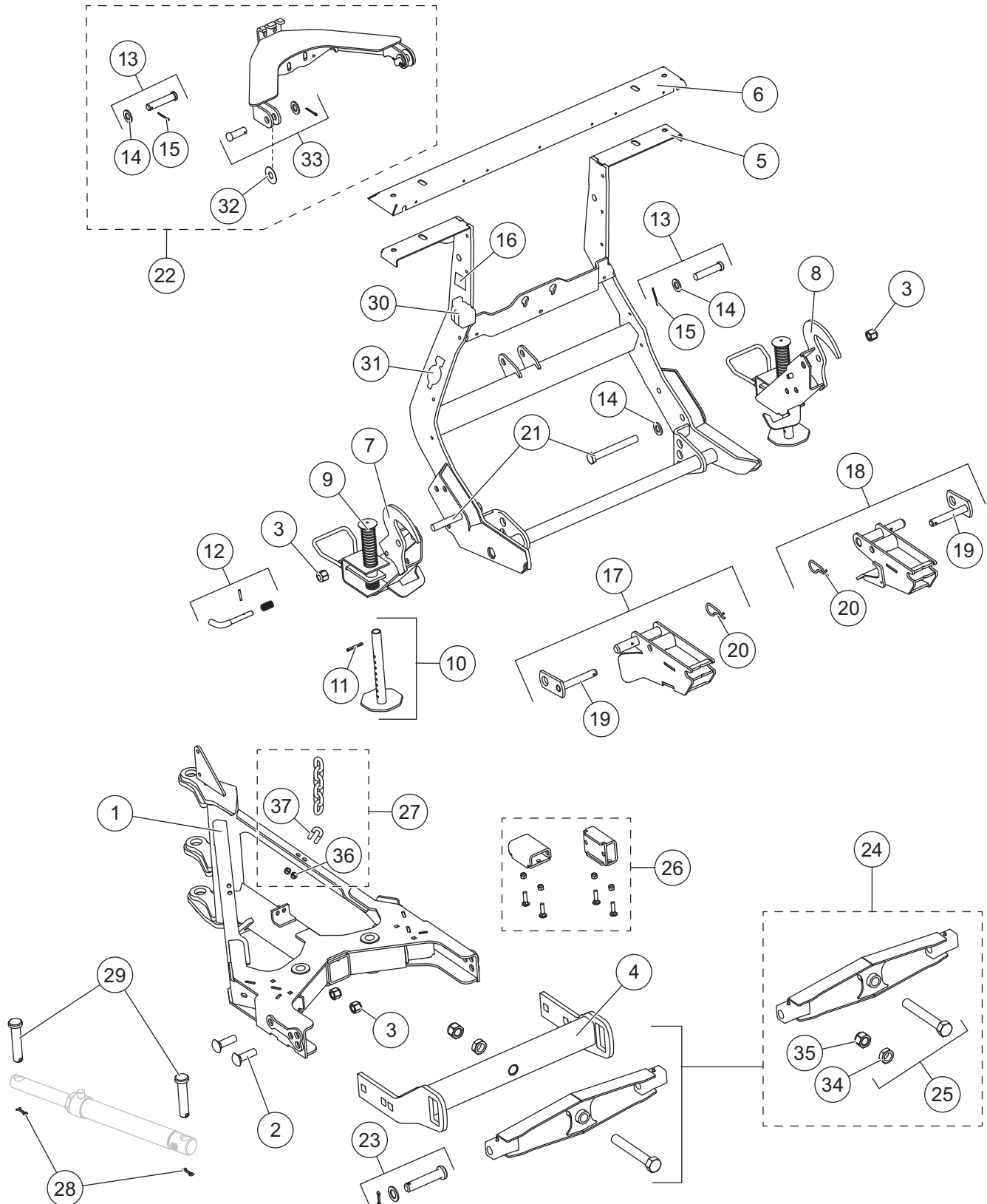
MVP 3™ BLADES 74475/74485/74495/74575/74585/74595

74475/74485/74495/74575/74585/74595 MVP 3 Blade							
Item Description		Part Number					
		7-1/2'		8-1/2'		9-1/2'	
		MS	Poly	MS	Poly	MS	Poly
1	Moldboard Kit w/Fasteners & Labels – DS	43137	43140	43138	43141	43139	43142
2	Moldboard Kit w/Fasteners & Labels – PS	43158	43161	43159	43162	43160	43163
3	Frame, Base Angle & Spring Assembly – DS	43143		43144		43145	
4	Frame, Base Angle & Spring Assembly – PS	43146		43147		43148	
5	Cutting Edge Kit (3/8")	44561-2		44564-2		–	
	Cutting Edge Kit (1/2")	44284-2†		44285-2†		44567-2	
6	Center Cutting Edge Kit	44894-1					
7	Center Cutting Edge – DS	44891-1					
8	Center Cutting Edge – PS	44890-1					
9	Cutting Edge (3/8") – one side	44896-1		44897		–	
	Cutting Edge (1/2") – one side	44996-1†		44997†		44898	
10†	Back Drag Edge Kit	44281-3†		44282-3†		44283-3†	
11	Base Angle – DS	43126		43128		43130	
12	Base Angle – PS	43127		43129		43131	
13	Center Snow Control Kit	43118					
14	Moldboard Fasteners Kit	43890					
† = Accessory Only				MS = Mild Steel			

Blade Pins, Fasteners, Labels & Springs					
Item	Part	Description	Item	Part	Description
15	49844	Main Pivot Pin	26	59900	Label – Warning/Caution, Snowplows
16	21452	Removable Spring Assembly	27	43360	Label – UltraMount® 2 Attach/Detach
17	91000	7/16-14 x 1/2 x 1-5/8 Shoulder Bolt	28	41696	Label – Identity, MVP 3
18	90353	7/16-14 Hex Locknut GB	29	43950	Label – Blade Size & Serial Number (MS)
19		3/8-16 x 1 Button Cap Screw		43951	Label – Blade Size & Serial Number (Poly)
20		3/8-16 Hex Locknut GB	30	44451	Label – Identity, WESTERN® 8.31"
21	27241	1 x 2-3/4 Clevis Pin w/Cotter	31	28404	Label – Identity, ULTRAFINISH™
22		1/4 x 1-3/4 Cotter Pin	ns	40986	Label – Identity, CONTRACTOR GRADE®
23		5/8-11 x 2 Carriage Bolt G5	ns	44763	Bolt Bag – Cutting Edge Kits (one side – 5 sets of fasteners)
24		5/8-11 Hex Locknut GB			
25	62595	Poly Blade Guide Kit			
Item 13			43118 Center Snow Control Kit		
20		3/8-16 Hex Locknut GB	33		3/8-16 x 1-1/4 Hex Cap Screw G5
32		Center Deflector			
Blade Accessories					
34†	43088	Shoe Kit (set of 2)	37†	41810	Deflector Kit (Universal) – 10"
35†	43510	Blade Wing Extension Kit (8-1/2' & 9-1/2' blades only)	ns†	41811	Deflector Kit (Universal) – 18"
			ns†	43087	Label Kit – Complete Blade
36†	43082	Blade Stop Kit	ns†	43620	Bolt Bag – Rubber Deflector
ns = not shown		MS = Mild Steel		G = Grade	
† = Accessory Only					

MVP 3™ H,L&T CENTER ASSEMBLY 74300/74310(CH)

Lift Frame and T-Frame Components



MVP 3™ H,L&T CENTER ASSEMBLY 74300/74310(CH)

MVP 3 Lift Frame and T-Frame Components							
Item	Part	Qty	Description	Item	Part	Qty	Description
1	43116	1	T-Frame Service Kit	17	42496	1	Receiver Kit – DS
2	63913	4	3/4-10 x 2-1/2 Carriage Bolt G5	18	42497	1	Receiver Kit – PS
3	91338	6	3/4-10 Hex Locknut GB	19	42498	2	Receiver Pin
4	44557-2	1	Pushbeam	20	91965K-1	2	5/32 Hairpin Cotter
5	43301	1	Lift Frame Service Kit	21	66451	2	3/4-10 x 6 Hex Cap Screw G5
6	43302	1	Light Channel	22	43304	1	Lift Arm Kit
7	67845	1	Stand Assembly – DS (incl. item 9)	23	49645	2	1 x 4-3/4 Clevis Pin Kit
8	67846	1	Stand Assembly – PS (incl. item 9)	24	67842-1	1	Pivot Bar Kit
9	48523	1	Plunger w/Spring	25	67855	1	Pivot Bolt Kit
10	67847	2	Stand Shoe Kit	26	43153	1	Stacking Stop Kit
11	67635	2	1/4 x 2 Roll Pin BP	27	49033	2	1/4 Grade 43 Chain Assembly
12	67844	2	Stand Lock Pin Kit	28	90601	4	1/4 x 1-1/2 Cotter Pin
13	68740	1	3/4 x 3-1/2 Clevis Pin Kit	29	22260	4	1 x 4-3/4 Clevis Pin
14	91147	6	3/4 Flat Washer	30	61246	1	Cable Boot
15	91911K	4	5/32 x 1-1/2 Cotter Pin	31	43358	2	Label – Identity, UltraMount® 2
16†	69689	1	Label – SECURITY GUARD™				
Item 5				43301 Lift Frame Service kit			
		1	Lift Frame	31	43358	2	Label – Identity, UltraMount® 2
16†	69689	1	Label – SECURITY GUARD™	32		2	UHMW Round Flat Washer, Special
Item 22				43304 Lift Arm Kit			
		1	Lift Arm	15	91911K	1	5/32 x 1-1/2 Cotter Pin (pkg of 4)
13	68740	1	3/4 x 3-1/2 Clevis Pin Kit	32		2	UHMW Round Flat Washer, Special
14	91147	6	3/4 Flat Washer	33	43351	2	3/4 x 2 Clevis Pin Kit
Item 24				67842-1 Pivot Bar Kit			
		1	Pivot Bar	25	67855	1	Pivot Bolt Kit
Item 25				67855 Pivot Bolt Kit			
		1	1-8 x 7 Hex Cap Screw G5	35	91340	1	1-8 Hex Locknut GB
34	67748	1	1-8 Hex Jam Nut G5				
Item 27				49033 1/4 Grade 43 Chain Assembly (2 per plow)			
		1	1/4 x 42 Grade 43 Chain	37	90571	1	3/8-16 x 1-1/2 U-Bolt
36	91333	2	3/8-16 Hex Locknut GB				
ns = not shown				G = Grade			

† Not used for Central Hydraulics.

MVP 3™ H,L&T CENTER ASSEMBLY 74300

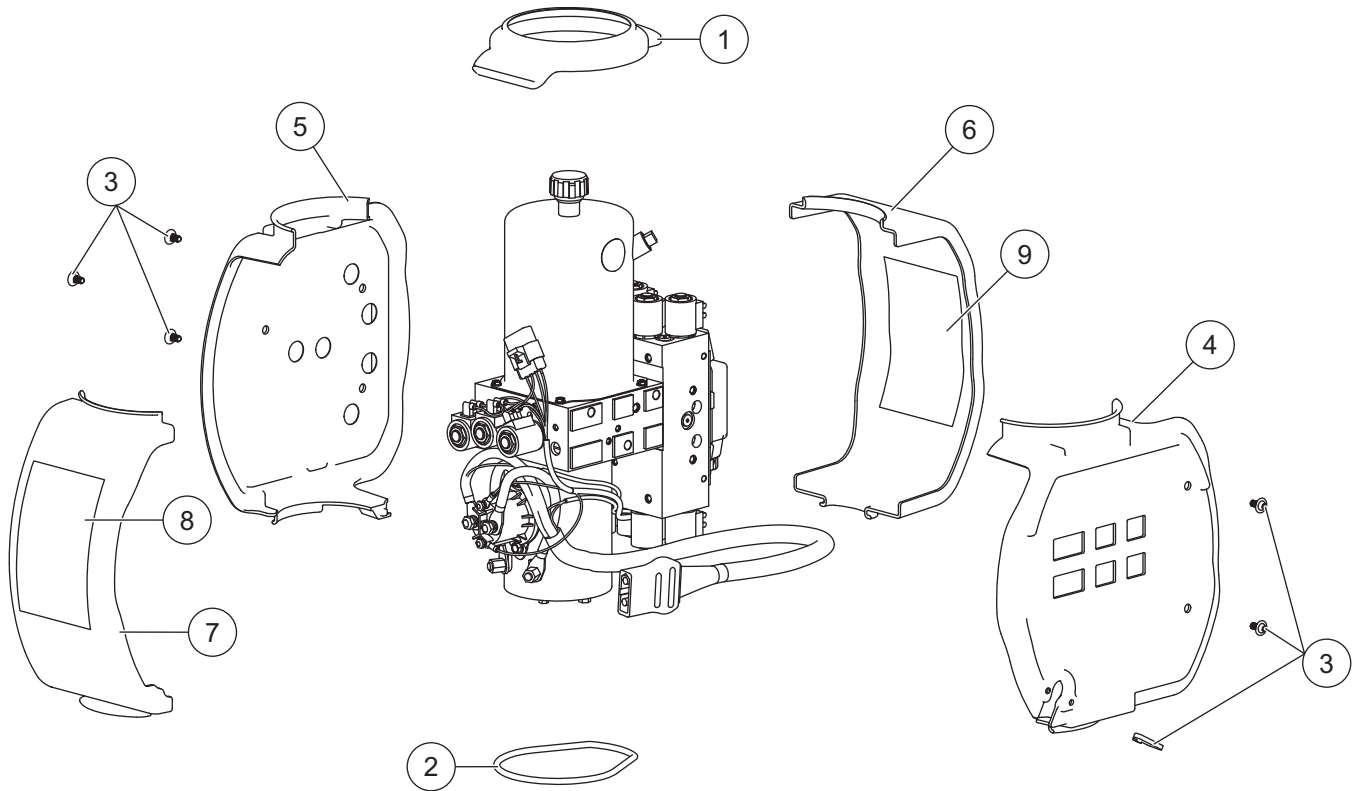
44320 Hydraulic Unit*							
48257 Hydraulic Unit Service Kit*							
(Not used for Central Hydraulics)							
Item	Part	Qty	Description	Item	Part	Qty	Description
1	21727-2K	1	Breather Pressure Control	17	44369	4	Valve Lock Ring w/Screw
2	44327-1	1	Reservoir Kit	18	63943	4	8-18 x 3/8 Tapping Screw
3	66607	4	10-24 x 5/16 Machine Screw	19	48517	1	Quill Assembly, 1/2-20 Thread
4	92079	1	Plug, Square 3/8 NPTF	20	44344	1	Plug, Hex Socket –4 M ORB
5	66519	1	O-Ring – 2-250	21	49138K-3	1-1/2	Relief Valve Kit (2 sets)
6	73897	1	Magnet	22	44338	2	Relief Valve Kit (2 sets)
7	90080	5	5/16-18 x 2-1/2 Hex Cap Screw G5	23	44334-1	4	Check Valve CV08-20
8	44328-1	1	Pump Kit	24	92960	4	Plug, Hex Socket –3 M ORB
9	56789-3	1	Suction Filter	25	29077	3	O-Ring –110
10	56274	1	O-Ring – 013	26	29081	5	1/4-20 x 3 Socket Cap Screw
11	66515	1	Pump Shaft Seal	ns	29099	2	1/4-20 x 1/4 Hex Washer-Head Thread-Rolling Screw
12	21500-1	1	Motor Assembly, 4-1/2"	ns	44326	1	1/4-20 x 1/2 6-Lobe Round Washer-Head Screw (pkg of 5)
13	49230K-2	11	Coil w/Spade Terminals	ns	44355	2	1/4-20 x 5/8 Hex Washer-Head Thread-Rolling Screw
14	44332	5	Valve SVCV08-20 w/Nut				
15	49227K-2	4	Valve SV08-2004 w/Nut				
16	44336	2	Valve SF08-2015 w/Nut				
O-Ring Service Kits							
–	56657-3	–	Back-Up/O-Ring Kit**	–	49259-2	–	Seal Kit – Valves SV08-30, 31, 33, 40, 43 and SVCV08-20
–	49258-2	–	Seal Kit – Valves SV08-2004, CV08-20, SF08-2015				
ns = not shown				G = Grade			

* Includes 44320 Hydraulic Unit, 44325 Cover Assembly (p. 10) and Plow-Side Electrical Components (p. 12).

** Does not contain O-rings for cartridge valves.

MVP 3™ H,L&T CENTER ASSEMBLY 74300

Hydraulic Unit Cover Assembly

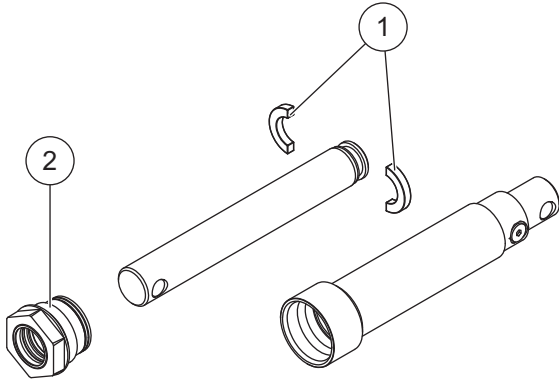


48175 Cover Assembly							
Item	Part	Qty	Description	Item	Part	Qty	Description
1	44352	1	Top Retainer Ring	6	44303	1	Cover, Side 3
2	44366	1	Bottom Retainer Ring	7	44304	1	Cover, Side 4
3	44326	1	1/4-20 x 1/2 6-Lobe Round Washer-Head Screw (5-pack) w/8" Cable Tie	8	44310	1	Label – Information (S1–S3)
4		1	Cover, Side 1	9	44319	1	Label – Information (S4–S11)
5		1	Cover, Side 2	ns	61536	1	Cable Tie 14"
				ns	43223	1	Label – MVP 3 Hydraulic Unit

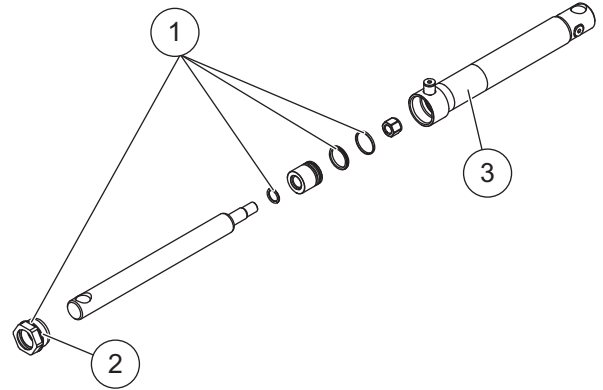
ns = not shown

MVP 3™ H,L&T CENTER ASSEMBLY 74300/74310(CH)

Lift and Angle Ram Components

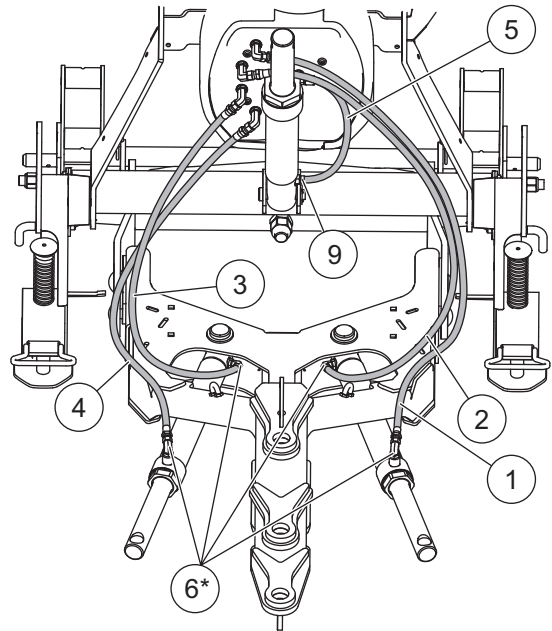
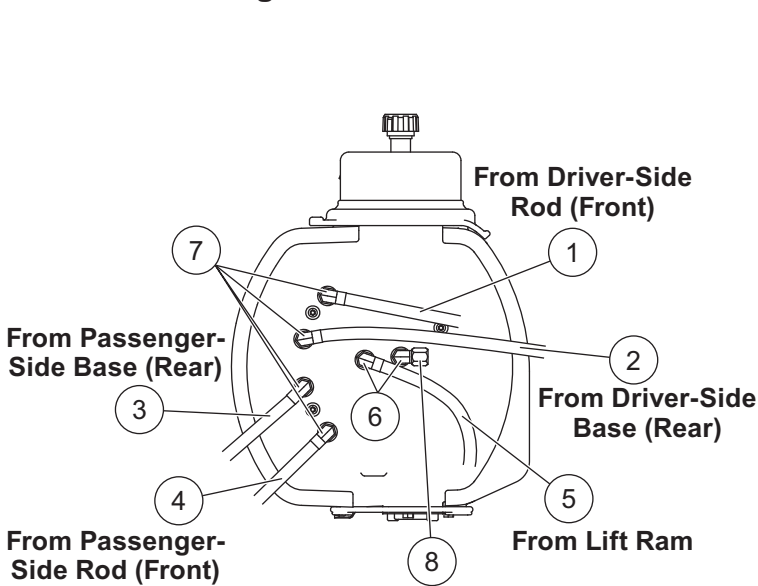


43149 Lift Ram Assembly 1-3/4 x 8			
Item	Part	Qty	Description
1	43134	1	Split Bearing
2	43135	1	Gland Nut Assembly



44341 Angle Ram Assembly 1-3/4 x 11 DA			
Item	Part	Qty	Description
1	44342	1	Seal Kit 1-3/4 DA Ram
2	48985	1	Gland Nut Assembly
3	68675	1	Label – UltraLock Double-Acting Cylinder

Hoses and Fittings



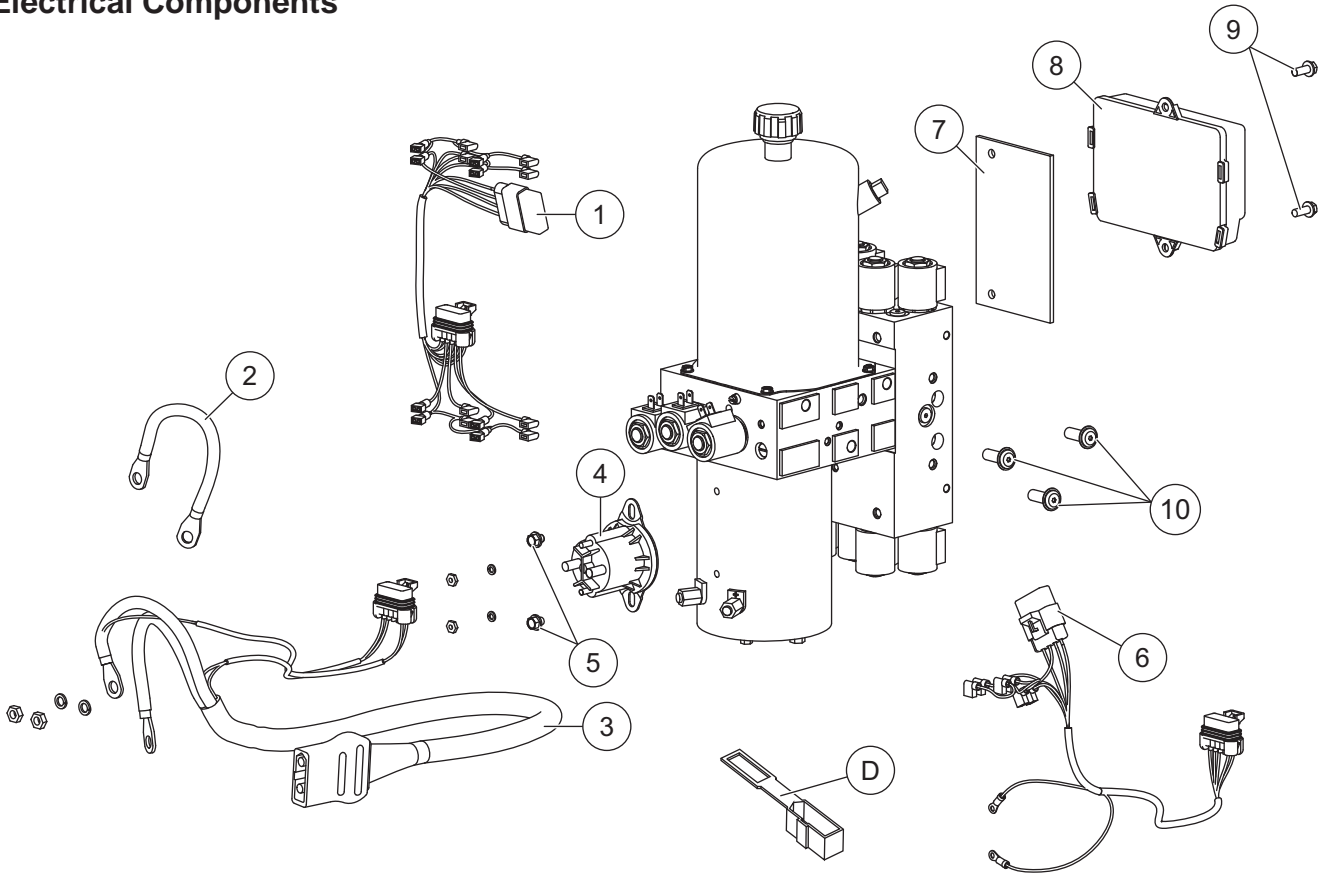
Hoses and Fittings							
Item	Part	Qty	Description	Item	Part	Qty	Description
1	56616-1	1	Hose, 1/4 x 42 w/F JIC Ends	7	64212-1	4	Elbow, Extra Long 90° -6 M JIC/-6 M ORB
2	44350	1	Hose, 3/8 x 45 w/F JIC Ends	8	44346	1	Drain Cap, -6 F JIC
3	44351	1	Hose, 3/8 x 38 w/F JIC Ends	9	B60007	1	Connector, Short -6 M JIC /-6 M ORB
4	56599	1	Hose, 1/4 x 36 w/F JIC Ends	ns	56823	2	Hose Wrap, Polyethylene
5	41094	1	Hose, 1/4 x 18 w/F JIC Ends	ns	98043	3	3/8-16 x 1 Button Cap Screw
6*	56615-1	6	Elbow, 90° -6 M JIC/-6 M ORB				

F = Female ns = not shown M = Male or Metric

* Also used for Central Hydraulics, qty 5.

MVP 3™ H,L&T CENTER ASSEMBLY 74300/74310(CH)

Electrical Components



Plow-Side Electrical Components							
Item	Part	Qty	Description	Item	Part	Qty	Description
1	28583	1	Plow Control Harness, 8-Solenoid	8	44354-3	1	Plow Module
2	29071	1	Cable Assembly 8"	9	44355	2	1/4-20 x 5/8 Hex Washer-Head Thread-Rolling Screw
3	42015	1	Snowplow Battery Cable	10	98043	3	3/8-16 x 1 Button Cap Screw
4	42902	1	Motor Relay Kit FLEET FLEX	ns	56099	1	Dielectric Grease
5	29099	2	1/4-20 x 1/4 Hex Washer-Head Thread-Rolling Screw	ns		4	Fuse, 4-amp Mini Automotive Blade-Style (for items 1 and 6)
6	28581-1	1	Plow Control Harness, 3-Solenoid				
7	44308	1	Spacer Module				

ns = not shown

Vehicle-Side Electrical Components (Diagrams on following pages.)							
Item	Part	Qty	Description	Item	Part	Qty	Description
A*†	42014	1	Vehicle Battery Cable	D	61548K	1	Plug Cover Kit (shown with plow-side electrical components)
B*	28587	1	Vehicle Control Harness				
C**	26498	1	Vehicle Control Harness – Central Hydraulics				

ns = not shown

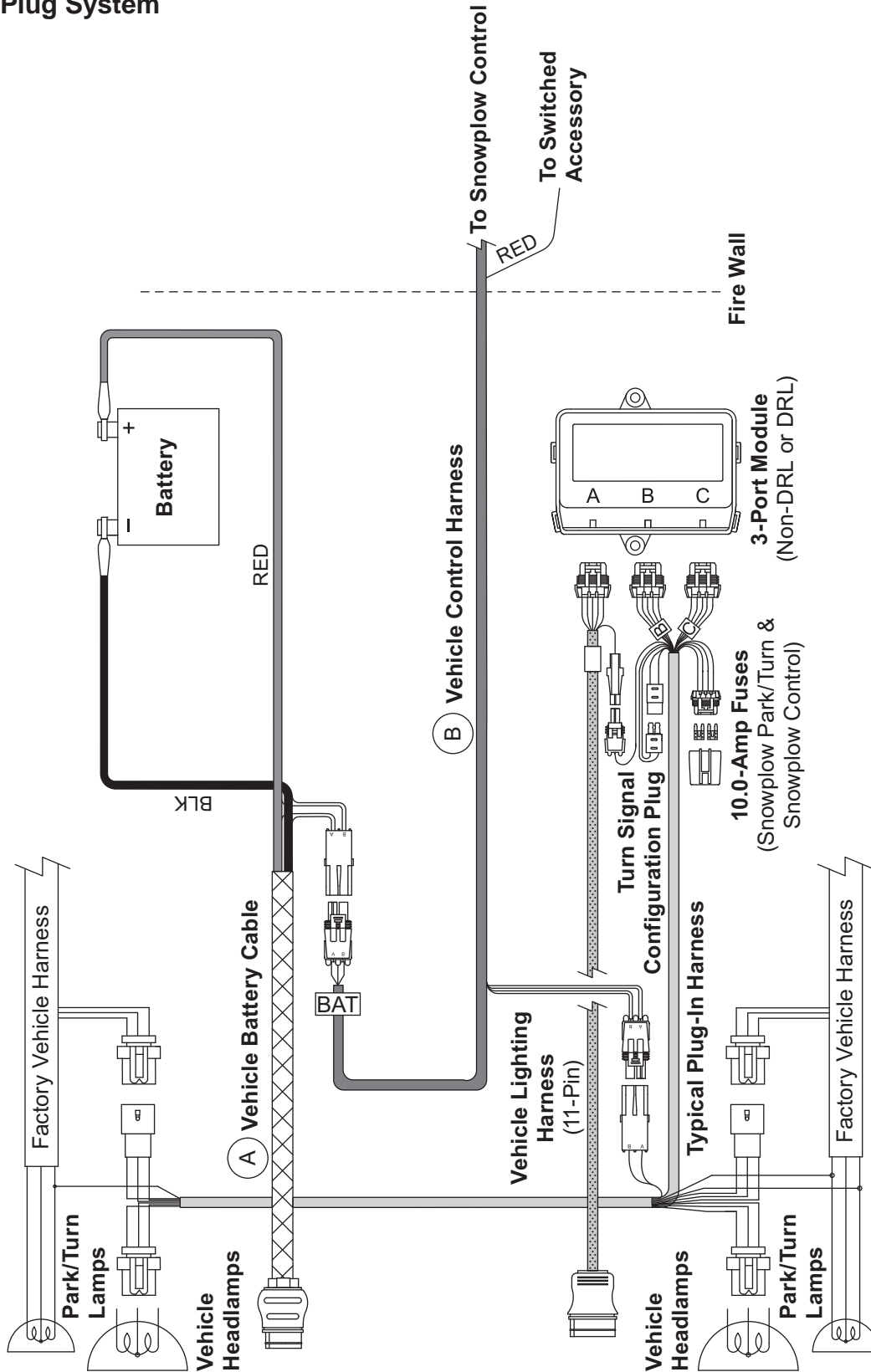
* See Vehicle-Side Harness Diagram.

** See Vehicle-Side Harness Diagram – Central Hydraulics.

† Not used for Central Hydraulics.

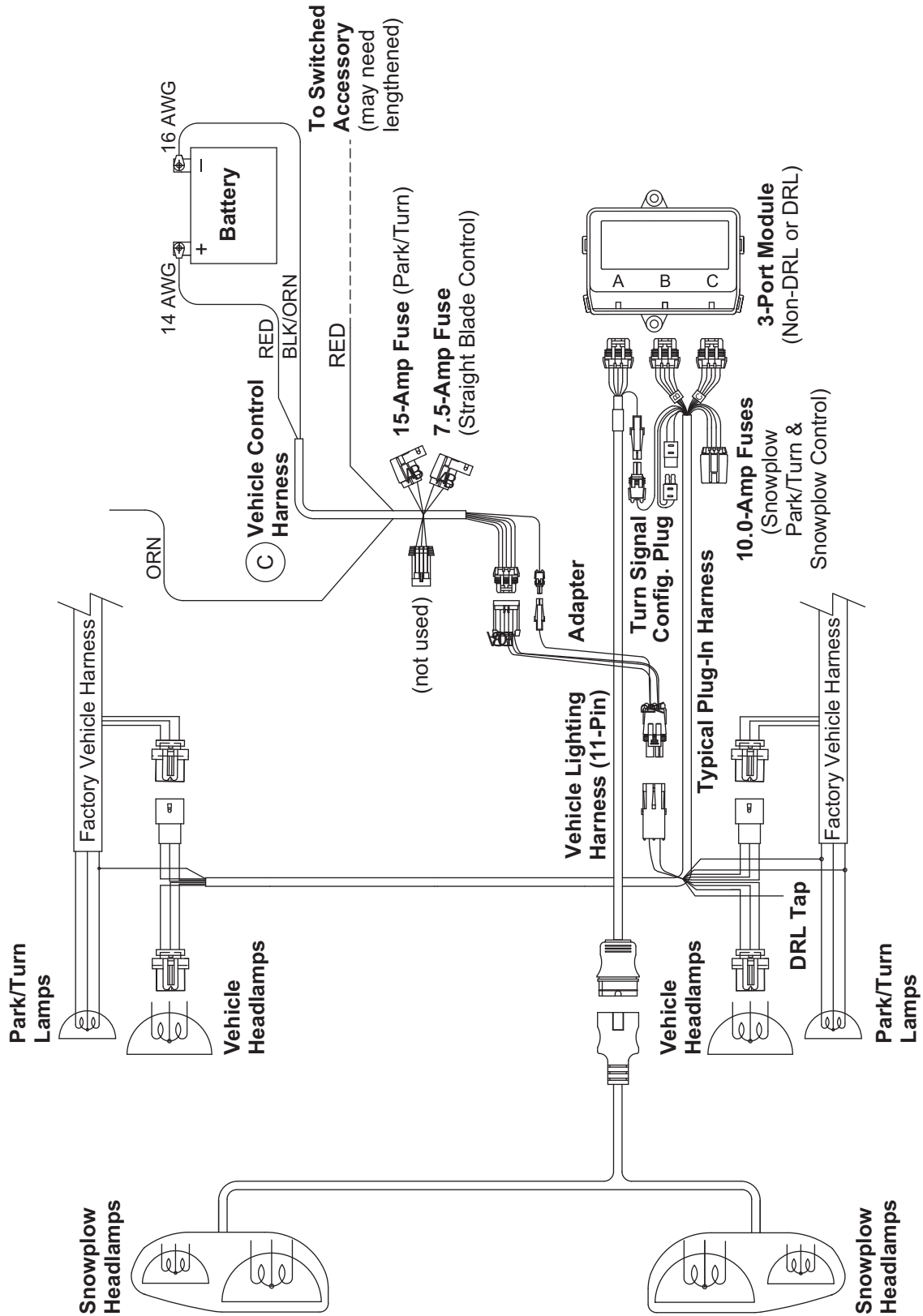
MVP 3™ H,L&T CENTER ASSEMBLY 74300

Vehicle-Side Harness Diagram 3-Port, 2-Plug System



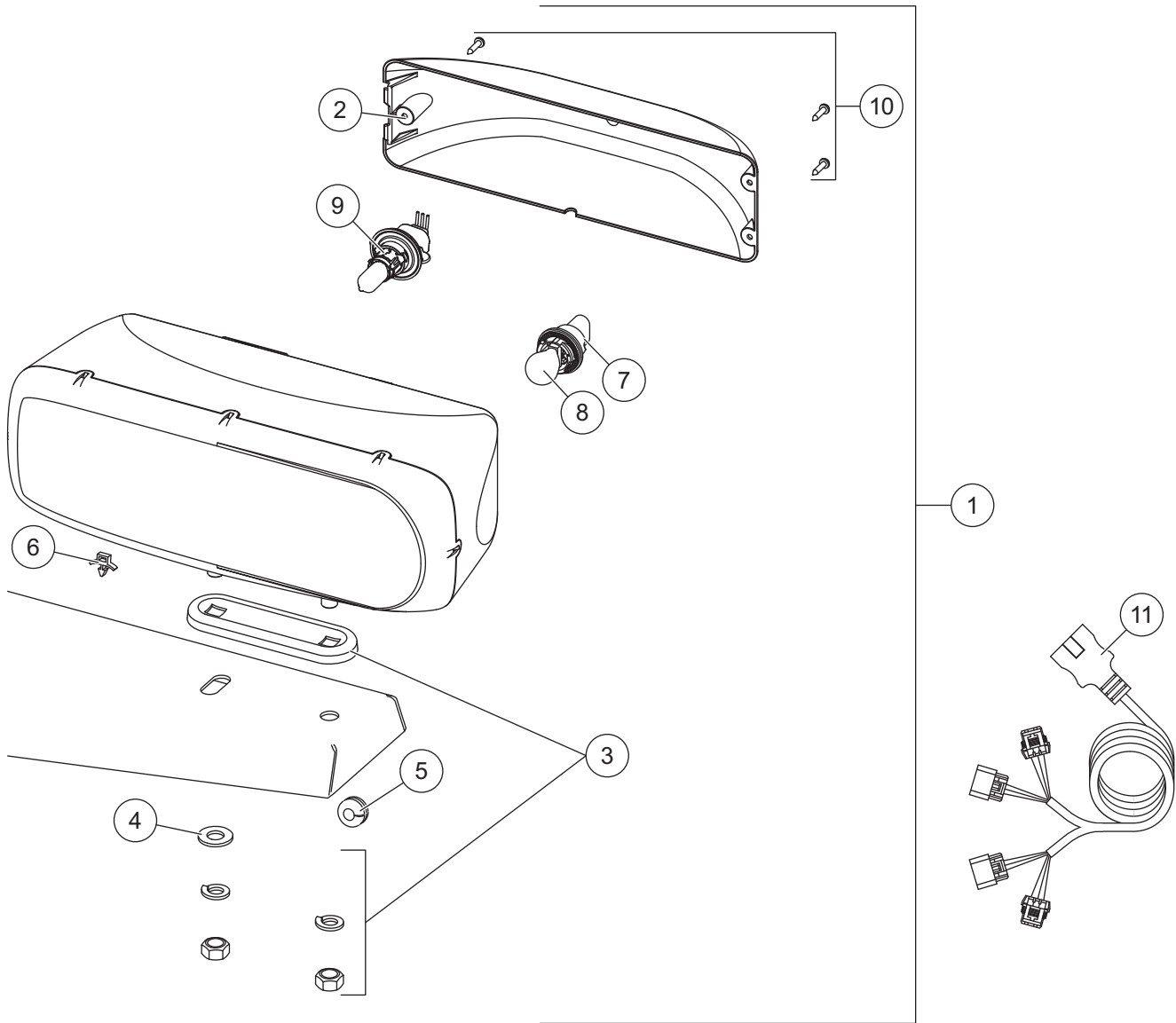
MVP 3™ H,L&T CENTER ASSEMBLY 74310(CH)

Vehicle-Side Harness Diagram – Central Hydraulics



MVP 3™ H,L&T CENTER ASSEMBLY 74300/74310(CH)

Headlamp Kit



28800-1 Headlamp Kit (Pair)

Item	Part	Qty	Description	Item	Part	Qty	Description
1	28801-1	1	Headlamp Service Kit DS	6	56595	7	Cable Tie Anchor
ns	28802-1	1	Headlamp Service Kit PS	7	28805	2	Park/Turn Socket Service Kit
2	28803-1	2	Rear Cover Kit (fits 2- or 3-screw)	8		2	Park/Turn Bulb (trade no. 4157NAK)
3	28804	2	Mounting Hardware Kit	9	28806	2	H13 Headlamp Bulb Service Kit
4	91105	2	1/2 Flat Washer	10	28808-1	2	Cover Screws Service Kit (pkg of 3)
5	66130	2	Rubber Grommet	11	28213W	1	Harness Service Kit

ns = not shown



Western Products
PO Box 245038
Milwaukee, WI 53224-9538
www.westernplows.com

 A DIVISION OF DOUGLAS DYNAMICS, LLC

Copyright © 2013 Douglas Dynamics, LLC. All rights reserved. This material may not be reproduced or copied, in whole or in part, in any printed, mechanical, electronic, film or other distribution and storage media, without the written consent of Western Products. Authorization to photocopy items for internal or personal use by Western Products outlets or snowplow owner is granted.

Western Products reserves the right under its product improvement policy to change construction or design details and furnish equipment when so altered without reference to illustrations or specifications used. Western Products or the vehicle manufacturer may require or recommend optional equipment for snow removal. Do not exceed vehicle ratings with a snowplow. Western Products offers a limited warranty for all snowplows and accessories. See separately printed page for this important information. The following are registered (®) or unregistered (™) trademarks of Douglas Dynamics, LLC: CONTRACTOR GRADE®, MVP 3™, SECURITY GUARD™, ULTRAFINISH™, UltraMount®, UltraMount® 2, WESTERN®.

Printed in U.S.A.