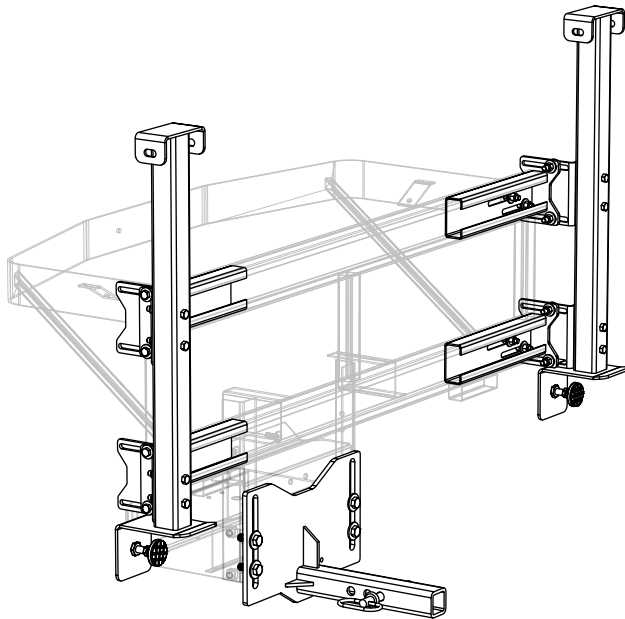


# Installation Guide

This Manual Must Be Read Before Operating The Equipment

# SNOWEX<sup>®</sup>

LEADERS IN ICE CONTROL



**RHT-380**

**TRYNEX<sup>®</sup>**  
INTERNATIONAL

**CUSTOMER COPY**

Madison Heights, Michigan 48071  
800-725-8377  
[www.snowexproducts.com](http://www.snowexproducts.com)

## Introduction

---

Model # RHT-380

This Installation Guide is designed to assist you when mounting your Snowex Spreader on your truck using the RHT-375 Mount. This guide is not a replacement for your Spreader Owner's Manual. Read and understand all safety information contained in the Spreader Owner's Manual before installing and using the RHT-375. Use caution at all times and take all necessary precautions to avoid injury to yourself and others.



Remember it is better to have extra assistance and precautions in order to avoid injury.

Do not lift spreader by yourself, seek competent assistance before attempting to lift spreader onto vehicle.

Use all necessary precautions, such as ratchet straps, clamps or other support/holding devices, to prevent spreader from falling or tipping.

Keep hands clear of all pinch points. Areas likely to be pinch points are those where two separate parts butt against each other.

Park vehicle on level ground before installing the spreader.

Follow all vehicle safety information.

Install straps before putting material in hopper.

---

Have a question or need assistance?

**SnowEx Customer Care**

**1-800-SALTERS**

or (248) 586-3500

Monday through Friday 8:00 AM to 4:30 PM EST

Fax: (248) 691-8378

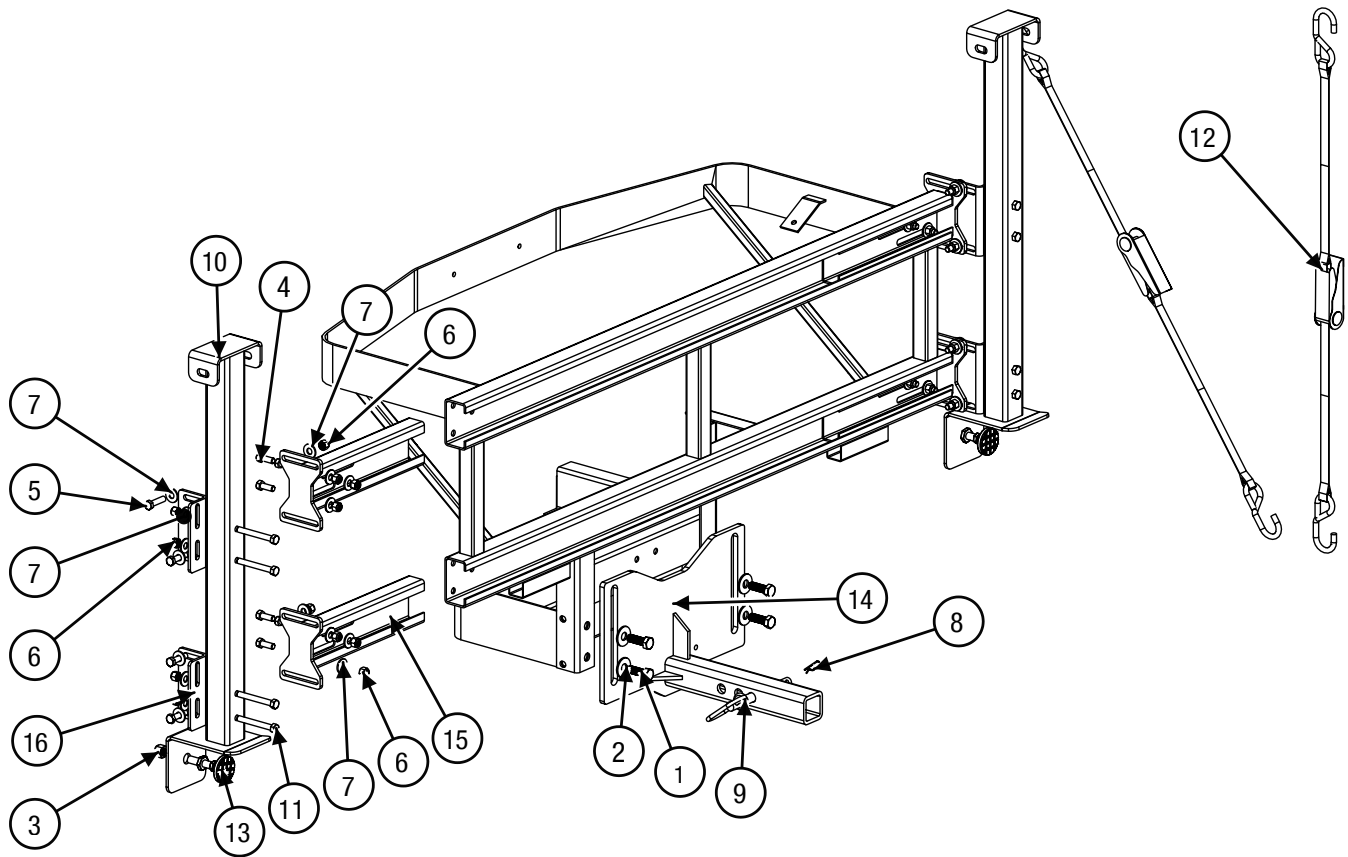
E-Mail: [customercare@trynexfactory.com](mailto:customercare@trynexfactory.com)

Website: [www.snowexproducts.com](http://www.snowexproducts.com)



# Parts Breakdown

Model # RHT-380



ID #	Part #	Description	Qty
1	D4116	Bolt 1/2"-13 X 1-1/2" Hex Head Zinc	4
2	D4119	1/2" FLAT USS WASHER ZINC	4
3	D4120	Nut 1/2"-13 Nylox Zinc	2
4	D4121	Bolt   3/8"-16 X 1" Hex Head Zinc	12
5	D4122	Bolt   3/8"-16 X 1-1/2" Hex Head Zinc	8
6	D4124	Nut   3/8"-16 Nylok Zinc	28
7	D4125	Washer   3/8" Flat USS Zinc	36
8	D4135	Hair Pin Cotter .093 X 2-3/8" Zinc	1
9	D4136	Hitch Pin 5/8" X 5-1/2"	1
10	D6388	Upright Support Bracket	2
11	D6392	3/8"-16 X 3" FULL THREAD HEX HEAD ZINC	8
12	F50687	Ratchet Strap   1" x 12'	2
13	D6791	Adjustable Foot RHT 375	2
14	F50773	RHT-380 Receiver Mount	1
15	F50800	RHT-380 Mounting Arm	4
16	F50801	Vertical Bracket   RHT-380	4

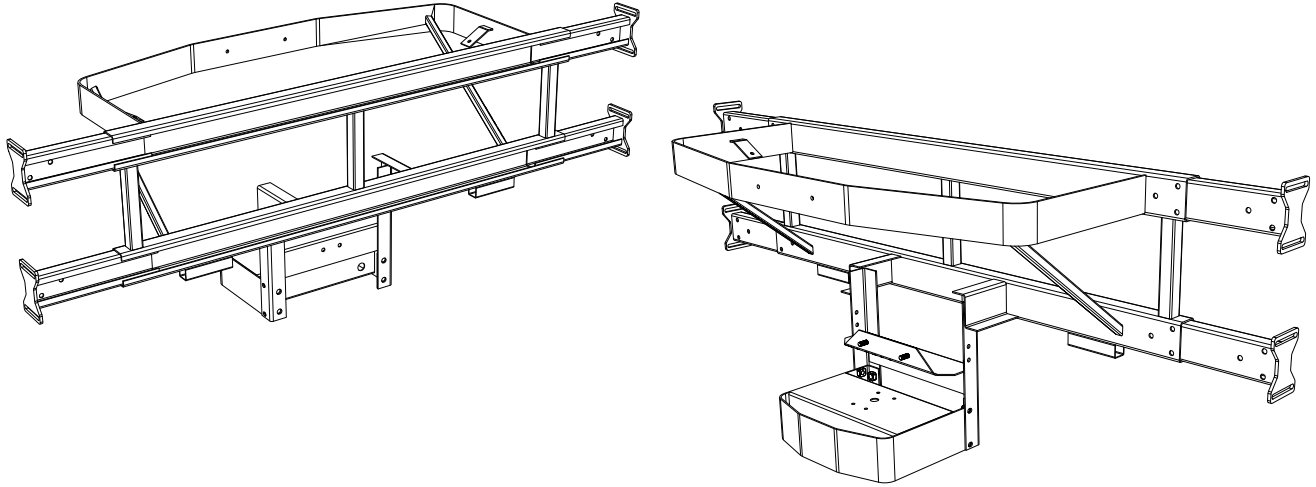
# Installation Instructions



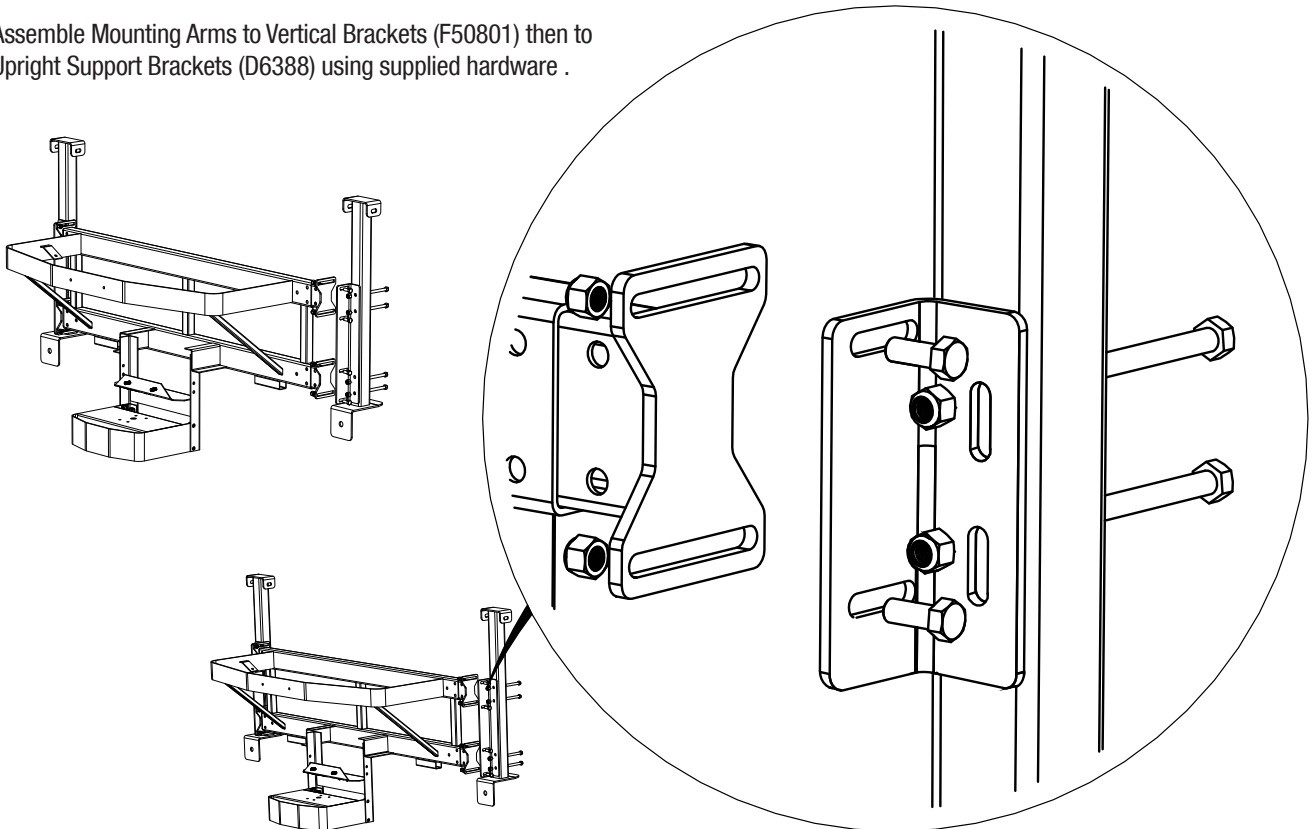
Model # RHT-380

All diagrams are shown with SP-1075 configuration.

Step 1: Insert Mounting Arms (F50800) into spreader frame.



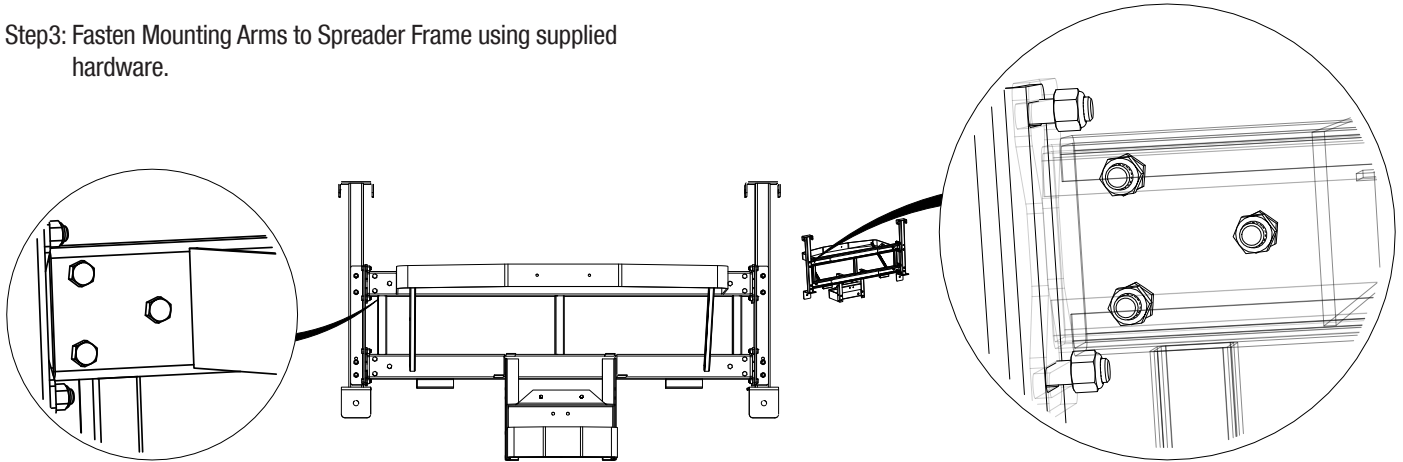
Step 2: Assemble Mounting Arms to Vertical Brackets (F50801) then to Upright Support Brackets (D6388) using supplied hardware .



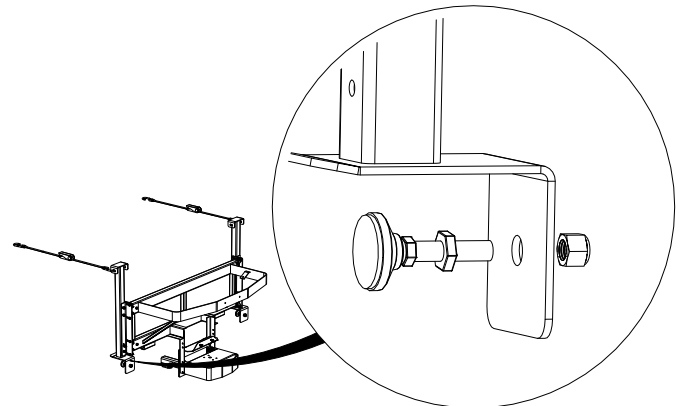
## Installation Instructions

Model # RHT-380

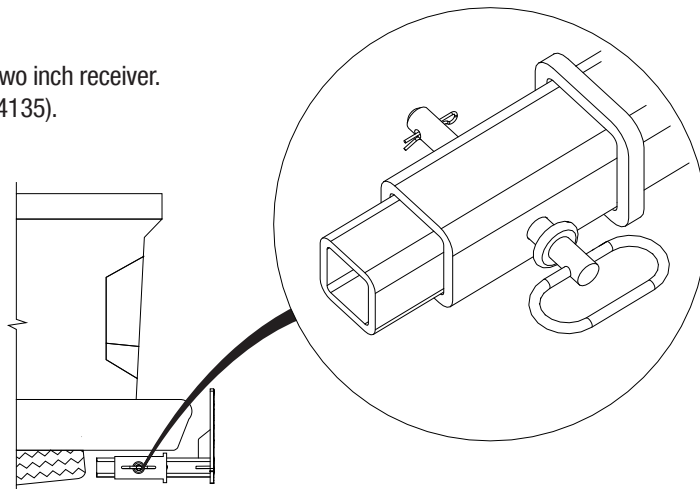
Step3: Fasten Mounting Arms to Spreader Frame using supplied hardware.



Step 4: Insert Adjustable Foot (D6791) into each of the Upright Support Brackets



Step 5: Insert Receiver Mount (F50773) into truck's two inch receiver. Lock in place with Hitch Pin (D4136) and Hair Pin (D4135).



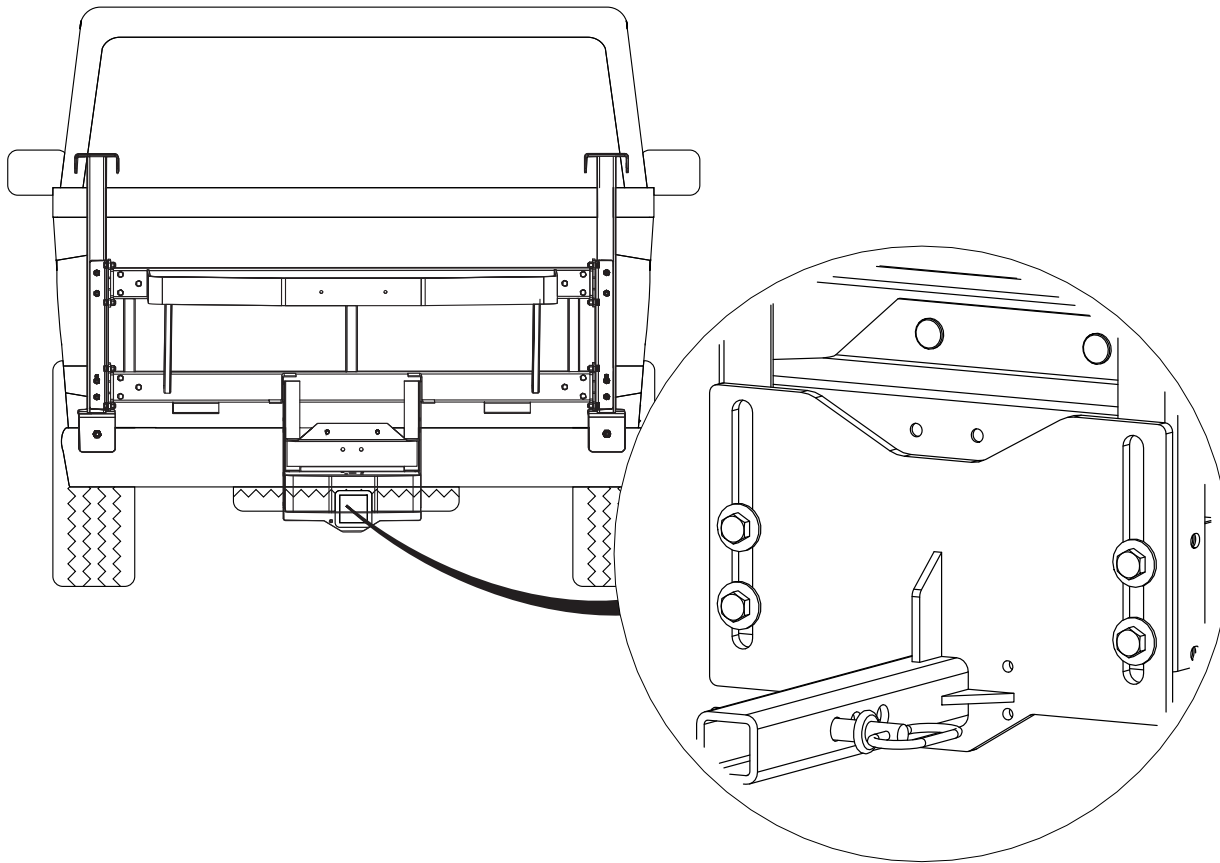
# Installation Instructions



Model # RHT-380

All diagrams are shown with SP-1075 configuration.

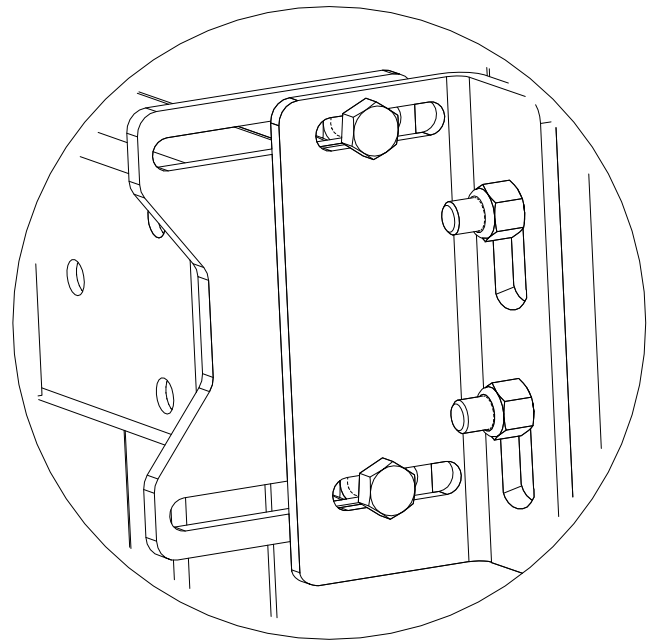
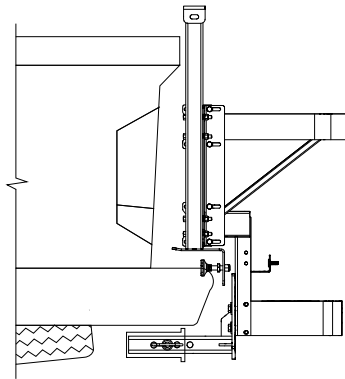
Step 6: Lift [with assistance] Spreader and set on bumper of truck. Hold [one person] Spreader in place; Install hardware [other person] to mount receiver plate to Spreader using the 4 Bolts and 4 Washers from the Hardware Kit. Adjust vertical position using the slots in receiver plate. Adjust so the Upright Supports rest on the bumper and the spreader hangs level and plumb. Tighten.



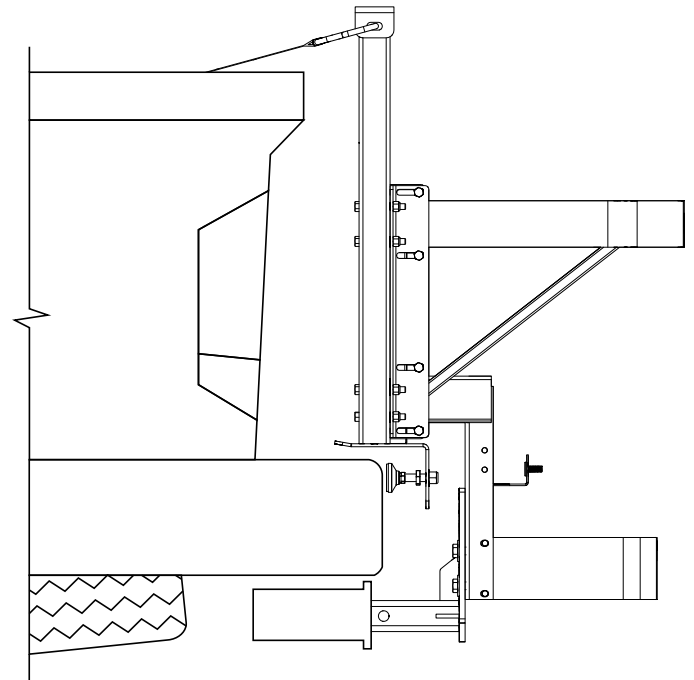
## Installation Instructions

Model # RHT-380

Step 7: Adjust horizontal position of Spreader using slots in Upright Support Brackets. Adjust so the Spreader does not bump the tailgate. Tighten Fasteners. Adjust Adjustable Foot to maintain contact with the bumper and keep the spreader vertical. [Curved or thick tailgates will especially need this adjustment.] The orientation of F50801 Vertical Bracket can be inverted to increase or decrease the amount of adjustment available.



Step 8: Attach Ratchet Straps to the Upright Support Brackets. Tie to an in-bed tie-down point.



---

---

---

---

---

---

---

---

---

---

---

---

---

---

---

---

---

---

---

---

---

---

---

---

---

---









