



7600, 8000, 8600, 9000

Heavy Duty Snowplow

**Blade Assembly 77720, 77725, 77730, 77735,
77720-1, 77725-1, 77730-1, 77735-1**

Big Box Assembly 77820

Parts List

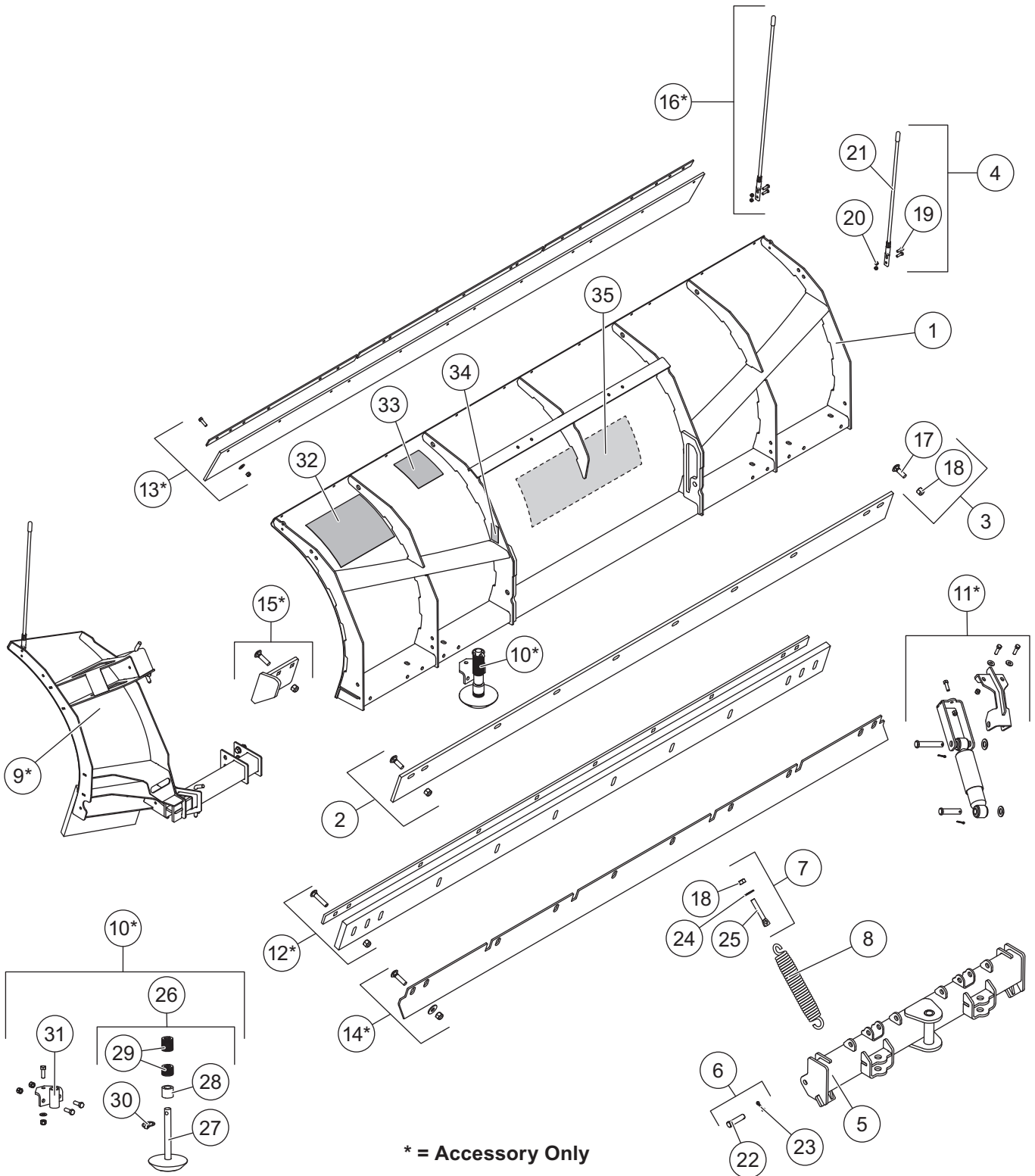


TABLE OF CONTENTS

HEAVY DUTY BLADE ASSEMBLY	4
A-FRAME ASSEMBLY	6
HEADGEAR ASSEMBLY	8
HYDRAULIC AND ELECTRICAL COMPONENTS	10
Hydraulic Unit.....	10
Lift and Angle Rams	12
Hoses and Fittings.....	12
Electrical Components.....	13
VEHICLE-SIDE HARNESS DIAGRAM	14
HEADLAMPS	15

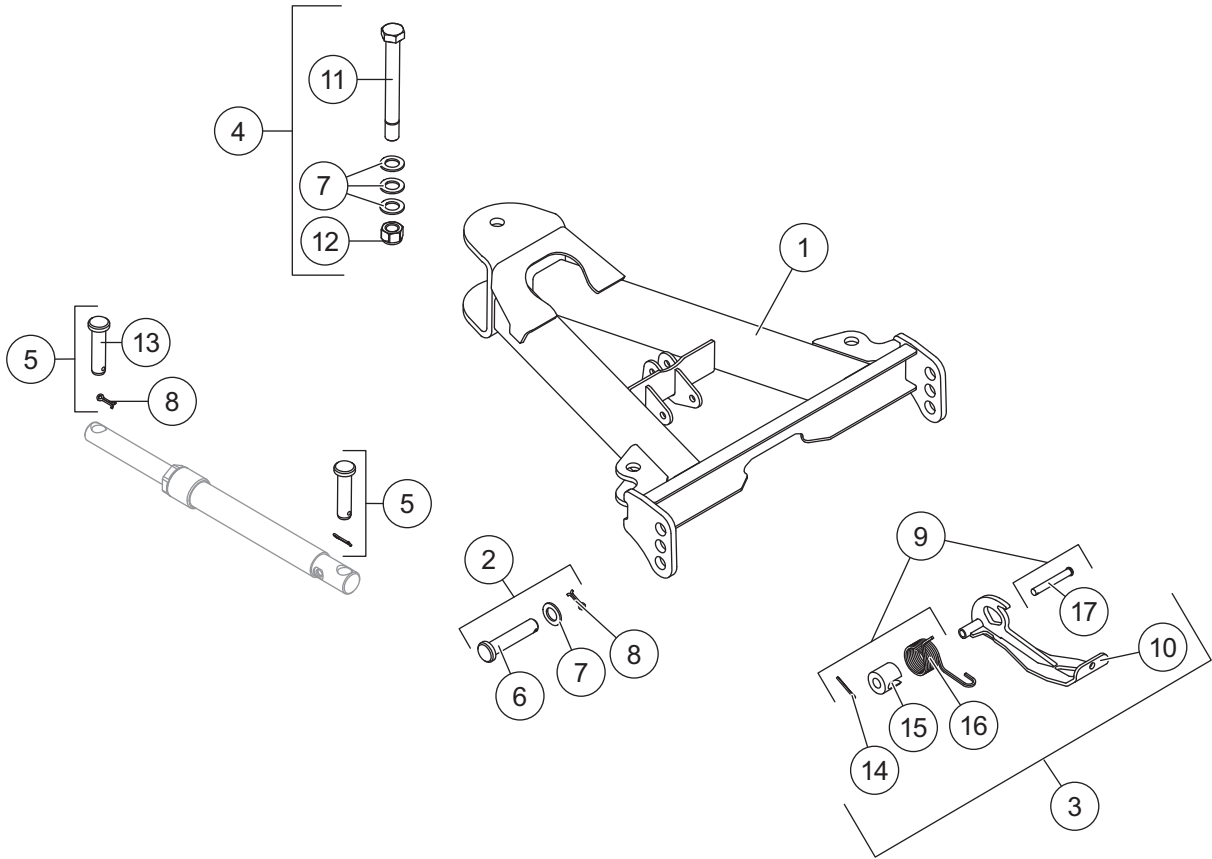
HEAVY DUTY BLADE ASSEMBLY

Blade Components



A-FRAME ASSEMBLY

A-Frame Components

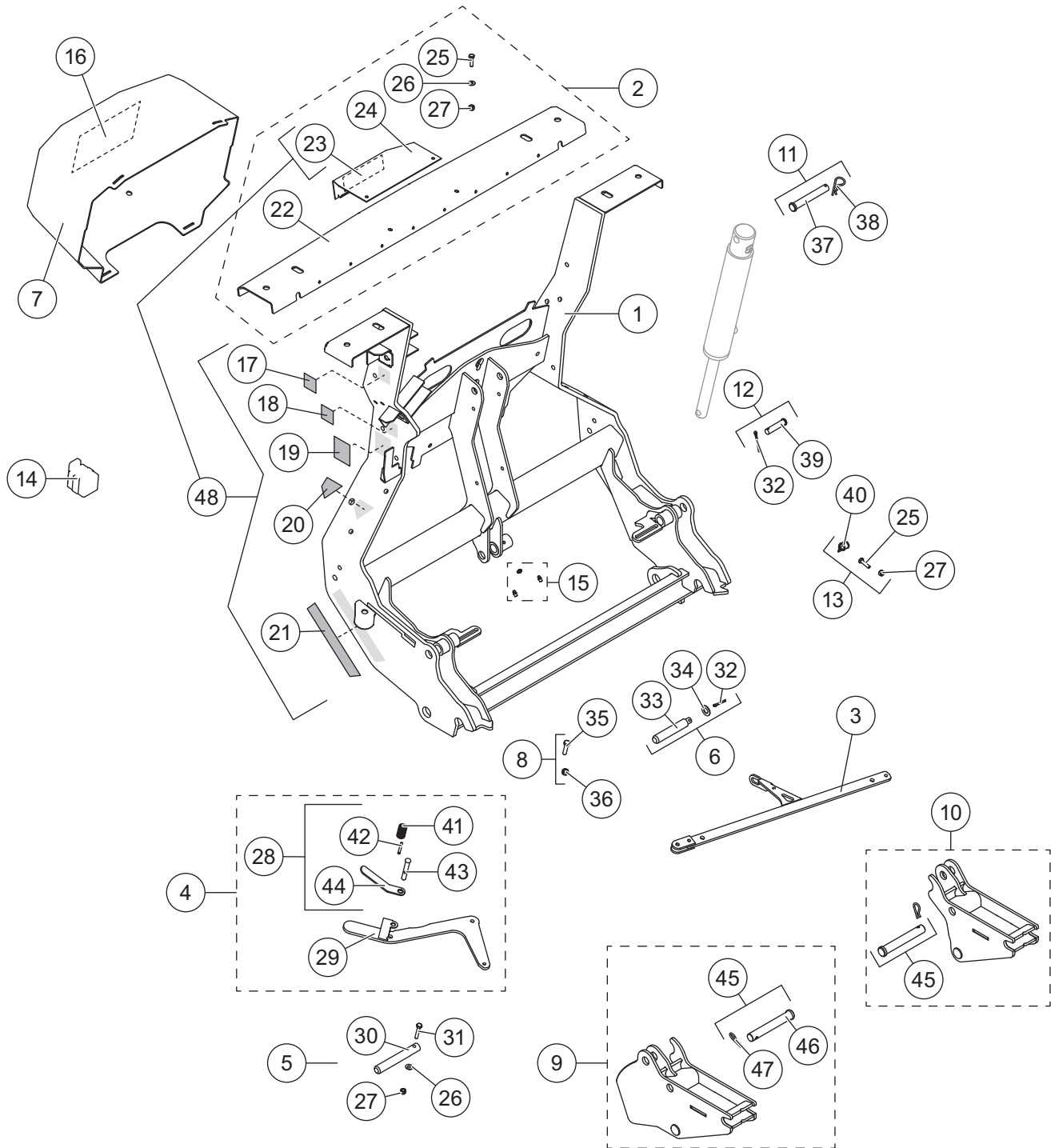


A-FRAME ASSEMBLY

A-Frame Components							
Item	Part	Qty	Description	Item	Part	Qty	Description
1	84589	1	A-Frame	4	84769	1	Pivot Bolt Kit
2	84623	2	A-Frame Pin Kit	5	57968	4	1 x 4 Clevis Pin Kit
3	84593	1	Stand Kit				
Item 2				84623 A-Frame Pin Kit			
6		1	1 x 4-3/4 Clevis Pin	8		1	1/4 x 1-1/2 Cotter Pin
7		1	1" Flat Washer Special				
Item 3				84593 Stand Kit			
9	84615	1	Stand Hardware Kit	10		1	Stand
Item 4				84769 Pivot Bolt Kit			
7		3	1" Flat Washer Special	12		1	1-8 Hex Locknut GB
11		1	1-8 x 9 Hex Cap Screw Special G5				
Item 5				57968 1/4 x 4 Clevis Pin Kit			
8		1	1/4 x 1-1/2 Cotter Pin	13		1	1 x 4 Clevis Pin
Item 9				84615 Stand Hardware Kit			
14		1	5/32 x 1-1/2 Cotter Pin	16		1	Stand Torsion Spring
15		1	Stand Spring Spacer	17		1	1/2 x 3-11/16 Clevis Pin
G = Grade							

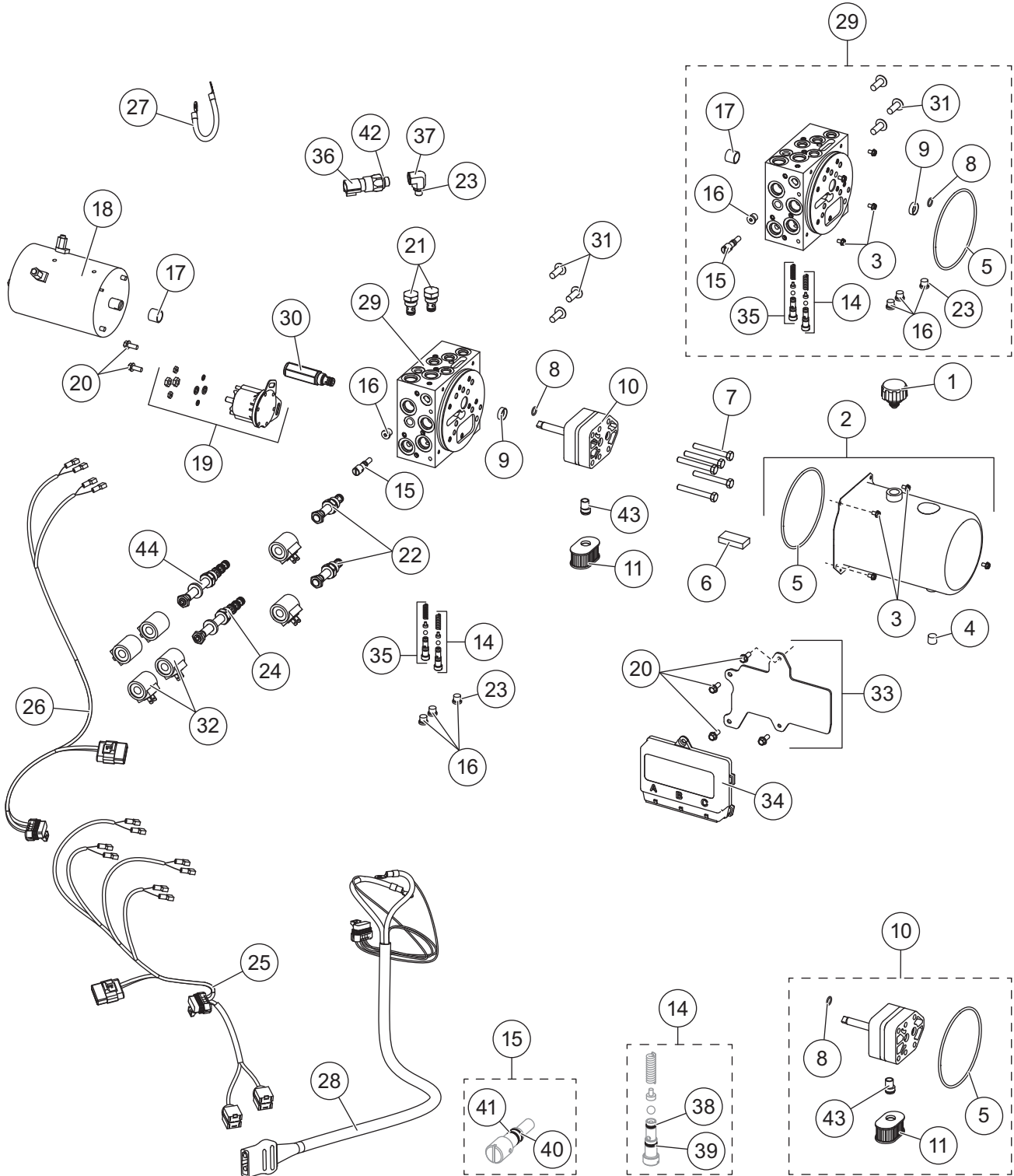
HEADGEAR ASSEMBLY

Headgear Components



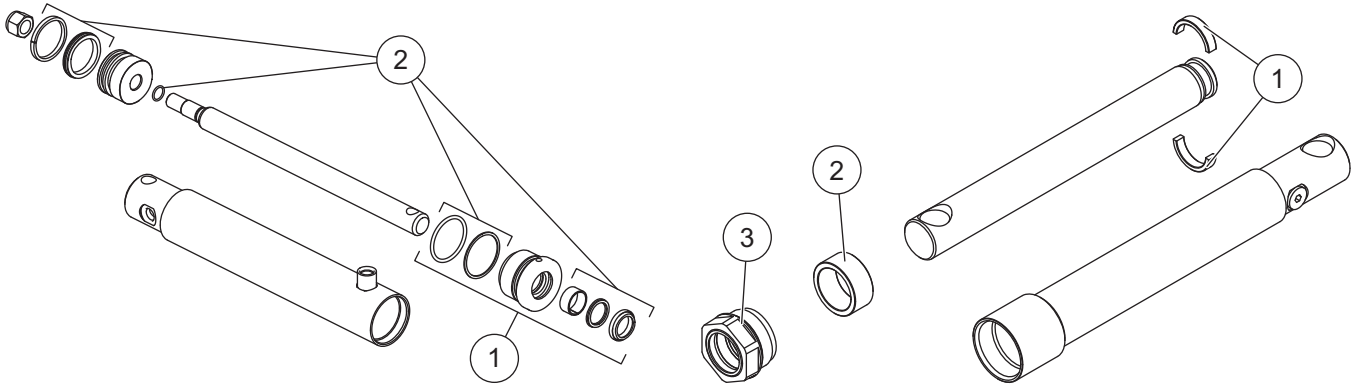
HYDRAULIC AND ELECTRICAL COMPONENTS

Hydraulic Unit Components



HYDRAULIC AND ELECTRICAL COMPONENTS

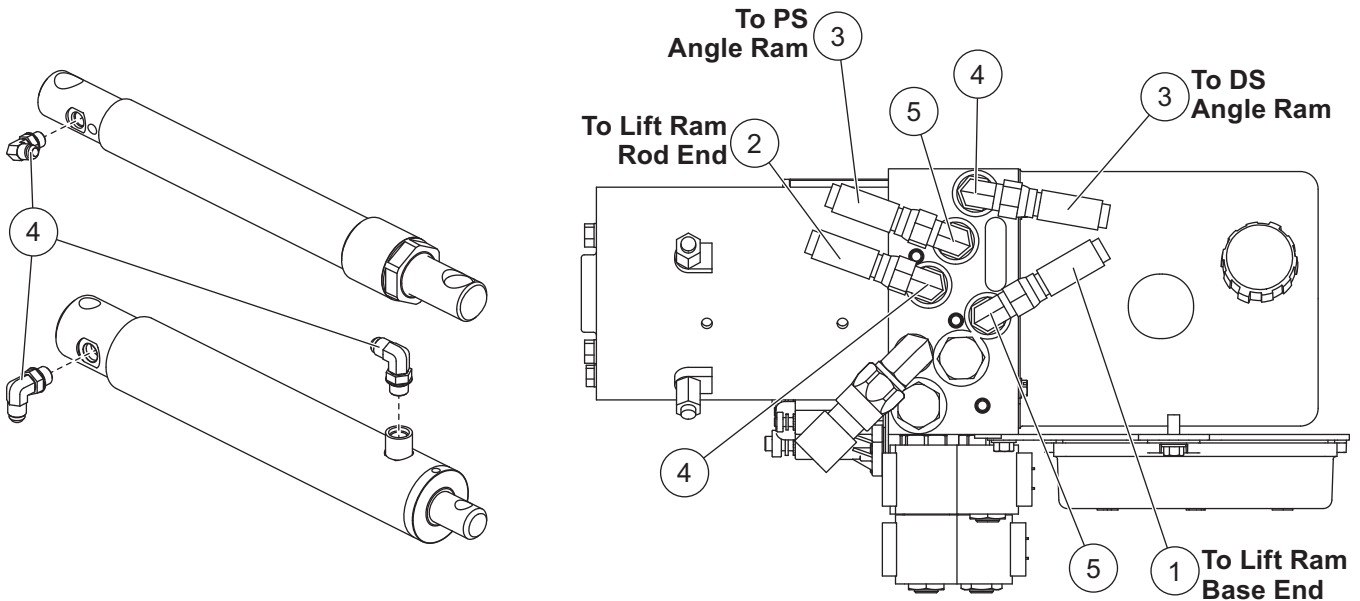
Lift and Angle Ram Components



84420 Lift Ram Assembly 2 x 9-3/4 DA			
Item	Part	Qty	Description
1	49499	1	1" Gland Assembly
2	48520	1	Seal Kit 2" DA Ram

84421 Angle Ram Assembly 1-1/2 x 12			
Item	Part	Qty	Description
1	57879	1	Split Bearing Kit
2	56537	1	Spacer
3	48985	1	Gland Nut Assembly

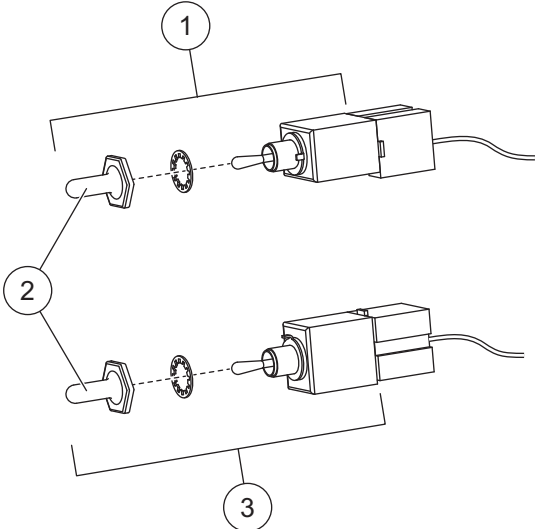
Hoses and Fittings



Hoses and Fittings							
Item	Part	Qty	Description	Item	Part	Qty	Description
1	84446	1	Hose, 1/4 x 14 w/F JIC Ends	5	40572	2	Elbow, Extra Long 90° -6 M JIC/-6 M ORB
2	84453	1	Hose, 1/4 x 20 w/F JIC Ends	ns	56823	1	Hose Wrap
3	52304	2	Hose, 3/8 x 36 w/F JIC Ends				
4	40571	6	Elbow, 90° -6 M JIC/-6 M ORB				
			F = Female			ns = not shown	M = Male

HYDRAULIC AND ELECTRICAL COMPONENTS

Electrical Components

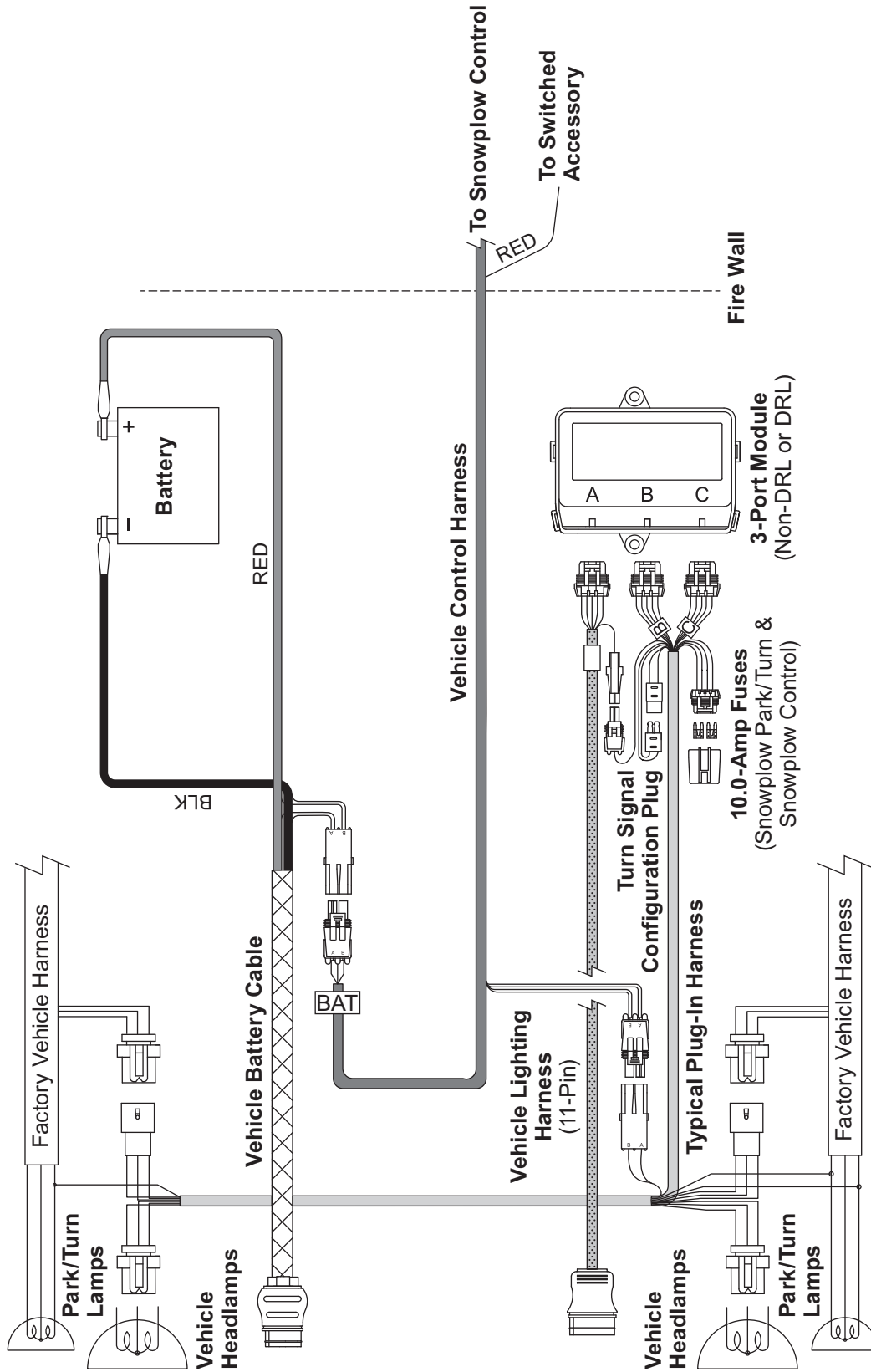


Plow-Side Electrical Components							
Item	Part	Qty	Description	Item	Part	Qty	Description
1	40575	1	Toggle Switch (MOM-ON, OFF, ON)	3	40576	1	Toggle Switch (MOM-ON, OFF, MOM-ON)
2	48259	2	Switch Boot				
Vehicle-Side Electrical Components							
*	42014	1	Vehicle Battery Cable	ns	48325	2	Plug Cover
*	28587	1	Vehicle Control Harness				
ns = not shown							

* For diagram see Vehicle-Side Harness Diagram.

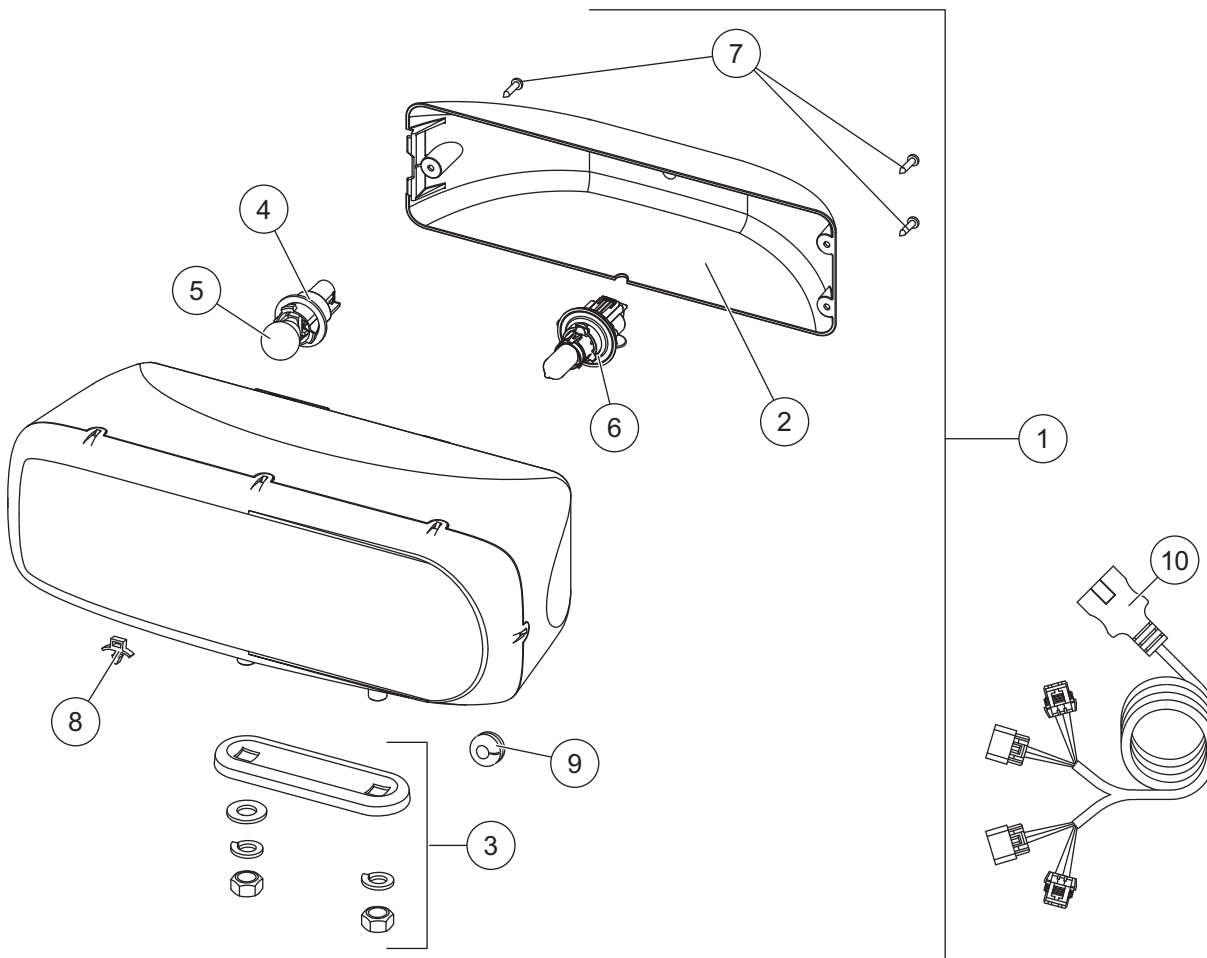
VEHICLE-SIDE HARNESS DIAGRAM

Vehicle-Side Harness Diagram



HEADLAMPS

Headlamp Components



28800-1 Headlamp Kit (Pair)

Item	Part	Qty	Description	Item	Part	Qty	Description
1	28802-1	1	Headlamp Service Kit – PS	6	28806	2	H13 Headlamp Bulb Service Kit
ns	28801-1	1	Headlamp Service Kit – DS	7	28808-1	2	Cover Screws Service Kit (3 screws)
2	28803-1	2	Rear Cover Kit (fits 2- or 3-screw)	8	56595	6	Cable Anchor Tie
3	28804	2	Mounting Hardware Kit	9	66130	2	Rubber Grommet
4	28805	2	Park/Turn Socket Service Kit	10	28213K	1	Harness Service Kit
5		2	Park/Turn Bulb (Trade No. 4157NAK)				

ns = not shown



TrynEx International, LLC
531 Ajax Drive
Madison Heights, MI 48071-2429
www.snowexproducts.com

 A DIVISION OF DOUGLAS DYNAMICS, LLC

Copyright © 2016 Douglas Dynamics, LLC. All rights reserved. This material may not be reproduced or copied, in whole or in part, in any printed, mechanical, electronic, film or other distribution and storage media, without the written consent of TrynEx International, LLC. Authorization to photocopy items for internal or personal use by TrynEx International, LLC outlets or snowplow owner is granted.

TrynEx International, LLC reserves the right under its product improvement policy to change construction or design details and furnish equipment when so altered without reference to illustrations or specifications used. TrynEx International, LLC or the vehicle manufacturer may require or recommend optional equipment for snow removal. Do not exceed vehicle ratings with a snowplow. TrynEx International, LLC offers a limited warranty for all snowplows and accessories. See separately printed page for this important information. The following are registered (®) or unregistered (™) trademarks of Douglas Dynamics, LLC: Automatix®, SECURITY GUARD™, SnowEx®.

Printed in U.S.A.