



PRO PLUS[®] Snowplow
Blades 76901, 76974, 76980
H,A&L 75600
H,A&L, Central Hydraulics 75610
Parts List

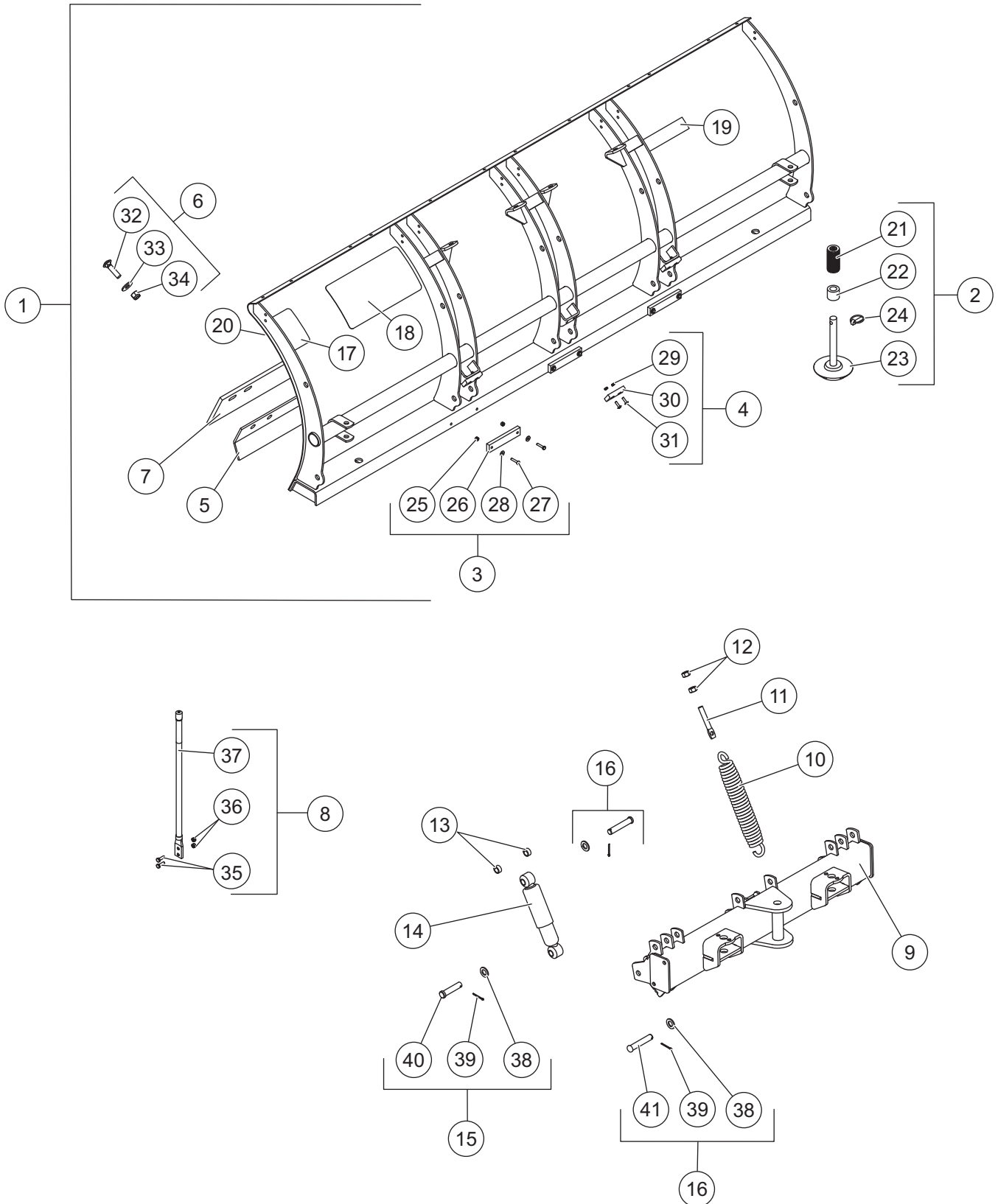


TABLE OF CONTENTS

PRO PLUS® BLADE COMPONENTS	4
PRO PLUS HYDRAULICS, A-FRAME, AND LIFT FRAME (H,A&L) ASSEMBLY	6
Lift Frame and A-Frame.....	6
Hydraulic Unit.....	8
Lift and Angle Rams	10
Hoses and Fittings	10
Electrical Components.....	11
Vehicle-Side Harness Diagram – 3-Port, 2-Plug System.....	12
Vehicle-Side Wiring Diagram – Central Hydraulics	13
Headlamp Kit	14

PRO PLUS® BLADES 76901/76974/76980

Blade Components

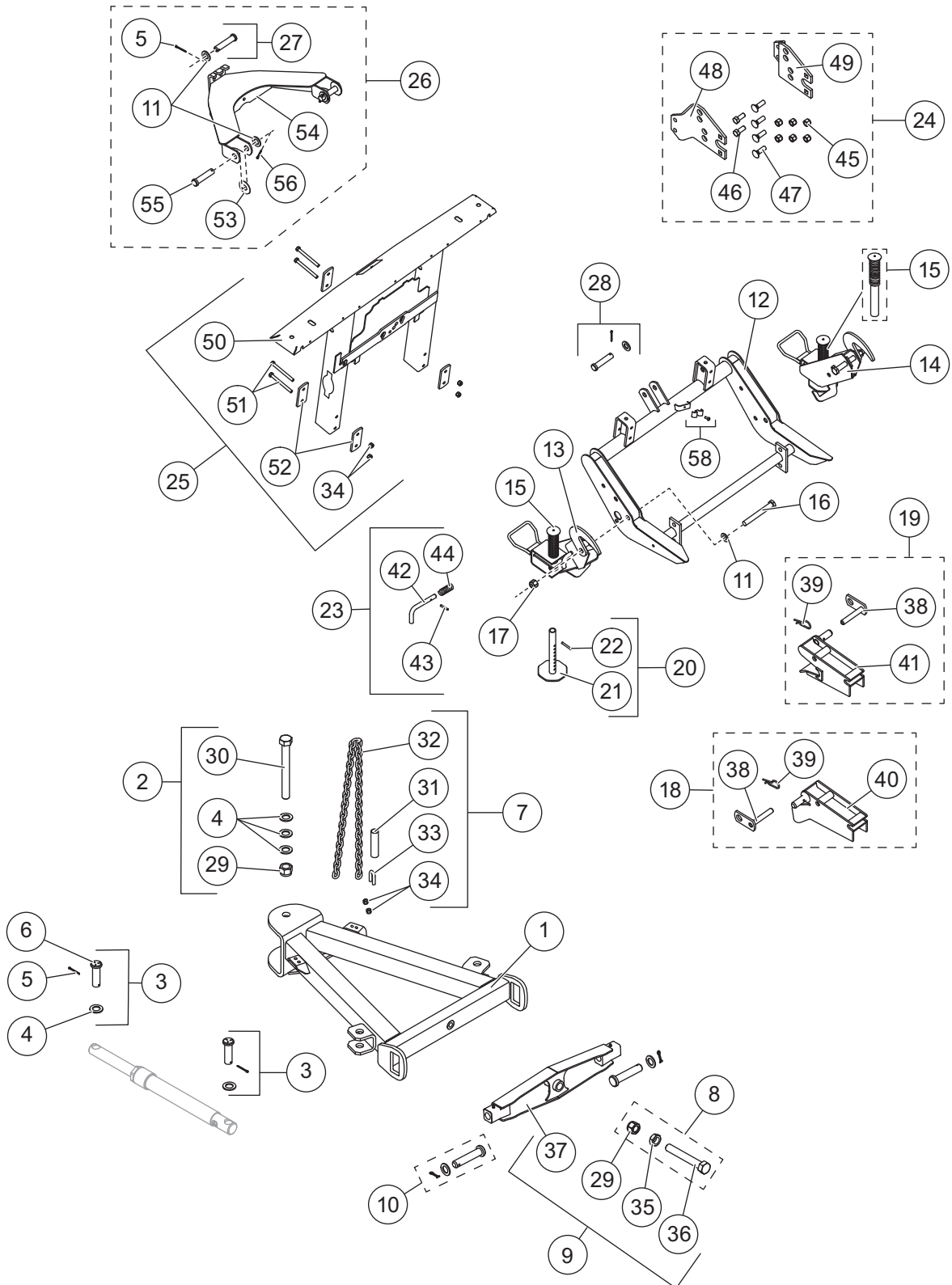


PRO PLUS® BLADES 76901/76974/76980

PRO PLUS Blade Components							
Item	Part	Qty	Description	Item	Part	Qty	Description
1	66901		9.0' Blade Assembly	8	62595		Blade Guide Kit
	66974		8.5' Blade Assembly	9	66930-1		Quadrant
	66980		8.0' Blade Assembly	10	23039		Trip Spring
2	49071		Shoe Kit	11	90490		5/8-11 x 4 Eyebolt
3	63977		Trip Stop Kit	12	91416		5/8-11 Hex Nut G5
4	63976		Push Stop Kit	13	63211		Spacer .758 ID x 1 OD x .5 LG
5†	66991		9.0' Back Drag Edge	14	63979		Shock Absorber
	66999		8.5' Back Drag Edge	15	93063K		3/4 x 3-1/4 Clevis Pin Kit
	66892		8.0' Back Drag Edge	16	95335		3/4 x 4 Clevis Pin Kit
6	29351		Cutting/Back Drag Edge Bolt Bag	ns	28548		Blade Label Kit, UltraMount®
7	63990		9.0' Cutting Edge Kit (incl. item 6)				
	63985		8.5' Cutting Edge Kit (incl. item 6)				
	63980		8.0' Cutting Edge Kit (incl. item 6)				
Item 2				49071 Shoe Kit			
21	91192	29	Round Flat Washer Special	23		1	Heavy-Duty Disc Shoe
22	60045	1	Spacer	24	93010K	1	7/16 x 1-3/4 Linchpin
Item 3				63977 Trip Stop Kit			
25		2	1/4-20 Hex Locknut G5	27		2	1/4-20 x 1-1/4 Hex Cap Screw G5
26		1	Bumper	28		2	1/4 Flat Washer
Item 4				63976 Push Stop Kit			
29		2	1/4-20 Hex Jam Locknut GB	31		2	1/4-20 x 3/4 Button Cap Screw
30		1	Bumper				
Item 6				29351 Cutting/Back Drag Bolt Bag			
32	63986	10	5/8-11 x 2-1/2 Carriage Bolt G5	34	91337	10	5/8-11 Hex Locknut GB
33	90576	10	5/8 Hardened Flat Washer				
Item 8				62595 Blade Guide Kit			
35	68494	4	5/16-18 x 1 Hex Cap Screw G5	37	62578	2	Blade Guide, Poly 24" w/Label
36	91332	4	5/16-18 Hex Locknut GB				
Item 15				93063K 3/4 x 3-1/4 Clevis Pin Kit			
38	91147	1	3/4 Flat Washer	40	96063	1	3/4 x 3-1/4 Clevis Pin
39	91911K	1	5/32 x 1-1/2 Cotter Pin Kit				
Item 16				95335 3/4 x 4 Clevis Pin Kit			
38	91147	1	3/4 Flat Washer	41	66950	1	3/4 x 4 Clevis Pin
39	91911K	1	5/32 x 1-1/2 Cotter Pin Kit				
ns				28548 Blade Label Kit, UltraMount			
17	59900	1	Label – Warning/Caution, Snowplows	19	28404	1	Label – ULTRAFINISH™
18	67796	1	Label – UltraMount Attach/Detach	20	28548	1	Label – CONTRACTOR GRADE®
		ns = not shown				† = Accessory Only	
						G = Grade	

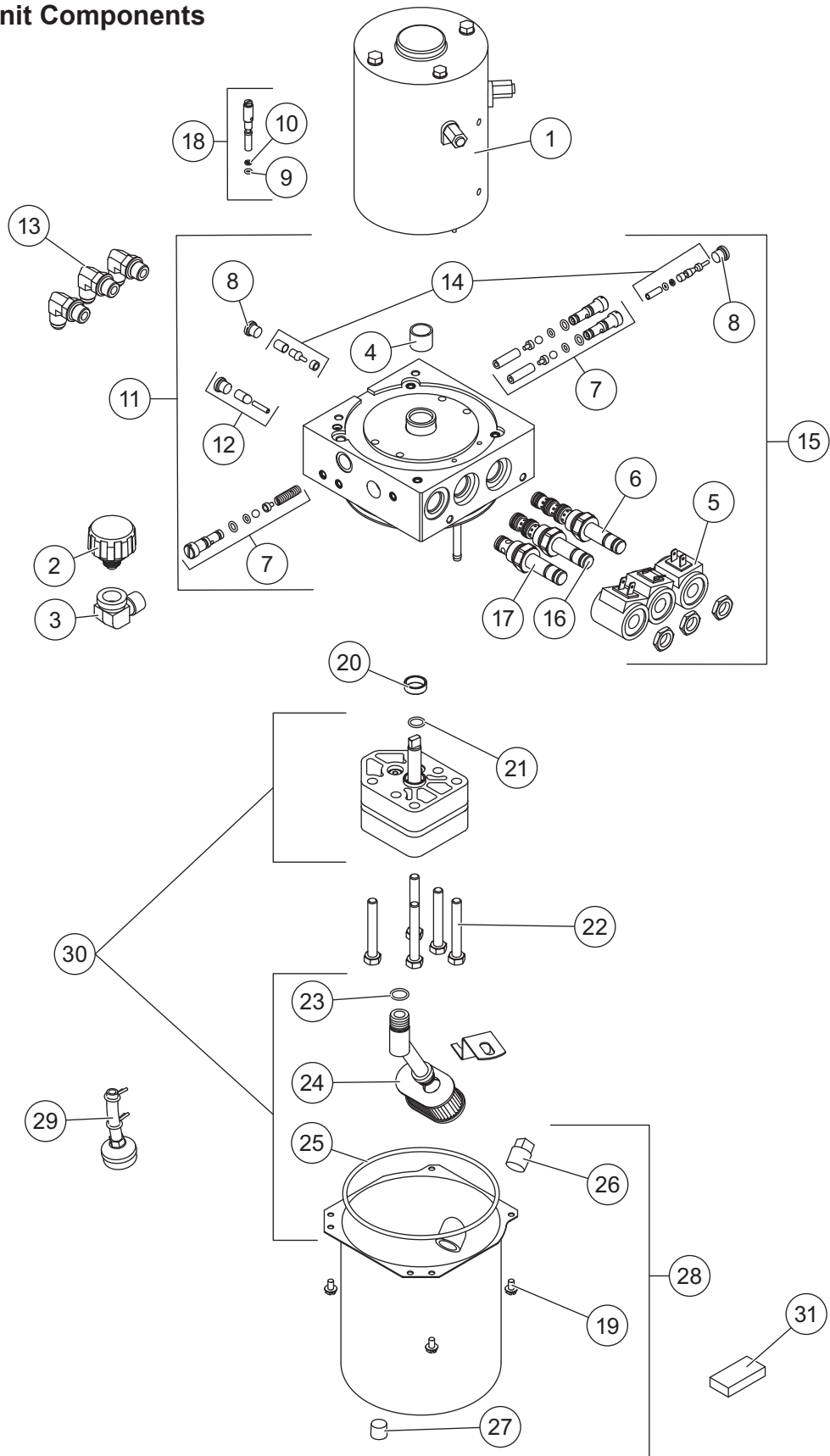
PRO PLUS® H,A&L CENTER ASSEMBLY 75600/75610(CH)

Lift Frame and A-Frame Components



PRO PLUS[®] H,A&L CENTER ASSEMBLY 75600

Hydraulic Unit Components



PRO PLUS® H,A&L CENTER ASSEMBLY 75600

42345 Hydraulic Unit							
42348 Hydraulic Unit Service Kit*							
(Not used for Central Hydraulics)							
Item	Part	Qty	Description	Item	Part	Qty	Description
1	21500-1	1	Motor, 4-1/2"	17	49227K-2	1	Valve, 2-Way w/Nut
2	21727-2	1	Breather Pressure Control	18	56662	1	Quill Assembly
3	21726	1	Elbow, Street 90° 3/8 M NPTF/3/8 F NPTF	19	66607	4	10-24 x 5/16 Machine Screw Slotted Hex Washer Head
4**	64596-1	1	Sleeve Bearing & Shaft Seal Kit	20‡	66515	1	Pump Shaft Seal
5	49230K-2	3	Coil w/Spades	21	56274	1	O-Ring – 013
6	49229K-1	1	Cartridge Valve, 4-Way w/Nut	22	90073	5	5/16-18 x 2-1/4 Hex Cap Screw
7	49138K-3	1	Relief Valve Kit (2 sets)	23	56416	1	O-Ring – 014
8	92960	2	Plug, Hex Socket –3 M ORB	24	56789-3	1	Suction Filter
9	25622	1	O-Ring – 006	25	66519	1	O-Ring – 2-250
10	56315	1	Back-Up Ring – 006	26	92079	1	Plug, Square 3/8 NPTF
11	42346	1	Manifold Assembly	27	92095	1	Plug, Hex Socket 1/4 NPTF w/Thread Sealant – SAE 130109N/P
12	56507	1	Bypass Check Valve Kit				
13	56615-1	3	Elbow, 90° –6 M JIC/–6 M ORB	28	21830	1	Reservoir Kit
14	49226K	1	Poppet Check Valve Kit	29	66405	1	Return Screen Assembly
15	42347	1	Valve Manifold Assembly	30	21501-1	1	Hydraulic Pump Kit
16	66608-1	1	Cartridge Valve, 3-Way w/Nut	31	73897	1	Magnet
O-Ring Service Kits							
–	56657-3	–	O-Ring & Back-Up Ring Kit	–	49259-2	–	Seal Kit, 3-Way & 4-Way Valve
–	49258-2	–	Seal Kit, 2-Way Valve				

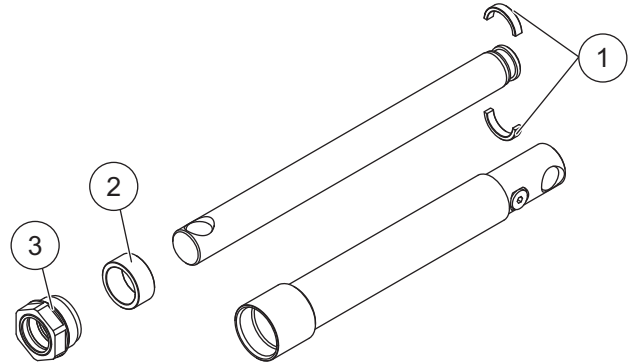
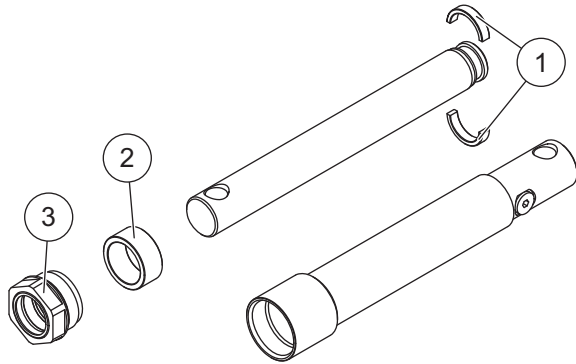
* Includes 42345 Hydraulic Unit and Plow-Side Electrical Components (p. 11).

** Use 64589 tool for bearing sleeve replacement (includes 1 bearing).

‡ Use 28856 tool for pump shaft seal replacement (includes 1 seal).

PRO PLUS® H,A&L CENTER ASSEMBLY 75600/75610(CH)

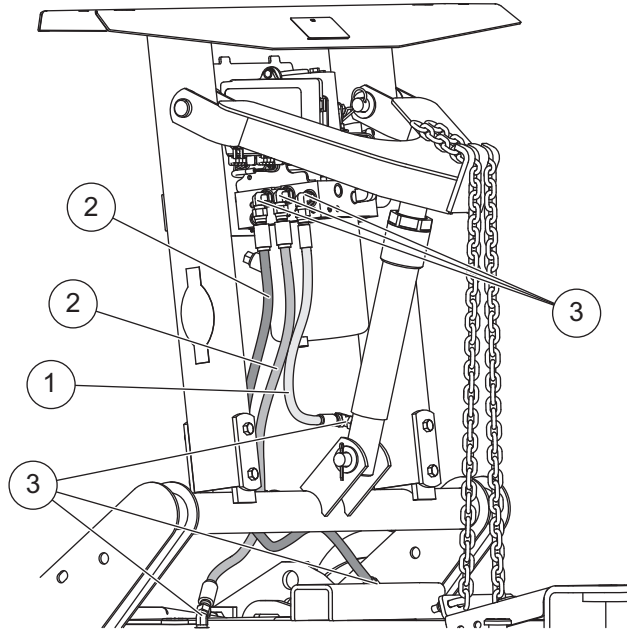
Lift and Angle Ram Components



56538K Lift Ram Assembly 1-1/2 x 8			
Item	Part	Qty	Description
1	64650	1	Split Bearing Kit 1-1/2"
2	56537	1	Spacer
3	48985	1	Gland Nut Assembly

64148 Angle Ram Assembly 1-1/2 x 12			
Item	Part	Qty	Description
1	64650	1	Split Bearing Kit 1-1/2"
2	56537	1	Spacer
3	48985	1	Gland Nut Assembly

Hoses and Fittings

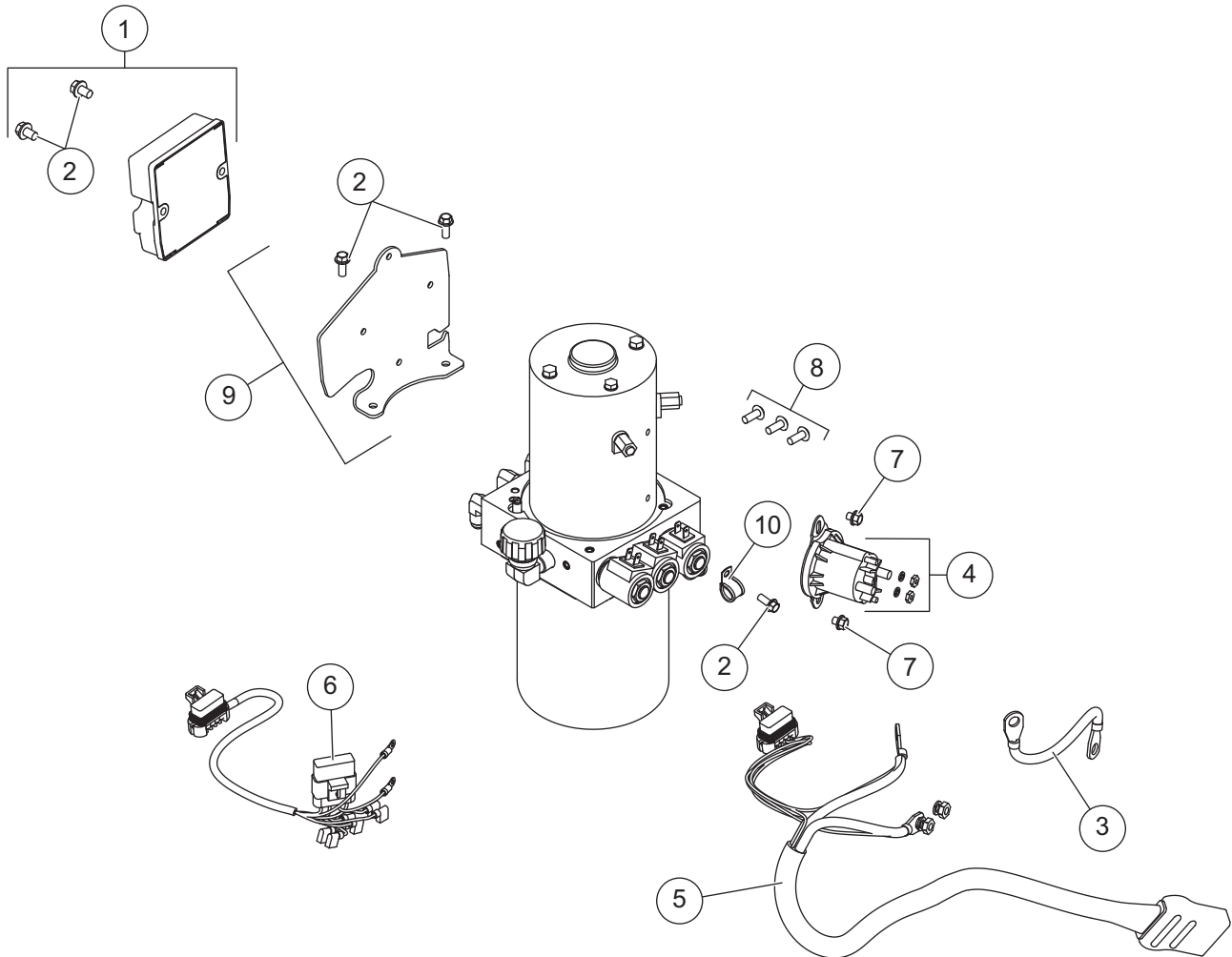


Hoses and Fittings							
Item	Part	Qty	Description	Item	Part	Qty	Description
1†	41094	1	Hose, 1/4 x 18 Kit w/F JIC Ends	3	56615-1	4	Elbow, 90° -6 M JIC/-6 M ORB
2†	49532	2	Hose, 3/8 x 36 Kit w/F JIC Ends	4	26694	2	Elbow, 45° -6 M JIC/-6 M ORB
F = Female				M = Male or Metric			

† Not used for Central Hydraulics.

PRO PLUS® H,A&L CENTER ASSEMBLY 75600/75610(CH)

Electrical Components



Plow-Side Electrical Components							
Item	Part	Qty	Description	Item	Part	Qty	Description
1	49567	1	Plow Module, 2-Port	7	29099	2	1/4-20 x 1/4 Hex Washer-Head Thread-Rolling Screw
2	44355	5	1/4-20 x 5/8 Hex Washer-Head Thread-Rolling Screw	8	98043	3	3/8-16 x 1 Button Cap Screw
3	29071	1	Cable Assembly 8"	9	42287	1	Bracket – Plow Module
4	42902	1	Motor Relay Kit FLEET FLEX	10	65340	1	Clamp Loop #10
5	42015	1	Snowplow Battery Cable	ns	61246	1	Cable Boot
6	28581-1	1	Harness Plow Control, 3-Solenoid	ns	56099	1	Dielectric Grease
Vehicle-Side Electrical Components							
* †	42014	1	Vehicle Battery Cable	ns	61548K	1	Plug Cover Kit
* †	28587	1	Vehicle Control Harness				
ns**	26498	1	Vehicle Control Harness – Central Hydraulics				

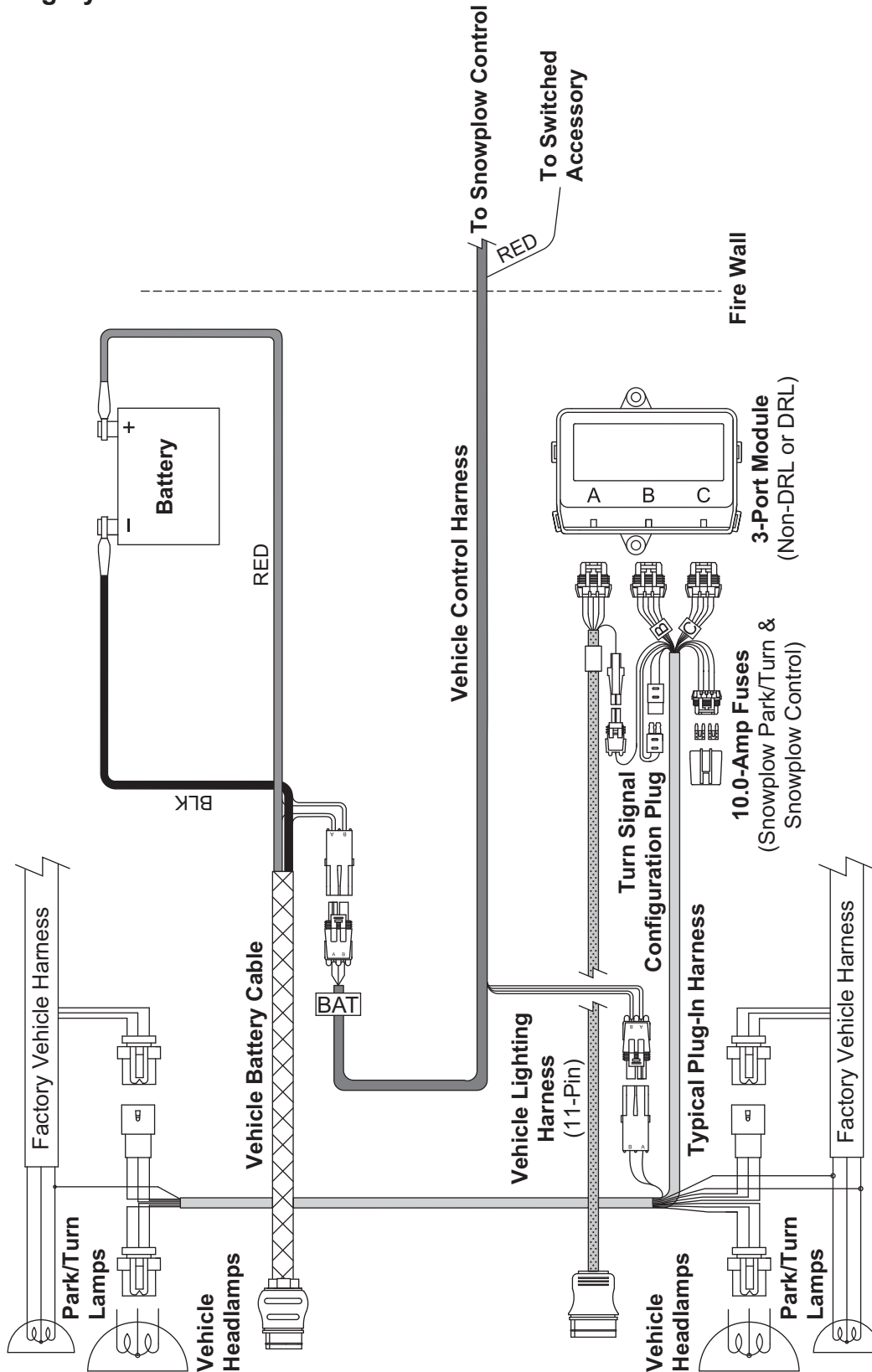
ns = not shown

* For diagram, see Vehicle-Side Harness Diagram.

** For diagram, see Vehicle-Side Harness Diagram – Central Hydraulics.

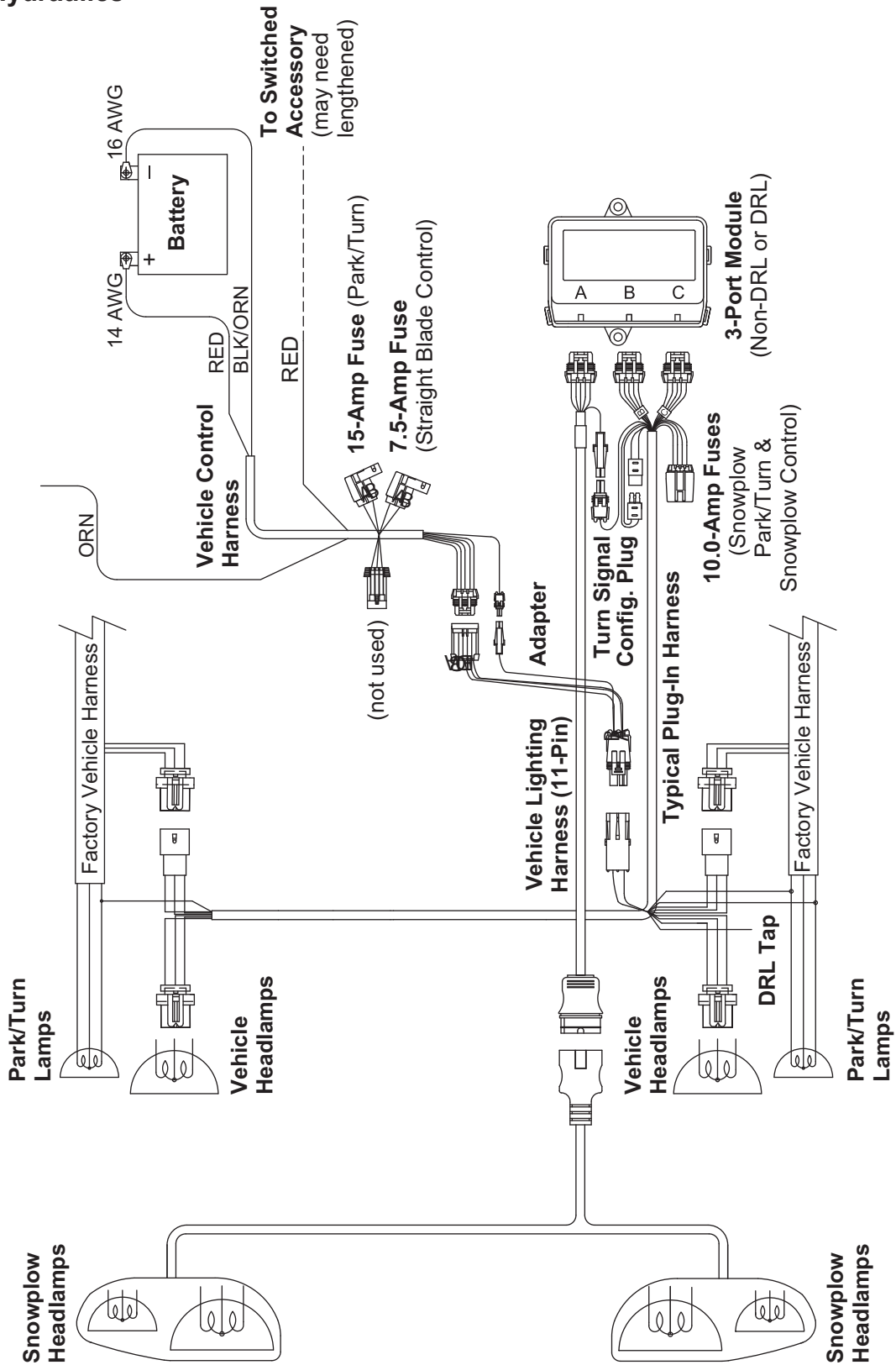
† Not used for Central Hydraulics.

Vehicle-Side Harness Diagram
3-Port, 2-Plug System



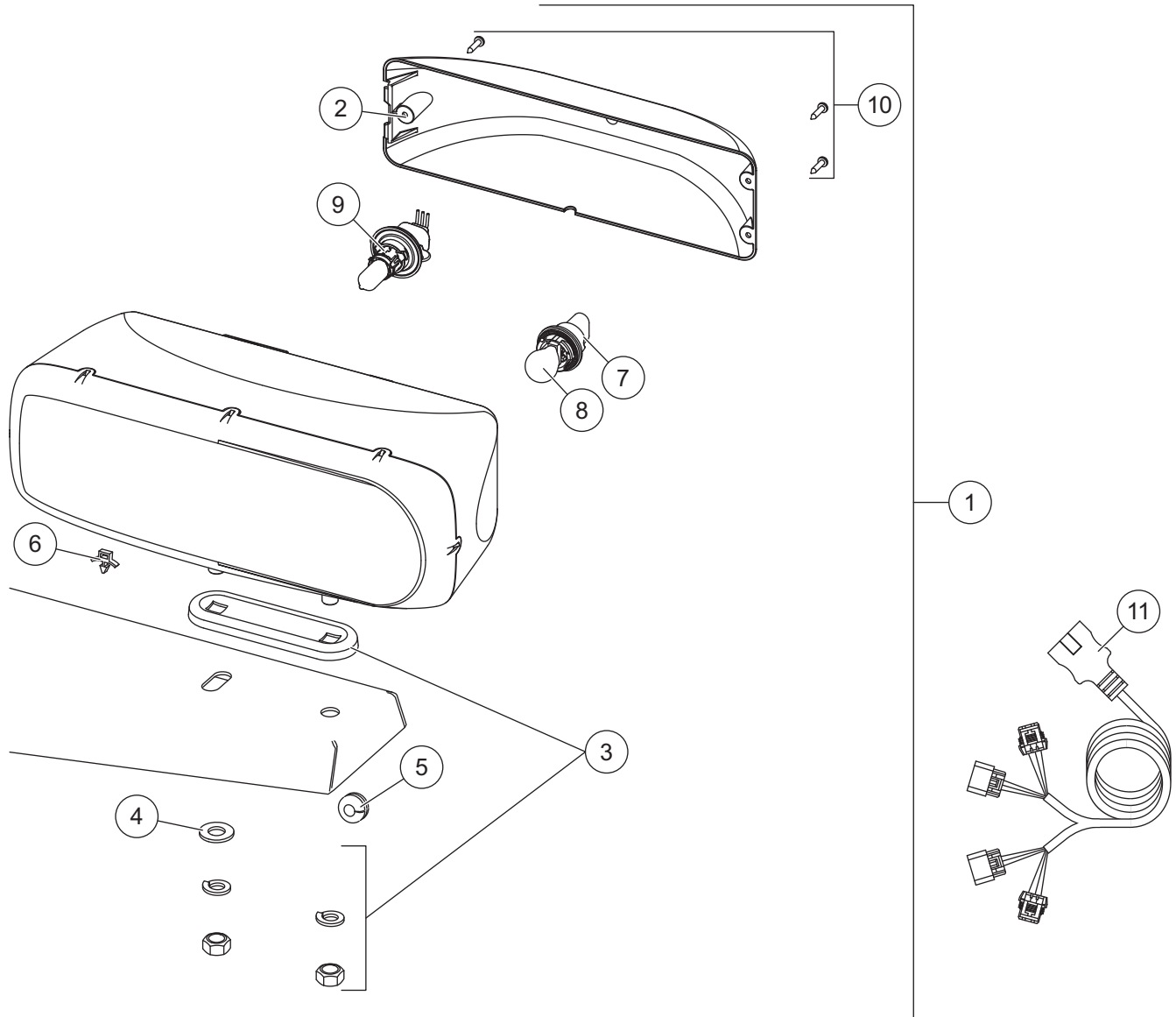
PRO PLUS® H,A&L CENTER ASSEMBLY 75610(CH)

Vehicle-Side Harness Diagram Central Hydraulics



PRO PLUS® H,A&L CENTER ASSEMBLY 75600/75610(CH)

Headlamp Kit



28800-1 Headlamp Kit (Pair)

Item	Part	Qty	Description	Item	Part	Qty	Description
1	28801-1	1	Headlamp Service Kit – DS	6	56595	7	Cable Tie Anchor
ns	28802-1	1	Headlamp Service Kit – PS	7	28805	2	Park/Turn Socket Service Kit
2	28803-1	2	Rear Cover Kit (fits 2- or 3-screw)	8		2	Park/Turn Bulb (trade no. 4157NAK)
3	28804	2	Mounting Hardware Kit	9	28806	2	H13 Headlamp Bulb Service Kit
4	4433	2	1/2 Flat Washer – Type B, Wide	10	28808-1	2	Cover Screws Service Kit (pkg of 3)
5	66130	2	Rubber Grommet	11	28213W	1	Harness Service Kit

ns = not shown





Western Products
PO Box 245038
Milwaukee, WI 53224-9538
www.westernplows.com

 A DIVISION OF DOUGLAS DYNAMICS, LLC

Copyright © 2013 Douglas Dynamics, LLC. All rights reserved. This material may not be reproduced or copied, in whole or in part, in any printed, mechanical, electronic, film or other distribution and storage media, without the written consent of Western Products. Authorization to photocopy items for internal or personal use by Western Products outlets or snowplow owner is granted.

Western Products reserves the right under its product improvement policy to change construction or design details and furnish equipment when so altered without reference to illustrations or specifications used. Western Products or the vehicle manufacturer may require or recommend optional equipment for snow removal. Do not exceed vehicle ratings with a snowplow. Western Products offers a limited warranty for all snowplows and accessories. See separately printed page for this important information. The following are registered (®) or unregistered (™) trademarks of Douglas Dynamics, LLC: CONTRACTOR GRADE®, PRO PLUS®, ULTRAFINISH™, UltraMount®, WESTERN®.

Printed in U.S.A.