



Fisher Engineering

83180, 83185

50 Gordon Drive, Rockland, Maine 04841-2139 • www.fisherplows.com

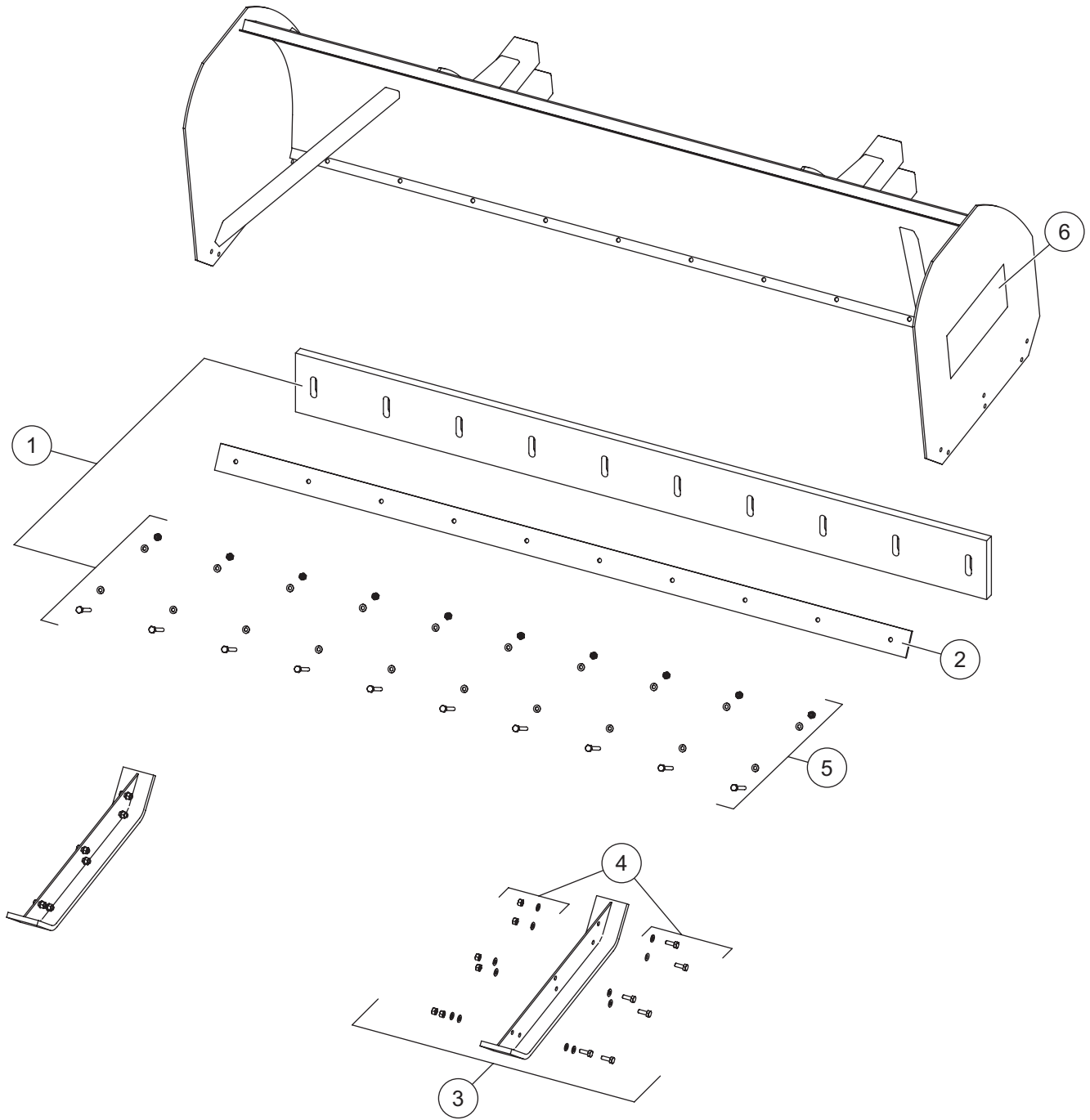
November 1, 2013
Lit. No. 43690, Rev. 01

**STORM
BOXX™**



STORM BOXX™ Snowplow
Box Plow for Backhoe Loaders
Parts List

Blade Components



83180/83185 Blade Components							
Item	Part	Qty	Description	Item	Part	Qty	Description
1	72056	1	10' Rubber Cutting Edge Kit (incl. item 5)	ns*	83176	1	Label, STORM BOXX – 10' Blade Front
	72057	1	12' Rubber Cutting Edge Kit (incl. item 5)	ns*	83191	1	Label, STORM BOXX – 12' Blade Front
2	72066	1	10' Bolting Bar	ns*	72049	2	Wear Shoe Kit – Super Duty (incl. item 4)
	72067	1	12' Bolting Bar				
3	72047	2	Wear Shoe Kit – Standard (incl. item 4)	ns*	72052	2	Wear Shoe Kit – Self Leveling, Standard (incl. item 4)
4	72063	2	Wear Shoe Hardware Kit	ns*	72054	2	Wear Shoe Kit – Self Leveling, Super Duty (incl. item 4)
5	72064	1	Cutting Edge Hardware Kit				
6	83171	2	Label, STORM BOXX™	ns*	72069	1	Level Gauge
ns	72042	1	Binder Kit				
Item 4				72063 Wear Shoe Hardware Kit			
		6	5/8-11 x 2 Hex Cap Screw G5			12	5/8 Flat Washer
		6	5/8-11 Hex Locknut GB				
Item 5				72064 Cutting Edge Hardware Kit			
		16†	1/2-13 x 3-1/2 Hex Cap Screw G5			32†	1/2 Flat Washer
		16†	1/2-13 Hex Locknut GB				
				72042 Binder Kit			
ns		2	3/8 x 60 P70 Transport Chain	ns		1	3/8 Heavy Duty Ratchet Binder
ns		2	5/16 Grab Hook	ns		2	3/8 Clevis Attachments
ns = not shown				* = Accessory Only		G = Grade	

† Not all fasteners used for all blade sizes.

Copyright © 2013 Douglas Dynamics, LLC. All rights reserved. This material may not be reproduced or copied, in whole or in part, in any to photocopy items for internal or personal use by Fisher Enginee printed, mechanical, electronic, film or other distribution and storage media, without the written consent of Fisher Engineering. Authorization ring outlets or snowplow owner is granted.

Fisher Engineering reserves the right under its product improvement policy to change construction or design details and furnish equipment when so altered without reference to illustrations or specifications used. Fisher Engineering or the vehicle manufacturer may require or recommend optional equipment for snow removal. Do not exceed vehicle ratings with a snowplow. Fisher Engineering offers a limited warranty for all snowplows and accessories. See separately printed page for this important information. The following are registered (®) or unregistered (™) trademarks of Douglas Dynamics, LLC: FISHER®, STORM BOXX™.

Printed in U.S.A.
