



Fisher Engineering

85202

50 Gordon Drive, Rockland, Maine 04841-2139 • www.fisherplows.com

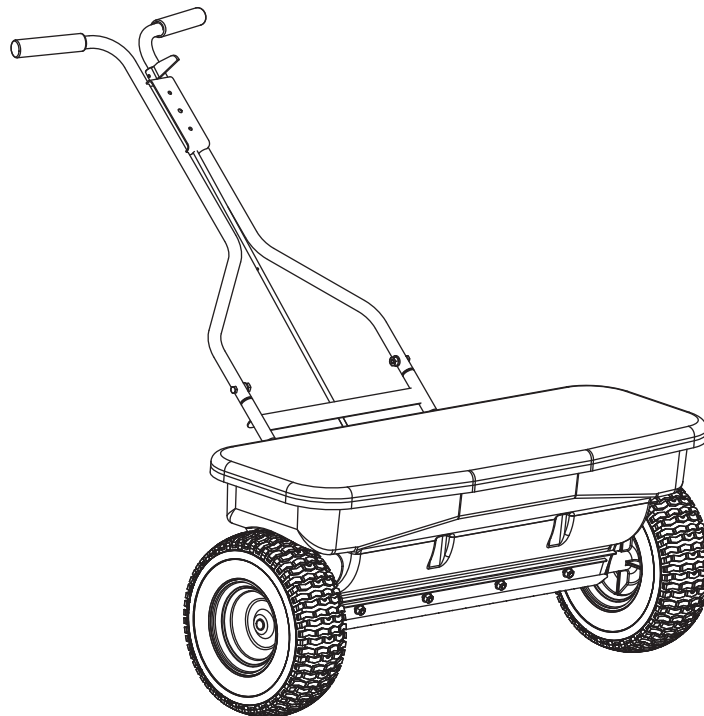
July 15, 2013
Lit. No. 43585, Rev. 00

WB-160D

Walk-Behind Drop Spreader

Owner's Manual and Installation Instructions

Original Instructions



⚠ CAUTION

Read this document before operating or servicing the spreader.

This document is for FISHER® WB-160D walk-behind drop spreaders with serial numbers 0000 and higher.

This document supersedes all editions with an earlier date.

TABLE OF CONTENTS

PREFACE	5
Owner's Information.....	5
SAFETY INFORMATION	6
LOADING	8
ASSEMBLY	9
OPERATION	10

PREFACE

This manual has been prepared to acquaint you with the safety information, operation and maintenance of your new walk-behind spreader. Please read this manual carefully and follow all recommendations. This will help ensure profitable and trouble-free operation of your spreader. Keep this manual accessible. It is a handy reference in case minor service is required.

When service is necessary, bring your walk-behind spreader to your distributor. They know your spreader best and are interested in your complete satisfaction.

Register your spreader online at www.fisherplows.com

OWNER'S INFORMATION

Owner's Name: _____

Date Purchased: _____

Outlet Name: _____ Phone: _____

Outlet Address: _____

Spreader Type (Model): _____ Weight: _____ lb/kg

Spreader Serial Number: _____

SAFETY

SAFETY DEFINITIONS

⚠ WARNING

Indicates a potentially hazardous situation that, if not avoided, could result in death or serious personal injury.

⚠ CAUTION

Indicates a potentially hazardous situation that, if not avoided, may result in minor or moderate injury. It may also be used to alert against unsafe practices.

NOTE: Indicates a situation or action that can lead to damage to your spreader and vehicle or other property. Other useful information can also be described.

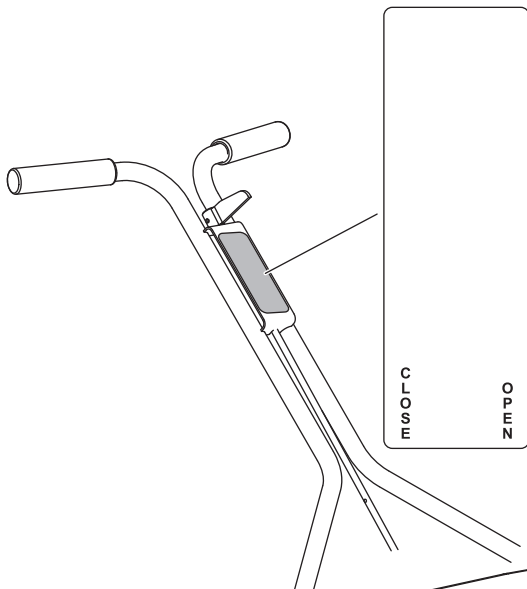
LABELS

Please become familiar with the labels on the spreader.

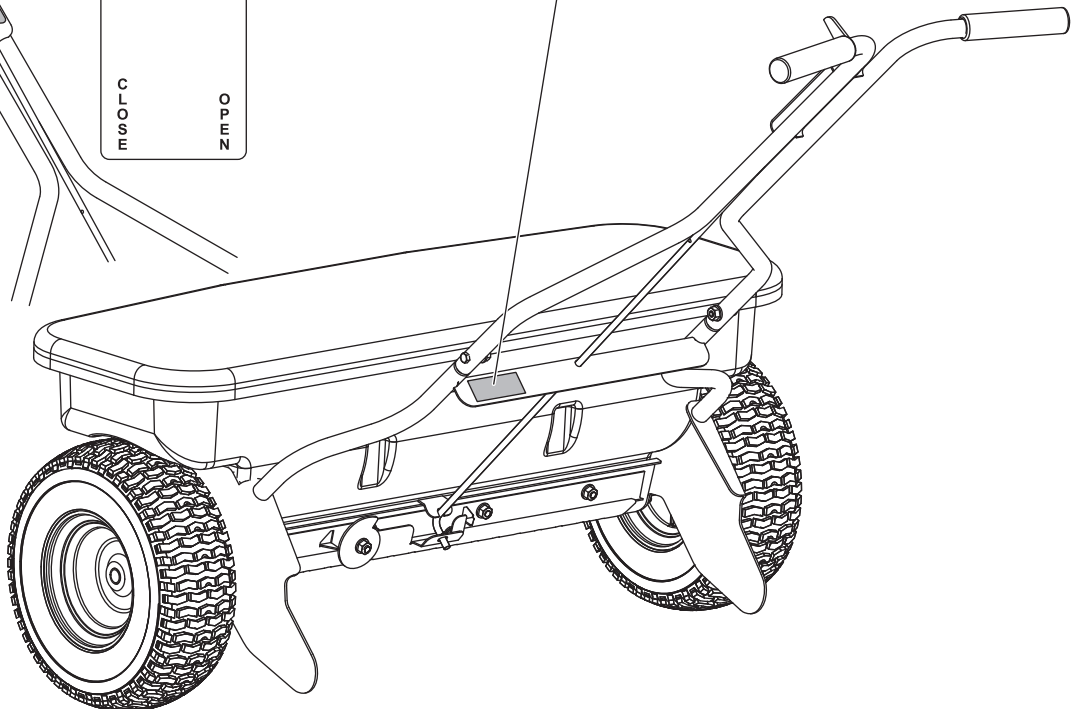
NOTE: If labels are missing or cannot be read, see your sales outlet.

Code	Definition
MM	2-Digit Month
YY	2-Digit Year
LL	2-Digit Location Code
####	4-Digit Sequential Number
PPPPP	5-Digit Assembly PN

Open/Close Label



Serial Number Label



SAFETY

SAFETY PRECAUTIONS

Improper installation and operation could cause personal injury and/or equipment and property damage. Read and understand labels and this Owner's Manual before installing, operating or making adjustments.

WARNING

- Always make sure personnel are clear of areas of danger when using equipment.
- Before working with the spreader, secure all loose-fitting clothing and unrestrained hair.
- Do not climb into or ride on spreader.
- Never attempt to lift a unit with material in it.
- Always inspect unit for defects and replace any broken, missing or worn parts immediately.
- Always check areas to be spread to be sure no hazardous conditions or substances are in the area.

CAUTION

- Do not operate a spreader in need of maintenance.
- Before operating the spreader, reassemble any parts or hardware removed for cleaning or adjusting.
- Before operating the spreader, remove materials such as cleaning rags, brushes, and hand tools from the spreader.
- Never use wet materials or materials with foreign debris with this spreader. This unit is designed to handle dry, clean free-flowing material.

CAUTION



DO NOT leave unused material in hopper. Material can freeze or solidify, causing unit to not work properly. Empty and clean after each use.

NOTE: Lubricate grease fittings after each use. Use a good quality multipurpose grease.

PERSONAL SAFETY

- Wear only snug-fitting clothing while working on your spreader.
- Do not wear jewelry or a necktie, and secure long hair.
- Wear safety goggles to protect your eyes from dirt and dust.

NOISE

Airborne noise emission during use is below 70 dB(A) for the spreader operator.

VIBRATION

Operating spreader vibration does not exceed 2.5 m/s² to the hand-arm or 0.5 m/s² to the whole body.

LOADING

LOADING YOUR SPREADER

WARNING

Do not overload spreader. Use chart below to calculate weight of material. Weights of material are an average for dry materials.

Material Weights

CAUTION



Read and adhere to manufacturer's ice-control material package labeling, including Material Safety Data Sheet requirements.

Material	Density (lb/ft ³)
Rock Salt	80-90

WARNING

Never remove spreader from vehicle with material in it as this could cause damage to the frame assembly.

CAUTION



DO NOT leave unused material in hopper. Material can freeze or solidify, causing unit to not work properly. Empty and clean after each use.

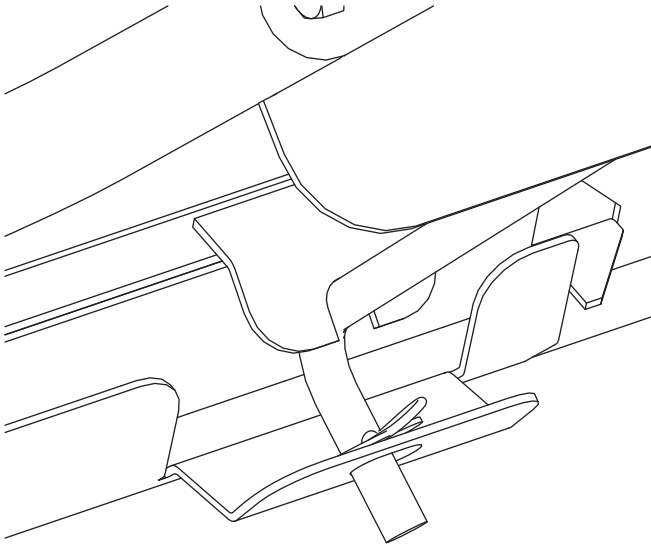
SPREADING TIPS

- Use care when operating spreader near pedestrians.
- Spread ice melting materials "with the storm" to prevent unmanageable levels of ice from building.
- Adjust material flow by following the instructions in the "Operation" section of this document.

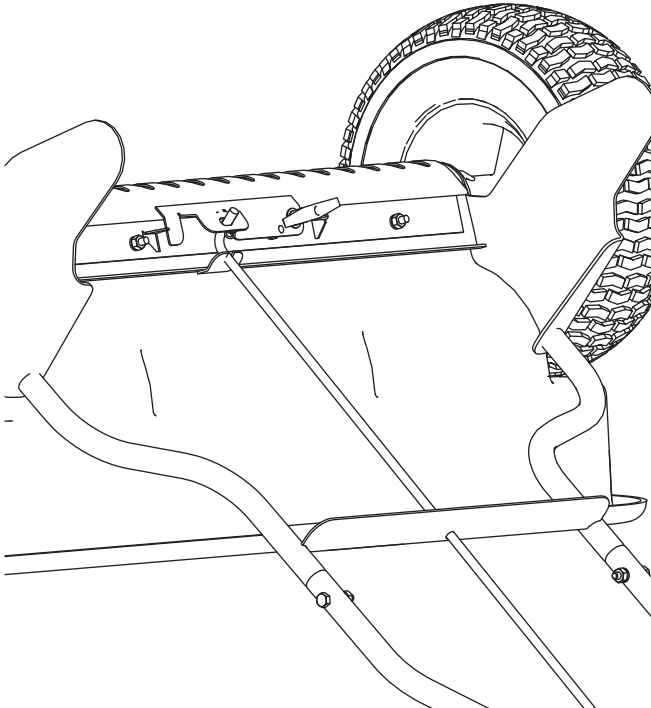
ASSEMBLY

ASSEMBLING YOUR SPREADER

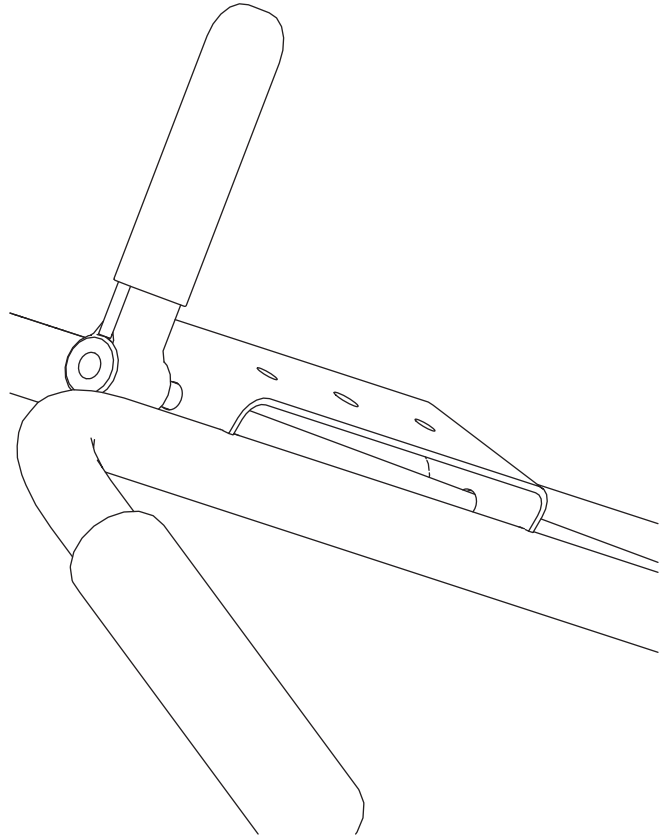
1. Insert the bent end of the rod through the hole in the cross piece of the main frame. Apply a washer to the end and slide the rod end into the gate slide. Lock in place with the hairpin cotter as shown. The washer should be between the hole in the gate slide and the cotter pin.



2. Insert the rod through the main frame while sliding the upper handle assembly down onto the main frame. Fasten with cap screws and locknuts.



3. Install the control handle onto the end of the control rod, as shown. Tighten the set screw.



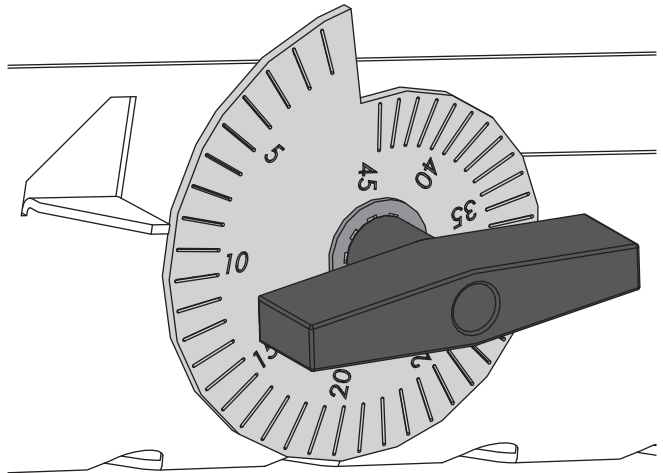
4. Attach the clear protective cover to the hopper.

OPERATION

ADJUSTING MATERIAL FLOW

The rate of material flow on your drop spreader may be adjusted for your specific material and usage.

1. Loosen the black knob and washer.
2. Adjust the cam wheel to the desired setting. Higher numbers mean increased flow, lower numbers result in reduced flow.
3. Tighten the black knob and washer to lock the setting.





Fisher Engineering
50 Gordon Drive
Rockland, ME 04841-2139
www.fisherplows.com

A DIVISION OF FISHER, LLC



This product conforms to EU Machinery Directive 2006/42/EC.

Copyright © 2013 Douglas Dynamics, LLC. All rights reserved. This material may not be reproduced or copied, in whole or in part, in any printed, mechanical, electronic, film or other distribution and storage media, without the written consent of Fisher Engineering. Authorization to photocopy items for internal or personal use by Fisher Engineering outlets or spreader owner is granted.

Fisher Engineering reserves the right under its product improvement policy to change construction or design details and furnish equipment when so altered without reference to illustrations or specifications used. Fisher Engineering offers a limited warranty for all spreaders and accessories. See separately printed page for this important information. The following is a registered (®) trademark of Douglas Dynamics, LLC: FISHER®.

Printed in U.S.A.