



6800, 7200
Light Truck Snowplow
#77700, 77705, 77800
Installation Instructions



⚠ CAUTION

Read this document before installing the snowplow.

⚠ CAUTION

See your SnowEx® outlet/website for specific vehicle application recommendations before installation. The Power Match selection system has specific vehicle and snowplow requirements.

SAFETY

SAFETY DEFINITIONS

⚠ WARNING

Indicates a potentially hazardous situation that, if not avoided, could result in death or serious personal injury.

⚠ CAUTION

Indicates a potentially hazardous situation that, if not avoided, may result in minor or moderate injury. It may also be used to alert against unsafe practices.







NOTE: Indicates a situation or action that can lead to damage to your snowplow and vehicle or other property. Other useful information can also be described.

WARNING/CAUTION AND INSTRUCTION LABELS

Become familiar with and inform users about the warning/caution and instruction labels on the back of the blade.

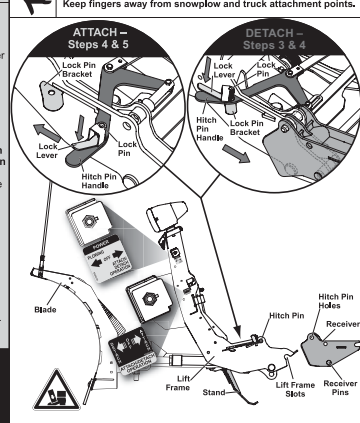
NOTE: If labels are missing or cannot be read, see your sales outlet.

Warning and Caution Label

⚠ WARNING	
	Lower blade when vehicle is parked.
	Do not exceed GVWR or GAWR including blade and ballast.
⚠ CAUTION	
	Read Owner's Manual before operating or servicing snowplow.
	Transport speed should not exceed 45 mph (72 km/h). Further reduce speed under adverse travel conditions.
	Plowing speed should not exceed 10 mph (16 km/h).
	See your sales outlet/Web site for specific vehicle application recommendations.

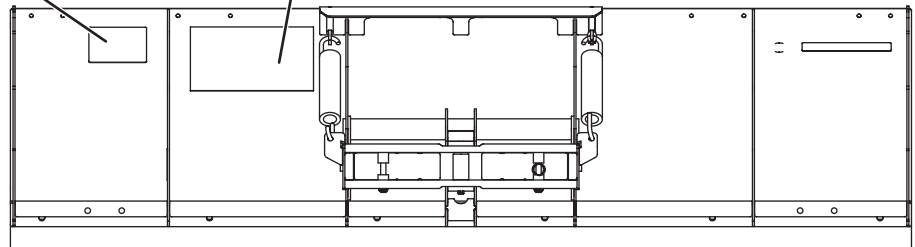
Attach/Detach Label

This snowplow is for personal/homeowner use only.

ATTACH	⚠ WARNING	DETACH
<ol style="list-style-type: none"> 1. Slowly drive vehicle forward to engage receiver pins into lift frame slots. 2. Move power switch to center or "OFF" position. 3. Plug in electrical harnesses. 4. Push and hold power switch and attach/detach operation switch RIGHT to rotate lift frame up until hitch pins are aligned with the hitch pin holes on receivers. Release both switches. 5. Hold down lock lever and move hitch pin handle forward to fully engage hitch pins in receivers. Release lock lever to engage lock pin into hole in lock pin bracket. 6. Move power switch to LEFT or "PLOWING" position. 	<p>Keep fingers away from snowplow and truck attachment points.</p> 	<ol style="list-style-type: none"> 1. Lower snowplow onto ground with blade straight. Turn plow control in vehicle OFF. 2. Push and hold power switch RIGHT and push and hold attach/detach operation switch RIGHT momentarily to rotate lift frame up and release load on hitch pins. 3. Hold down lock lever to disengage lock pin and move hitch pin handle rearward into notch in end of slot to fully disengage hitch pins from receivers. 4. Push and hold power switch RIGHT and push and hold attach/detach operation switch LEFT to rotate lift frame down until stand contacts ground and hydraulic unit turns OFF. 5. Unplug electrical harnesses.

Read Owner's Manual for complete instructions.

US patents 5,638,618; 5,899,007; 6,178,669; 6,253,470; 6,276,076; 6,393,737; 6,408,649; 6,412,199; 6,442,877; 6,615,513; 7,134,227; 7,400,058; 7,430,621; 7,737,576; CAN patents 2,194,922; 2,225,763; 2,259,508; 2,308,145; 2,308,304; 2,406,195; 2,552,633; and other patents pending.



SAFETY

SAFETY PRECAUTIONS

Improper installation and operation could cause personal injury and/or equipment and property damage. Read and understand labels and the Owner's Manual before installing, operating or making adjustments.

⚠ WARNING

Lower the blade when vehicle is parked. Temperature changes could change hydraulic pressure, causing the blade to drop unexpectedly or damaging hydraulic components. Failure to do this could result in serious personal injury.

⚠ WARNING

The driver shall keep bystanders clear of the blade when it is being raised, lowered or angled. Do not stand between the vehicle and the blade or within 8 feet of a moving blade. A moving or falling blade could cause personal injury.

⚠ WARNING

Keep hands and feet clear of the blade and A-frame when mounting or removing the snowplow. Moving or falling assemblies could cause personal injury.

⚠ WARNING

Do not exceed GVWR or GAWR including blade and ballast. The rating label is found on driver-side vehicle door cornerpost.

⚠ WARNING

To prevent accidental movement of the blade, always turn the control OFF whenever the snowplow is not in use. The power indicator light will turn OFF.

⚠ WARNING

Remove blade assembly before placing vehicle on hoist.

⚠ CAUTION

Refer to the current Power Match selection system for minimum vehicle recommendations and ballast requirements.

HYDRAULIC SAFETY

⚠ WARNING

Hydraulic fluid under pressure can cause skin injection injury. If you are injured by hydraulic fluid, get medical attention immediately.

- Always inspect hydraulic components and hoses before using. Replace any damaged or worn parts immediately.
- If you suspect a hose leak, DO NOT use your hand to locate it. Use a piece of cardboard or wood.

FUSES

The SnowEx® electrical and hydraulic systems contain several blade-style automotive fuses. If a problem should occur and fuse replacement is necessary, the replacement fuse must be of the same type and amperage rating as the original. Installing a fuse with a higher rating can damage the system and could start a fire. Fuse Replacement, including fuse ratings and locations, is located in the Maintenance section of the Owner's Manual.

PERSONAL SAFETY

- Remove ignition key and put the vehicle in park or in gear to prevent others from starting the vehicle during installation or service.
- Wear only snug-fitting clothing while working on your vehicle or snowplow.
- Do not wear jewelry or a necktie, and secure long hair.
- Wear safety goggles to protect your eyes from battery acid, gasoline, dirt and dust.
- Avoid touching hot surfaces such as the engine, radiator, hoses and exhaust pipes.
- Always have a fire extinguisher rated BC handy, for flammable liquids and electrical fires.

SAFETY

FIRE AND EXPLOSION

⚠ WARNING

Gasoline is highly flammable and gasoline vapor is explosive. Never smoke while working on vehicle. Keep all open flames away from gasoline tank and lines. Wipe up any spilled gasoline immediately.

Be careful when using gasoline. Do not use gasoline to clean parts. Store only in approved containers away from sources of heat or flame.

CELL PHONES

A driver's first responsibility is the safe operation of the vehicle. The most important thing you can do to prevent a crash is to avoid distractions and pay attention to the road. Wait until it is safe to operate Mobile Communication Equipment such as cell phones, text messaging devices, pagers or two-way radios.

VENTILATION

⚠ WARNING

Vehicle exhaust contains lethal fumes. Breathing these fumes, even in low concentrations, can cause death. Never operate a vehicle in an enclosed area without venting exhaust to the outside.

BATTERY SAFETY

⚠ CAUTION

Batteries normally produce explosive gases, which can cause personal injury. Therefore, do not allow flames, sparks or lit tobacco to come near the battery. When charging or working near a battery, always cover your face and protect your eyes, and also provide ventilation.

- **Batteries contain sulfuric acid, which burns skin, eyes and clothing.**
- **Disconnect the battery before removing or replacing any electrical components.**

NOISE

Airborne noise emission during use is below 70 dB(A) for the snowplow operator.






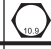


VIBRATION

Operating snowplow vibration does not exceed 2.5 m/s² to the hand-arm or 0.5 m/s² to the whole body.

TORQUE CHART

⚠ CAUTION

Read instructions before assembling. Fasteners should be finger tight until instructed to tighten according to torque chart. Use standard methods and practices when attaching snowplow, including proper personal protective safety equipment.

Recommended Fastener Torque Chart					
Inch Fasteners Grade 5 and Grade 8					
Size	Torque (ft-lb)		Size	Torque (ft-lb)	
	 Grade 5	 Grade 8		 Grade 5	 Grade 8
1/4-20	8.4	11.9	9/16-12	109	154
1/4-28	9.7	13.7	9/16-18	121	171
5/16-18	17.4	24.6	5/8-11	150	212
5/16-24	19.2	27.3	5/8-18	170	240
3/8-16	30.8	43.6	3/4-10	269	376
3/8-24	35.0	49.4	3/4-16	297	420
7/16-14	49.4	69.8	7/8-9	429	606
7/16-20	55.2	77.9	7/8-14	474	669
1/2-13	75.3	106.4	1-8	644	909
1/2-20	85.0	120.0	1-12	704	995
Metric Fasteners Class 8.8 and 10.9					
Size	Torque (ft-lb)		Size	Torque (ft-lb)	
	 Class 8.8	 Class 10.9		 Class 8.8	 Class 10.9
M6 x 1.00	7.7	11.1	M20 x 2.50	325	450
M8 x 1.25	19.5	26.9	M22 x 2.50	428	613
M10 x 1.50	38.5	53.3	M24 x 3.00	562	778
M12 x 1.75	67	93	M27 x 3.00	796	1139
M14 x 2.00	107	148	M30 x 3.50	1117	1545
M16 x 2.00	167	231	M33 x 3.50	1468	2101
M18 x 2.50	222	318	M36 x 4.00	1952	2701
These torque values apply to fasteners except those noted in the instructions.					

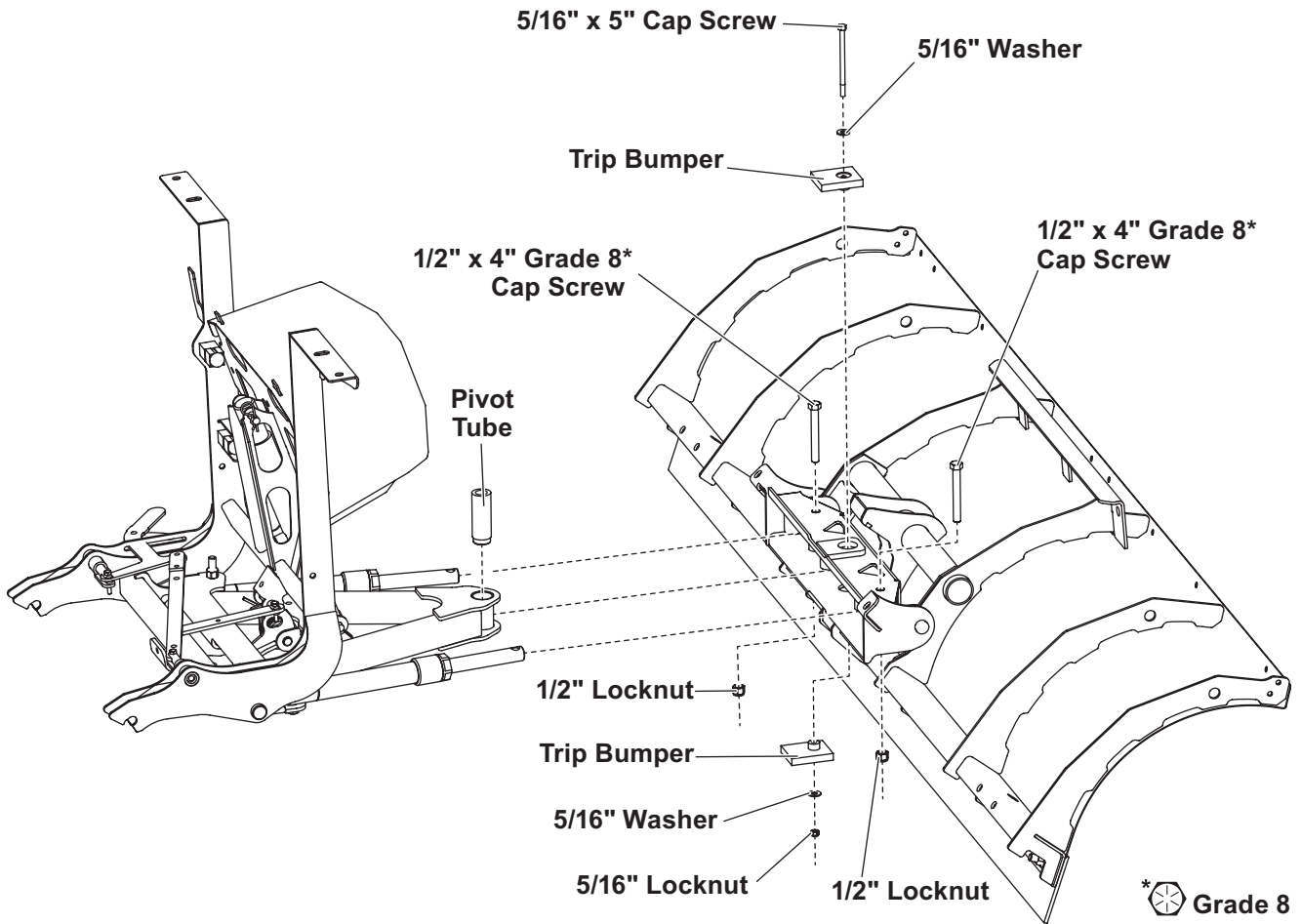
INSTALLATION INSTRUCTIONS

UNPACKING

1. Set aside the blade guides and parts bags. The vehicle electrical harnesses and Owner's Manual packet are in the bag with the headlamp box. Remove receivers by moving handle back towards the receivers disengaging the hitch pins, remove and set aside.
2. Remove the lag screws and wood blocks. Remove the cable ties securing the headlamp channel to the headgear and set the headlamp channel aside.
3. Remove the fasteners and blocking securing the A-frame to the pallet.

A-FRAME TO BLADE ASSEMBLY

1. Insert the nose of the A-frame into the quadrant and align the pivot bolt hole on the A-frame with the pivot bolt tube on the quadrant. Loosen and remove both trip springs and tip the blade forward. Insert the pivot tube through the quadrant into the A-frame, tapered end first.
2. Install a trip bumper to each end of the pivot tube and under the blade stop as shown below. The round boss on the bumper will fit into the pivot tube, and the long bumper leg will butt up against the upward bend of the quadrant.
3. Place a 5/16" flat washer on a 5/16" x 5" cap screw, and slide the cap screw from the top down through the bumpers. Attach a 5/16" flat washer and a 5/16" locknut to the cap screw, and tighten until the rubber on the bumpers begins to dimple.

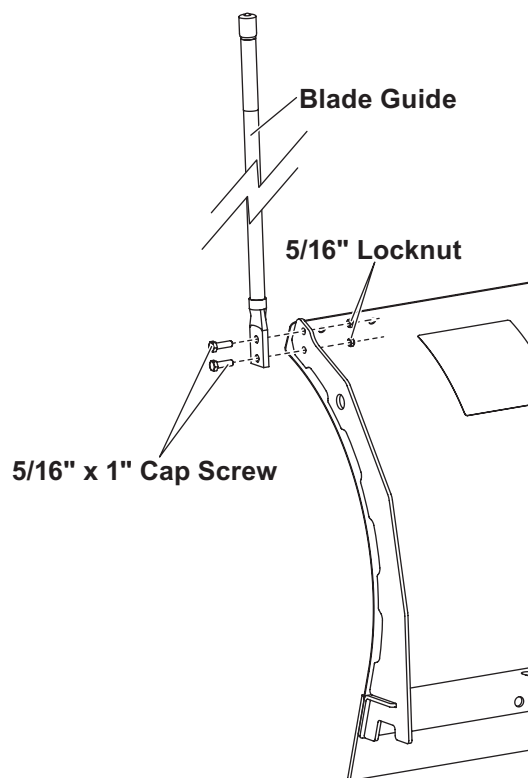


INSTALLATION INSTRUCTIONS

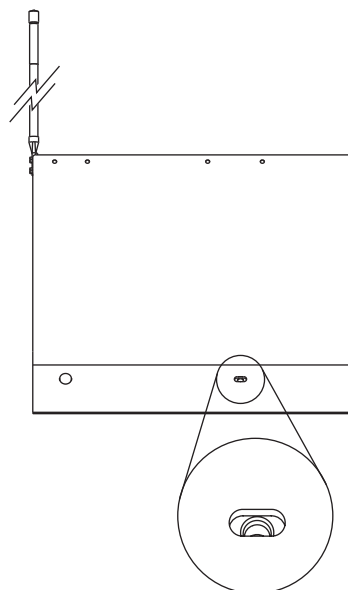
4. Move the snowplow into a normal operating position.
5. Reinstall the trip springs.
6. Set the trip springs by tightening the top nuts until the coils of the springs begin to separate (a piece of paper such as this instruction sheet should pass between the second and third coils).
7. Adjust the trip springs by tightening the top nuts until the coils of the springs begin to separate (a piece of paper such as this instruction sheet should pass between the second and third coils).
8. Remove the protective packaging from the angle rams.
9. Align the holes in the rod end of the angle ram with the corresponding holes on the back of the quadrant.
10. Install a 1/2" x 4" grade 8 cap screw from the top down to attach each rod. Secure the cap screws with 1/2" locknuts from the parts bag.

FINAL BLADE ASSEMBLY

1. Install a blade guide on each end of the blade as shown.



2. Finish securing the cutting edge with two carriage bolts and locknuts (included in the parts bag).



INSTALLATION INSTRUCTIONS

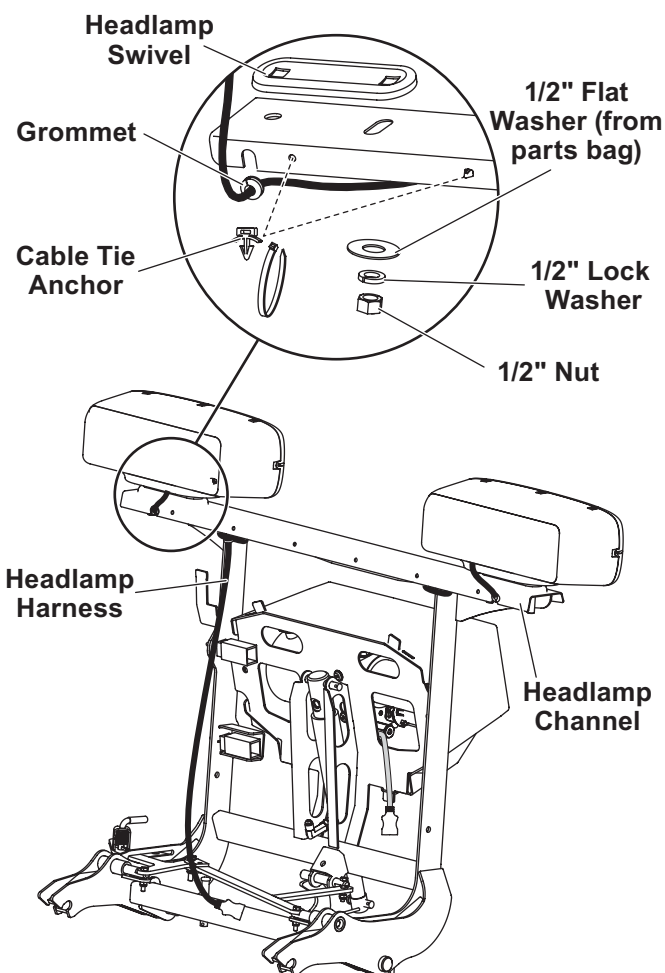
HEADLAMPS

⚠ WARNING

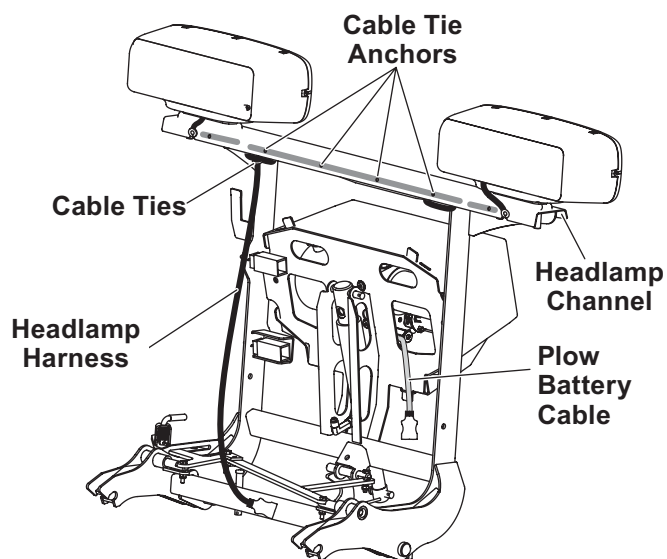
Your vehicle must be equipped with snowplow headlamps and directional lights.

Headlamps, hardware and instructions are found in the headlamp box. Additional hardware (two 1/2" flat washers) can be found in the parts bag.

1. Attach the headlamps and the headlamp channel according to the instructions provided in the headlamps box, substituting the 1/2" flat washer from the parts bag for the 1/2" flat washer packed in the headlamps box.



2. Insert cable tie anchors into the 1/4" holes on the rear of the headlamp channel, from inside the channel, with the locking tabs horizontal.
3. Install a split rubber grommet on each headlamp wire 3" from the headlamp and insert the grommet and wire into the slot on the rear of the channel.
4. Route the wires underneath the channel, in back of the vertical supports, and down along the inside of the driver-side vertical support.



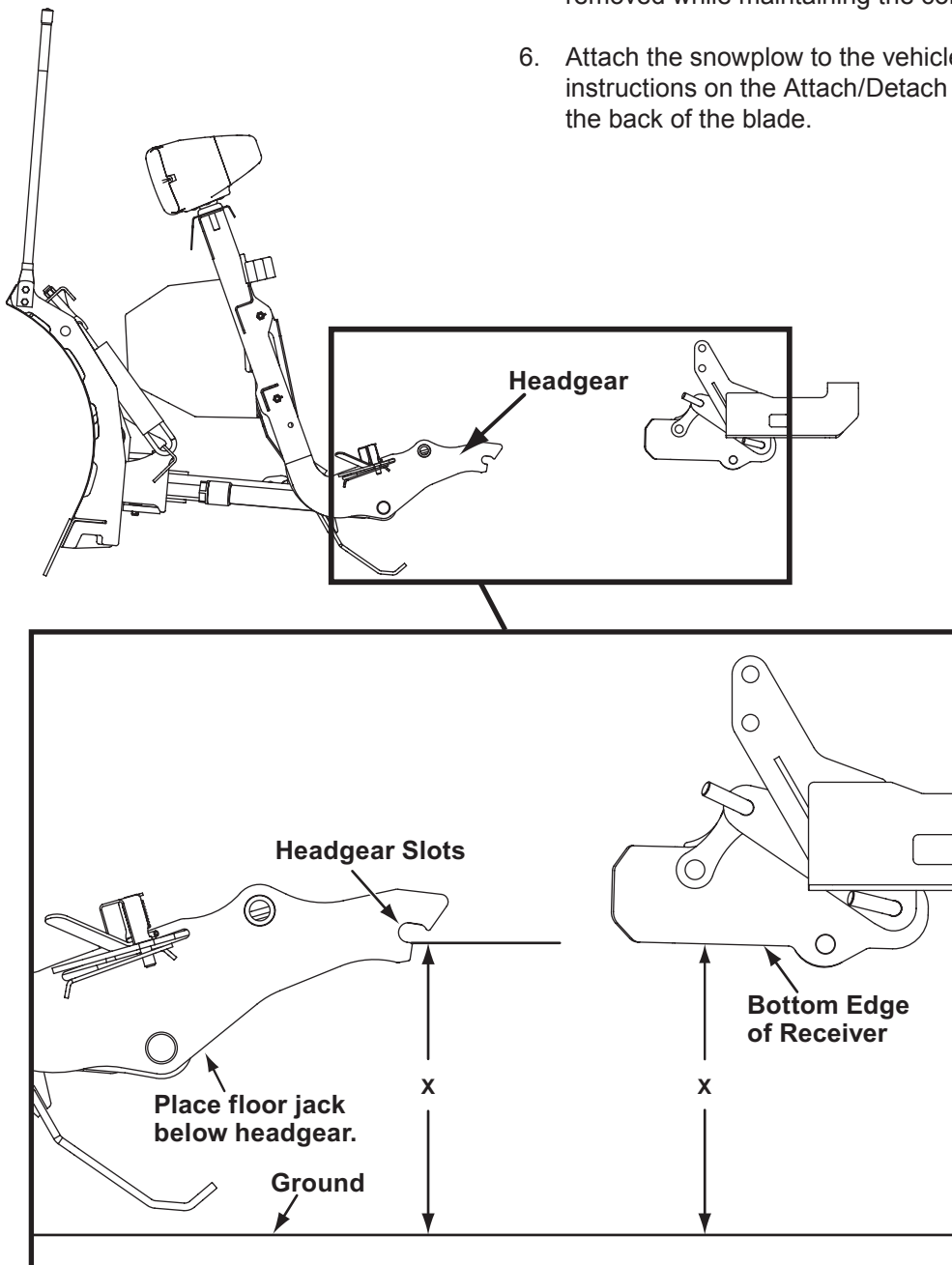
5. Cable tie the harness to the headgear as shown in illustration.

INSTALLATION INSTRUCTIONS

HEIGHT ADJUSTMENT AND A-FRAME BLOCKING

1. Park the truck on a flat, level surface. Install the receivers into the truck mount pockets and measure the distance from the ground to the bottom edge of the receiver (height "X" below).
2. Position a floor jack under the rear of the headgear (see below).

3. While depressing the stand, move the attach/detach lever backward into the detach position to lock the stand into the off truck position. Using a floor jack, raise the headgear so that the bottom of the hitch pin notch is at the same height as the bottom edge of the receiver (height "X").
4. Verify that the stand actuator pin is on top of the stand.
5. Block the A-frame so that the jack can be safely removed while maintaining the correct height.
6. Attach the snowplow to the vehicle, following the instructions on the Attach/Detach label located on the back of the blade.



OPERATIONAL TEST AND FINAL ADJUSTMENTS

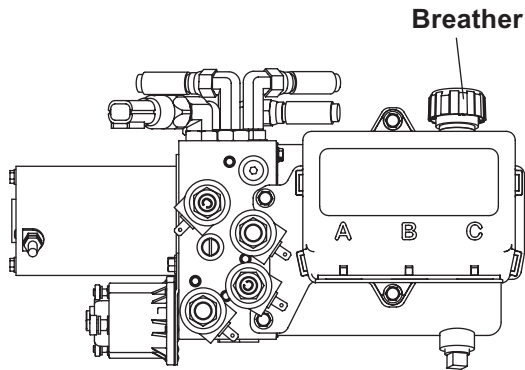
HYDRAULIC UNIT

⚠ WARNING

Keep 8' clear of the blade when it is being raised, lowered or angled. Do not stand between vehicle and blade or directly in front of the blade. If the blade hits or drops on you, you could be seriously injured.

The hydraulic system comes from the factory preassembled, partially filled and fully tested.

1. Attach the snowplow to the vehicle according to the instructions on the back of the blade.
2. Remove the cover from the hydraulic unit. Remove and discard the factory-installed pipe plug from the top of the reservoir and install the breather.



⚠ WARNING

To prevent accidental movement of the blade, always turn the control OFF whenever the snowplow is not in use. The power indicator light will turn OFF.

3. Turn the control ON and raise and lower the snowplow several times. With the plow in the raised position, fully angle the plow from right to left several times. Activate the control FLOAT function and make sure the blade is lowered completely to the ground. Turn the control OFF.

⚠ CAUTION

Do not mix different types of hydraulic fluid. Some fluids are not compatible and may cause performance problems and product damage.

4. Remove the breather and check the fluid level. The fluid level should be 1"–1-1/2" below the fill hole. If additional fluid is needed, add SnowEx® Rapid Action Hydraulic Fluid to –40°F (–40°C), or other fluid conforming to Military Specification MIL-H-5606 A, such as Mobil Aero HFA or Shell AeroShell® Fluid 4 until fluid is 1"–1-1/2" below the fill hole.

NOTE: Loosen the breather slowly to relieve any pressure in the reservoir.

NOTE: Add fluid only when the blade is resting fully on the ground.

5. Replace and tighten the breather.

OPERATIONAL TEST AND FINAL ADJUSTMENTS

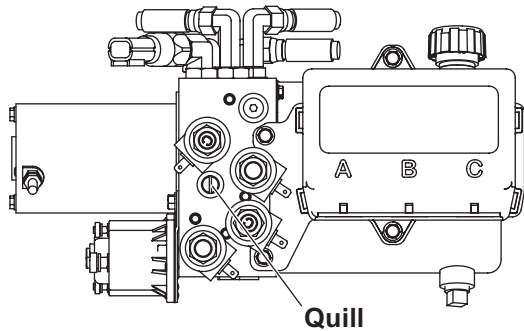
BLADE DROP SPEED ADJUSTMENT

⚠ WARNING

Keep 8' clear of the blade when it is being raised, lowered or angled. Do not stand between vehicle and blade or directly in front of the blade. If the blade hits or drops on you, you could be seriously injured.

The quill in the valve manifold adjusts the blade drop speed.

1. Lower the blade to the ground before making any adjustment.
2. Remove the hydraulic unit cover.
3. Turn the quill IN (clockwise) to decrease drop speed. Turn the quill OUT (counterclockwise) to increase drop speed.



4. Stand 8 feet clear of the blade when checking adjustment.
5. Replace the cover.

FINAL INSPECTION AND ADJUSTMENT

⚠ WARNING

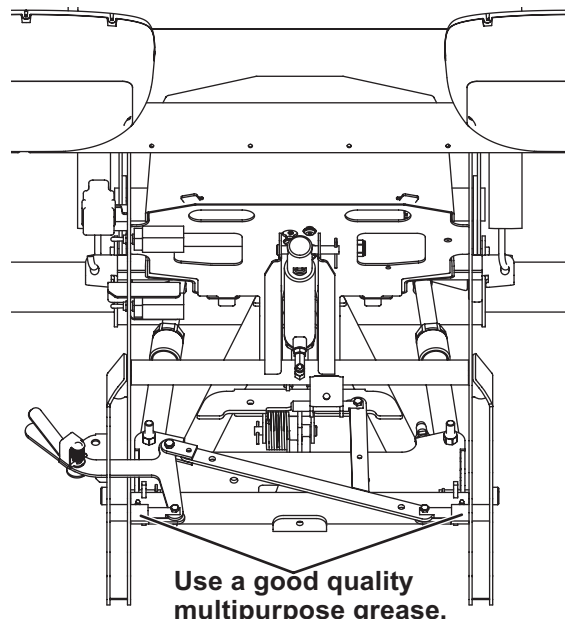
Keep 8' clear of the blade when it is being raised, lowered or angled. Do not stand between vehicle and blade or directly in front of the blade. If the blade hits or drops on you, you could be seriously injured.

1. Check that the trip springs are adjusted correctly by confirming that the coils of the springs are separated slightly.

⚠ CAUTION

Overtightening of the springs will increase the blade trip force and cause damage to the springs and plow assembly.

2. Adjust the trip springs by tightening the top nuts until the coils of the springs begin to separate (a piece of paper such as this instruction sheet should pass between the second and third coils).
3. Fully angle the blade in both directions in raised and lowered positions. Adjust hose fittings, wraps and clamps so hoses do not contact vehicle bumper, have no sharp bends and are wrapped at contact points with, and do not become pinched between the headgear and A-frame.
4. Add grease to the 2 hitch pins.



OPERATIONAL TEST AND FINAL ADJUSTMENTS

VEHICLE LIGHTING CHECK

1. Verify the operation of all vehicle front lighting prior to connecting the snowplow harness.
2. Check the operation of the snowplow lights with snowplow mounted to vehicle and all harnesses connected.

Turn signals and parking lamps

Parking lamps ON:

- Both vehicle and snowplow parking lamps should be ON at the same time.

Driver-side turn signal ON:

- Both vehicle and snowplow driver-side turn signal lamps should flash at the same time.

Passenger-side turn signal ON:

- Both vehicle and snowplow passenger-side turn signal lamps should flash at the same time.

Headlamps

Move the vehicle headlamp switch to the "ON" position. Connecting and disconnecting the snowplow lighting harness plug should switch the lights between vehicle and snowplow as follows:

Snowplow lighting harness DISCONNECTED:

- Vehicle headlamps should be ON.
- Snowplow headlamps should be OFF.

Snowplow lighting harness CONNECTED:

- Snowplow headlamps should be ON.
- Vehicle headlamps should be OFF.

Dimmer switch should toggle headlamps between high and low beams. The high beam indicator on the dash should light when headlamps are placed in high beam.

Daytime Running Lamps (DRLs)

An operational check of the vehicle and snowplow DRLs will depend on the vehicle model, vehicle DRL system and type of Isolation Module installed. Due to the variations in the OEM DRL systems and the different Isolation Module

options available, checking the functionality of the snowplow DRLs will depend on the type of module installed on the vehicle.

With the headlamp switch OFF, activate the vehicle DRLs.

Snowplow lighting harness DISCONNECTED:

- Vehicle DRLs should be ON.
- Snowplow headlamps should be OFF.

Snowplow lighting harness CONNECTED and vehicle in DRL mode:

- Check snowplow DRL function per the type of Isolation Module installed.

Refer to the Mechanic's Guide for information on the Isolation Module DRL functions.

Joystick or Hand-Held Control

The snowplow plugs **do** need to be connected to the vehicle harness connectors. The control power indicator light should light whenever the control ON/OFF switch and the ignition (key) switch are both in the "ON" position.

3. Connect all snowplow and vehicle harnesses. Raise the snowplow and aim snowplow headlamps according to the Snowplow Headlamp Beam Aiming instructions included with the headlamps and any state or local regulations.
4. Check the aim of the vehicle headlamps with the snowplow removed.

▲ CAUTION

Plug covers shall be used whenever snowplow is disconnected. Vehicle Battery Cable is 12-Volt unfused source.

5. When the snowplow is removed from the vehicle, install plug covers on the vehicle battery cable and lighting harness. Insert the snowplow battery cable and lighting harness into the cable boot on the snowplow.

OPERATIONAL TEST AND FINAL ADJUSTMENTS

OWNER'S MANUAL PACKET

If the completed snowplow will be delivered immediately, the Owner's Manual should be reviewed with and given to the purchaser according to the snowplow checklist.

If the snowplow is completed prior to delivery to the purchaser, attach the Owner's Manual Packet to the electrical cable of the cab control for safekeeping.



TrynEx International, LLC
531 Ajax Drive
Madison Heights, MI 48071-2429
www.snowexproducts.com

 A DIVISION OF DOUGLAS DYNAMICS, LLC

TrynEx International, LLC reserves the right under its product improvement policy to change construction or design details and furnish equipment when so altered without reference to illustrations or specifications used. TrynEx International, LLC or the vehicle manufacturer may require or recommend optional equipment for snow removal. Do not exceed vehicle ratings with a snowplow. TrynEx International, LLC offers a limited warranty for all snowplows and accessories. See separately printed page for this important information. The following are registered (®) trademarks of Douglas Dynamics, LLC: Automatix®, SnowEx®.

Printed in U.S.A.