



**8-1/2' and 9-1/2'  
HDV™ Snowplow**

**Mild Steel Blades 77770, 77780  
Stainless Steel Blades 77775, 77785  
Big Box Assembly 77870**

**Parts List**





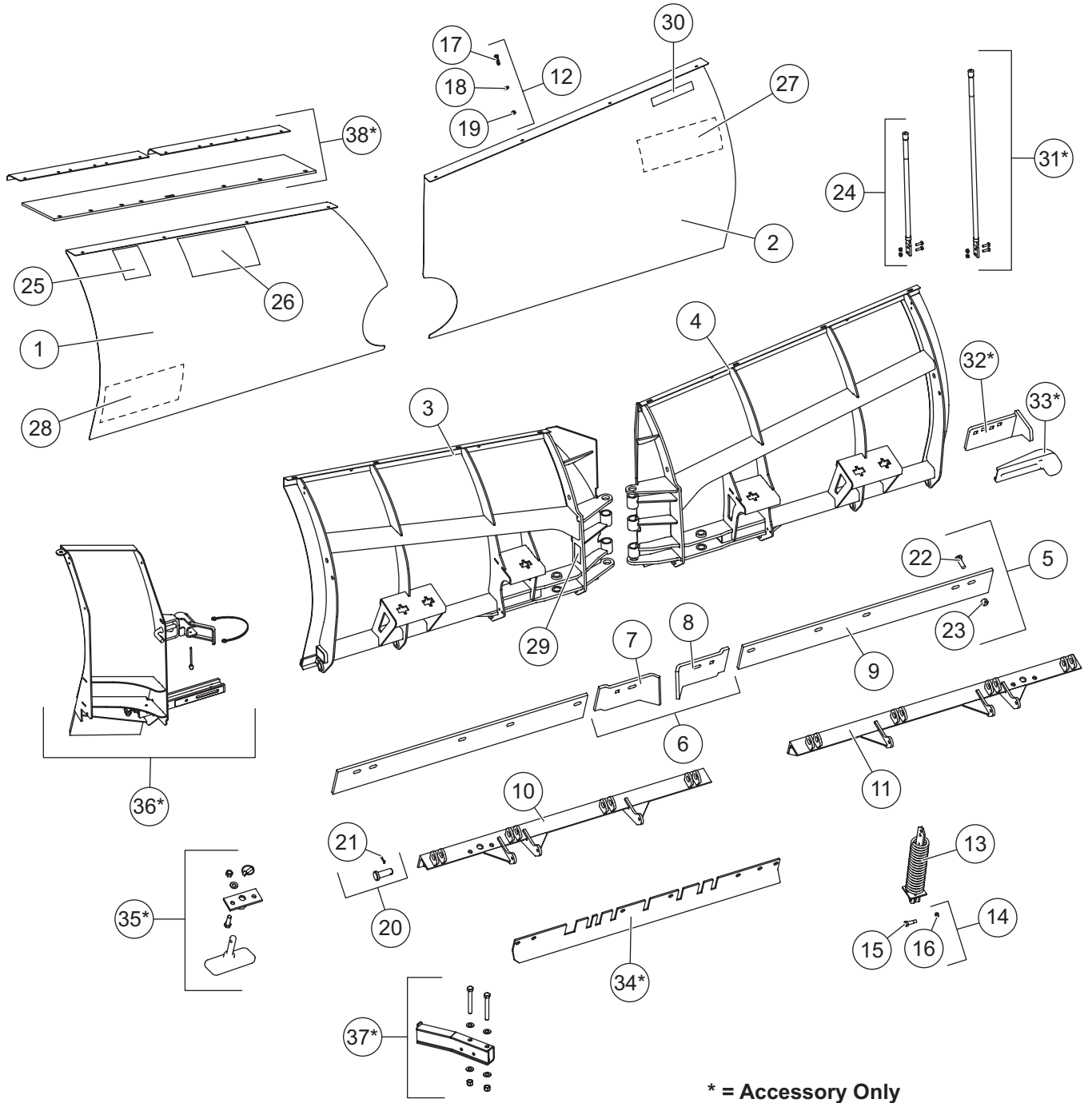
# TABLE OF CONTENTS

---

<b>HDV™ BLADE COMPONENTS</b> .....	4
<b>HDV HYDRAULIC, LIFT FRAME, AND T-FRAME BIG BOX ASSEMBLY</b> .....	6
T-Frame Assembly.....	6
Headgear Assembly .....	8
Hydraulic and Electrical Components.....	10
Hydraulic Unit .....	10
Lift and Angle Ram Components .....	12
Hoses and Fittings.....	12
Electrical Components .....	13
Vehicle-Side Harness Diagram – 3-Port, 2-Plug System.....	14
Headlamp Kit .....	15

# HDV™ BLADE 77770/77775/77780/77785

## Blade Components – 9-1/2' Shown



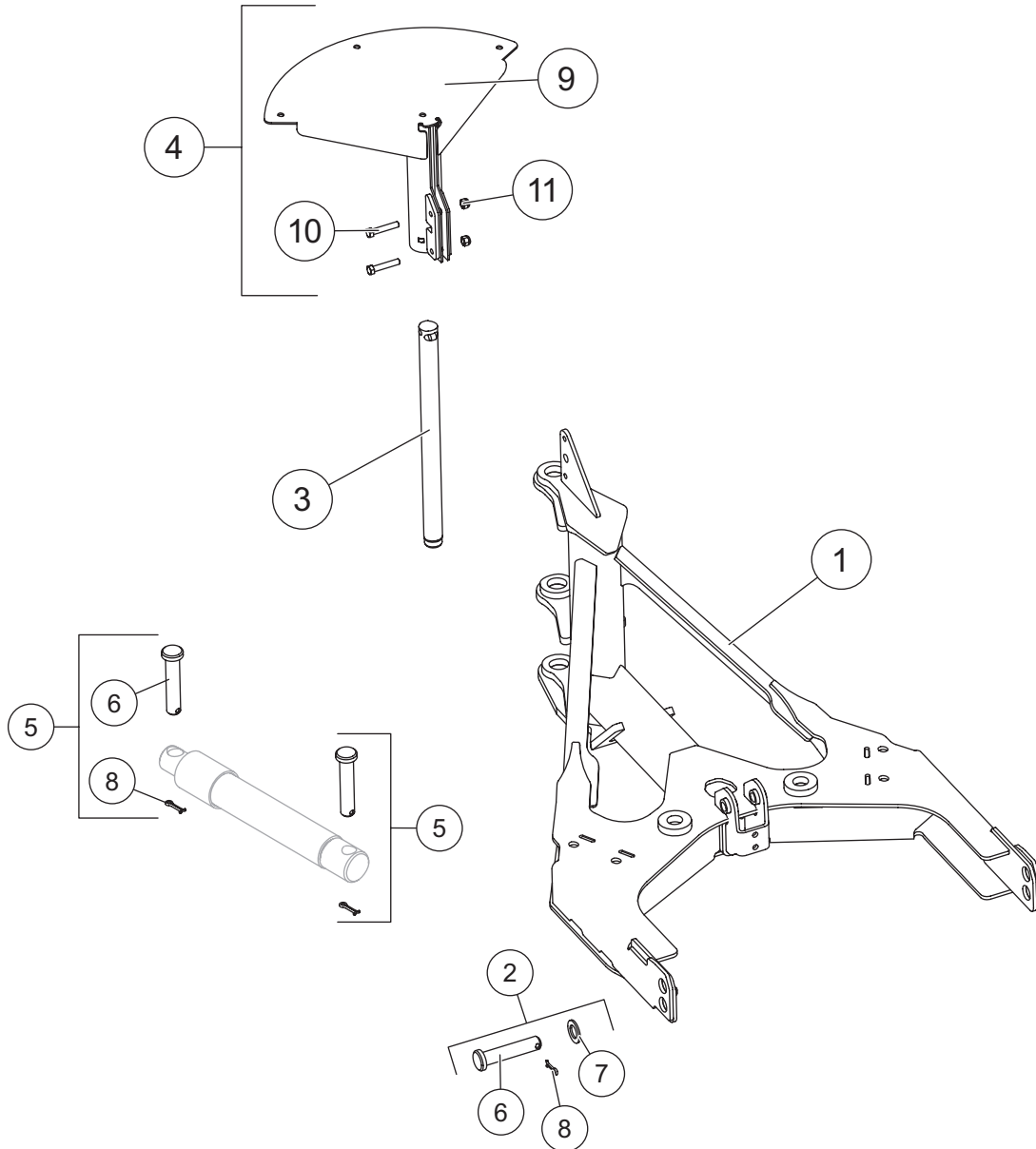
## HDV™ BLADE 77770/77775/77780/77785

<b>77770/77775/77780/77785 HDV™ Blade</b>				
<b>Item Description</b>	<b>Part Number</b>			
	<b>8-1/2' Blade</b>		<b>9-1/2' Blade</b>	
	<b>MS</b>	<b>SS</b>	<b>MS</b>	<b>SS</b>
1 Moldboard Kit w/Fasteners & Labels – DS	85087	85088	85089	85090
2 Moldboard Kit w/Fasteners & Labels – PS	85091	85092	85093	85094
3 Frame, Base Angle & Spring Assy – DS	85117		85118	
4 Frame, Base Angle & Spring Assy – PS	85119		85120	
5 Cutting Edge Kit, Complete (3/8")	84850		–	
Cutting Edge Kit, Complete (1/2")	84851		84852	
6 Center Cutting Edge Kit	44894-1			
7 Center Cutting Edge – DS	44891-1			
8 Center Cutting Edge – PS	44890-1			
9 Cutting Edge – One Side (3/8")	85126		–	
Cutting Edge – One Side (1/2")	85127		85128	
10 Base Angle – DS	43128		43130	
11 Base Angle – PS	43129		43131	
12 Moldboard Fasteners Kit (set of 8)	43890	43289	43890	43289
MS = Mild Steel		SS = Stainless Steel		

<b>Blade Pins, Fasteners, Labels, Springs</b>					
<b>Item</b>	<b>Part</b>	<b>Description</b>	<b>Item</b>	<b>Part</b>	<b>Description</b>
13	21452	Removable Spring Assembly	25	59900	Label – Warning/Caution, Snowplows
14	83624	Spring Assembly Bolt Kit	26	52593	Label – Automatix® Attach/Detach
15		7/16-14 x 1/2 x 1-5/8 Shoulder Bolt	27	85113	Label – Identity, SnowEx® – MS
16		7/16-14 Hex Locknut GB		85115	Label – Identity, SnowEx – SS
17		3/8-16 x 1 Button Cap Screw	28	85112	Label – Identity, HDV – MS
18		3/8 hardened Flat Washer		85114	Label – Identity, HDV – SS
19		3/8-16 Hex Locknut GB	29	29256	Label – Foot Crush Hazard
20	85082	1 x 2-3/4 Clevis Pin w/Cotter	ns	85084	Label Kit – MS Blade (items 25–29)
21		1/4 x 1-3/4 Cotter Pin		85099	Label Kit – SS Blade (items 25–29)
22		5/8-11 x 2 Carriage Bolt G5	30		Label – Blade Size & Serial Number
23		5/8-11 Hex Locknut GB	ns	44763	Bolt Bag – Cutting Edge Kits (1 side, 5 sets)
24	84525	24" Poly Blade Guide Kit (set of 2)			
<b>Blade Accessories</b>					
31	84477	36" Poly Blade guide Kit (set of 2)	36	43510-1	Blade Wing Extensions Kit
32	43885	Curb Guard Kit, Welded – PS & DS	37	43082-1	Blade Stop Kit (set of 2)
33	44404	Curb Guard Kit, Cast (single)	38	85108	Deflector Kit (Universal) 10"
34	44283-3	Back Drag Edge Kit, 9-1/2' Blade	ns	85109	Deflector Kit (Universal) 18"
ns	44282-3	Back Drag Edge Kit, 8-1/2' Blade	ns	43620	Bolt Bag – Rubber Deflector
35	43088	Shoe Kit (set of 2)			
MS = Mild Steel		SS = Stainless Steel		G = Grade	
				ns = not shown	

# T-FRAME ASSEMBLY

## T-Frame, Center Snow Control, and Pins

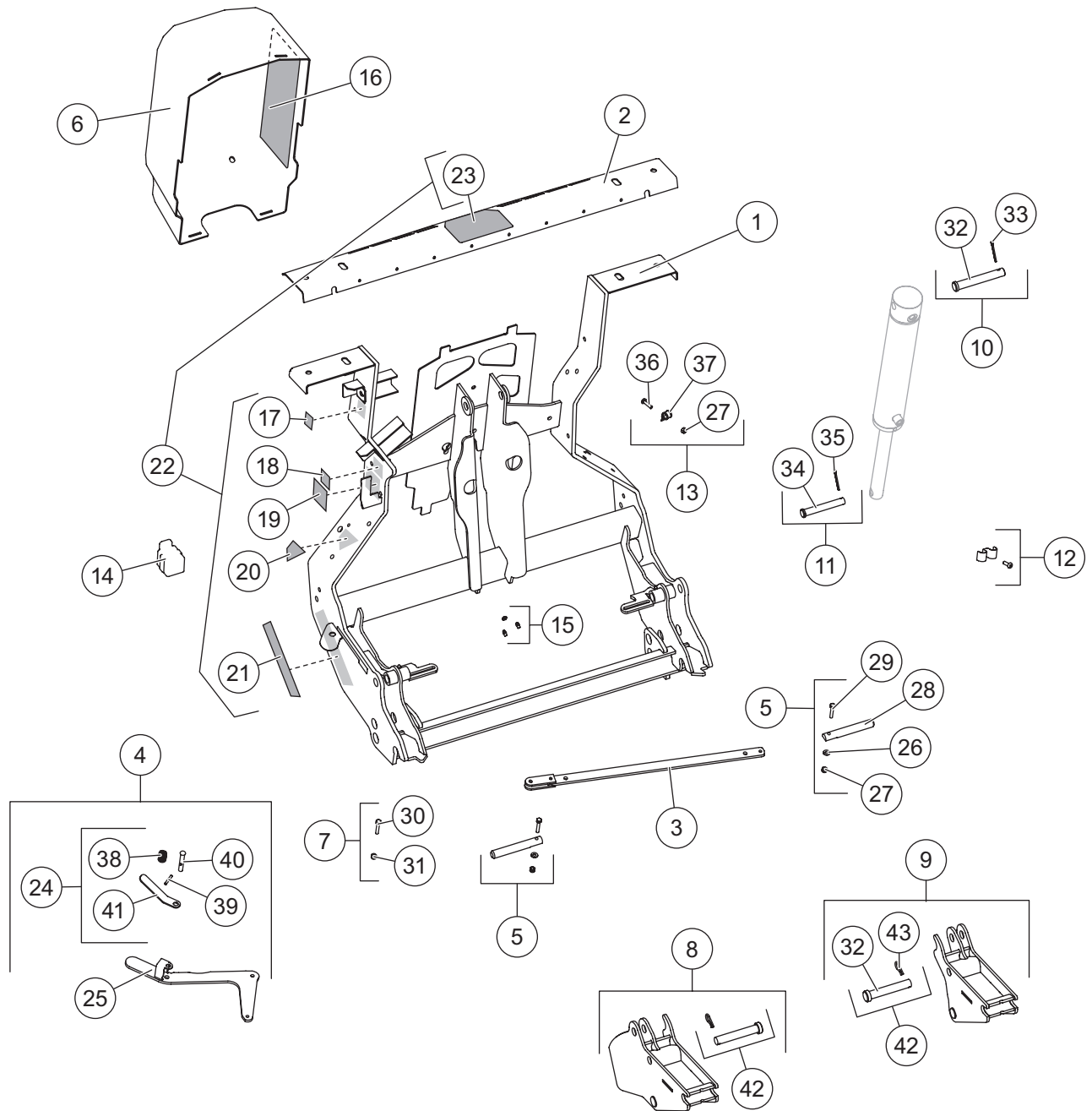


## T-FRAME ASSEMBLY

T-Frame Components							
Item	Part	Qty	Description	Item	Part	Qty	Description
1	85050	1	T-Frame HDV™	4	43118	1	Center Snow Control Kit
2	84623	2	Clevis Pin Kit	5	85125	4	Clevis Pin Kit
3	49844	1	Main Pivot Pin				
<b>Item 2</b>				<b>84623 Clevis Pin Kit</b>			
6		1	1 x 4-3/4 Clevis Pin	8		1	1/4 x 1-1/2 Cotter Pin
7		1	1" Flat Washer Special				
<b>Item 4</b>				<b>43118 Center Snow Control Kit</b>			
9		1	Snow Control	11	91333	2	3/8-16 Hex Locknut GB
10	90043	2	3/8-16 x 2 Hex Cap Screw G5				
<b>Item 5</b>				<b>85125 Clevis Pin Kit</b>			
6		1	1 x 4-3/4 Clevis Pin	8	90601	1	1/4 x 1-1/2 Cotter Pin
G = Grade							

# HEADGEAR ASSEMBLY

## Headgear Components





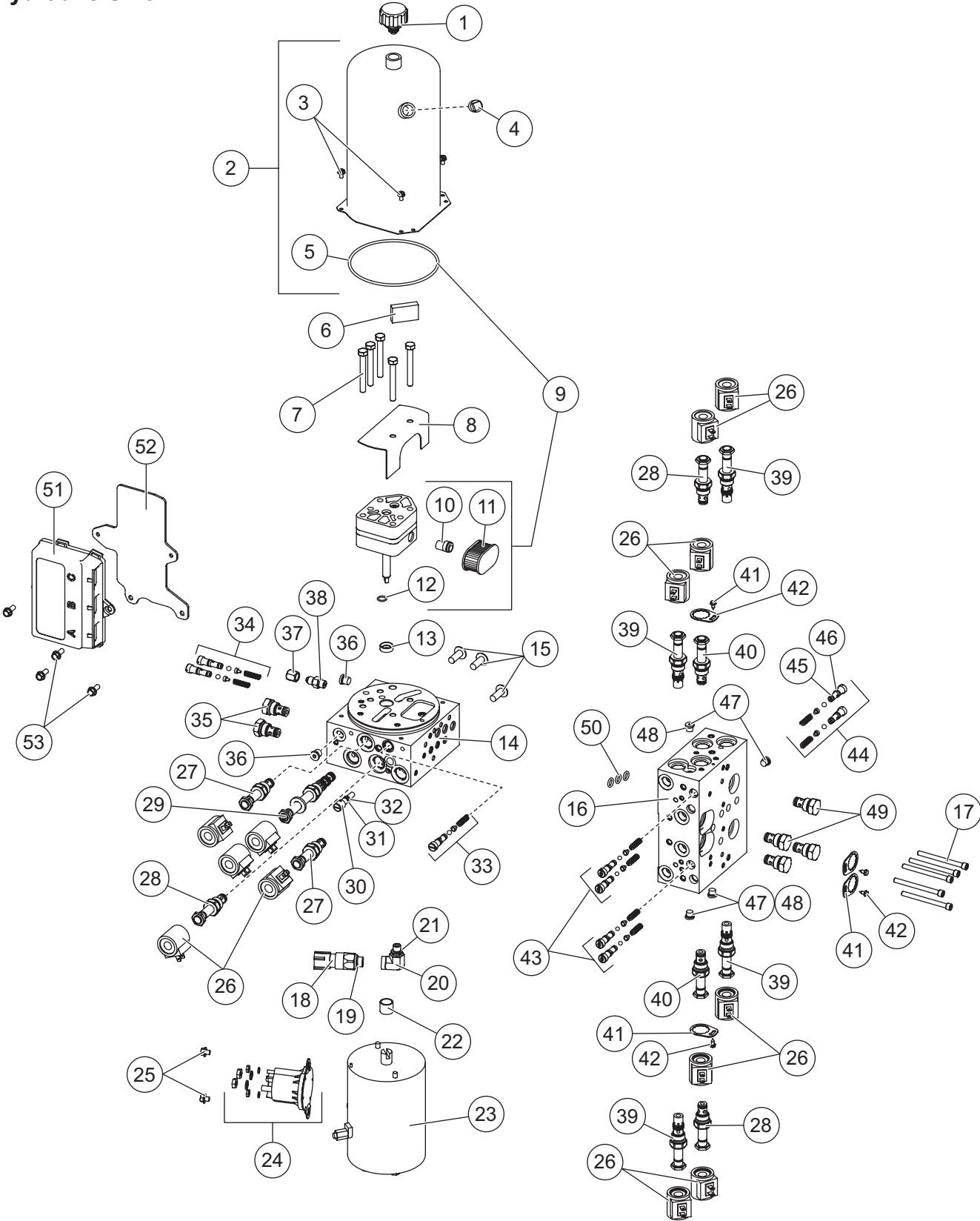
## HEADGEAR ASSEMBLY

Headgear Components							
Item	Part	Qty	Description	Item	Part	Qty	Description
1	85005	1	Headgear – HDV™ (incl. item 15)	11	85124	1	Pin Kit – 5/8 x 4-14
2	85009	1	Light Bar Channel w/Label – HDV	12	49479-1	2	Hose Bracket kit
3	85048	1	Link Arm – HDV	13	84778	1	Power Cable Clamp Loop Kit
4	84595	1	Attach Handle Kit	14	61246	1	Cable Boot
5	84603	2	Attach Pin Kit	15	84616	1	Grease Zerk (3-Pack)
6	85049	1	Hydraulic Cover (incl. item 16)	16	52589	1	Label – Hydraulic Info HDV
7	84635	1	Link Arm/Attach Handle Fastener Kit	17	52206	1	Label – Automatixx® Power Switch
8	84608	1	Receiver Kit – DS	18	52207	1	Label – Automatixx Operation Switch
ns	85121*	1	Receiver Kit, Tall – DS	19	69689	1	Label – SECURITY GUARD™ Logo
9	84609	1	Receiver Kit – PS	20	77717	1	Label – Automatixx Upper
ns	85122*	1	Receiver Kit, Tall – PS	21	77719	1	Label – Automatixx Lower
10	85123	1	Pin Kit – 3/4 x 5	22	84647	1	Headgear Label Kit (Items 17–21, 23)
<b>Item 2</b>				<b>85009 Light Bar Channel – HDV</b>			
		1	Light Bar	23	84553	1	Label – SnowEx® Light Bar, Center
<b>Item 4</b>				<b>84595 Attach Handle Kit</b>			
24	84596	1	Attach Handle Release Cam Kit	25	84779	1	Handle
<b>Item 5</b>				<b>84603 Attach Pin Kit</b>			
26		1	1/4 Flat Washer	28		1	Hitch Pin
27		1	1/4-20 Hex Locknut GB	29		1	1/4-20 x 1-1/2 Hex Cap Screw SS
<b>Item 7</b>				<b>84635 Link Arm/Attach Handle Fastener Kit</b>			
30		1	5/16-18 x 1-1/4 Hex Cap Screw G5	31		1	5/16-18 Hex Locknut GB
<b>Item 10</b>				<b>85123 Pin Kit – 3/4 x 5</b>			
32	95739	1	3/4 x 5 Clevis Pin HT	33		1	1/8 Hairpin Cotter
<b>Item 11</b>				<b>85124 Pin Kit – 5/8 x 4-1/4</b>			
34		1	5/8 x 4-1/4 Clevis Pin	35		1	5/32 x 1-1/2 Cotter Pin
<b>Item 13</b>				<b>84778 Power Cable Clamp Loop Kit</b>			
27		1	1/4-20 Hex Locknut GB	37		1	#10 Clamp Loop
36		1	1/4-20 x 1 Hex Cap Screw G5				
<b>Item 24</b>				<b>84596 Attach Handle Release Cam Kit</b>			
38		1	Stand Lock Pin Spring	40		1	Handle Lock Pin
39		1	3/16 x 1-3/8 Roll Pin SS	41		1	Handle Lock Pin Lever
<b>Item 42</b>				<b>84611 Receiver Pin Kit</b>			
32	95739	1	3/4 x 5 Clevis Pin HT	43	42142	1	R-Pin Cotter
		ns = not shown	SS = Stainless Steel			HT = Heat Treated	G = Grade

\* Refer to the HDV Snowplow Installation Instructions to confirm when tall receivers are required.

# HYDRAULIC AND ELECTRICAL COMPONENTS

## Hydraulic Unit



## HYDRAULIC AND ELECTRICAL COMPONENTS

<b>52651 Hydraulic Unit – V-Plow</b>							
<b>Item</b>	<b>Part</b>	<b>Qty</b>	<b>Description</b>	<b>Item</b>	<b>Part</b>	<b>Qty</b>	<b>Description</b>
1	48278	1	Breather	27	84936	2	Valve, 2-Way NC w/Rev Flow
2	52631	1	Reservoir Kit	28	49690	3	Valve, 2-Way w/Nut
3	66607	4	10-24 x 5/16 Machine Screw	29	84937	1	Valve, 4-Way, 3-Position
4	92079	1	Plug, Square 3/8 NPTF	30	48517	1	Quill
5	66519	1	O-Ring 2-250	31	48239	1	O-Ring -106
6	73897	1	Magnet	32	48240	1	Back-Up Ring –106
7	90080	5	5/16-18 x 2-1/2 Hex Cap Screw G5	33	52282	1	Relief Valve (1 set)
8	84889	1	Baffle Plate	34	52284	2	Relief Valve (1 set)
9	49487	1	Hydraulic Pump Kit	35	84934	2	Check Valve
10	10887	1	Pump Inlet Fitting	36	44344	2	Plug, Hex Socket –4 M ORB
11	48281	1	Filter	37	52642	1	Cap –4 F JIC
12	56274	1	O-Ring -013	38	B60004	1	Connector, Short –4 M JIC/ –4 M ORB
13*	66515	1	Pump Shaft Seal	39	49489	4	Valve, 2-Way w/Check
ns	52252	1	Seal Repair Tool Kit w/Seal	40	52587	2	Valve, SF08-2015 w/Nut
14	52579	1	Primary Manifold Assy w/o Valves HD	41	44369	4	Valve Lock Ring w/Screw
15	83641	3	3/8-16 x 1-1/4 Hex Cap Screw Serrated Flange	42	63943	4	8-18 x 3/8 Tapping Screw
16	52582	1	Secondary Manifold Assy w/o Valves	43	44356	2	Relief Valve Kit (2 sets)
17	29081	5	1/4-20 x 3 Socket Cap Screw	44	52283	1	Relief Valve (2 sets)
18	84841	1	Pressure Switch	45	55371	8	O-Ring -008
19	56569	1	O-Ring -906	46	25731	8	O-Ring -010
20	52295	1	Elbow, 90° –4M ORB/–6 F ORB	47	92960	4	Plug, Hex Socket –3 M ORB
21	44343	3	O-Ring -904	48	26784	4	O-Ring -903
22†	56364	1	Bearing Sleeve	49	48287	4	Check Valve
ns	52251	1	Bearing Repair Tool Kit w/Bearing	50	29077	3	O-Ring -110
23	52281	1	Motor	51	52292-1	1	Plow Control Module
24	52578	1	Motor Relay Kit, FLEET FLEX	52	52293-1	1	Module Plate
25	29099	2	1/4-20 x 1/4 Hex Washer-Head Thread-Rolling Screw	53	44355	4	1/4-20 x 5/8 Hex Washer-Head Thread-Rolling Screw
26	52294	13	Coil				
<b>O-Ring Service Kits</b>							
–	52298-1	–	O-Ring Kit	–	48310	–	Seal Kit, 2-Way Valves
–	48309	–	Seal Kit, 3-Way & 4-Way Valves				
<b>Item 14</b>	<b>52579 Primary Manifold Assembly w/o Valves</b>						
3	66607	4	10-24 x 5/16 Machine Screw	30	48517	1	Quill
5	66519	1	O-Ring 2-250	33	52282	1	Relief Valve (1 set)
8	56274	1	O-Ring 013	34	52284	2	Relief Valve (1 set)
9	66515	1	Pump Shaft Seal	36	44344	3	Plug, Hex Socket –4 M ORB
22	56364	1	Bearing Sleeve				
<b>Item 16</b>	<b>52582 Secondary Manifold Assembly w/o Valves</b>						
42	63943	4	8-18 x 3/8 Tapping Screw	47	92960	4	Plug, Hex Socket –3 M ORB
43	44356	2	Relief Valve Kit (2 sets)	50	29077	3	O-Ring -110
44	52283	1	Relief Valve (2 sets)				
ns = not shown				G = Grade			

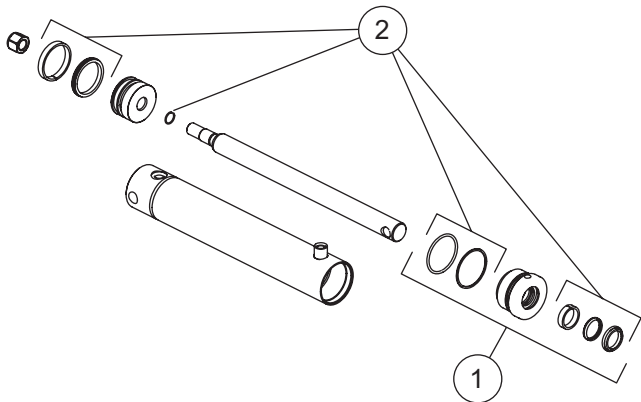
\* Use 52252 tool to install.

† Use 52251 tool to install.

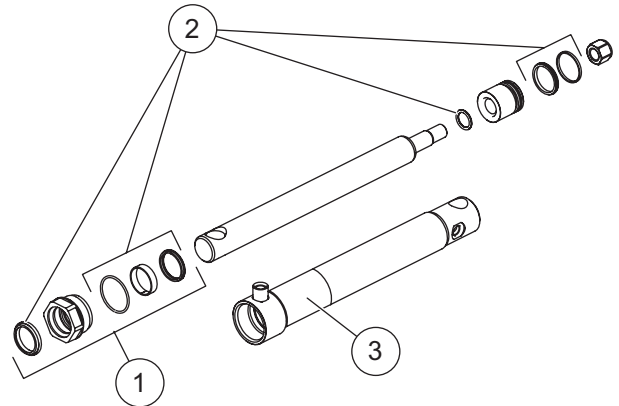
Go to [www.snowexproducts.com](http://www.snowexproducts.com) for hydraulic unit service information and specifications.

# HYDRAULIC AND ELECTRICAL COMPONENTS

## Lift and Angle Ram Components



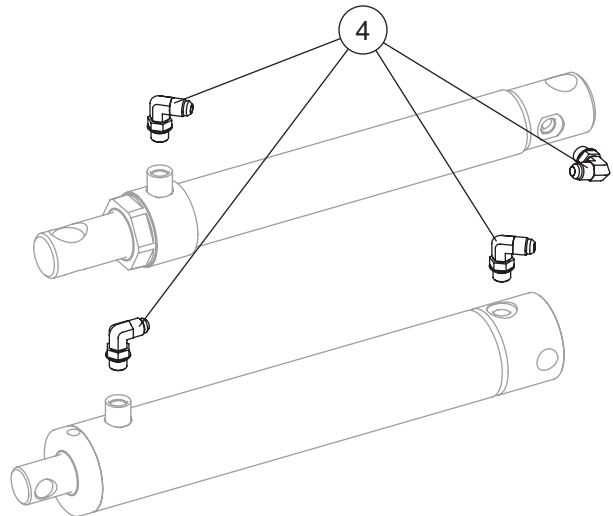
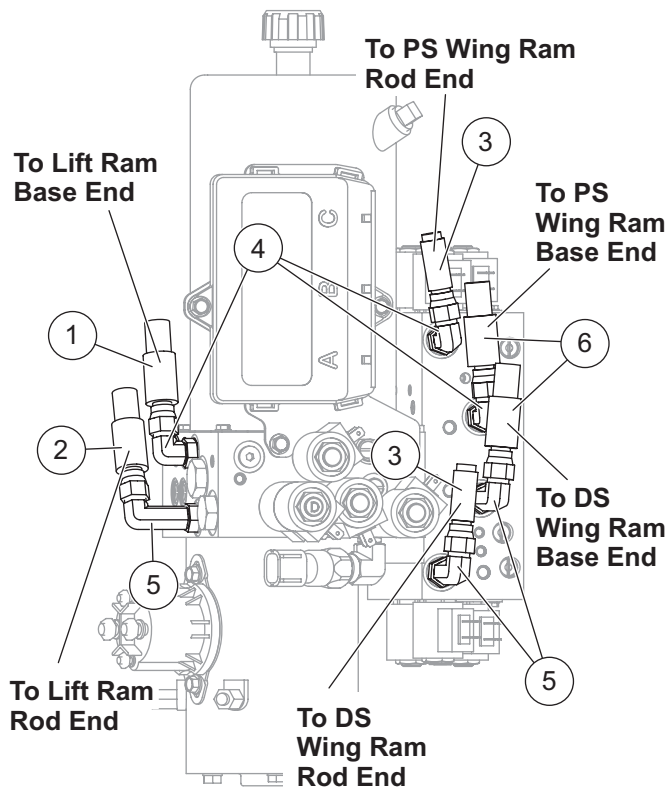
52632 Lift Ram Assembly 2-1/2 x 11-3/4			
Item	Part	Qty	Description
1	52633	1	Gland Assembly 1-1/4
2	52634	1	Seal Kit 2-1/2" DA Ram



52635 Ram Assembly 1-3/4 x 11 DA			
Item	Part	Qty	Description
1	48985	1	Gland Assembly 1-1/2
2	84832	1	Seal Kit 1-3/4 DA Ram
3	84906	1	Label – Double-Acting Cylinder

Go to [www.snowexproducts.com](http://www.snowexproducts.com) for hydraulic unit service information and specifications.

## Hoses and Fittings

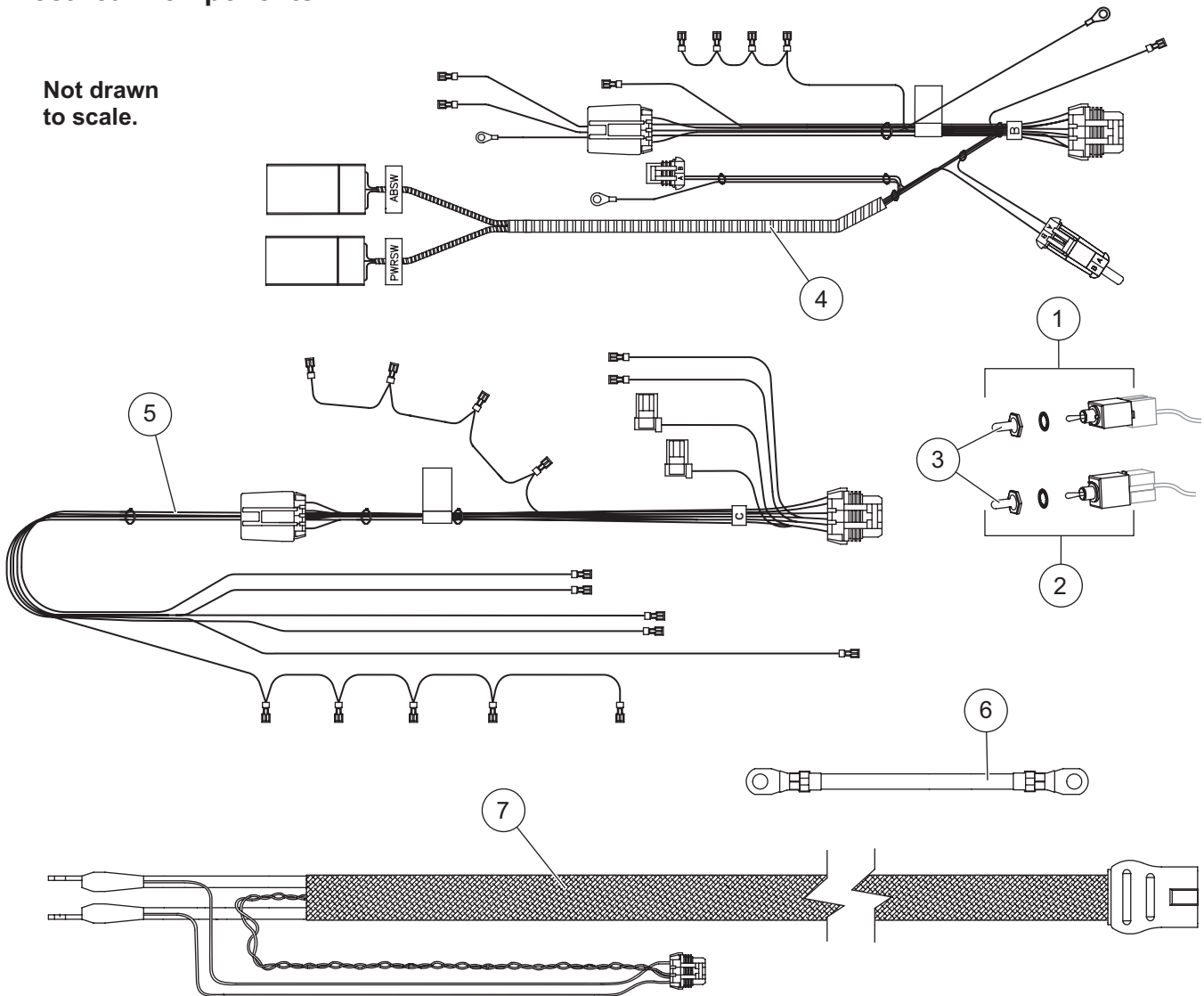


Hoses and Fittings			
Item	Part	Qty	Description
1	84926	1	Hose, 3/8 x 14 w/F JIC Ends
2	84897	1	Hose, 3/8 x 26 w/F JIC Ends
3	85107	2	Hose, 1/4 x 67 w/F JIC Ends
4	56615-1	9	Elbow, 90° –6 M JIC/–6 M ORB
5	40572	3	Elbow, Extra Long 90° –6 M JIC/–6 M ORB
6	85104	2	Hose, 3/8 x 67 w/F JIC ends
ns	56823	4	Hose Wrap
		F = Female	M = Male

# HYDRAULIC AND ELECTRICAL COMPONENTS

## Electrical Components

Not drawn to scale.



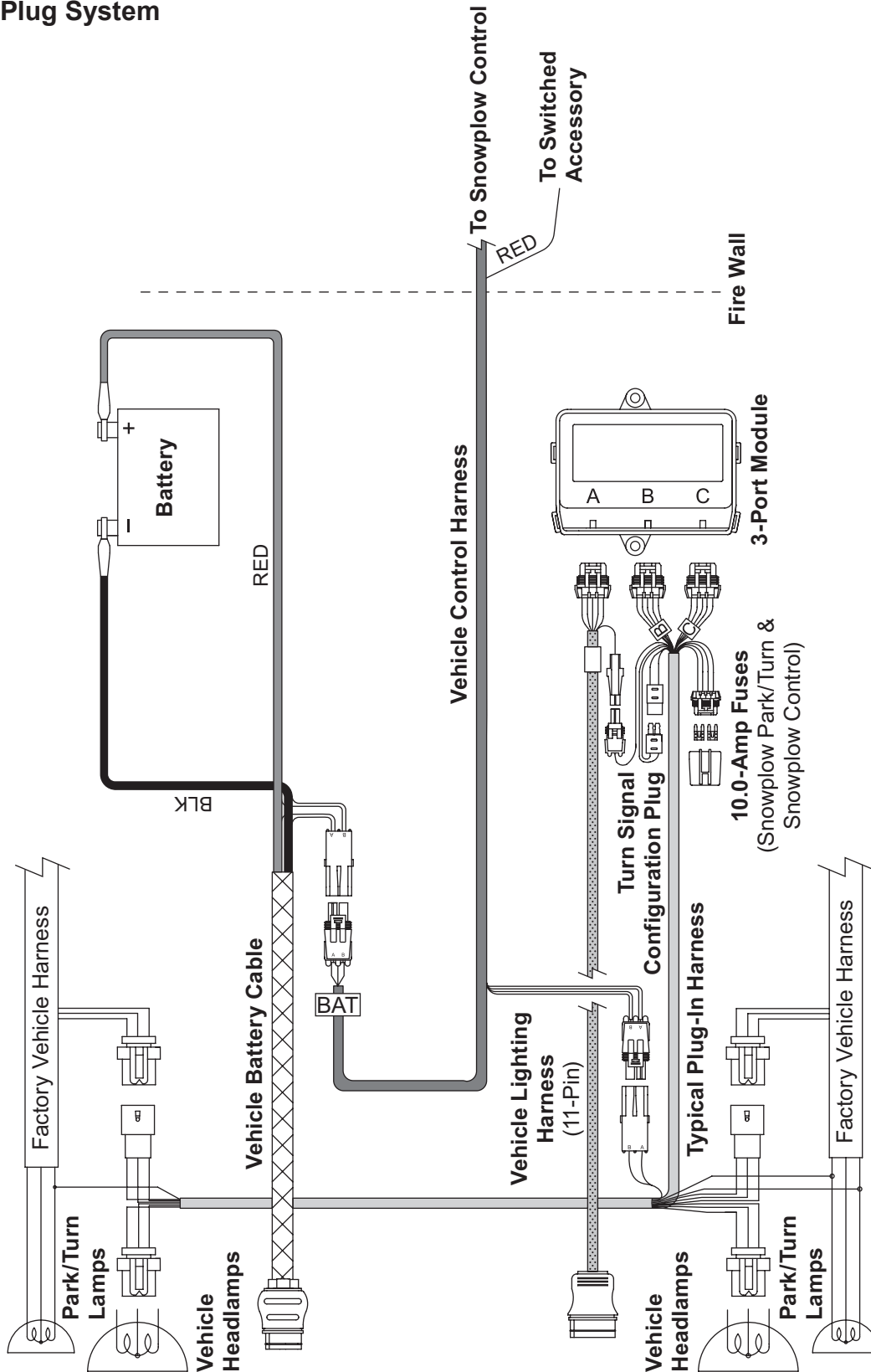
Plow control module is shown with hydraulic unit; cable boot shown on headgear page.

Plow-Side Electrical Components							
Item	Part	Qty	Description	Item	Part	Qty	Description
1	40575	1	Toggle Switch (MOM-ON, OFF, ON)	5	52563	1	Plow Control Harness, 9-Coil
2	40576	1	Toggle Switch (MOM-ON, OFF, MOM-ON)	6	29071	1	Cable Assembly 8"
3	48259	2	Switch Boot	7	52291	1	Plow Battery Cable
4	52108	1	Plow Control Harness, 4-Coil	ns		4	Fuse, 5-Amp Mini Automotive Blade-Style (for items 4 and 5)
Vehicle-Side Electrical Components							
*	42014	1	Vehicle Battery Cable	ns	48325	2	Plug Cover
*	28587	1	Vehicle Control Harness				
ns = not shown							

\* For diagram see Vehicle-Side Harness Diagram.

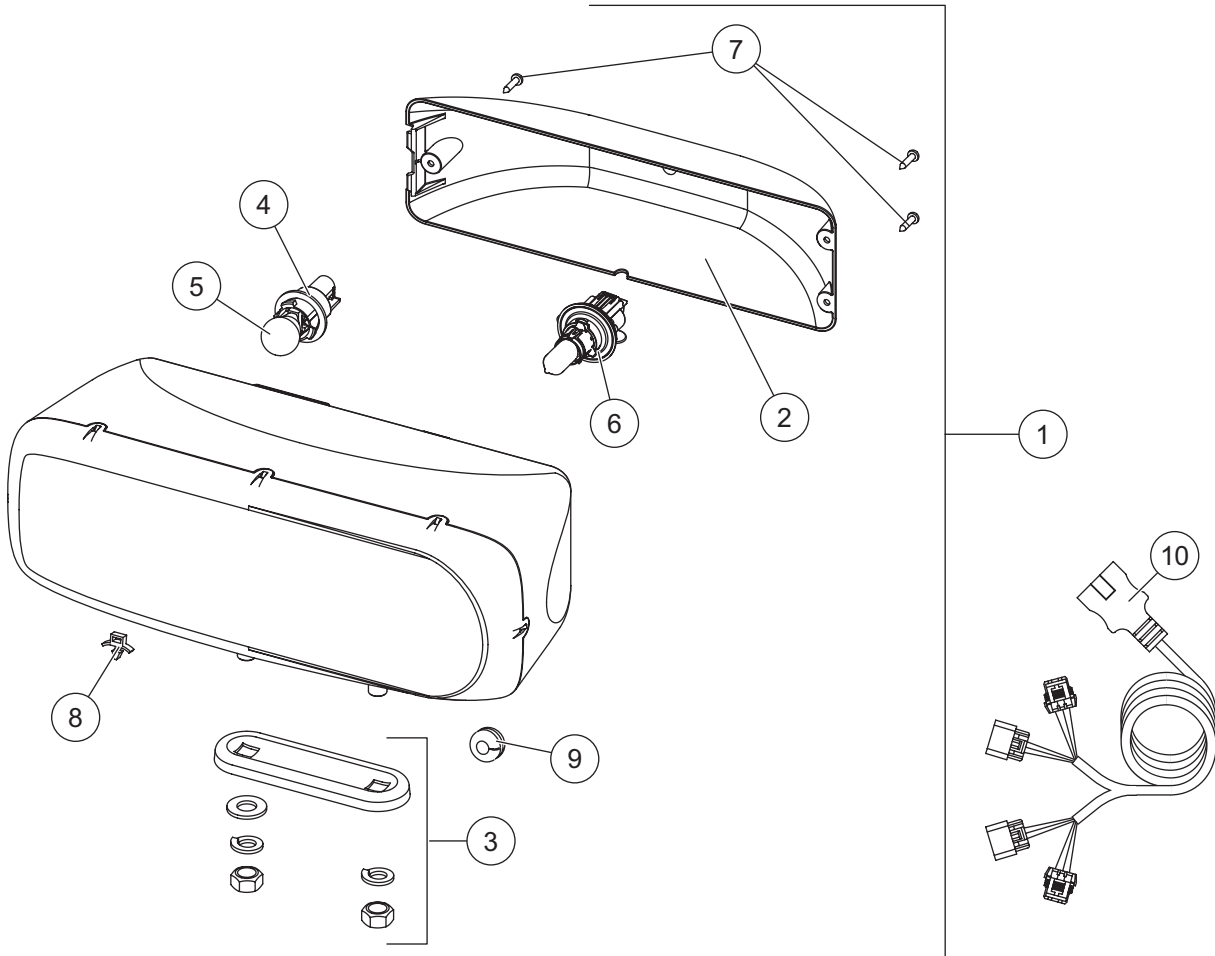
# VEHICLE-SIDE HARNESS DIAGRAM

## Vehicle-Side Harness Diagram 3-Port, 2-Plug System



# HEADLAMP KIT

## Headlamp Kit



**28800-1 Headlamp Kit (Pair)**

Item	Part	Qty	Description	Item	Part	Qty	Description
1	28802-1	1	Headlamp Service Kit – PS	6	28806	2	H13 Headlamp Bulb Service Kit
ns	28801-1	1	Headlamp Service Kit – DS	7	28808-1	2	Cover Screws Service Kit (3 screws)
2	28803-1	2	Rear Cover Kit (fits 2- or 3-screw)	8	56595	7	Cable Anchor Tie
3	28804	2	Mounting Hardware Kit	9	66130	2	Rubber Grommet
4	28805	2	Park/Turn Socket Service Kit	10	28213K	1	Harness Service Kit
5		2	Park/Turn Bulb (Trade No. 4157NAK)				

ns = not shown



TrynEx International, LLC  
531 Ajax Drive  
Madison Heights, MI 48071-2429  
[www.snowexproducts.com](http://www.snowexproducts.com)

 A DIVISION OF DOUGLAS DYNAMICS, LLC

Copyright © 2016 Douglas Dynamics, LLC. All rights reserved. This material may not be reproduced or copied, in whole or in part, in any printed, mechanical, electronic, film or other distribution and storage media, without the written consent of TrynEx International, LLC. Authorization to photocopy items for internal or personal use by TrynEx International, LLC, outlets or snowplow owner is granted.

TrynEx International, LLC, reserves the right under its product improvement policy to change construction or design details and furnish equipment when so altered without reference to illustrations or specifications used. TrynEx International, LLC or the vehicle manufacturer may require or recommend optional equipment for snow removal. Do not exceed vehicle ratings with a snowplow. TrynEx International, LLC, offers a limited warranty for all snowplows and accessories. See separately printed page for this important information. The following are registered (®) or unregistered (™) trademarks of Douglas Dynamics, LLC: Automatix®, HDV™, SECURITY GUARD™, SnowEx®.

**Printed in U.S.A.**