

This Manual Must Be Read Before Operating The Equipment

Owner / Operator's Manual



FOR MODELS

SP-575X Serial # B2-100000 and higher

SP-1075X Serial # C2-100000 and higher



Madison Heights, Michigan 48071
800-725-8377
www.snowexproducts.com

Customer Copy

Table of Contents



General Information	3
Introduction	4
Safety	5
Operating the Spreader	6
Spreader Maintenance	7
General Wiring Instructions	8
Control and Harness Diagram	9
Troubleshooting	10-11
Warranty	12
Spreader View	
Model # SP-575X / SP-1075X.....	13
Frame Assembly Parts Breakdown	
Model # SP-575X.....	14-15
Drive Assembly Parts Breakdown	
Model # SP-575X.....	16-17
Frame Assembly Parts Breakdown	
Model # SP-1075X.....	18-19
Drive Assembly Parts Breakdown	
Model # SP-1075X.....	20-21
Notes	22-23

Have a question or need assistance?

SnowEx Customer Care

(800) 725-8377

or (248) 586-3500

Monday through Friday 8:00 AM to 4:30 PM EST

Fax: (248) 691-8378

E-Mail: customercare@trynexfactory.com

Website: www.snowexproducts.com



General Information



CONGRATULATIONS!

The spreader you have purchased is an example of snow and ice control technology at its finest! Your spreader's self-contained design is a trademark of all SnowEx products. Here's why...

SIMPLICITY: Fewer moving parts manufactured of higher quality means minimal maintenance for your SnowEx spreader.

RELIABILITY: High impact linear low density polyethylene hopper. State-of-the-art electronic dual variable speed control, custom engineered powder coated frame, maximum torque 12-volt motor coupled to a custom engineered transmission; found only on SnowEx products.

VERSATILITY: Multi-use capabilities allows spreading of a variety of materials for snow and ice control.

WARRANTY: Best in the industry, hands down! 2 years standard and now 5 year extended (optional).

The benefits you are about to recognize are that of time, money and effort. We welcome you to the world of SnowEx Performance.

Registration

Record the following information in this manual for quick reference.

Spreader Model Number _____

Spreader Serial Number _____

Handheld Control Pendant Serial Number _____ Control Module Serial Number _____

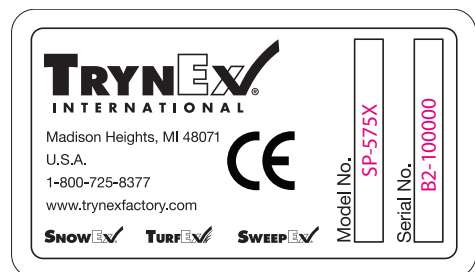
Date of Purchase _____

Dealer Where Purchased _____

When ordering Parts, the above information is necessary. This will help to see that you receive the correct parts.

At the right is a diagram of the ID tag. This tag on the spreader is located on the frame.

Please fill out the warranty card with all the necessary information to validate it. This will also give us a record so that any safety or service information can be communicated to you.



This manual has been designed for your help. It will assist you and instruct you on the proper set-up, installation and use of this spreader.

Refer to the table of contents for an outline of this manual.

We require that you read and understand the contents of this manual completely (especially all safety information) before attempting any procedure contained herein.



THIS SIGN SHOULD ALERT YOU:

The Society of Automotive Engineers has adopted this **SAFETY ALERT SYMBOL** to pinpoint characteristics that, if **NOT** carefully followed, can create a safety hazard. When you see this symbol in this manual or on the machine itself, **BE ALERT!** Your personal safety and the safety of others is involved.

Defined below are the **SAFETY ALERT** messages and how they will appear in this manual:



DANGER

(RED)

Information that, if not carefully followed, can cause death!



WARNING

(ORANGE)

Information that, if not carefully followed, can cause serious personal injury or death!




CAUTION

(YELLOW)

Information that, if not carefully followed, can cause minor injury or damage to equipment

Examples of Warning Decals To Indicate Operational Awareness

 WARNING
<ul style="list-style-type: none">• Keep hands, feet & loose clothing away from moving parts.• Disconnect power before servicing equipment.
D6192

 WARNING
<ul style="list-style-type: none">• Read owners manual before operating equipment.• Never remove spreader with material in hopper.
D6194



Before attempting any procedure in this book, these safety instructions must be read and understood by all workers who have any part in the preparation or use of this equipment.

For your safety warning and information decals have been placed on this product to remind the operator of safety precautions. If anything happens to mark or destroy the decals, please request new ones from SnowEx.



Remember, most accidents are preventable and caused by human error. Exercising of care and precautions must be observed to prevent the possibility of injury to operator or others!

Never operate equipment when under the influence of alcohol, drugs, or medications that might alter your judgment and/or reaction time.

Before working with the spreader, secure all loose fitting clothing and unrestrained hair.

Always wear safety glasses with side shields when servicing spreader. Failure to do this could result in serious injury to the eyes.

Never allow children to operate or climb on equipment.

Always check areas to be spread to be sure no hazardous conditions or substances are in the area.

Always inspect unit for defects: broken, worn or bent parts, weakened areas on spreader.

Remember it is the owner's responsibility to communicate information on safe usage and proper maintenance of all equipment.

Always make sure personnel are clear of areas of danger when using equipment.

Never weld or grind on equipment without having a fire extinguisher available.

Inspect the unit periodically for defects. Parts that are broken, missing or worn out must be replaced immediately. The unit or any part of it can not be altered without prior written permission from the manufacturer.

Always inspect pins and latches whenever attaching or detaching spreader, and before operation of spreader.

Never exceed 45 m.p.h. when loaded spreader is attached to vehicle. Braking distances may be increased and handling characteristics may be impaired at speeds above 45 m.p.h.



Never use wet materials or materials with foreign debris with any of these spreaders. These units are designed to handle dry, clean, free flowing material.

Never leave material in hopper for long periods of time. Be aware that all ice melters are hygroscopic and will attract atmospheric moisture and harden up.

Operating the Spreader

Model # SP-575X / SP-1075X

SPREADER LOADING

WARNING – Do not overload vehicle. Use chart below to calculate weight of material. Weights of material are an average for dry materials.

<u>Material</u>	<u>Weight Per Cubic Ft.</u>
Rock Salt	80-90 lbs.
Sand/Salt Mix	95-120 lbs.

- Warning – Never leave material in hopper for long periods of time as salt is hygroscopic and will attract atmospheric moisture and harden up. When spreading sand mix, a 1:1 ratio for Sand/Salt mix is recommended to prevent the material from freezing.

SPREADER OPERATION

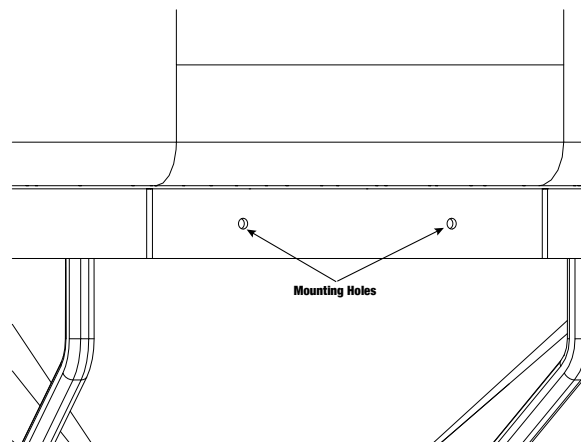
- The variable speed controller has finger-tip dial action, digital system status with warning protection and blast feature.
- To start, press “On” Button of Pendant. Press “Start/Stop” to begin spreading. Use “Start/Stop” or “Off” to stop spreading once in operation.
- Adjust speed of spinner by using dial in center of pendant.
- If more material is needed in certain areas, press the blast switch to give maximum power.

SPREADING TIPS

- Spread ice melters with the storm to prevent unmanageable levels of ice.
- Never exceed 10 m.p.h. when spreading.
- For a wider pass, increase spinner speed.
- For a heavier pass, drive slower.
- Never operate spreader near pedestrians.
- Calculate spread pattern when near vegetation.

LICENSE PLATE INSTALLATION (IF REQUIRED BY LOCAL LAWS)

- You will need (2) 1/4-20 X 1/2” machine screws along with nylock type nuts (not included with spreader)
- Install license plate to Mounting Holes provided in Spreader Apron (see illustration below)



Spreader Maintenance

Model # SP-575X / SP-1075X

- **WARNING** – When servicing is necessary, perform it in a protected area Do not use power tools in rain or snow because of danger of electrical shock or injury. Keep area well lighted. Use proper tools. Keep the area of service clean to help avoid accidents.
- **WARNING:** Never remove spreader with material in hopper.
- **WARNING:** Disconnect electricity to spreader before servicing.
- **CAUTION:** – When replacing parts use only original manufacturer’s parts. Failure to do so will void warranty.
- **CAUTION:** – The controller is a solid state electronic unit and is not serviceable. Any attempt to service will void warranty.
- **CAUTION:** - There are no serviceable parts in the motor/transmission assembly. Any attempt to service will void warranty.
- **CAUTION:** - Spinner motor is not designed for continuous duty. Allow motor to cool between long cycle times.
- **CAUTION:** – When pressure washing motor enclosure area, stay at least 36” away from motor enclosures.
- **ATTENTION:** Store control in cool dry place during the off season.
- Use dielectric grease on all electrical connections to prevent corrosion at the beginning and end of the season and each time power plugs are disconnected.
- Wash unit after each use to prevent material build-up and corrosion.
- Paint or oil all bare metal surfaces throughout and at the end of the winter season.
- Apply small amount of light oil to latches as needed.
- After first use, tighten all nuts and bolts on spreader and mount.

General Wiring Instructions



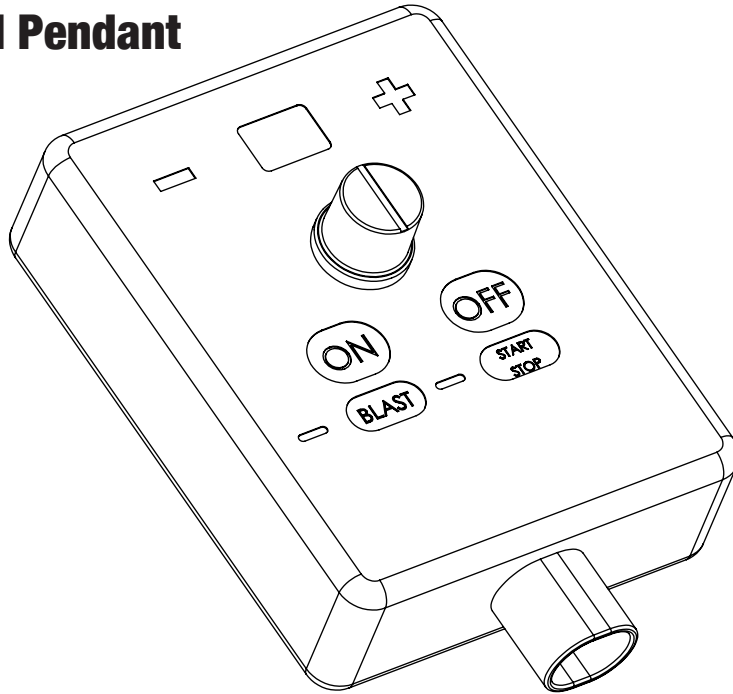
Model # SP-575X / SP-1075X

- Step 1:** Route Vehicle Harness Assembly and route from the rear of vehicle to front. Route harness along frame and attach to frame holes and frame supports. It is not recommended to attach to fuel or brake lines for obvious reasons. Do not route close to exhaust system or engine, even though Snowex uses high temperature wiring, it still could melt under extreme heat and short the spreader electrical system, as well as the vehicle electrical system.
- Step 2:** Mount rear plug on bumper using supplied bolts, locate towards the center of the bumper to reduce the amount of debris it catches from the tires. Important: Apply a small amount of dielectric grease to the plug.
- Step 3:** Secure harness from the rear to the front using heavy duty ty-wraps or frame clips along the frame and lighter duty ty-wraps everywhere else.
- Step 4:** Find a location along the firewall where the Control Module can be attached. Mount Control Module to firewall with included hardware.
- Step 5:** Connect Harness to Control Module and to Vehicle Battery.
- Step 6:** Drill a hole in the firewall or use an existing hole; Route Data Cable from Control Module into the cab. Secure as needed to prevent the Data Cable getting caught in moving parts.
- Step 7:** Plug Control Pendant into Data Cable. Push "ON" Button to test for power.
- Step 8:** Stick Hook-and-Loop ("Velcro") to back of Pendant and to Dash.

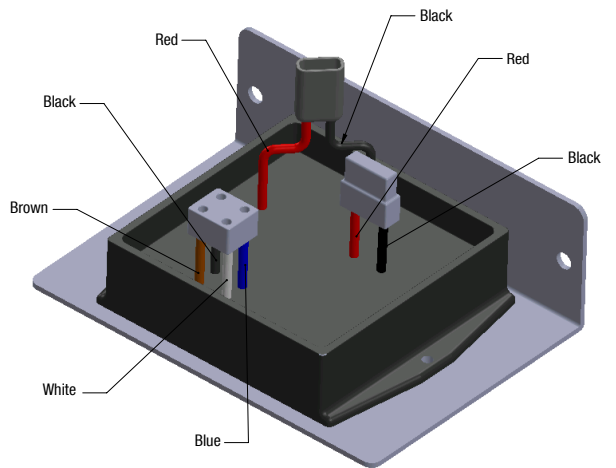
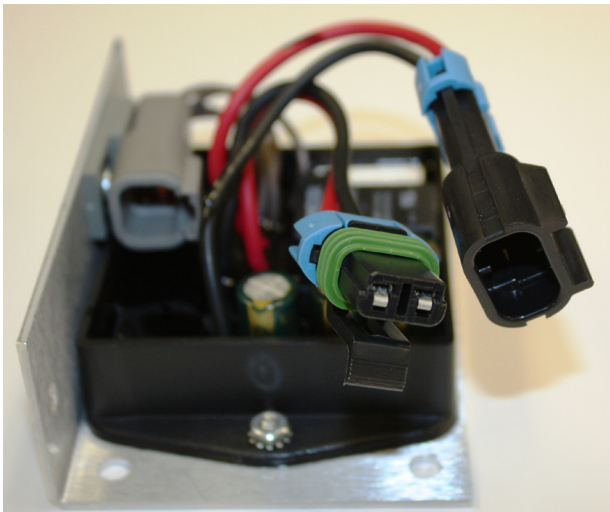
Control Diagram

Model # SP-575X / SP-1075X

F50607 Control Pendant



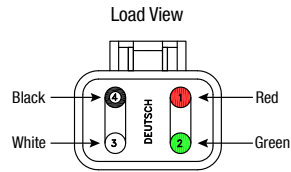
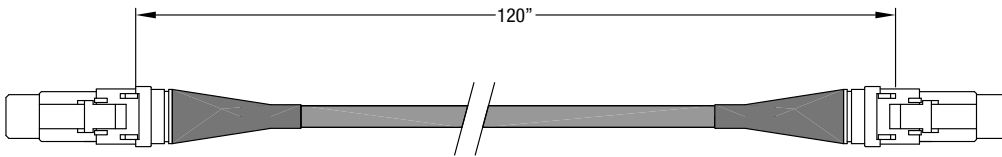
F50576 Spreader Control



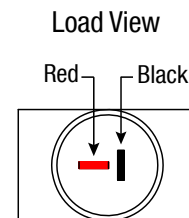
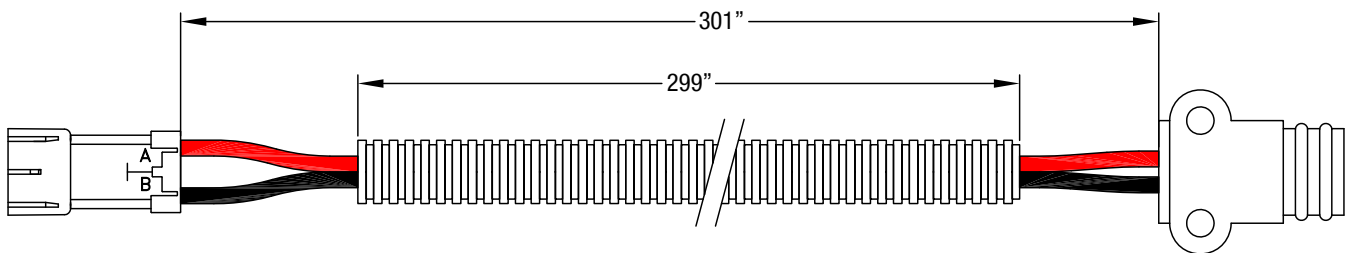
Harness Diagram

Model # SP-575X / SP-1075X

F50578 Data Cable



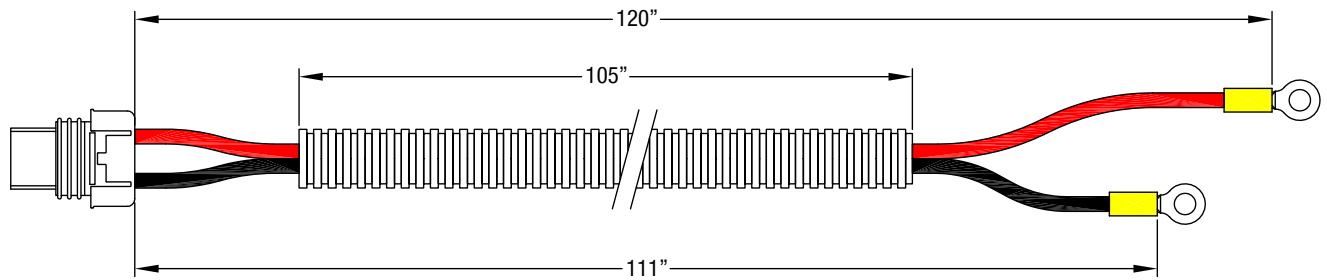
F50579 Vehicle Harness



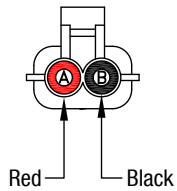
Harness Diagram

Model # SP-575X / SP-1075X

F50580 Battery Harness



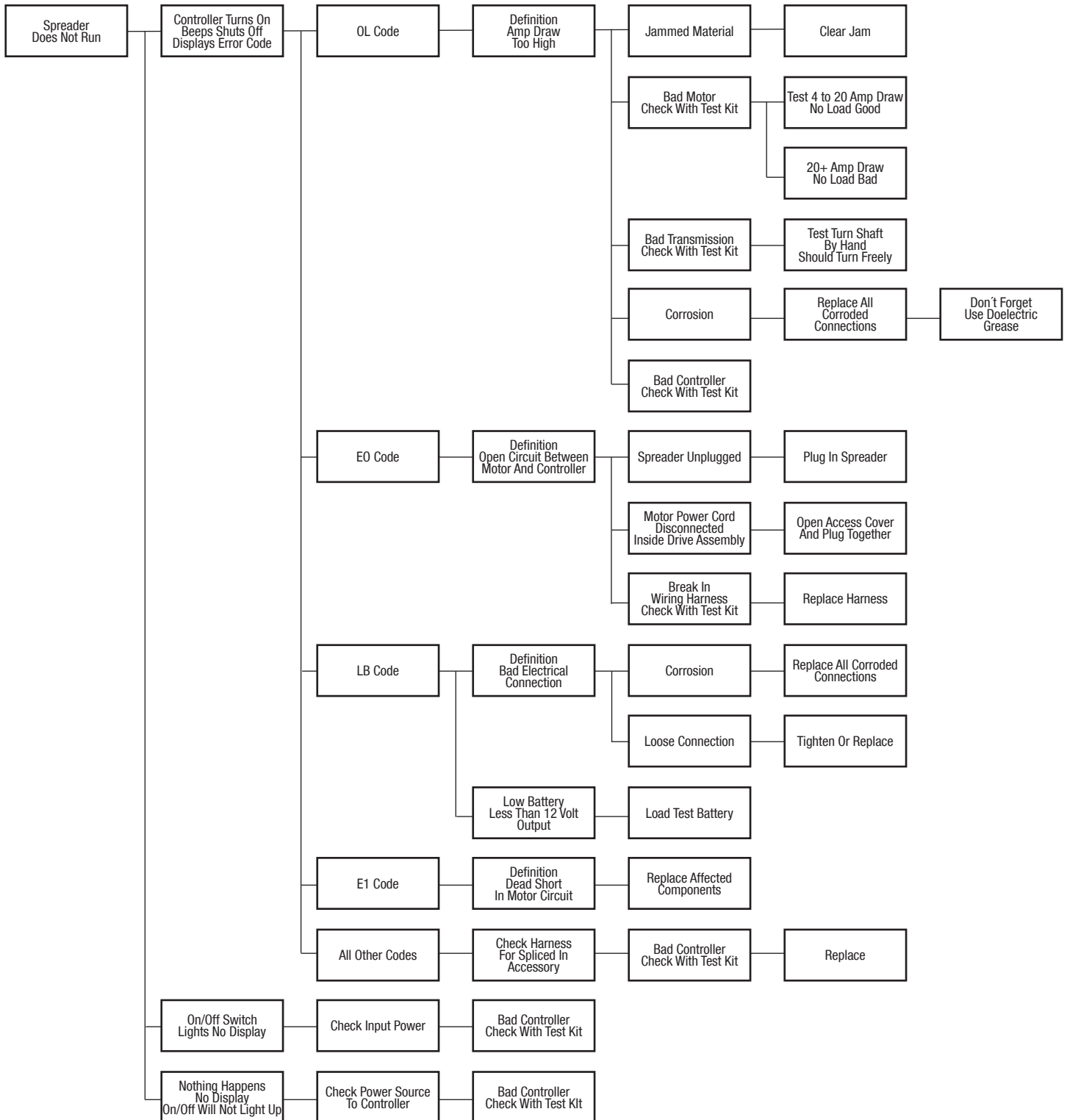
Load View



Troubleshooting



Model # SP-575X / SP-1075X

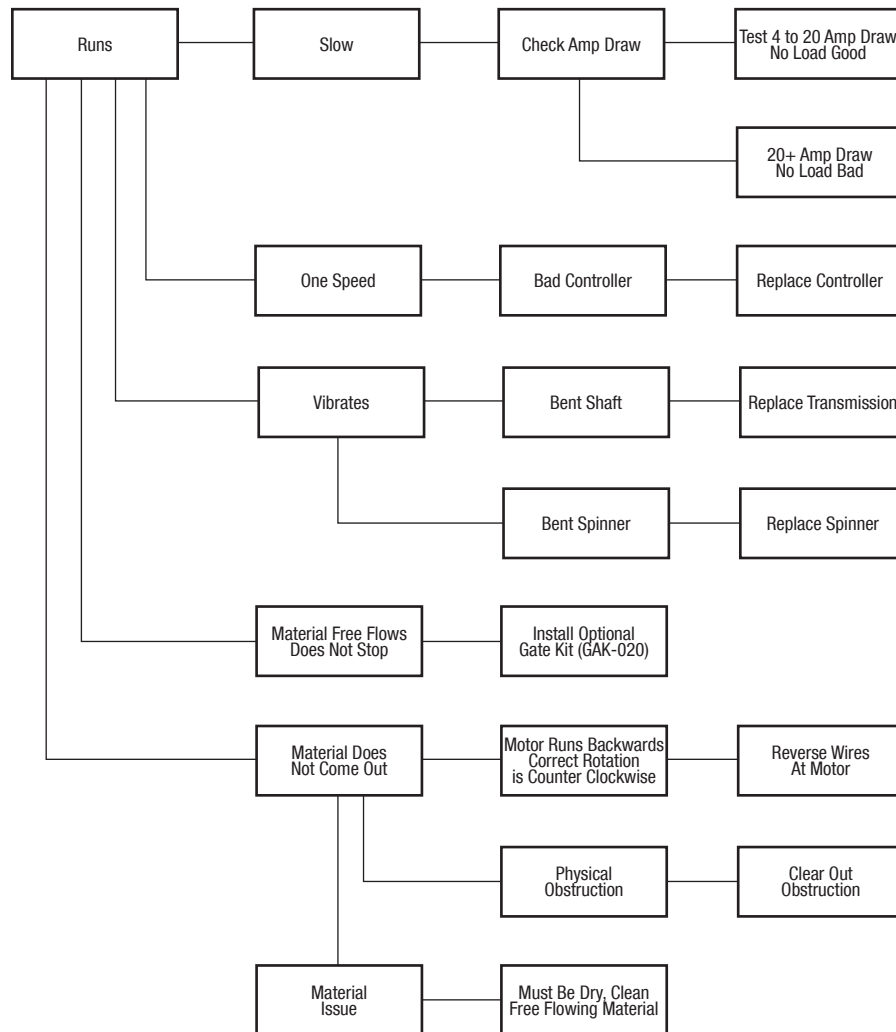


Snowex Diagnostic Test Kit (STK-090) Is Available To Accurately Diagnose Any Issues With SnowEx Spreaders. Call Your Dealer For Details.

Troubleshooting



Model # SP-575X / SP-1075X



NOTE: Optional Vibrator Kit Available to Increase Material Flow

Snowex Diagnostic Test Kit (STK-090) is Available To Accurately Diagnose Any Issues With SnowEx Spreaders. Call Your Dealer For Details.

Limited Warranty

Snowex products are warranted for a period of two years from the date of purchase against defects in material or workmanship under normal use and service, subject to limitations detailed below. Warranty period of two years begins on the date of purchase by the original retail user.

The WARRANTY REGISTRATION CARD must be returned to the manufacturer for this warranty to become effective. This warranty applies to the original retail purchaser only. This warranty does not cover damages caused by improper installation, misuse, lack of proper maintenance, alterations or repairs made by anyone other than authorized Snowex dealers or Snowex personnel. Due to the corrosive properties of the materials dispensed by spreaders, Trynex does not warrant against damage caused by corrosion. Warranty claims by the user must be made to the dealer from where the product was purchased, unless otherwise authorized by Snowex. Snowex reserves the right to determine if any part is defective and to repair or replace such parts as it elects. This warranty does not cover shipping costs of defective parts to or from the dealer.

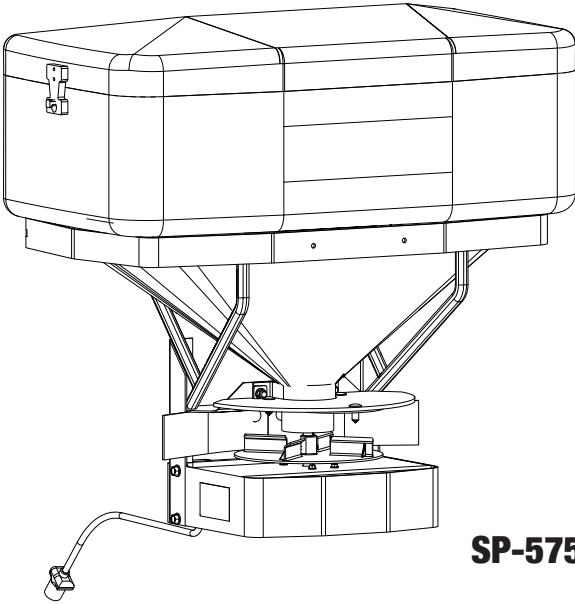
LIMITATION OF LIABILITY

Neither Snowex, nor any company affiliated with it, makes any warranties, representations for promise as to the performance or quality other than what is herein contained. The liability of Snowex to the purchaser for damages arising out of the manufacture, sale, delivery, use or resale of this spreader shall be limited to and shall not exceed the costs of repair or replacement of defective parts. Snowex shall not be liable for loss of use, inconvenience or any other incidental, indirect or consequential damages, so the above limitations on incidental or consequential damages may not apply to you.

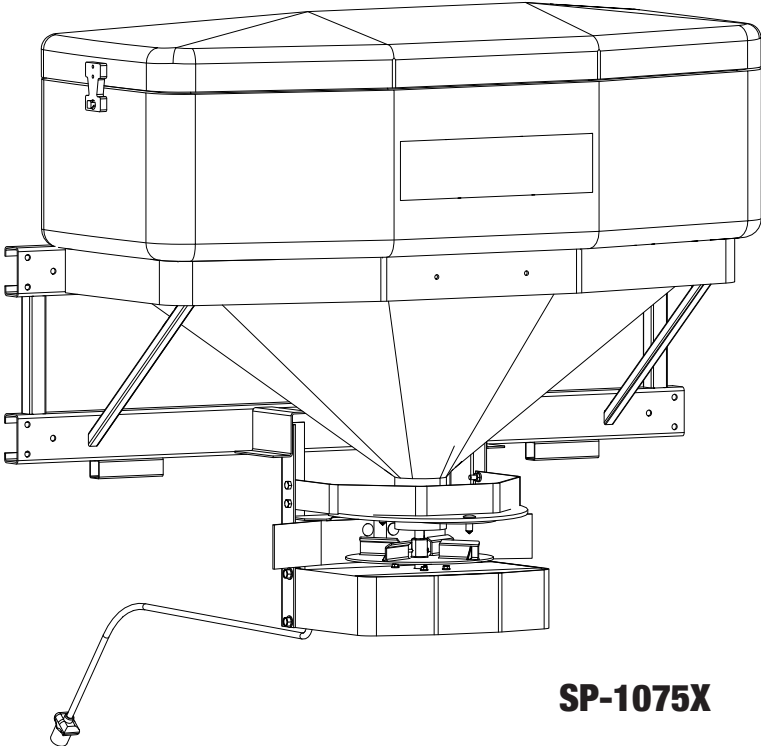
NO DEALER HAS AUTHORITY TO MAKE ANY REPRESENTATION OR PROMISE ON BEHALF OF SNOWEX, OR TO ALTER OR MODIFY THE TERMS OR LIMITATIONS OF THIS WARRANTY IN ANY WAY.

Spreader Views

Model # SP-575X / SP-1075X



SP-575X

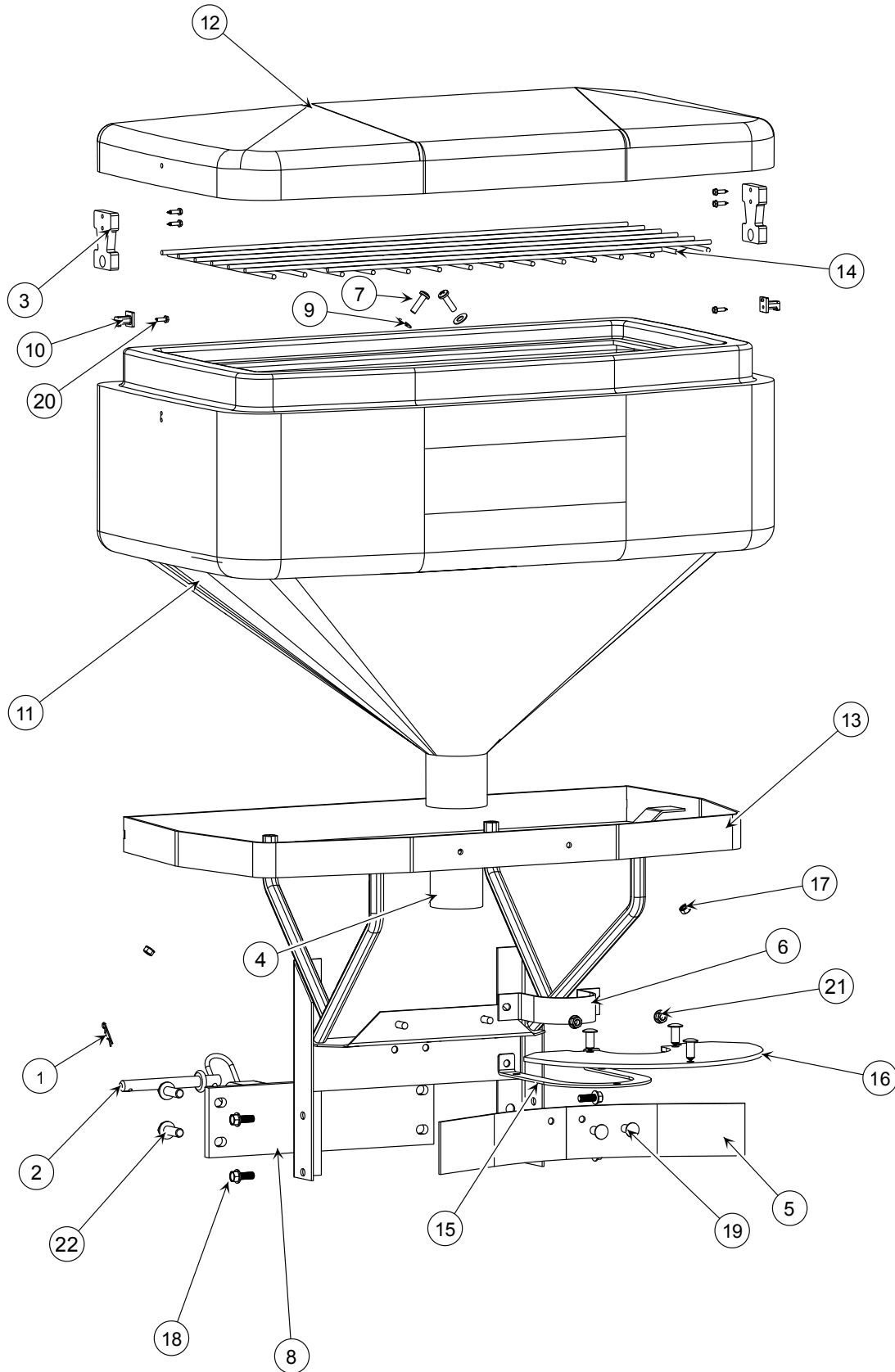


SP-1075X

Frame Assembly Parts Breakdown

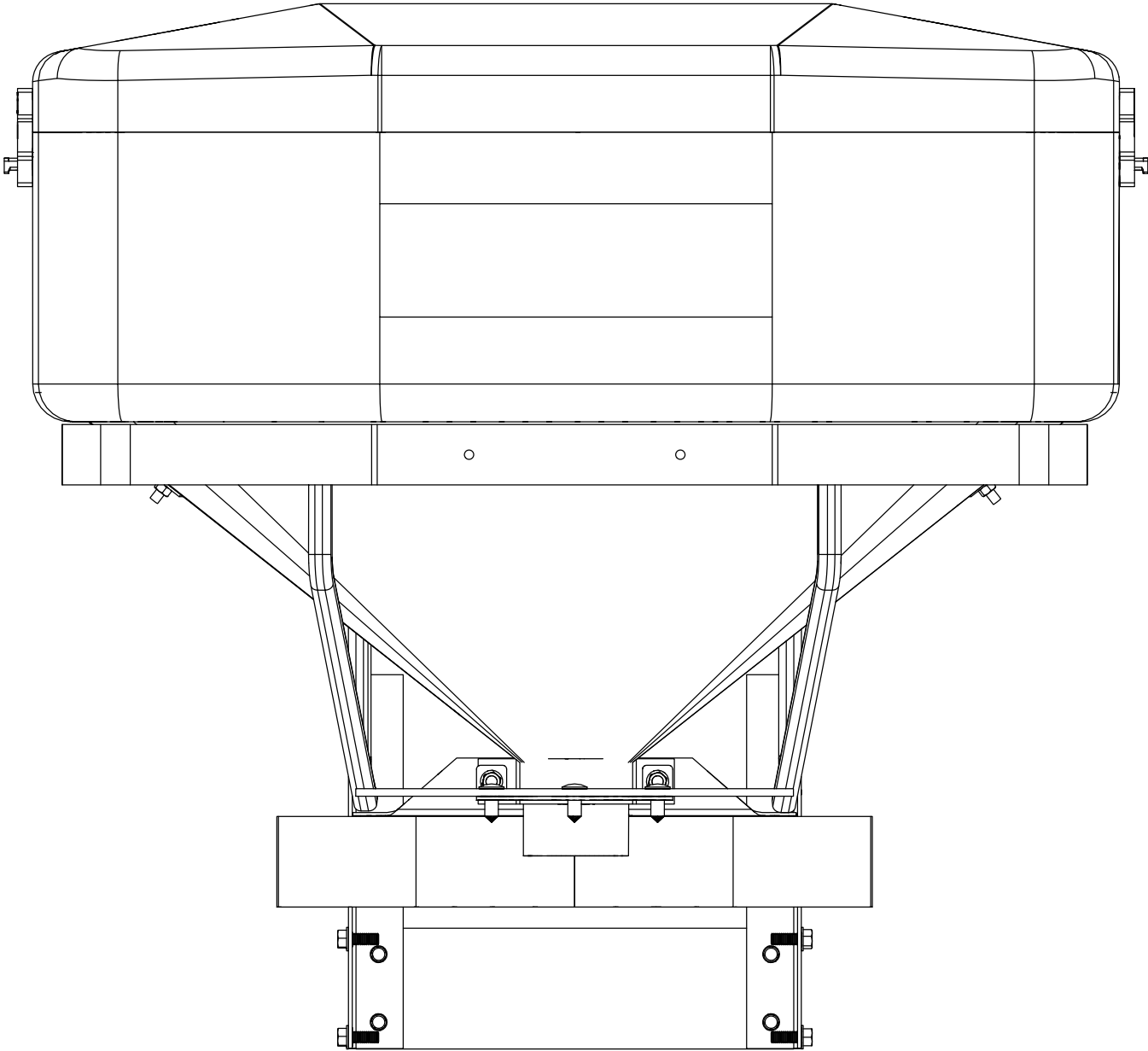


Model # SP-575X



Frame Assembly Parts Breakdown

Model # SP-575X



BOM ID	Description	Qty
1	D4135	1
2	D4136	1
3	D6105	2
4	D6108	1
5	D6110	1
6	D6129	1

BOM ID	Description	Qty
7	D6137	2
8	D6149	1
9	D6169	2
10	D6198	2
11	D6239	1
12	D6240	1

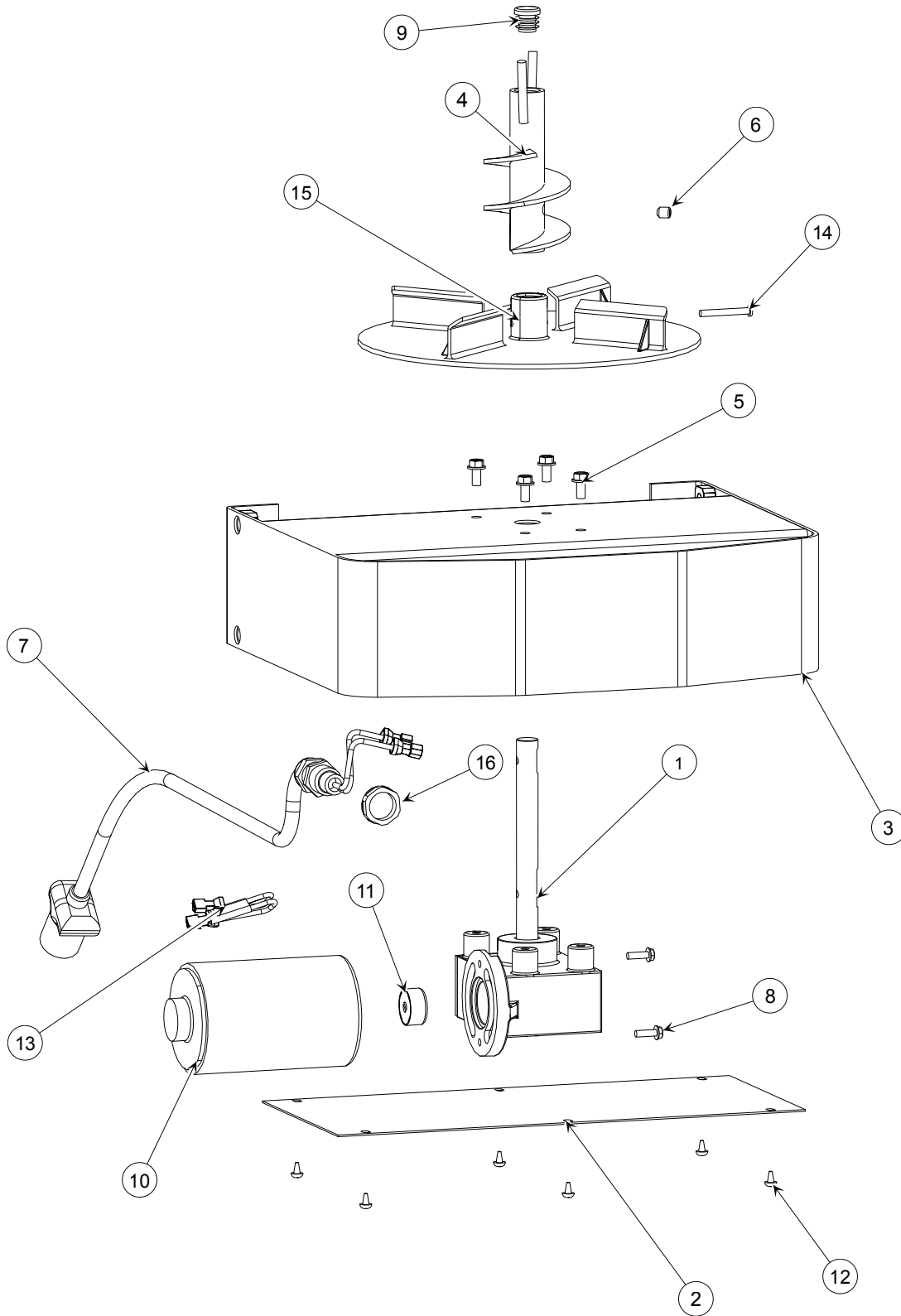
BOM ID	Description	Qty
13	D6245	1
14	D6257	1
15	D6276	1
16	D6277	1
17	D6394	2
18	D6452	4

BOM ID	Description	Qty
19	D6463	5
20	D6553	6
21	D6584	2
22	T40109	4

Drive Assembly Parts Breakdown



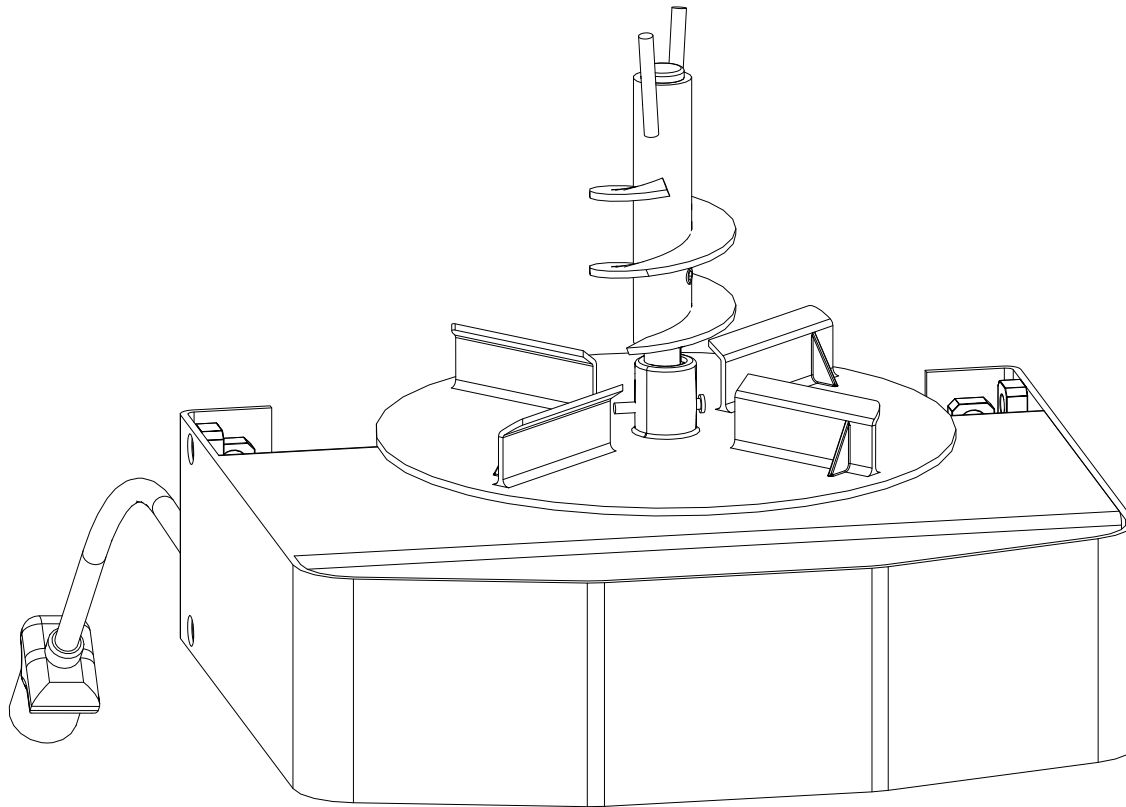
Model # SP-575X



Drive Assembly Parts Breakdown



Model # SP-575X



Complete Drive Assembly D6117

BOM ID	Description	Qty
1	D6107	1
2	D6109	1
3	D6111	1
4	D6122	1
5	D6131	4
6	D6140	1

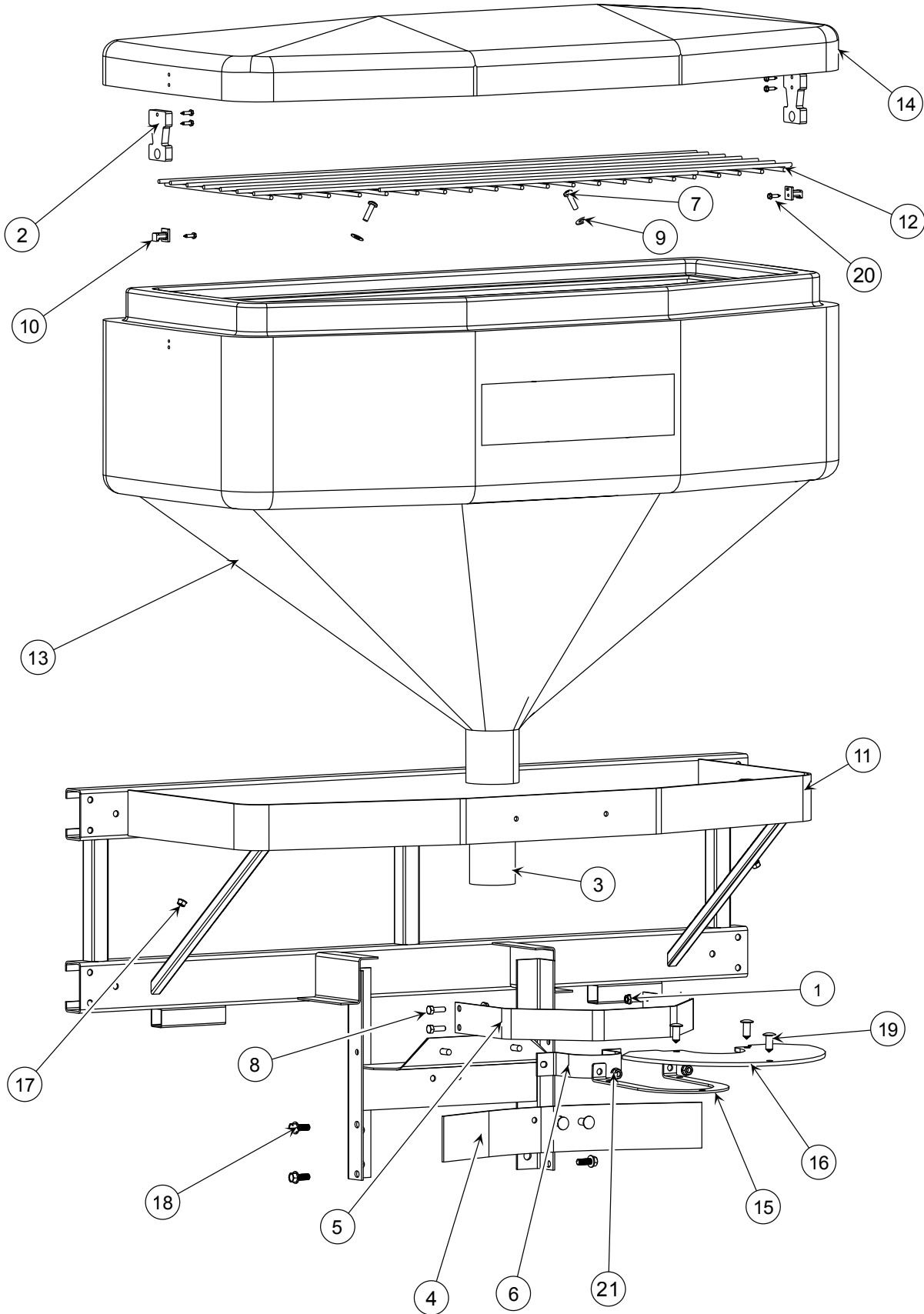
BOM ID	Description	Qty
7	D6162	1
8	D6172	2
9	D6191	1
10	D6214	1
11	D6232	1
12	D6467	6

BOM ID	Description	Qty
13	D6652	1
14	D6746	1
15	D6750	1
16	D6781	1

Frame Assembly Parts Breakdown

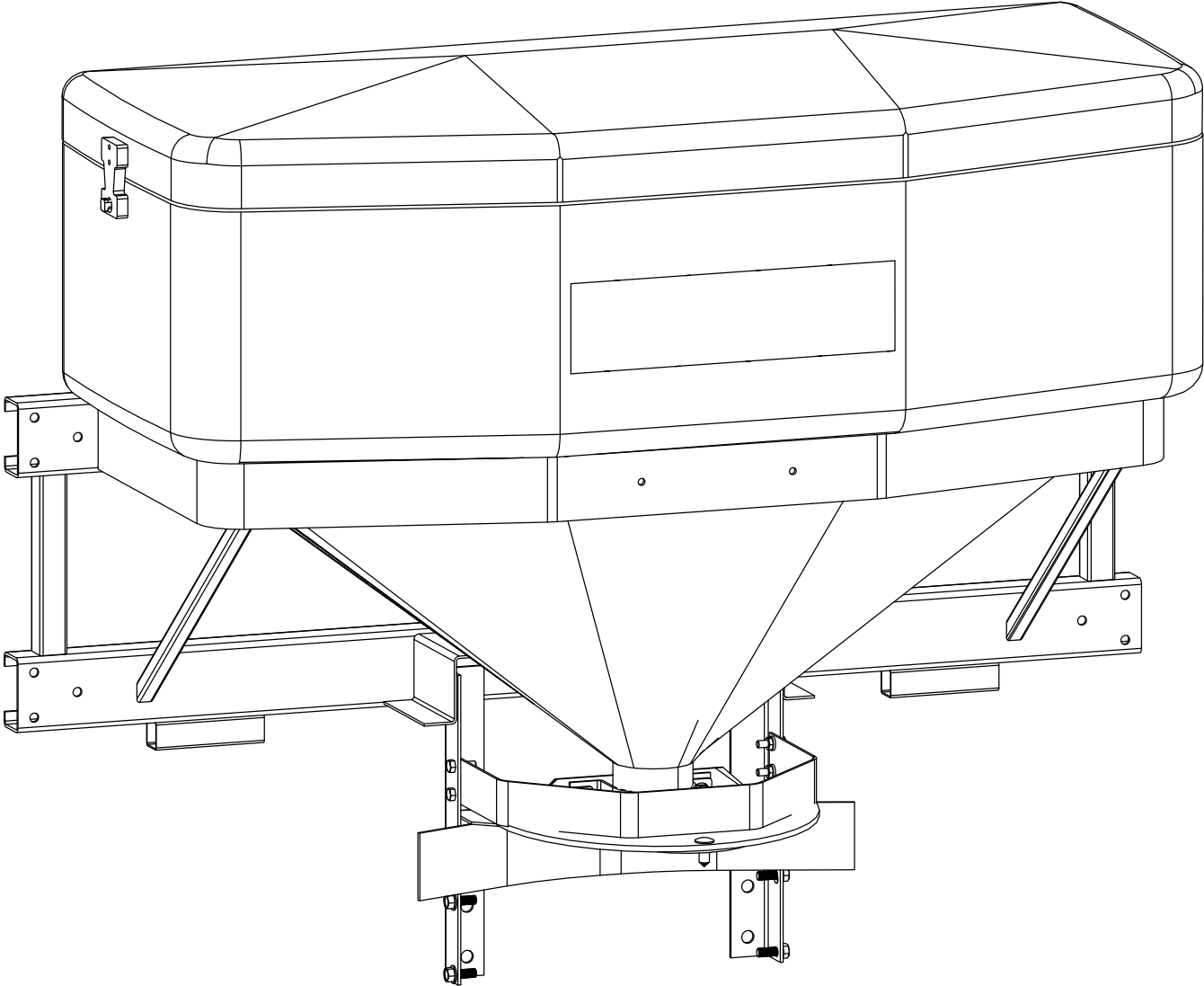


Model # SP-1075X



Frame Assembly Parts Breakdown

Model # SP-1075X



BOM ID	Description	Qty
1	D5706	4
2	D6105	2
3	D6108	1
4	D6110	1
5	D6128	1
6	D6129	1

BOM ID	Description	Qty
7	D6137	2
8	D6166	4
9	D6169	2
10	D6198	2
11	D6260	1
12	D6261	1

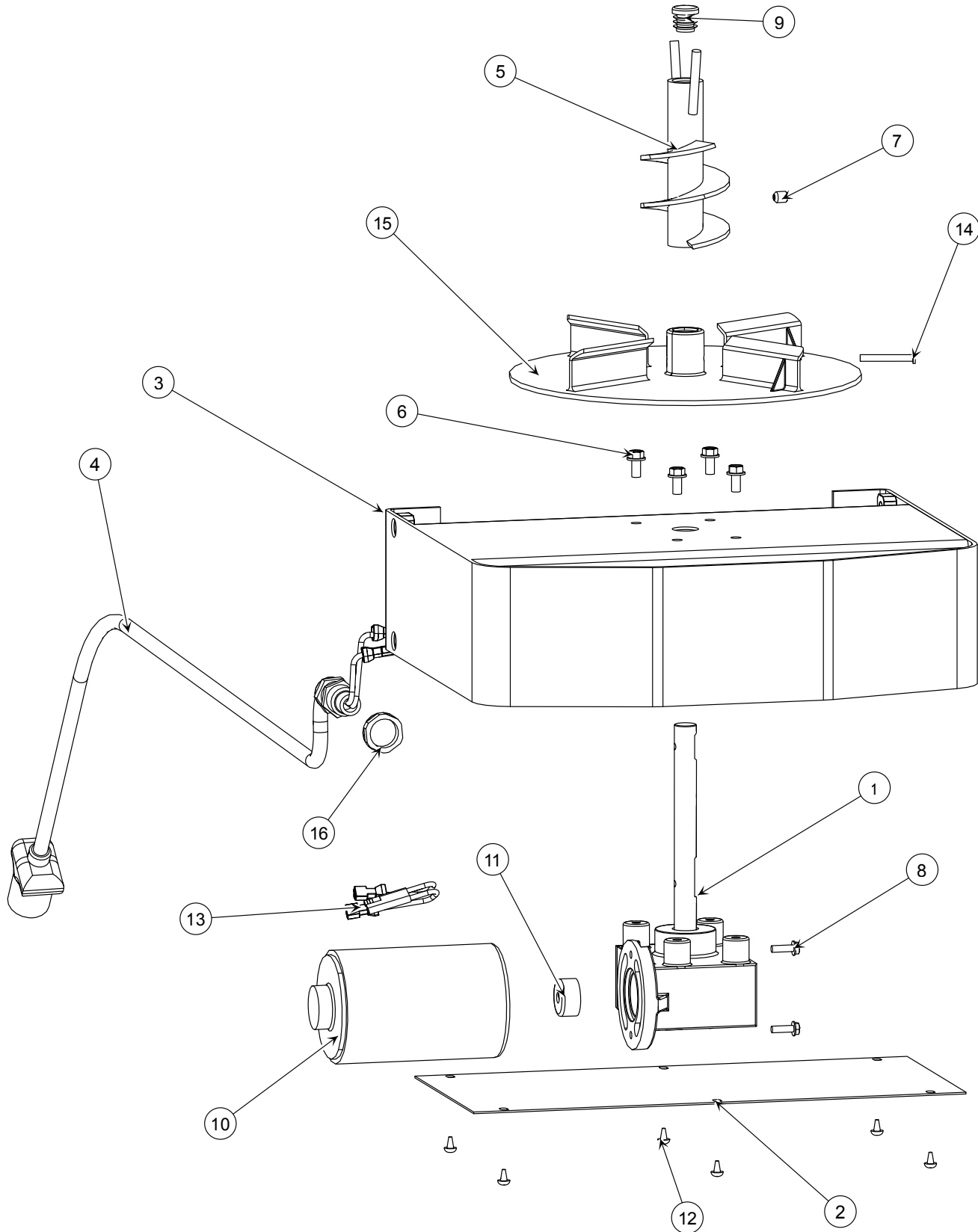
BOM ID	Description	Qty
13	D6262	1
14	D6263	1
15	D6276	1
16	D6277	1
17	D6394	2
18	D6452	4

BOM ID	Description	Qty
19	D6463	5
20	D6553	6
21	D6584	2

Drive Assembly Parts Breakdown

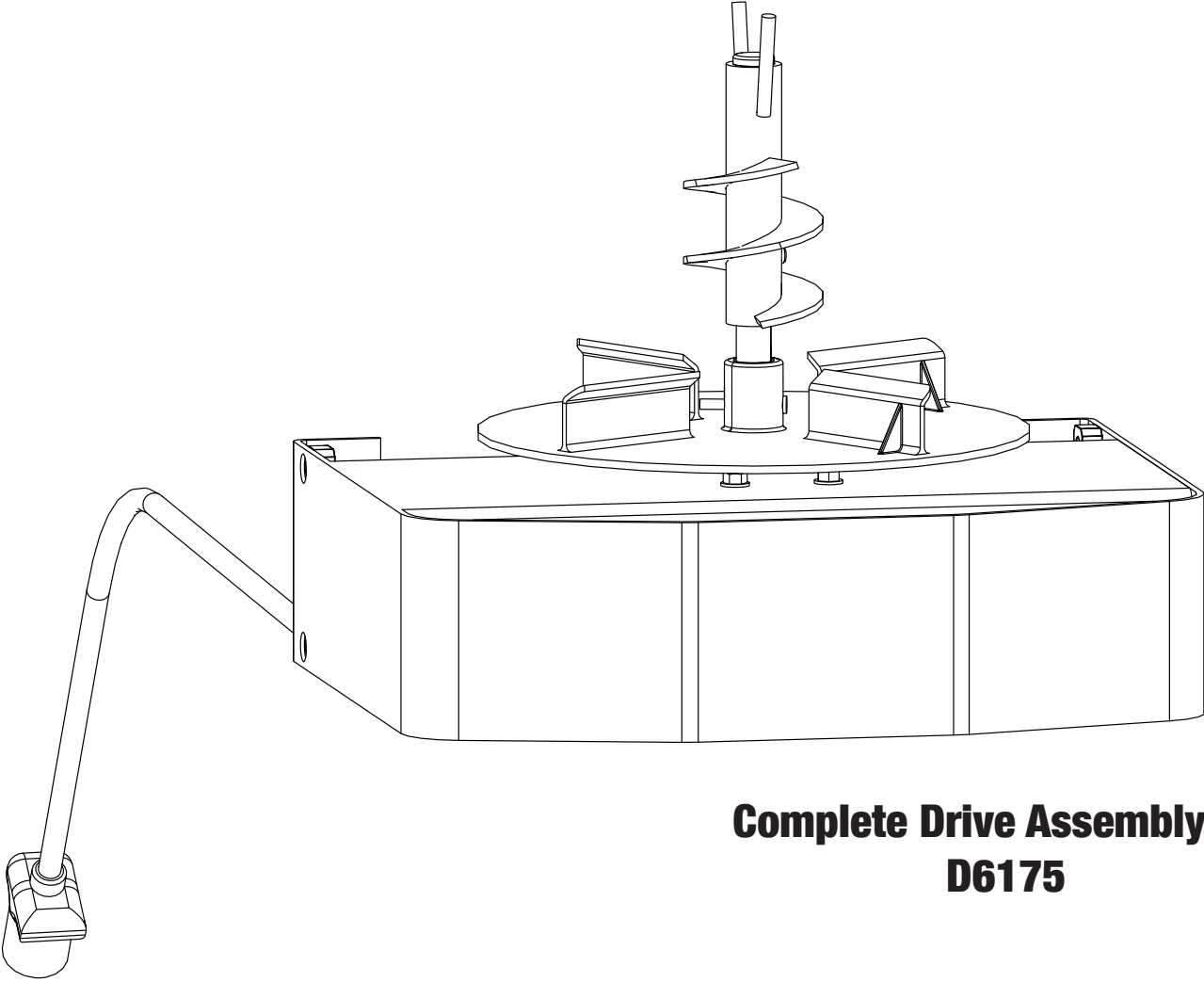


Model # SP-1075X



Drive Assembly Parts Breakdown

Model # SP-1075X



**Complete Drive Assembly
D6175**

BOM ID	Description	Qty
1	D6107	1
2	D6109	1
3	D6111	1
4	D6115	1
5	D6122	1
6	D6131	4

BOM ID	Description	Qty
7	D6140	1
8	D6172	2
9	D6191	1
10	D6214	1
11	D6232	1
12	D6467	6

BOM ID	Description	Qty
13	D6652	1
14	D6746	1
15	D6750	1
16	D6781	1

Notes



