

INSTALLATION INSTRUCTIONS

⚠ WARNING
Do not exceed GVWR or GAWR including blade and ballast. The rating label is found on the driver-side vehicle door cornerpost.

⚠ WARNING
Blade can drop unexpectedly. Place T-frame on jack stands. Failure to do so could result in serious personal injury.

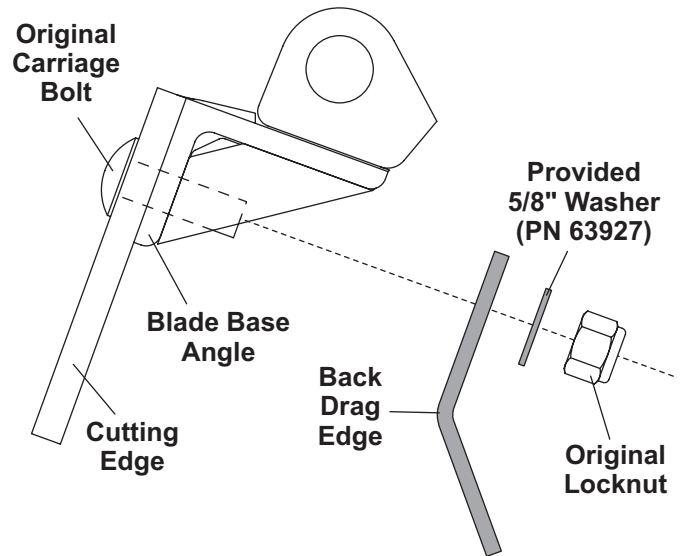
⚠ CAUTION
Read this document before installing the back drag edges.

⚠ CAUTION
Use standard methods and practices when attaching snowplow and installing accessories including proper personal protective safety equipment.

⚠ CAUTION
See your sales outlet for specific vehicle application recommendations before installation. Back drag edge kit weight information can be found in the Kit Selection Guide/Selection List.

1. Raise the blade, then turn the control to the OFF position. From the side of the blade assembly, place a jack stand or sturdy blocking under the T-frame.
2. Turn the control to the ON position, then lower the blade onto the jack stands or blocking. Turn the control and vehicle ignition to the OFF position.

3. On the driver side, remove the locknuts that secured the cutting edge to the blade without removing the carriage bolts or cutting edge.
4. Install the back drag edge against the back of the blade base angle and onto the original cutting edge carriage bolts. Secure both the cutting edge and back drag edge to the base angle with the provided washers and the original locknuts.



5. Torque fasteners to 150 ft-lb.
6. Repeat Steps 3–5 on the passenger side.
7. Turn the vehicle ignition and the control to the ON position. Raise the blade slightly from the jack stands. Turn the control to the OFF position, and remove the jack stands.
8. Stand 8' clear of the blade drop zone, and lower the blade to the ground.

Copyright © 2007 Douglas Dynamics, L.L.C. All rights reserved. This material may not be reproduced or copied, in whole or in part, in any printed, mechanical, electronic, film or other distribution and storage media, without the written consent of the company. Authorization to photocopy items for internal or personal use by the company's outlets or snowplow owner is granted.

The company reserves the right under its product improvement policy to change construction or design details and furnish equipment when so altered without reference to illustrations or specifications used. This equipment manufacturer or the vehicle manufacturer may require or recommend optional equipment for snow removal. Do not exceed vehicle ratings with a snowplow. The company offers a limited warranty for all snowplows and accessories. See separately printed page for this important information.

Printed in U.S.A.