



Fisher Engineering

50 Gordon Drive, Rockland, Maine 04841-2139 • www.fisherplows.com

80152, 80190

January 15, 2019
Lit. No. 70499, Rev. 01

SPEED»CASTER™ 525

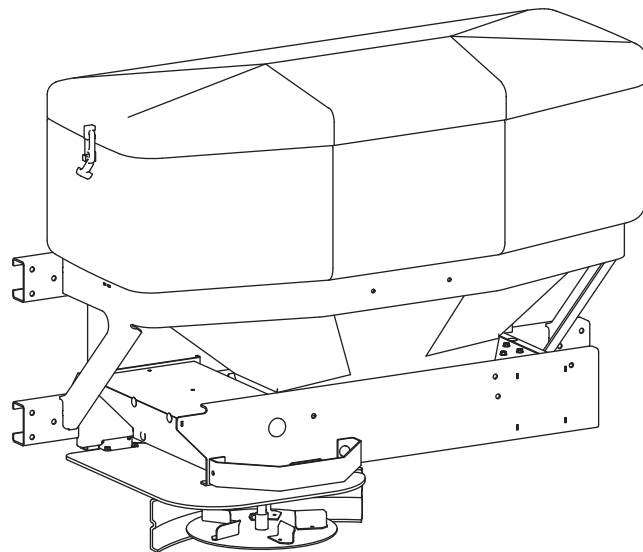
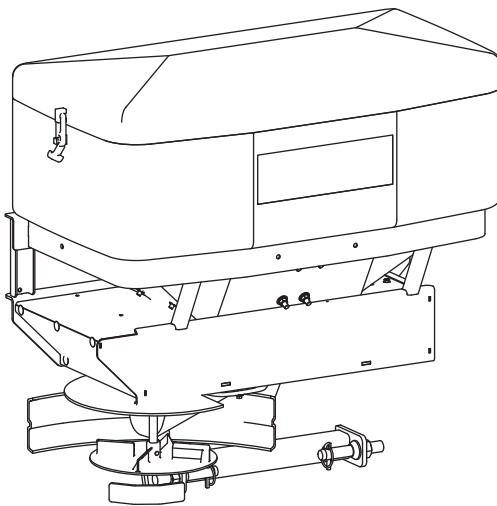
SPEED»CASTER™ 900

Hopper and Drive Components

SPEED-CASTER™ 525, SPEED-CASTER™ 900

Low-Profile Tailgate Spreader

Parts List

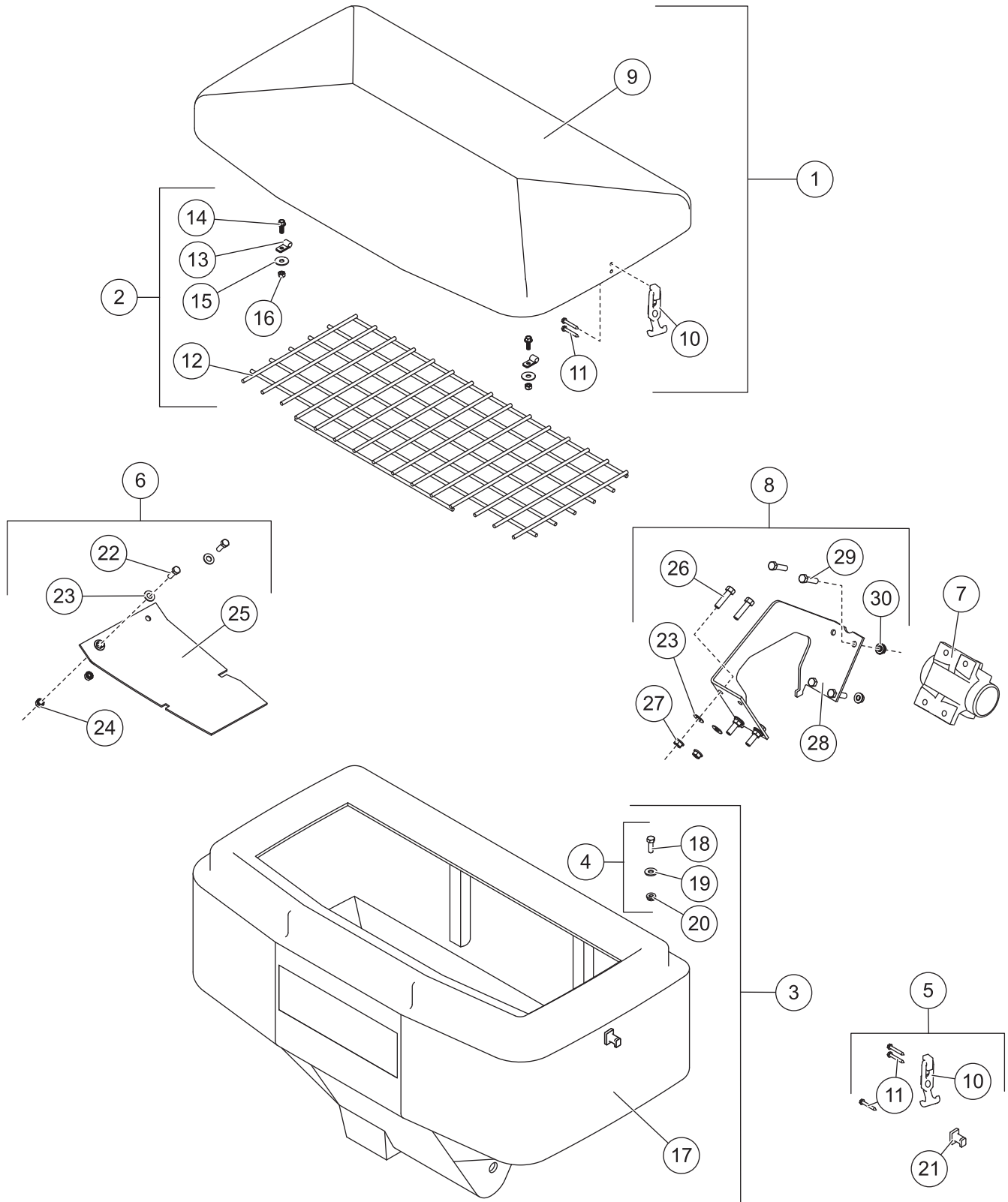


This Parts List is for FISHER® SPEED-CASTER 525 & SPEED-CASTER 900
Low-Profile Tailgate Spreaders with serial numbers beginning with 160801 through 170503.

A DIVISION OF FISHER, LLC

SPEED-CASTER™ 525 TAILGATE SPREADER

HOPPER, VIBRATOR & BAFFLE



SPEED-CASTER™ 525 TAILGATE SPREADER

Hopper, Vibrator & Baffle							
Item	Part	Qty	Description	Item	Part	Qty	Description
1	75630	1	Lid Kit	5	75612	1	Hopper Strap Kit
2	75655	1	Top Screen Kit 30 x 14	6	75657	1	Baffle Kit
3	75907	1	Hopper Kit SPEED-CASTER 525*	7	75673	1	Vibrator, DC-80
4	75659	1	Hopper Hardware Kit	8	75658	1	Vibrator Mount Kit
Item 1				75630 Lid Kit			
9		1	Lid Assembly	11		4	#10 x 3/4 Hex Washer-Head Tapping Screw SS
10		2	Flexible Draw Latch				
Item 2				75655 Top Screen Kit 30 x 14			
12		1	Top Screen 30 x 14	15		2	1/4 x 1 Washer
13		2	5/16 Clamp	16		2	1/4 Hex Locknut SS
14		2	1/4-20 x 3/4 Hex Cap Screw Serrated Flange SS				
Item 3				75907 Hopper Kit SPEED-CASTER 525*			
4	75659	1	Hopper Hardware Kit	17		1	Hopper 5.25 ft ³ – Yellow
Item 4				75659 Hopper Hardware Kit			
18		4	5/16-18 x 1 Hex Cap Screw	20		4	5/16-18 Serrated Flange Nut
19		4	5/16 Flat Washer				
Item 5				75612 Hopper Strap Kit			
10		2	Flexible Draw Latch	21		2	Latch Keeper
11		6	#10 x 3/4 Hex Washer-Head Tapping Screw SS				
Item 6				75657 Baffle Kit			
22		2	5/16-18 x 1-1/4 Hex Cap Screw SS	24		2	5/16-18 Hex Locknut SS
23		2	3/8 Flat Washer SS	25		1	Material Baffle
Item 8				75658 Vibrator Mount Kit			
23		4	3/8 Flat Washer SS	28		1	Vibrator Mount Bracket
26		4	3/8-16 x 1 Hex Cap Screw SS	29		4	3/8-16 x 1-1/2 Hex Cap Screw
27		4	3/8-16 Serrated Flange Nut	30		4	3/8-16 Hex Locknut
SS = Stainless Steel							

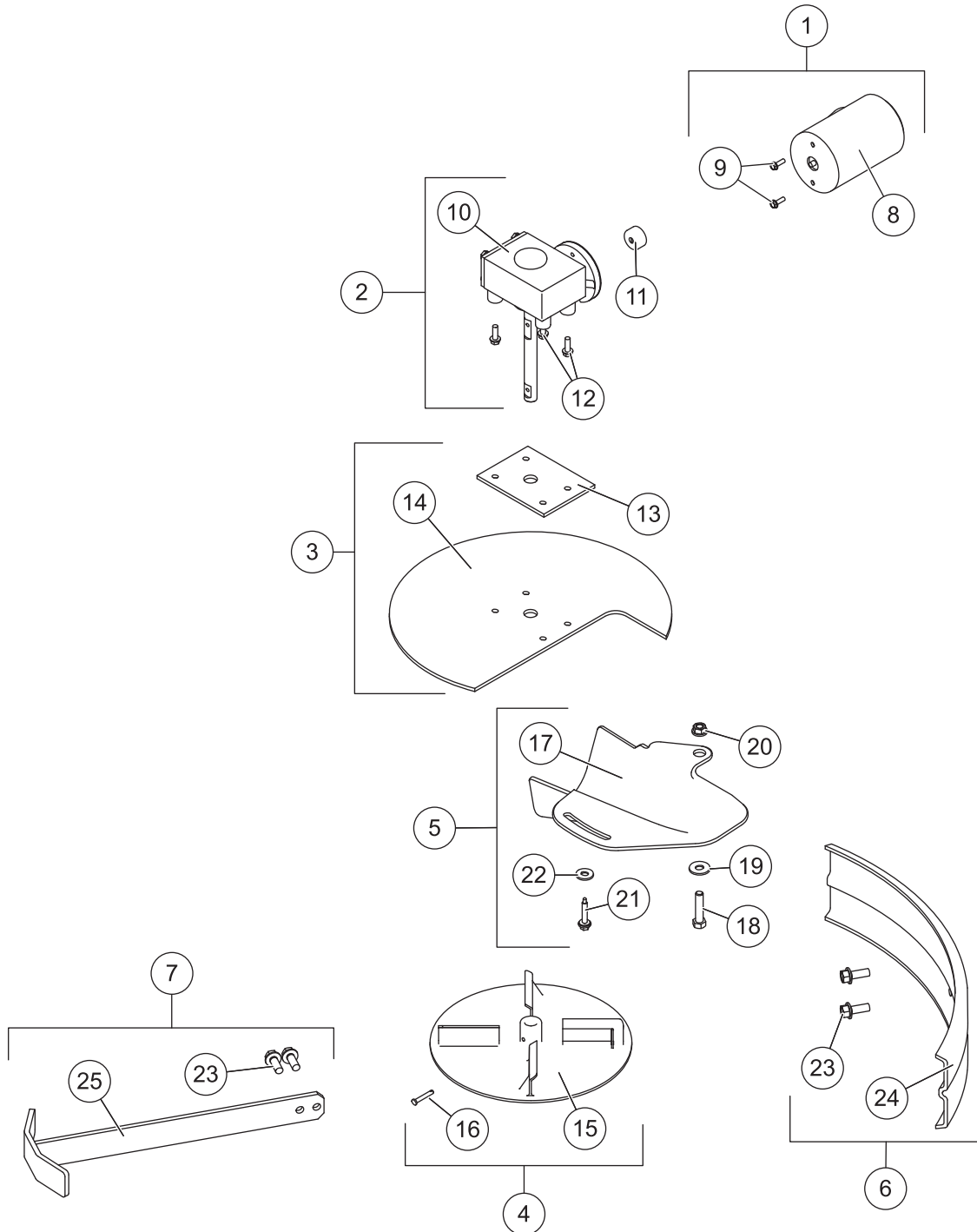
* Hopper ships with two latch keepers installed.

SPEED-CASTER™ 525 TAILGATE SPREADER

Frame, Auger & Hitch							
Item	Part	Qty	Description	Item	Part	Qty	Description
1	75903	1	Frame Kit	8	75654	1	Hitch Kit
2	75667	1	Side Cover Kit	9	75666	1	Lift Arm Pin Kit
3	75558	1	Spinner Drive Cover Kit	10	43903	1	Label – Identity, SPEED-CASTER 525
4	75661	1	Auger Kit	11	75621	1	Label – Warning, Hands and Feet
5	75660	1	Bearing Kit	12	75669	1	Label – Warning, Rotating Auger
6	75901	1	Motor Kit	13	75623	1	Label – Warning, Read Manual
7	75670	1	Auger Transmission Kit				
Item 1				75903 Frame Kit			
10	43903	1	Label – Identity, SPEED-CASTER 525	13	75623	1	Label – Warning, Read Manual
11	75621	1	Label – Warning, Hands and Feet	14		1	Main Frame
12	75669	1	Label – Warning, Rotating Auger				
Item 2				75667 Side Cover Kit			
15		1	Drive Cover	16	79334	6	1/4 x 3/4 x 1/2 Push Retainer Nylon
Item 3				75558 Spinner Drive Cover Kit			
16	79334	6	1/4 x 3/4 x 1/2 Push Retainer Nylon	17		1	Spinner Drive Cover
Item 4				75661 Auger Kit			
18		1	2-5/8 x 14 x 1-3/8 Auger	20		1	5/16-18 x 3/8 Socket Head Set Screw
19		1	5/8 Flat Washer Nylon				
Item 5				75660 Bearing Kit			
21	68662	1	5/8 Bearing 4-Bolt Flange	22		4	3/8-16 Serrated Flange Nut
Item 6				75901 Motor Kit			
23		1	Motor 12V DC, 3 x 3.8	24		2	#10-32 x 5/8 Hex Cap Screw Serrated Flange w/Patch
Item 7				75670 Auger Transmission Kit			
25		4	1/4-20 x 3/4 Hex Cap Screw Serrated Flange SS	26		1	Transmission 30:1 Worm Gear
				27	79332	1	Motor Drive Coupler
Item 8				75654 Hitch Kit			
28		1	Hitch	31		4	1/2-13 Serrated Flange Nut
29		4	1/2-13 x 1-1/2 Hex Cap Screw	32	75620	1	Hitch Pin
30		4	1/2 Split Lock Washer Zinc				
Item 9				75666 Lift Arm Pin Kit			
33		2	7/8 x 5-1/2 Lift Arm Pin	34		2	5/16 x 1-9/16 Linchpin
SS = Stainless Steel							

SPEED-CASTER™ 525 TAILGATE SPREADER

SPINNER ASSEMBLY & MATERIAL CHUTE

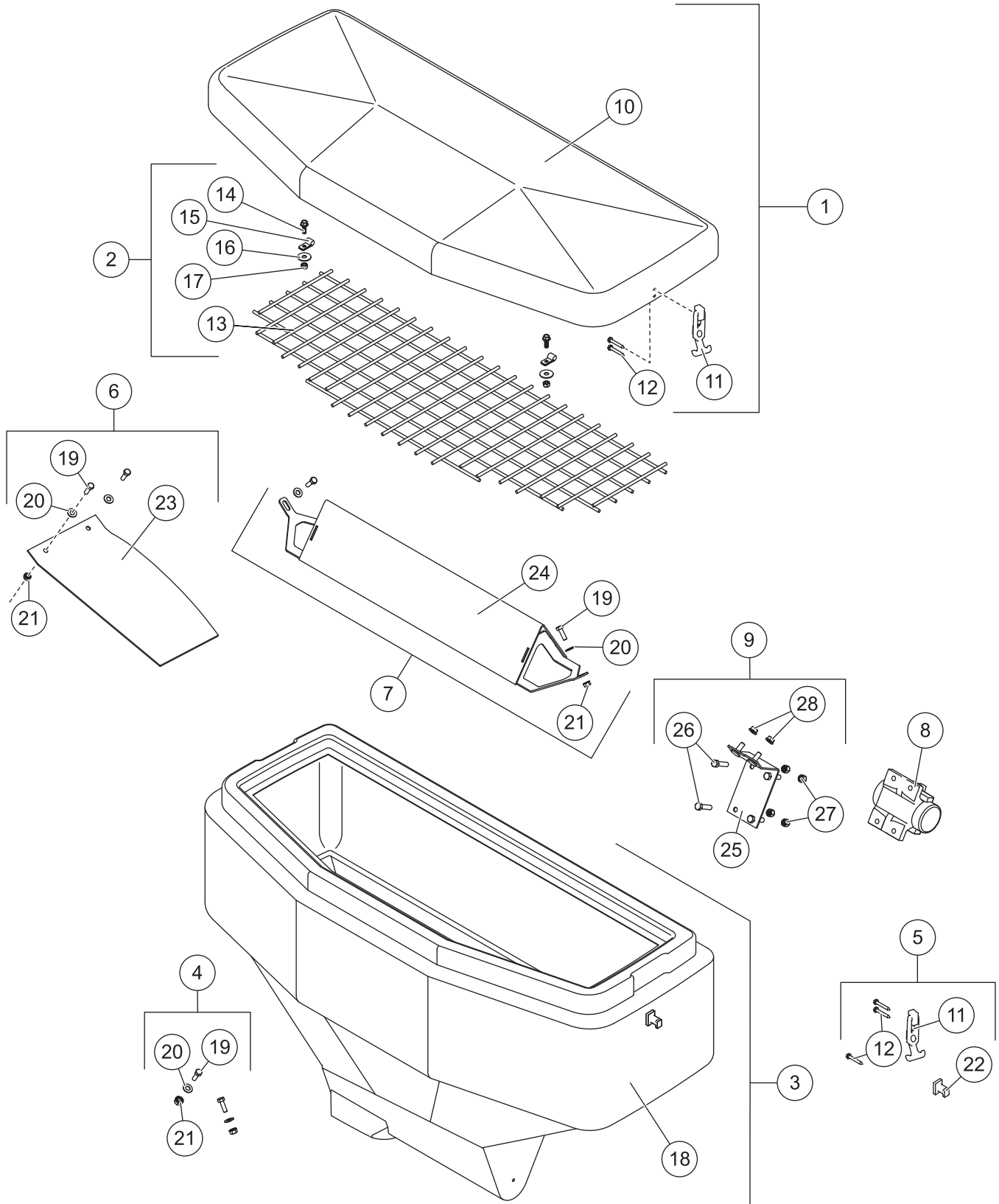


SPEED-CASTER™ 525 TAILGATE SPREADER

Spinner Assembly & Material Chute							
Item	Part	Qty	Description	Item	Part	Qty	Description
1	75901	1	Motor Kit	5	75662	1	Material Chute Kit
2	75640	1	Spinner Transmission Kit	6	75665	1	Deflector Kit
3	75663	1	CE Guard Kit	7	75672	1	Protector Foot Kit
4	75618	1	Spinner Kit				
Item 1				75901 Motor Kit			
8		1	Motor 12V DC, 3 x 3.8	9		2	#10-32 x 5/8 Hex Cap Screw Serrated Flange w/Patch
Item 2				75640 Spinner Transmission Kit			
10		1	Transmission 8:1 Worm Gear	12		4	1/4-20 x 3/4 Hex Cap Screw Serrated Flange SS
11	79332	1	Motor Drive Coupler				
Item 3				75663 CE Guard Kit			
13		1	CE Guard Spacer	14		1	CE Guard
Item 4				75618 Spinner Kit			
15		1	Spinner, 10" Poly	16		1	3/16 x 1-1/4 Detent Clevis Pin
Item 5				75662 Material Chute Kit			
17		1	Material Chute	20		1	1/2-13 Serrated Flange Nut
18		1	1/2-13 x 1-1/2 Hex Cap Screw	21		1	1/4 x 1-1/2 Driller w/R-M Washer
19		1	1/2 Flat Washer, Hardened	22		1	5/16 Flat Washer
Item 6				75665 Deflector Kit			
23		2	3/8-16 x 1 Hex Cap Screw Serrated Flange Type F	24		1	Deflector
Item 7				75672 Protector Foot Kit			
23		2	3/8-16 x 1 Hex Cap Screw Serrated Flange Type F	25		1	Spinner Protector Foot
SS = Stainless Steel							

SPEED-CASTER™ 900 TAILGATE SPREADER

HOPPER, VIBRATOR & INVERTED V



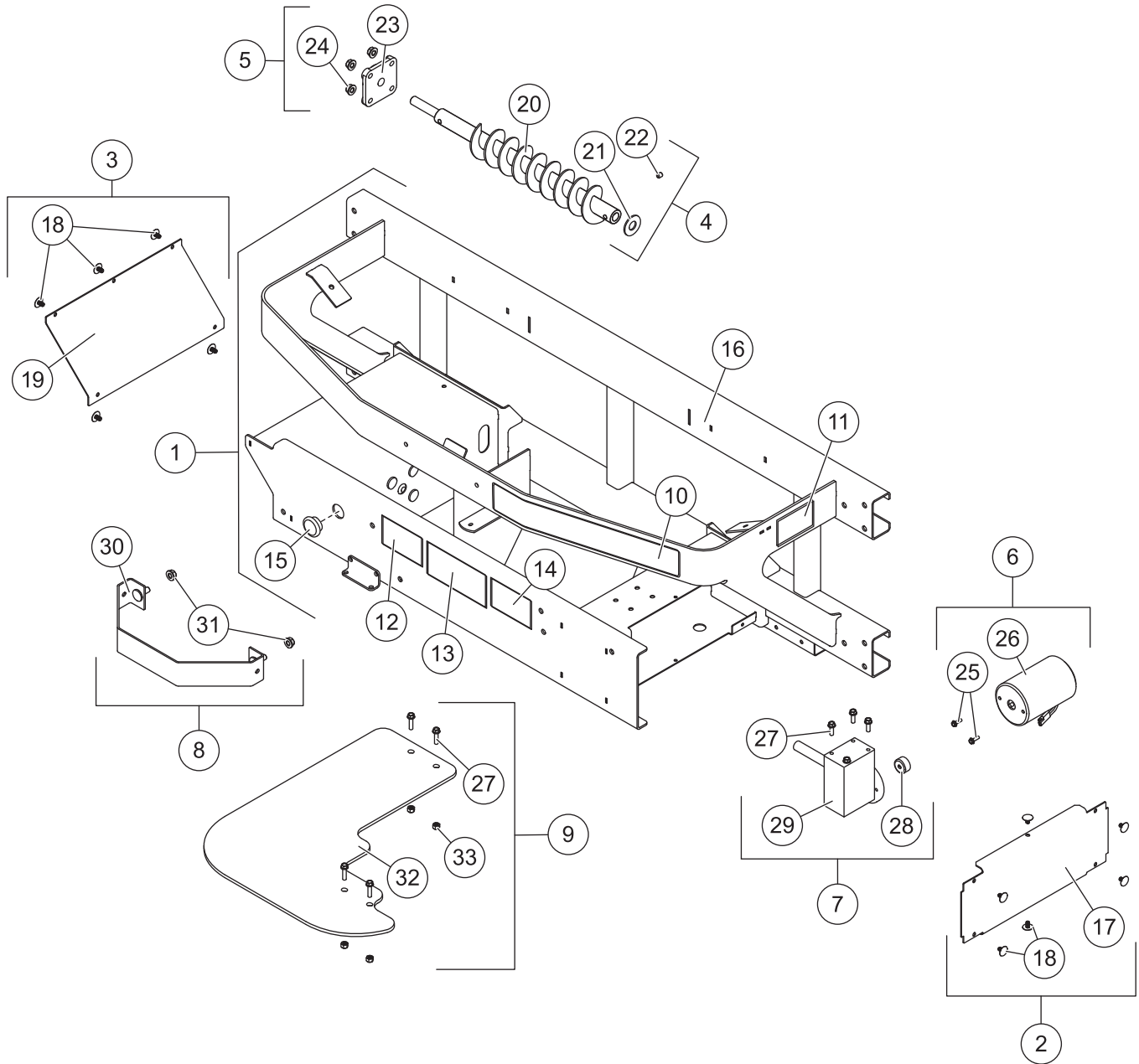
SPEED-CASTER™ 900 TAILGATE SPREADER

Hopper, Vibrator & Inverted V							
Item	Part	Qty	Description	Item	Part	Qty	Description
1	75677	1	Lid Kit	6	75681	1	Baffle Kit
2	75680	1	Top Screen Kit	7	75682	1	Inverted V Kit
3	75909	1	Hopper Kit SPEED-CASTER 900*	8	75673	1	Vibrator, DC-80
4	75614	1	Hopper Hardware Kit	9	75683	1	Vibrator Mount Bracket Kit
5	75612	1	Hopper Strap Kit				
Item 1				75677 Lid Kit			
10		1	Lid Assembly	12		4	#10 x 3/4 Hex Washer-Head Tapping Screw SS
11		2	Flexible Draw Latch				
Item 2				75680 Top Screen Kit			
13		1	Top Screen 40 x 44	15		2	5/16 Clamp
14		2	1/4-20 x 3/4 Hex Cap Screw Serrated Flange SS	16	D5952	2	1/4 x 1 Fender Washer SS
				17		2	1/4 Hex Locknut SS
Item 3				75909 Hopper Kit SPEED-CASTER 900*			
4	75614	1	Hopper Hardware Kit	18		1	Hopper 8.75 ft ³ – Yellow
Item 4				75614 Hopper Hardware Kit			
19		2	5/16-18 x 1-1/4 Hex Cap Screw SS	21		2	5/16-18 Hex Locknut SS
20		2	3/8 Flat Washer SS				
Item 5				75612 Hopper Strap Kit			
11		2	Flexible Draw Latch	22		2	Latch Keeper
12		6	#10 x 3/4 Hex Washer-Head Tapping Screw SS				
Item 6				75681 Baffle Kit			
19		2	5/16-18 x 1-1/4 Hex Cap Screw SS	21		2	5/16-18 Hex Locknut SS
20		2	3/8 Flat Washer SS	23		1	Material Baffle
Item 7				75682 Inverted V Kit			
19		2	5/16-18 x 1 Hex Cap Screw G5	21		2	5/16-18 Hex Locknut SS
20		2	3/8 Flat Washer SS	24		1	Inverted V
Item 9				75683 Vibrator Mount Bracket Kit			
25		1	Mounting Bracket, Inverted V	27		4	3/8-16 Hex Locknut
26		4	3/8-16 x 1-1/2 Hex Cap Screw	28		2	3/8-16 Hex Nut Serrated Flange
SS = Stainless Steel				G = Grade			

* Hopper ships with two latch keepers installed.

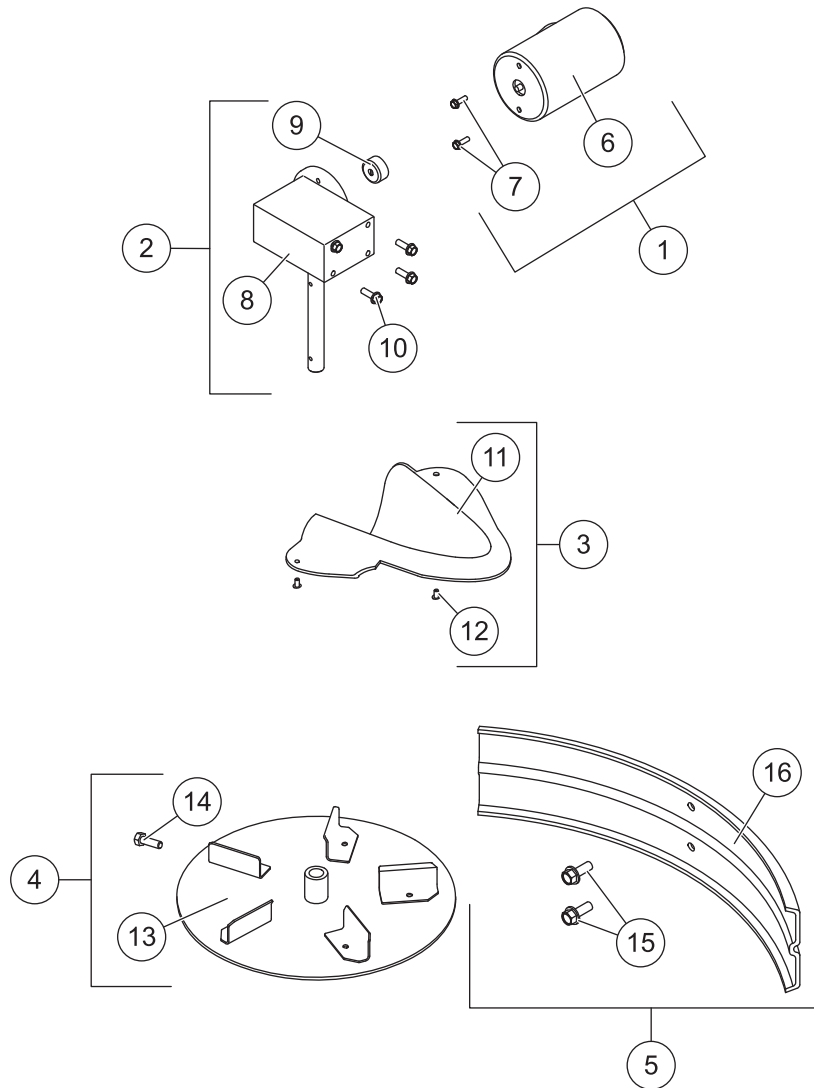
SPEED-CASTER™ 900 TAILGATE SPREADER

FRAME, AUGER & SPINNER GUARD



SPEED-CASTER™ 900 TAILGATE SPREADER

SPINNER, CHUTE & DEFLECTOR

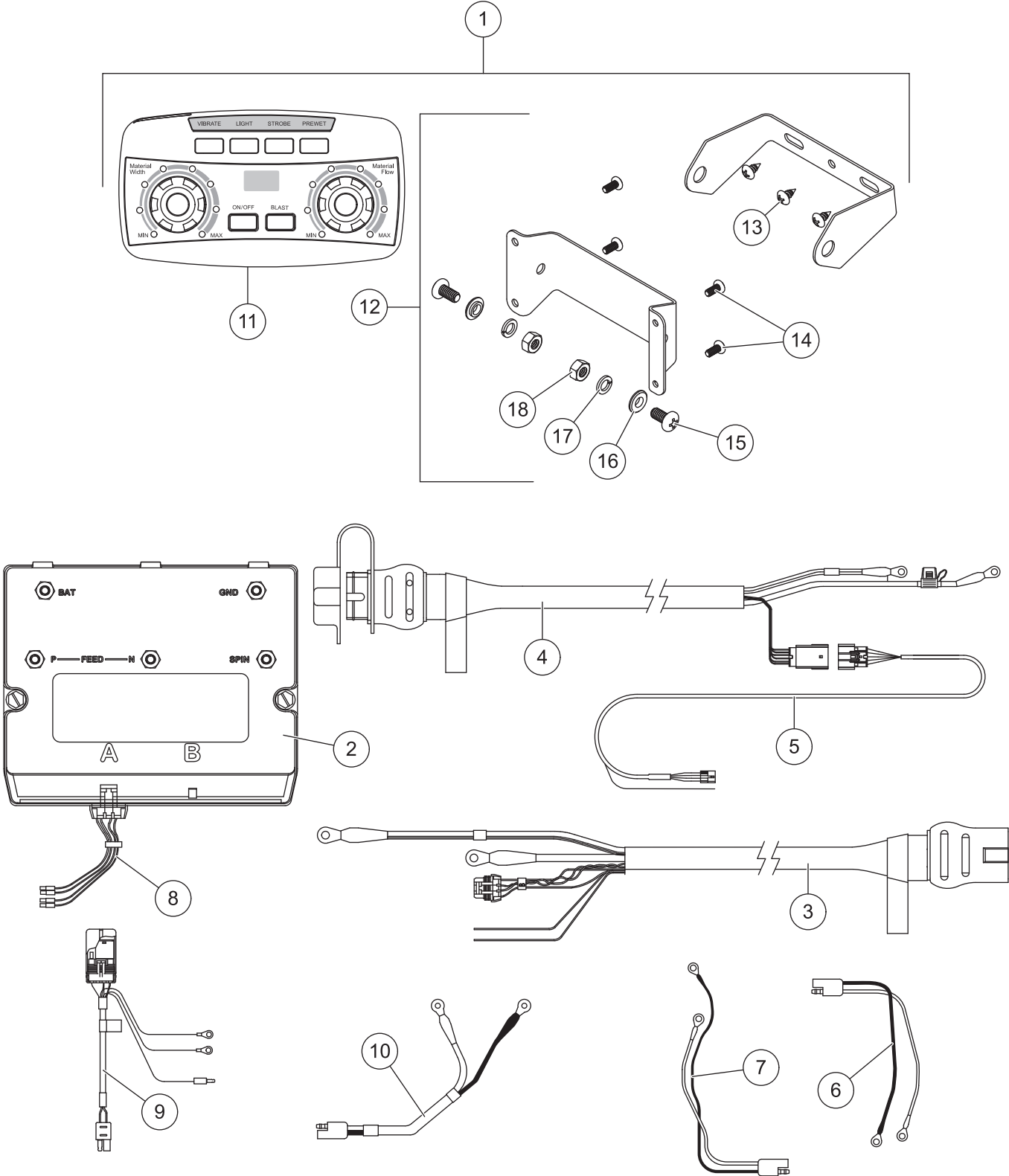


SPEED-CASTER™ 900 TAILGATE SPREADER

Spinner, Chute & Deflector							
Item	Part	Qty	Description	Item	Part	Qty	Description
1	75901	1	Motor Kit	4	75685	1	Spinner Kit
2	75686	1	Spinner Transmission Kit	5	75665	1	Deflector Kit
3	75691	1	Material Chute Kit				
Item 1				75901 Motor Kit			
6		1	Motor 12V DC, 3 x 3.8	7		2	#10-32 x 5/8 Cap Screw Serrated Flange SS
Item 2				75686 Spinner Transmission Kit			
8		1	Transmission 8:1 Worm Gear	10		4	1/4-20 x 3/4 Cap Screw Serrated Flange SS
9	79332	1	Motor Drive Coupler				
Item 3				75691 Material Chute Kit			
11		1	Material Chute	12		3	3/16 x 0.354 Rivet – Black Aluminum
Item 4				75685 Spinner Kit			
13		1	Spinner 12" Steel	14		1	5/16-18 x 1/2 Hex Cap Screw
Item 5				75665 Deflector Kit			
15		2	3/8-16 x 1 Hex Cap Screw Serrated Flange Type F	16		1	Deflector
SS = Stainless Steel							

SPEED-CASTER™ 525, SPEED-CASTER™ 900 TAILGATE SPREADER

ELECTRICAL COMPONENTS



SPEED-CASTER™ 525, SPEED-CASTER™ 900 TAILGATE SPREADER

Electrical Components							
Item	Part	Qty	Description	Item	Part	Qty	Description
1	52440	1	Spreader Control Kit	7	78399	1	Spinner Motor Harness Rev Pin-Out (900)
2	52375	1	Spreader Module, 5-Post	8	69893	1	10-Pin Connector w/4 Wires
3	72092	1	Spreader Harness, 7-Pin	9	78382	1	Vibrator Harness Assembly
4	72090	1	Vehicle Harness, 7-Pin	10	78397	1	Auger Motor Harness
5	69902	1	Vehicle Control Harness				
6	78398	1	Spinner Motor Harness (525)				
Item 1				52440 Spreader Control Kit			
11	52442	1	Spreader Control	15		2	1/4-20 x 1/2 Pan Head Machine Screw SS – Black
12	52345	1	Control Bracket Kit	16		2	1/4 Shoulder Washer SS – Black
13		3	#10 x 3/8 Pan Head Tapping Screw SS	17		2	1/4 Lock Washer SS
14		4	#8 x 3/8 Pan Head Machine Screw	18		2	1/4-20 Hex Nut G5 – Black
SS = Stainless Steel				G = Grade			

SPEED-CASTER™ 525, SPEED-CASTER™ 900 TAILGATE SPREADER



Fisher Engineering
50 Gordon Drive
Rockland, ME 04841-2139
www.fisherplows.com

A DIVISION OF FISHER, LLC

Copyright © 2019 Douglas Dynamics, LLC. All rights reserved. This material may not be reproduced or copied, in whole or in part, in any printed, mechanical, electronic, film, or other distribution and storage media, without the written consent of Fisher Engineering. Authorization to photocopy items for internal or personal use by Fisher Engineering outlets or spreader owner is granted.

Fisher Engineering reserves the right under its product improvement policy to change construction or design details and furnish equipment when so altered without reference to illustrations or specifications used. Fisher Engineering or the vehicle manufacturer may require or recommend optional equipment for spreaders. Do not exceed vehicle ratings with a spreader. Fisher Engineering offers a limited warranty for all spreaders and accessories. See separately printed page for this important information. The following are registered (®) or unregistered (™) trademarks of Douglas Dynamics, LLC: FISHER®, SPEED-CASTER™ 525, SPEED-CASTER™ 900.

Printed in U.S.A.