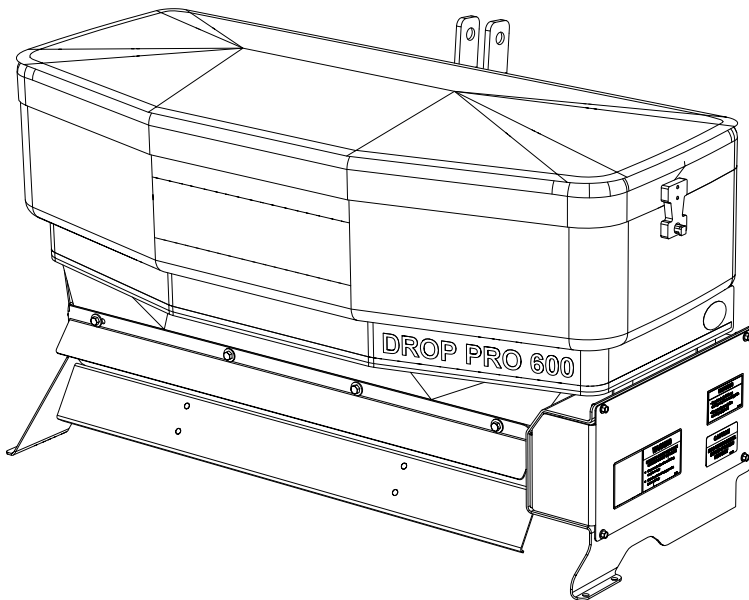


Installation Instructions

SNOWEX[®]

LEADERS IN ICE CONTROL



SD-600

Serial No. X2-100038 and higher

SD-1400

Serial No. X3-100019 and higher



CUSTOMER COPY

Madison Heights, Michigan 48071
800-SALTERS
www.snowexproducts.com

Table of Contents



Introduction	3
Safety	4
Wiring Instructions	5
Tractor	5
Utility Vehicle	6
Pick-Up Truck	7
Mounting Instructions	8
Notes	9-11

Have a question or need assistance?

SnowEx Customer Care

(800) SALTERS

or (248) 586-3500

Monday through Friday 8:00 AM to 4:30 PM EST

Fax: (248) 691-8378

E-mail: customercare@trynexusfactory.com

Website: www.snowexproducts.com

These Installation Instructions have been designed to guide you while installing your Drop Pro Spreader. Follow these instructions with care to ensure performance and longevity.

Please read and understand the safety warnings associated with the installation and assembly of the spreader before beginning. In addition the safety information in these instructions, observe general safety guidelines to maintain your safety and the safety of those around you. To install your Drop Pro you will need a set of wrenches, an assortment of drill bits and some wire cutters (to cut zip-ties).



THIS SIGN SHOULD ALERT YOU:

This Safety Alert Symbol is used to pinpoint characteristics that, if not carefully followed, can create a safety hazard. When you see this symbol in this manual or on the machine itself, be alert – your safety and the safety of others is involved.

Defined below are the Safety Alert Messages.



DANGER

Information that, if not carefully followed, can cause death.



WARNING

Information that, if not carefully followed, can cause serious personal injury or death.



CAUTION

Information that, if not carefully followed, can cause minor injury or damage to equipment.



IMPORTANT

This symbol is used to call out information that is important to follow carefully.

Before attempting any procedure in this book, the safety information in this manual must be read and understood by all personnel who have any part in the installation, preparation, transport, service, repair or use of this equipment.

For your protection, safety and information decals have been placed on the spreader to remind the operator of safety precautions and particular hazards.

 **DANGER**

Remember it is better to have extra assistance and precautions in order to avoid injury.

Do not lift spreader by yourself, seek competent assistance before lifting spreader onto vehicle.

Park vehicle on level ground before installing the spreader.

Follow all vehicle safety information.

Only use the spreader in perfect condition and according to applicable regulations. Be aware of your surroundings and alert to what you are doing to reduce hazards. You should always repair faults which could influence the safety of the machine.

Personnel operating the spreader must read the Owner's Manual before using – especially all safety information. This includes people who occasionally work on or operate the machine such as for service and transport. A clear understanding of how to operate the machine will reduce dangers involved with operating powered equipment.

 **WARNING**

Keep all safety and hazard information for the machine complete and in readable condition. If the machine is altered with regard to its safety or its operational behavior, stop operation immediately and report the malfunction to the responsible department or person.

Personal protection equipment (PPE) must be worn to prevent accidental injury.

Rotating parts cause flying debris, wear safety glasses with side protection.

Use genuine SnowEx parts for replacement. These meet the specific technical requirements.

Suitable and adequate mechanic's equipment is required for performing maintenance and service procedures.

 **CAUTION**

Keep all safety and hazard information for the machine complete and in readable condition. If the machine is altered with regard to its safety or changes its operational behavior, stop operation immediately and report the malfunction to the responsible department or person.

Use genuine SnowEx parts for replacement. These meet the specific technical requirements.

Adequate mechanic's equipment is required for performing maintenance and service procedures.

Tractor

STEP 1

Mount the Control Module (F51038) in a location under the hood that is out of the way of moving parts and high-temperature components.

STEP 2

Route the Battery Harness (F50601) from the Battery to the Control Module. Secure with zip-ties. Connect the Harness to the Battery.

STEP 3

Route the Vehicle Harness (F50625) from the hitch area to the Control Module. Do not route near high-temperature or moving components. Allow for the last 12-18 inches at the plug end to hang loose. Secure with zip-ties, working back toward the Control Module.

STEP 4

Route the Data Cable (F50578) to the seat from the Control Module. Secure with zip-ties as needed. Leave approximately three feet spare at the end so the operator can hold the Control Pendant in his hand.

STEP 5

Plug the Data Cable into the Control Pendant (F50574).

NOTE

Do not expose the Control Pendant to extreme conditions for an extended period of time. Store the Control Pendant indoors.

To maintain the usefulness of the tractor in the off-season, and to prevent damage to the Vehicle Harness, Data Cable and Control Pendant; remove the Vehicle Harness, Data Cable and Control Pendant in the off-season.

Utility Vehicle

These instructions are only applicable if you are using the SD-600 with the TPR-020 Receiver Adapter or the UBM-175 Utility Bed Mount.

STEP 1

Mount the Control Module (F51038) near the battery. Keep it away from moving parts and high-temperature components.

STEP 2

Route the Battery Harness (F50601) from the Battery to the Control Module. Secure with zip-ties. Connect to the Battery.

STEP 3

Route the Vehicle Harness (F50625) from the Control Module to the rear bumper. Follow other wires and the frame. Keep the harness away from moving components and high-temperature components.

STEP 4

Mount the harness plug to the rear of the vehicle. Mount it where the tailgate and dump-body will not hit or crush it. (You can make your own bracket to mount the plug.) Mount plug angled downward so water will not collect in the plug. Mark the spacing of the holes for the plug using the plug as a guide. Drill these two holes at 1/4". Mount the plug to the bumper with the included #10 bolts and nuts. Make sure the Plug Cover's leash is attached to one of the bolts. Apply Dielectric Grease to the plug.

STEP 5

Secure the Vehicle Harness with zip-ties; working from the rear of the vehicle toward the Control Module.

STEP 6

Connect the Vehicle Harness to the Control Module.

STEP 7

Route the Data Cable (F50578) from the Control Module to the driver's seat. You can drill a hole in the "firewall" and feed the Data Cable through; or route it underneath the cab and up between the seats. Connect the Data Cable to the Control module. Secure with zip-ties, leaving three feet spare at the driver's seat so the operator can hold the Control Pendant.

STEP 8

Connect the Control Pendant (F50574) to the Data Cable.

NOTE

Remove the Control Pendant after each use if storing the vehicle outdoors (without an enclosed cab) and store indoors in a cool, dry place.

Pick-Up Truck

These instructions are only applicable if you are using the SD-600 with the TPR-020 Receiver Adapter.

STEP 1

Mount the Control Module(F51038) to the inner fender or the firewall. Make sure the area behind is clear for the hardware to protrude through.

STEP 2

Route the Battery Harness (F50601) from the Battery to the Control Module. Secure with zip-ties. Connect to the Battery. Keep the harness away from high temperature components and moving parts.

If installing on a vehicle with two batteries, connect to the primary battery.

STEP 3

Route the Vehicle Harness from the Control Module to the rear bumper. Follow some other wires along the frame.

STEP 4

Mount the harness plug to the bumper of the vehicle. You can make your own bracket to mount in a location you prefer. Mount plug angled downward slightly so water will not collect in the plug. Mark the spacing of the holes for the plug using the plug as a guide. Drill these two holes at 1/4". Mount the plug to the bumper with the included #10 bolts and nuts. Make sure the Plug Cover's leash is attached to one of the bolts. Apply Dielectric Grease to the plug.

STEP 5

Secure the Harness with zip-ties. Coil excess wire above the gas tank. Connect the Vehicle Harness to the Control Module. Do not tie to moving or high temperature components.

STEP 6

Find a location where you can drill a 3/4" hole through the firewall. Drill the hole. Route the Data Cable (F50578) from the Control Module into the cab through this hole. Secure with zip-ties, leaving spare cable inside the cab so the operator can hold the Control Pendant. Keep the data cable away from moving components and high temperatures.

STEP 7

Connect the Control Pendant (F50574) to the Data Cable.

NOTE

Store Control Pendant in a cool, dry place: high vehicle-interior-temperatures in the summer could damage the Control Pendant.

ATTACHING TO UTILITY VEHICLE OR PICK-UP TRUCK

If you are using a TPR-020 insert the hitch into your receiver. Lock with Hitch Pin and Hair Pin. Plug Spreader Harness into Vehicle Plug and you are ready to begin spreading.

If you are using the UBM-175 mount, follow the UBM-175 Installation Instructions, Connect the Spreader Harness to the Vehicle Harness and you are ready to begin spreading.

ATTACHING TO TRACTOR

To attach to your tractor's three-point hitch, simply back up to the spreader frame. Lower the hitch and attach to the spreader.

Plug in and begin spreading.

