



**7'6", 8'6", and 9'6"
MVP 3™ Snowplows**

Mild Steel Blades 74475, 74485, 74495

Poly Blades 74585, 74595

Stainless Steel Blades 74675, 74685, 74695

Center Assembly 74300, 74400

Center Assembly, Central Hydraulics 74310

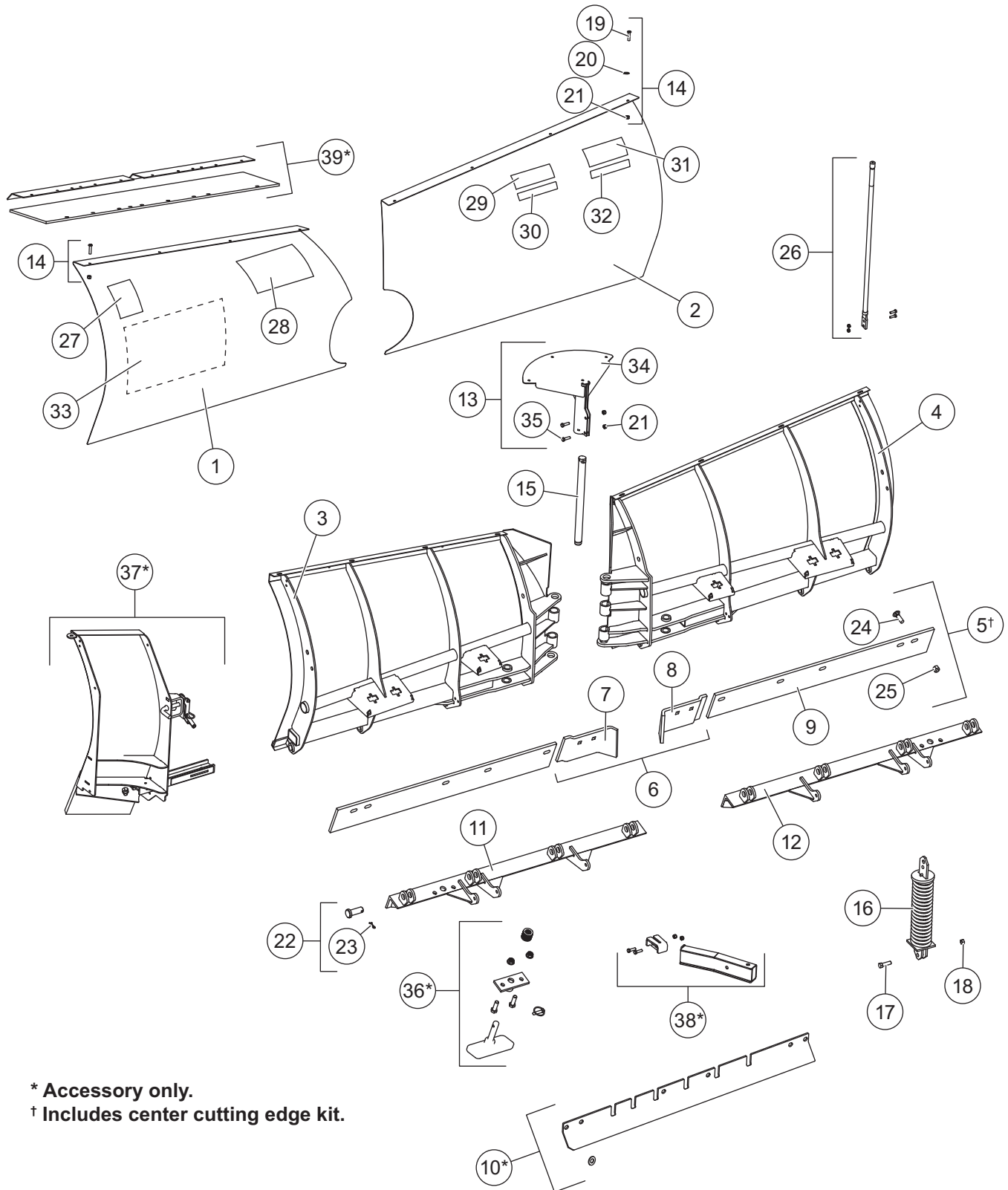
Parts List



TABLE OF CONTENTS

| | |
|--|----|
| MVP 3™ BLADE COMPONENTS | 4 |
| MVP 3 CENTER ASSEMBLY | 6 |
| Lift Frame and T-Frame Components..... | 6 |
| Hydraulic Unit Components | 8 |
| Hydraulic Unit Cover Assembly | 10 |
| Lift and Angle Ram Components..... | 11 |
| Hoses and Fittings | 11 |
| Electrical Components..... | 12 |
| Vehicle-Side Wiring Diagram – 3-Port, 2-Plug System..... | 13 |
| Vehicle-Side Wiring Diagram – Central Hydraulics | 14 |
| Headlamp Kit | 15 |

Blade Components – 9'6" Shown



* Accessory only.

† Includes center cutting edge kit.

MVP 3™ BLADES 74475/74485/74495/74585/74595/74675/74685/74695

| 74475/74485/74495/74585/74595/74675/74685/74695 MVP 3 Blade | | | | | | | | | |
|---|--|-------------|-------|----------|----------------------|-------|----------|-------|-------|
| Item Description | | Part Number | | | | | | | |
| | | 7'6" | | 8'6" | | | 9'6" | | |
| | | MS | SS | MS | SS | Poly | MS | SS | Poly |
| 1 | Moldboard Kit w/Fasteners & Labels – DS | 43137 | 74402 | 43138 | 74403 | 43141 | 43139 | 74404 | 43142 |
| 2 | Moldboard Kit w/Fasteners & Labels – PS | 43158 | 74405 | 43159 | 74406 | 43162 | 43160 | 74407 | 43163 |
| 3 | Frame, Base Angle & Spring Assembly – DS | 43143 | | 43144 | | | 43145 | | |
| 4 | Frame, Base Angle & Spring Assembly – PS | 43146 | | 43147 | | | 43148 | | |
| 5† | Cutting Edge Kit (3/8") | 44561-2 | | 44564-2 | | | – | | |
| | Cutting Edge Kit (1/2") | 44284-2* | | 44285-2* | | | 44567-2 | | |
| | Cutting Edge Kit (5/8") | – | | 85358* | | | 85359* | | |
| 6 | Center Cutting Edge Kit | 44894-1 | | | | | | | |
| | Center Cutting Edge Kit (5/8") | 85357* | | | | | | | |
| 7 | Center Cutting Edge – DS | 44891-1 | | | | | | | |
| | Center Cutting Edge (5/8") – DS | 85351* | | | | | | | |
| 8 | Center Cutting Edge – PS | 44890-1 | | | | | | | |
| | Center Cutting Edge (5/8") – PS | 85352* | | | | | | | |
| 9 | Cutting Edge (3/8") – one side | 44896-1 | | 44897 | | | – | | |
| | Cutting Edge (1/2") – one side | 44996-1* | | 44997* | | | 44898 | | |
| | Cutting Edge (5/8") – one side | – | | 85355* | | | 85356* | | |
| 10* | Back Drag Edge Kit | 44281-3* | | 44282-3* | | | 44283-4* | | |
| 11 | Base Angle – DS | 43126 | | 43128 | | | 43130 | | |
| 12 | Base Angle – PS | 43127 | | 43129 | | | 43131 | | |
| 13 | Center Snow Control Kit | 43118 | | | | | | | |
| 14 | Moldboard Fasteners Kit | 43890 | | | | | | | |
| MS = Mild Steel | | | | | SS = Stainless Steel | | | | |

* Accessory only.

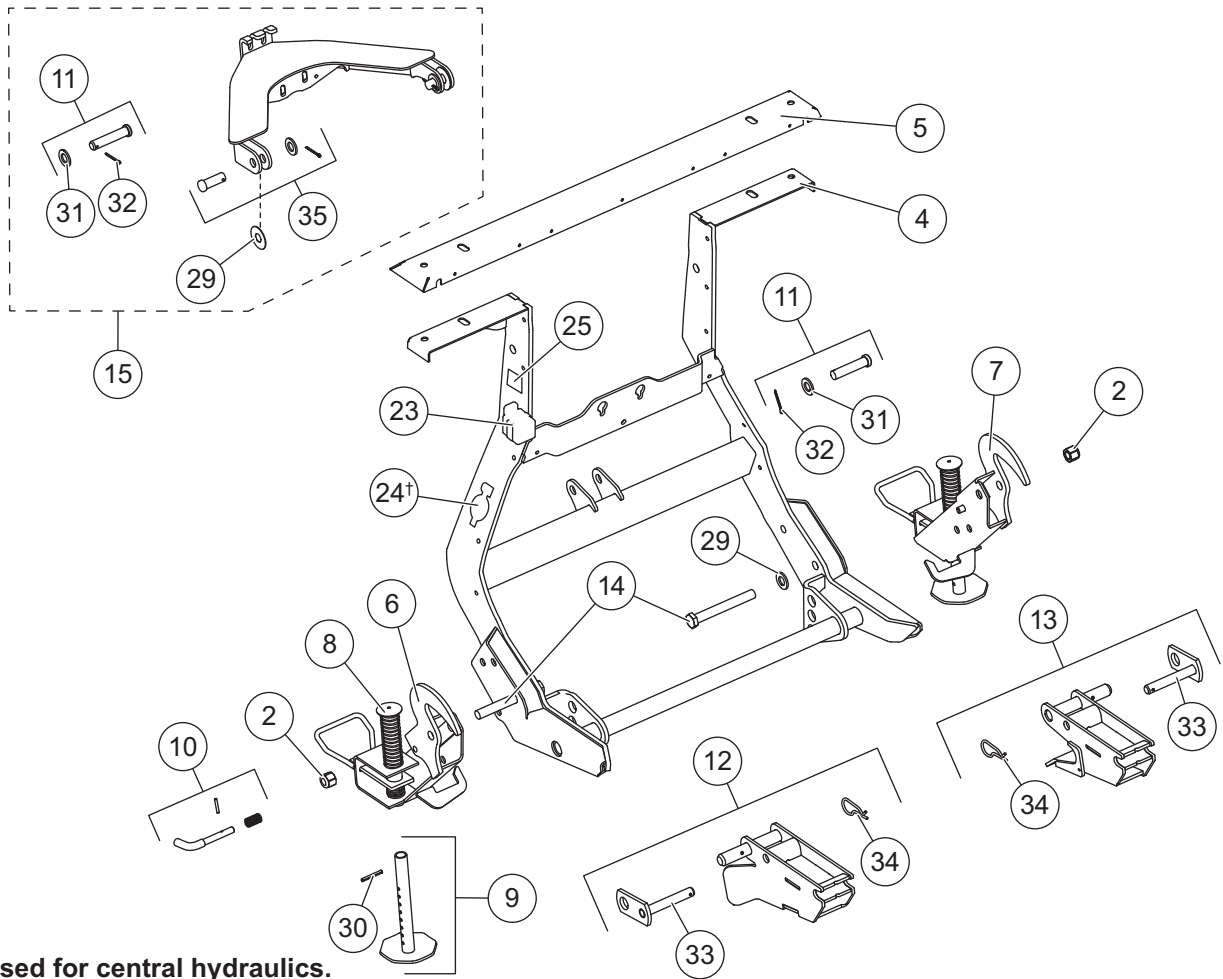
† Includes center cutting edge kit.

| Blade Pins, Fasteners, Labels & Springs | | | | | |
|--|---------|---|------|----------------|--|
| Item | Part | Description | Item | Part | Description |
| 15 | 49844 | Main Pivot Pin | 28 | 43360 | Label – Attach/Detach, UltraMount® 2 |
| 16 | 21452 | Removable Spring Assembly | 29 | 41696 | Label – Logo, MVP 3 |
| 17 | 91000 | 7/16-14 x 1/2 x 1-5/8 Shoulder Bolt | 30 | | Label – Blade Size & Serial Number |
| 19 | | 3/8-16 x 1 Button Cap Screw | 31 | 44451 | Label – Logo, WESTERN® 8.31" |
| 20 | | 3/8 Hardened Washer | 32 | 28404 | Label – Logo, ULTRAFINISH™ (MS moldboard) |
| 21 | | 3/8-16 Hex Locknut GB | 33 | 40986 | Label – Logo, CONTRACTOR GRADE®, Red (MS & poly moldboards) |
| 22 | 43745 | 1 x 2-3/4 Clevis Pin w/Cotter | | 43899 | Label – Logo, CONTRACTOR GRADE, Clear (SS moldboard) |
| 23 | | 1/4 x 1-1/2 Cotter Pin | ns | 44763 | Bolt Bag – Cutting Edge Kits (1 side, 5 sets of fasteners) |
| 24 | | 5/8-11 x 2 Carriage Bolt G5 | | | |
| 25 | | 5/8-11 Hex Locknut GB | | | |
| 26 | 62595 | Poly Blade Guide Kit | | | |
| 27 | 59900 | Label – Warning/Caution, Snowplows | | | |
| Item 13 43118 Center Snow Control Kit | | | | | |
| 21 | | 3/8-16 Hex Locknut GB | 35 | | 3/8-16 x 1-1/4 Hex Cap Screw G5 |
| 34 | | Center Deflector | | | |
| Blade Accessories | | | | | |
| 36* | 43088 | Shoe Kit (set of 2) | 39* | 41810 | Deflector Kit (universal) – 10" |
| 37* | 43510-1 | Blade Wing Extension Kit (8'6" & 9'6" blades only) | ns | 41811* | Deflector Kit (universal) – 18" |
| | | | ns | 43087* | Label Kit – Complete Blade, MS & Poly |
| 38* | 43082-1 | Blade Stop Kit | ns | 74414* | Label Kit – Complete Blade, SS |
| ns | 43620* | Bolt Bag – Rubber Deflector | | | |
| MS = Mild Steel | | SS = Stainless Steel | | G = Grade | |
| | | | | ns = not shown | |

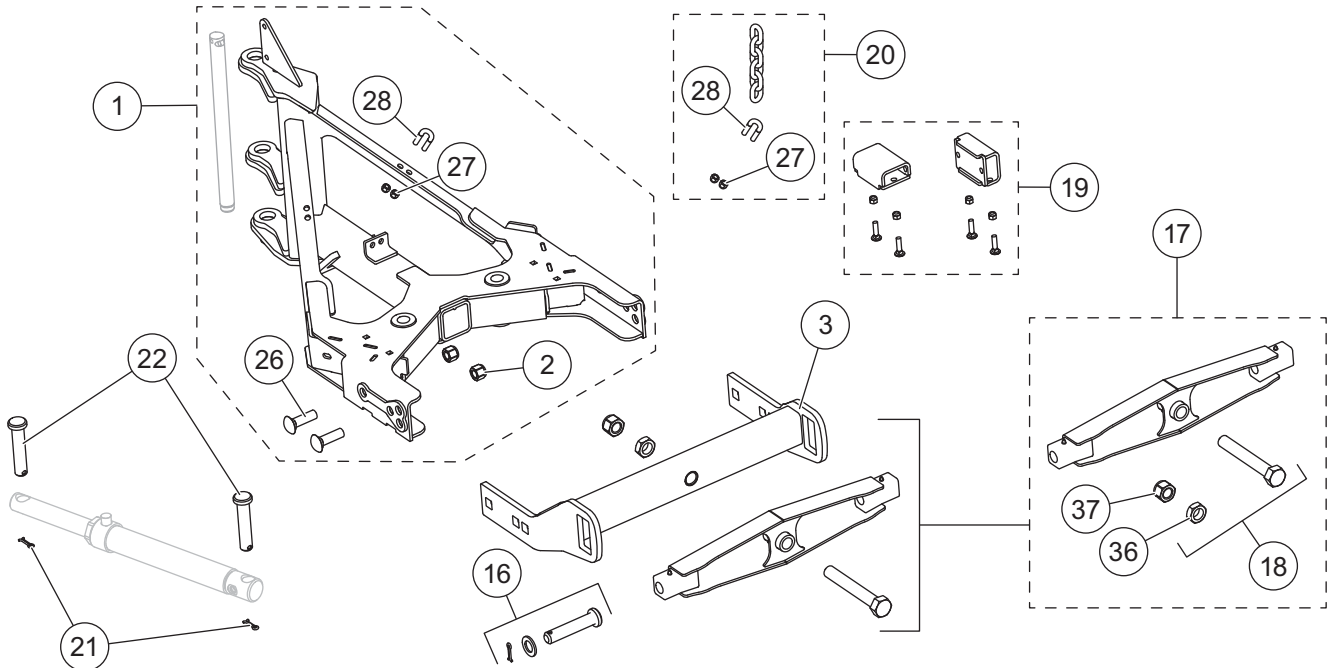
* Accessory only.

MVP 3™ CENTER ASSEMBLY 74300/74310(CH)/74400

Lift Frame and T-Frame Components



† Not used for central hydraulics.



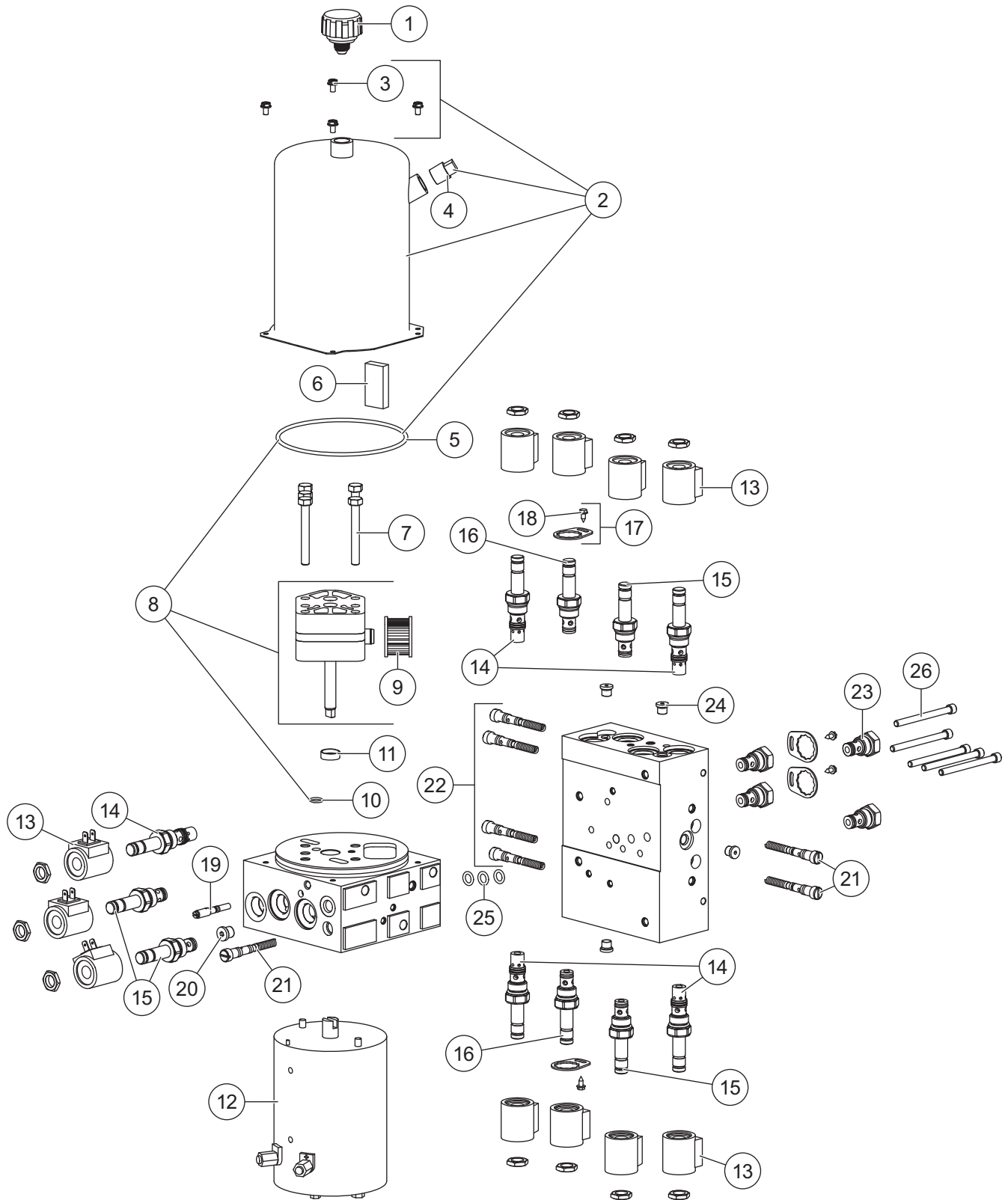
MVP 3™ CENTER ASSEMBLY 74300/74310(CH)/74400

| MVP 3 Lift Frame and T-Frame Components | | | | | | | |
|---|-------------|------------|--------------------------------------|-------------|-------------|------------|---------------------------------|
| Item | Part | Qty | Description | Item | Part | Qty | Description |
| 1 | 43116 | 1 | T-Frame Service Kit | 13 | 76718 | 1 | Receiver Kit – PS |
| 2 | 91338 | 2 | 3/4-10 Hex Locknut GB | 14 | 66451 | 2 | 3/4-10 x 6 Hex Cap Screw G5 |
| 3 | 44557-2 | 1 | Pushbeam | 15 | 43304 | 1 | Lift Arm Kit |
| 4 | 78780 | 1 | Lift Frame Service Kit | 16 | 49645 | 2 | 1 x 4-3/4 Clevis Pin Kit |
| 5 | 43302 | 1 | Light Channel, Red | 17 | 67842-1 | 1 | Pivot Bar Kit |
| | 74401 | 1 | Light Channel, Silver | 18 | 67855 | 1 | Pivot Bolt Kit |
| 6 | 72618 | 1 | Stand Assembly – DS (incl. item 8) | 19 | 43153 | 1 | Stacking Stop Kit |
| 7 | 72617 | 1 | Stand Assembly – PS (incl. item 8) | 20 | 49033 | 2 | 1/4 Grade 43 Chain Assembly |
| 8 | 48523 | 1 | Plunger w/Spring | 21 | 90601 | 4 | 1/4 x 1-1/2 Cotter Pin |
| 9 | 67847 | 2 | Stand Shoe Kit | 22 | 22260 | 4 | 1 x 4-3/4 Clevis Pin |
| 10 | 67844 | 2 | Stand Lock Pin Kit | 23 | 61246 | 1 | Cable Boot |
| 11 | 68740 | 1 | 3/4 x 3-1/2 Clevis Pin Kit | 24† | 69689 | 1 | Label – Logo, SECURITY GUARD™ |
| 12 | 76722 | 1 | Receiver Kit – DS | 25 | 43358 | 2 | Label – Logo, UltraMount® 2 |
| Item 1 43116 T-Frame Service Kit | | | | | | | |
| | | 1 | T-Frame | 26 | 69820 | 4 | 3/4-10 x 2-1/8 Carriage Bolt |
| | 49844 | 1 | Pivot Pin (shown w/blade components) | 27 | 91333 | 4 | 3/8-16 Hex Locknut GB |
| 2 | 91338 | 4 | 3/4-10 Hex Locknut GB | 28 | 90453 | 2 | 3/8-16 x 1-1/2 U-Bolt G5 |
| Item 4 78780 Lift Frame Service Kit | | | | | | | |
| | | 1 | Lift Frame | 25 | 43358 | 2 | Label – Logo, UltraMount 2 |
| 24† | 69689 | 1 | Label – Logo, SECURITY GUARD | 29 | | 2 | UHMW Round Flat Washer, Special |
| Item 9 67847 Stand Shoe Kit | | | | | | | |
| | | 1 | Stand Shoe | 30 | 67635 | 1 | 1/4 x 2 Roll Pin BP |
| Item 11 68740 3/4 x 3-1/2 Clevis Pin Kit | | | | | | | |
| | | 1 | Pin | 32 | 91911K | 1 | 5/32 x 1-1/2 Cotter Pin |
| 31 | 91147 | 1 | 3/4 Flat Washer | | | | |
| Item 12 76722 Receiver Kit – DS | | | | | | | |
| | | 1 | Receiver – DS | 34 | 91965K-1 | 1 | 5/32 Hairpin Cotter |
| 33 | 42498 | 1 | Receiver Pin | | | | |
| Item 13 76718 Receiver Kit – PS | | | | | | | |
| | | 1 | Receiver – PS | 34 | 91965K-1 | 1 | 5/32 Hairpin Cotter |
| 33 | 42498 | 1 | Receiver Pin | | | | |
| Item 15 43304 Lift Arm Kit | | | | | | | |
| | | 1 | Lift Arm | 29 | | 2 | UHMW Round Flat Washer, Special |
| 11 | 68740 | 1 | 3/4 x 3-1/2 Clevis Pin Kit | 35 | 43351 | 2 | 3/4 x 2 Clevis Pin Kit |
| Item 17 67842-1 Pivot Bar Kit | | | | | | | |
| | | 1 | Pivot Bar | 18 | 67855 | 1 | Pivot Bolt Kit |
| Item 18 67855 Pivot Bolt Kit | | | | | | | |
| | | 1 | 1-8 x 7 Hex Cap Screw G5 | 37 | | 1 | 1-8 Hex Locknut GB |
| 36 | | 1 | 1-8 Hex Jam Nut G5 | | | | |
| Item 20 49033 1/4 Grade 43 Chain Assembly (2 per snowplow) | | | | | | | |
| | | 1 | 1/4 x 42 Grade 43 Chain | 28 | 90453 | 1 | 3/8-16 x 1-1/2 U-Bolt G5 |
| 27 | 91333 | 2 | 3/8-16 Hex Locknut GB | ns | | 1 | Plastic Tube |
| ns = not shown | | | | G = Grade | | | |

† Not used for central hydraulics.

MVP 3™ CENTER ASSEMBLY 74300/74400

Hydraulic Unit Components



MVP 3™ CENTER ASSEMBLY 74300/74400

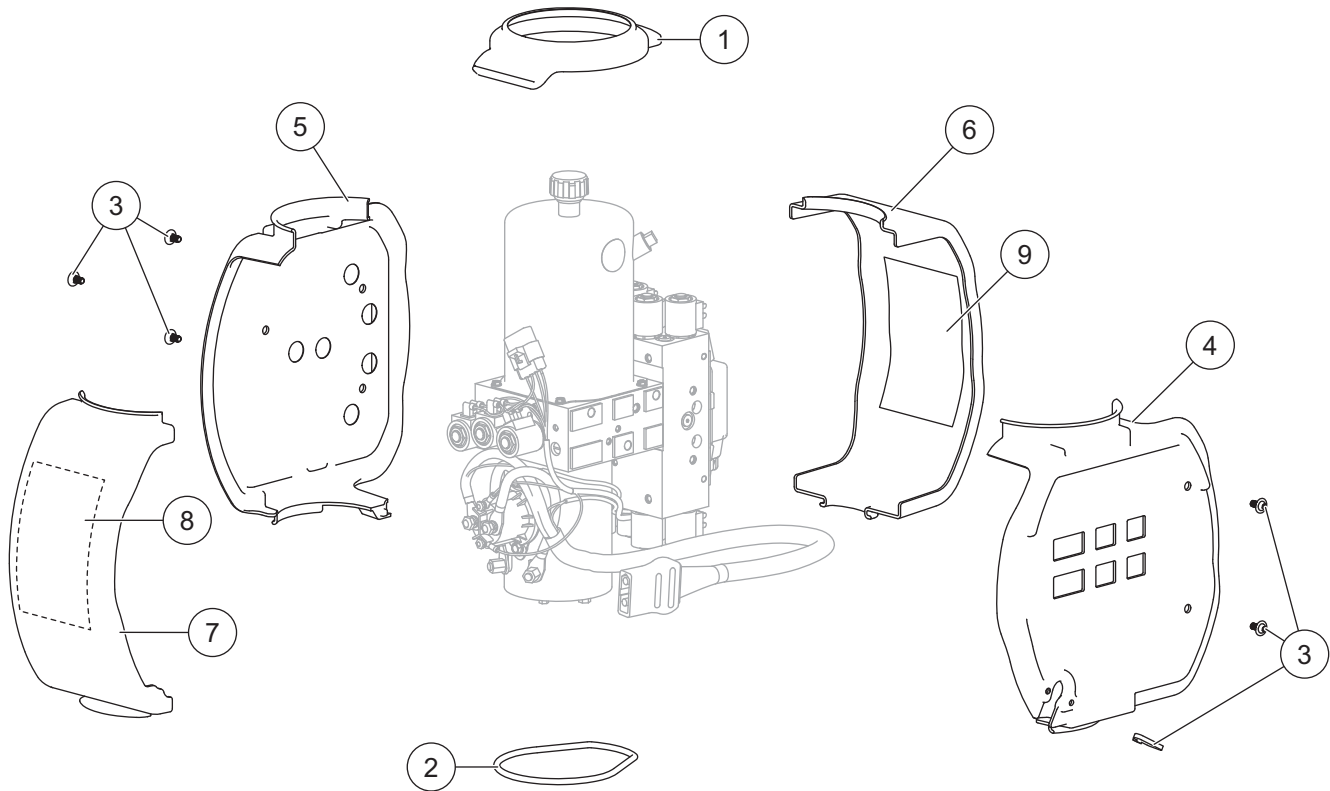
| 44320* Hydraulic Unit 48257* Hydraulic Unit Service Kit (not used for central hydraulics) | | | | | | | |
|---|-----------|-----|---|------|-----------|-------|--|
| Item | Part | Qty | Description | Item | Part | Qty | Description |
| 1 | 21727-2K | 1 | Breather Pressure Control | 17 | 44369 | 4 | Valve Lock Ring w/Screw |
| 2 | 44327-3 | 1 | Reservoir Kit | 18 | 63943 | 4 | #8-18 x 3/8 Tapping Screw |
| 3 | 66607 | 4 | #10-24 x 5/16 Machine Screw | 19 | 48517 | 1 | Quill Assembly, 1/2-20 Thread |
| 4 | 92079 | 1 | Plug, Square 3/8 NPTF | 20 | 44344 | 1 | Plug, Hex Socket –4 M ORB |
| 5 | 66519 | 1 | O-Ring 2-250 | 21 | 49138K-5 | 1-1/2 | Relief Valve Kit (2 sets) |
| 6 | 73897 | 1 | Magnet | 22 | 44338 | 2 | Relief Valve Kit (2 sets) |
| 7 | 90080 | 5 | 5/16-18 x 2-1/2 Hex Cap Screw G5 | 23 | 44334-1 | 4 | Check Valve CV08-20 |
| 8 | 44328-2 | 1 | Pump Kit | 24 | 92960 | 4 | Plug, Hex Socket –3 M ORB |
| 9 | 56789-5 | 1 | Suction Filter | 25 | 29077 | 3 | O-Ring -110 |
| 10 | 56274 | 1 | O-Ring -013 | 26 | 29081 | 5 | 1/4-20 x 3 Socket Cap Screw |
| 11 | 66515 | 1 | Pump Shaft Seal | ns | 29099 | 2 | 1/4-20 x 1/4 Hex Washer-Head Thread-Rolling Screw |
| 12 | 21500-1 | 1 | Motor Assembly, 4-1/2" | ns | 44326 | 1 | 1/4-20 x 1/2 6-Lobe Round Washer-Head Screw (pkg of 5) |
| 13 | 49230K-2 | 11 | Coil w/Spade Terminals | ns | 44355 | 2 | 1/4-20 x 5/8 Hex Washer-Head Thread-Rolling Screw |
| 14 | 44332 | 5 | Valve SVCV08-20 w/Nut | | | | |
| 15 | 49227K-2 | 4 | Valve SV08-2004 w/Nut | | | | |
| 16 | 44336 | 2 | Valve SF08-2015 w/Nut | | | | |
| O-Ring Service Kits | | | | | | | |
| – | 56657-6** | – | Back-Up/O-Ring Kit | – | 49259-2 | – | Seal Kit – Valves SV08-30, -31, -33, -40, -43, and SVCV08-20 |
| – | 49258-2 | – | Seal Kit – Valves SV08-2004, CV08-20, SF08-2015 | | | | |
| ns = not shown | | | M = Male | | G = Grade | | |

* Includes 44320 hydraulic unit, 44325 cover assembly (p. 10), and plow-side electrical components (p. 12).

** Does not contain O-rings for cartridge valves.

MVP 3™ CENTER ASSEMBLY 74300/74400

Hydraulic Unit Cover Assembly

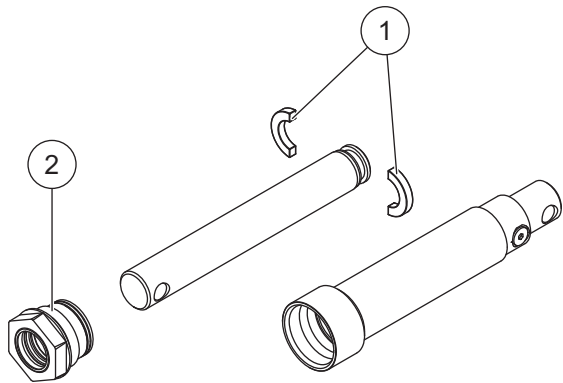


| 48175 Cover Assembly | | | | | | | |
|----------------------|-------|-----|---|------|-------|-----|-------------------------------|
| Item | Part | Qty | Description | Item | Part | Qty | Description |
| 1 | 44352 | 1 | Top Retainer Ring | 6 | 44303 | 1 | Cover, Side 3 |
| 2 | 44366 | 1 | Bottom Retainer Ring | 7 | 44304 | 1 | Cover, Side 4 |
| 3 | 44326 | 1 | 1/4-20 x 1/2 6-Lobe Round Washer-Head Screw (pkg of 5) w/8" Cable Tie | 8 | 44310 | 1 | Label – Information (S1–S3) |
| 4 | | 1 | Cover, Side 1 | 9 | 44319 | 1 | Label – Information (S4–S11) |
| 5 | | 1 | Cover, Side 2 | ns | 61536 | 1 | Cable Tie, 14" |
| | | | | ns | 43223 | 1 | Label – Logo, MVP 3 Hydraulic |

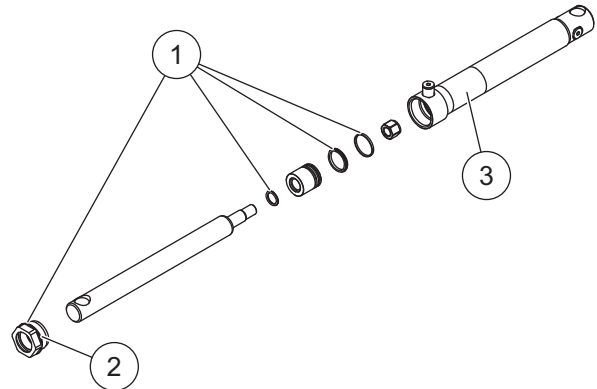
ns = not shown

MVP 3™ CENTER ASSEMBLY 74300/74310(CH)/74400

Lift and Angle Ram Components

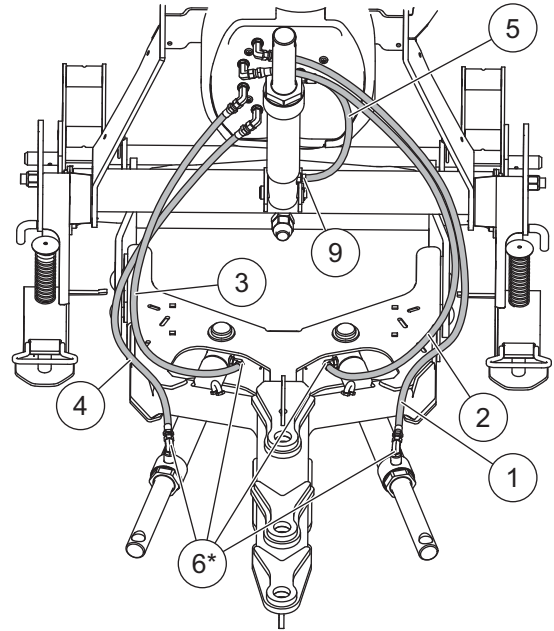
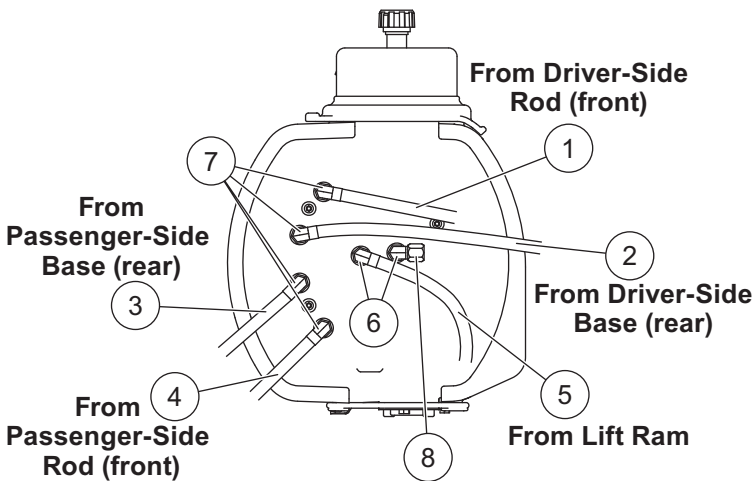


| 43149 Lift Ram Assembly 1-3/4 x 8 | | | |
|-----------------------------------|-------|-----|--------------------|
| Item | Part | Qty | Description |
| 1 | 43134 | 1 | Split Bearing |
| 2 | 43135 | 1 | Gland Nut Assembly |



| 44341 Angle Ram Assembly 1-3/4 x 11 DA | | | |
|--|-------|-----|--|
| Item | Part | Qty | Description |
| 1 | 44342 | 1 | Seal Kit 1-3/4 DA Ram |
| 2 | 48985 | 1 | Gland Nut Assembly |
| 3 | 68675 | 1 | Label – Identity, UltraLock Double-Acting Cylinder |

Hoses and Fittings



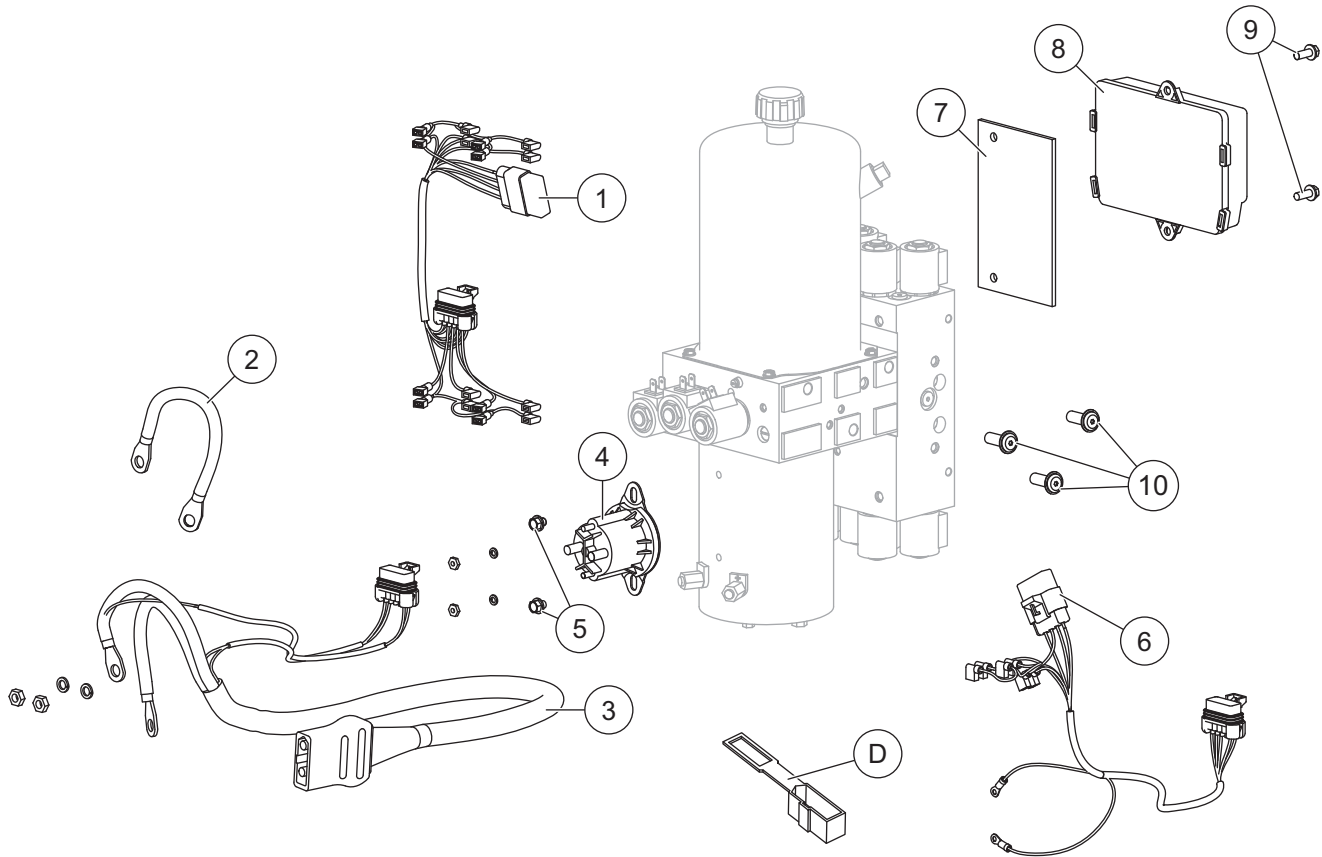
| Hoses and Fittings | | | | | | | |
|--------------------|---------|-----|------------------------------|------|---------|-----|--|
| Item | Part | Qty | Description | Item | Part | Qty | Description |
| 1 | 56616-1 | 1 | Hose, 1/4 x 42 w/F JIC Ends | 7 | 64212-1 | 4 | Elbow, Extra Long 90° –6 M JIC/ –6 M ORB |
| 2 | 44350 | 1 | Hose, 3/8 x 45 w/F JIC Ends | 8 | 44346 | 1 | Drain Cap, –6 F JIC |
| 3 | 44351 | 1 | Hose, 3/8 x 38 w/F JIC Ends | 9 | 43750 | 1 | Connector, Short –6 M JIC/–6 M ORB |
| 4 | 56599 | 1 | Hose, 1/4 x 36 w/F JIC Ends | ns | 56823 | 2 | Hose Wrap, Polyethylene |
| 5 | 41094 | 1 | Hose, 1/4 x 18 w/F JIC Ends | ns | 98043 | 3 | 3/8-16 x 1 Button Cap Screw |
| 6* | 56615-1 | 6 | Elbow, 90° –6 M JIC/–6 M ORB | | | | |

F = Female ns = not shown M = Male

* Also used for central hydraulics, qty 5.

MVP 3™ CENTER ASSEMBLY 74300/74310(CH)/74400

Electrical Components



| Plow-Side Electrical Components | | | | | | |
|---------------------------------|---------|-----|---|------|---------|--|
| Item | Part | Qty | Description | Item | Part | Qty Description |
| 1 | 28583 | 1 | Plow Control Harness, 8-Solenoid | 8 | 44354-3 | 1 Plow Module |
| 2 | 29071 | 1 | Cable Assembly 8" | 9 | 44355 | 2 1/4-20 x 5/8 Hex Washer-Head Thread-Rolling Screw |
| 3 | 42015 | 1 | Snowplow Battery Cable | 10 | 98043 | 3 3/8-16 x 1 Button Cap Screw |
| 4 | 42902 | 1 | Motor Relay Kit FLEET FLEX System | ns | 56099 | 1 Dielectric Grease |
| 5 | 29099 | 2 | 1/4-20 x 1/4 Hex Washer-Head Thread-Rolling Screw | ns | | 4 Fuse, 4A Mini Automotive-Style (for items 1 and 6) |
| 6 | 28581-1 | 1 | Plow Control Harness, 3-Solenoid | | | |
| 7 | 44308 | 1 | Spacer Module | | | |

ns = not shown

| Vehicle-Side Electrical Components (diagrams on following pages) | | | | | | |
|---|-------|-----|--|------|--------|--|
| Item | Part | Qty | Description | Item | Part | Qty Description |
| A† | 72527 | 1 | Vehicle Battery Cable | D | 61548K | 1 Plug Cover Kit (shown w/plow-side electrical components) |
| B* | 28587 | 1 | Vehicle Control Harness | E | 29998 | 1 Fuse Cover (pkg of 5) |
| C** | 26498 | 1 | Vehicle Control Harness – Central Hydraulics | | | |

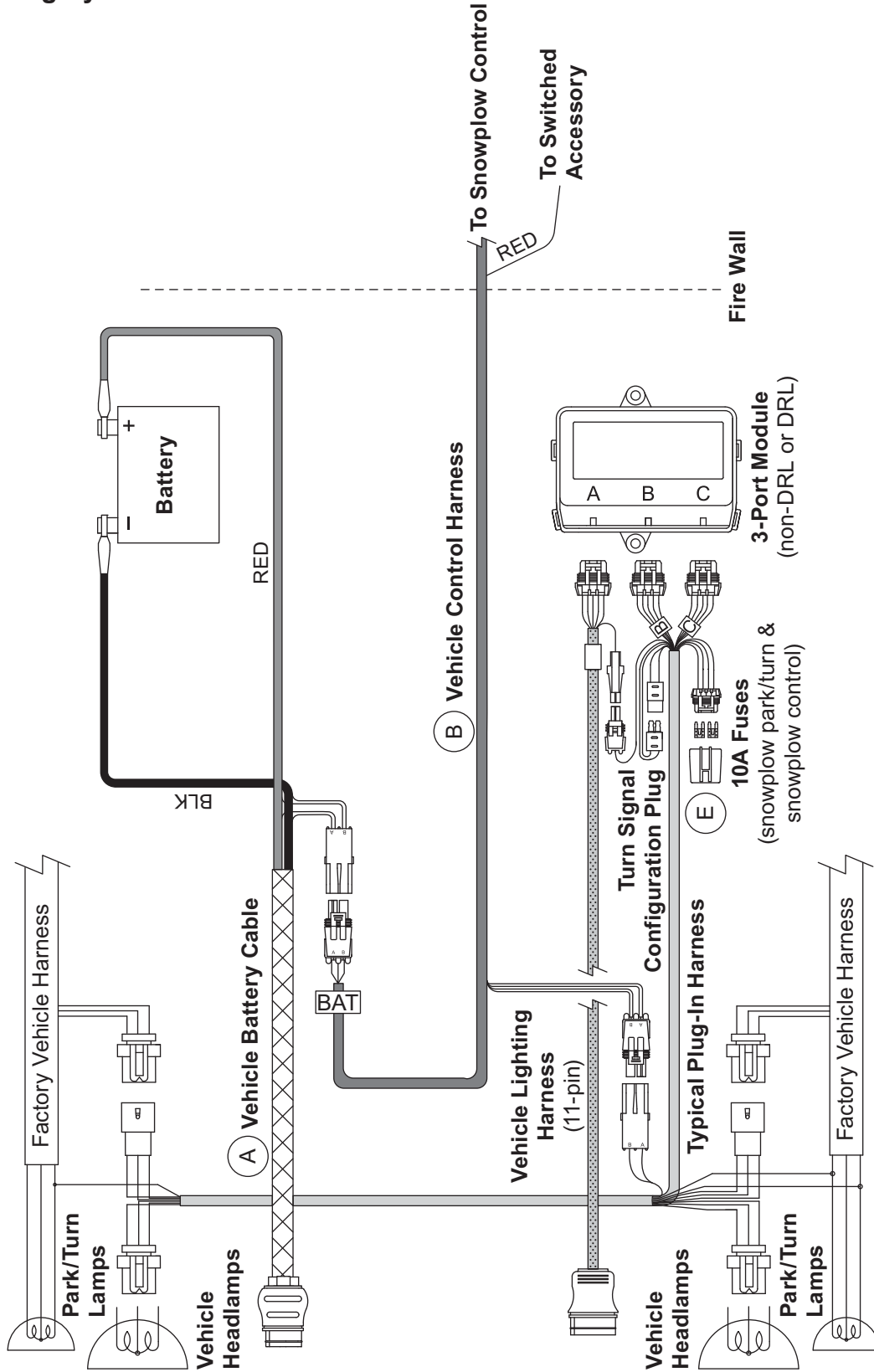
* See Vehicle-Side Harness Diagram – 3-Plug, 2-Port System.

** See Vehicle-Side Harness Diagram – Central Hydraulics.

† Not used for central hydraulics.

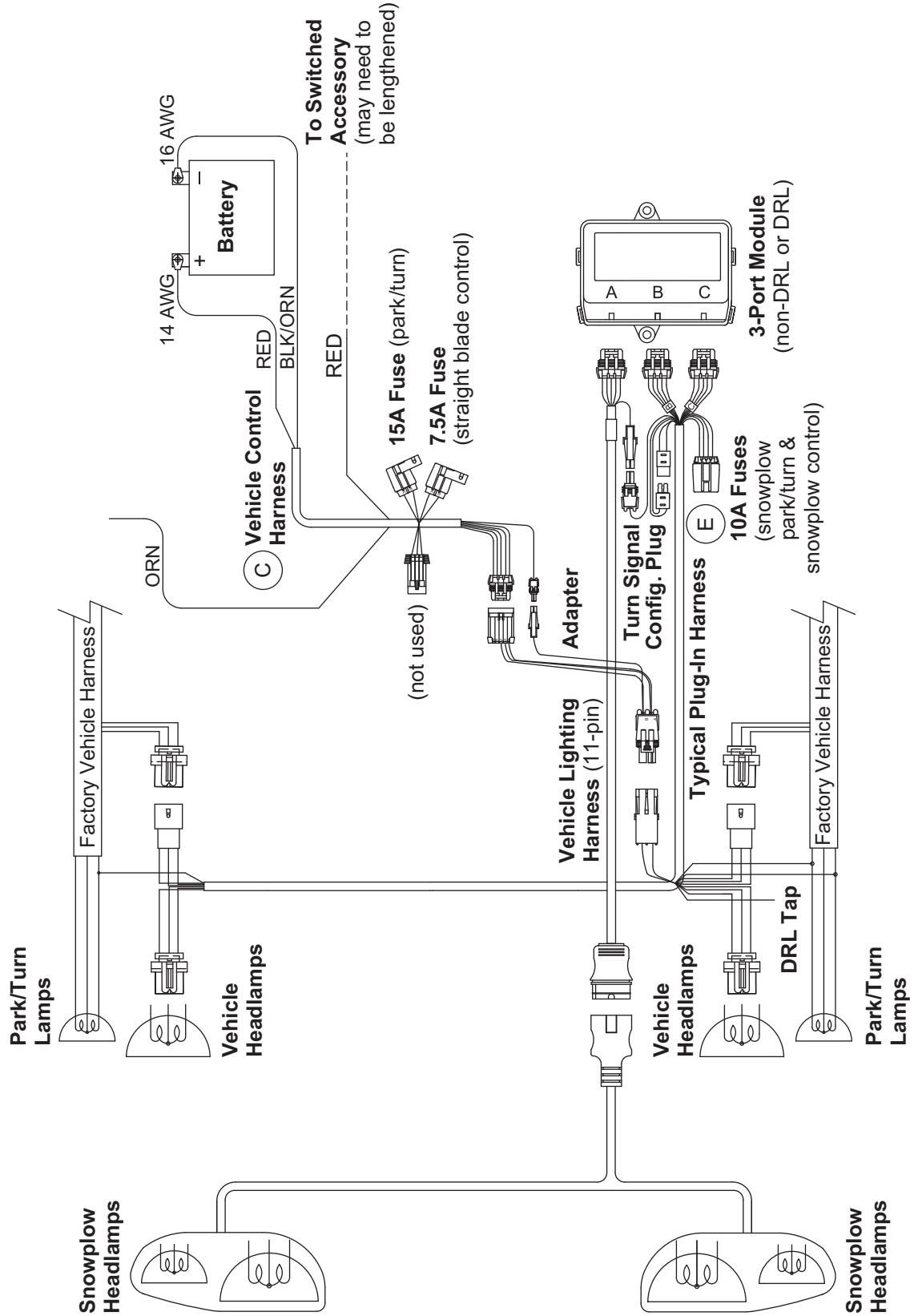
MVP 3™ CENTER ASSEMBLY 74300/74400

Vehicle-Side Harness Diagram 3-Port, 2-Plug System



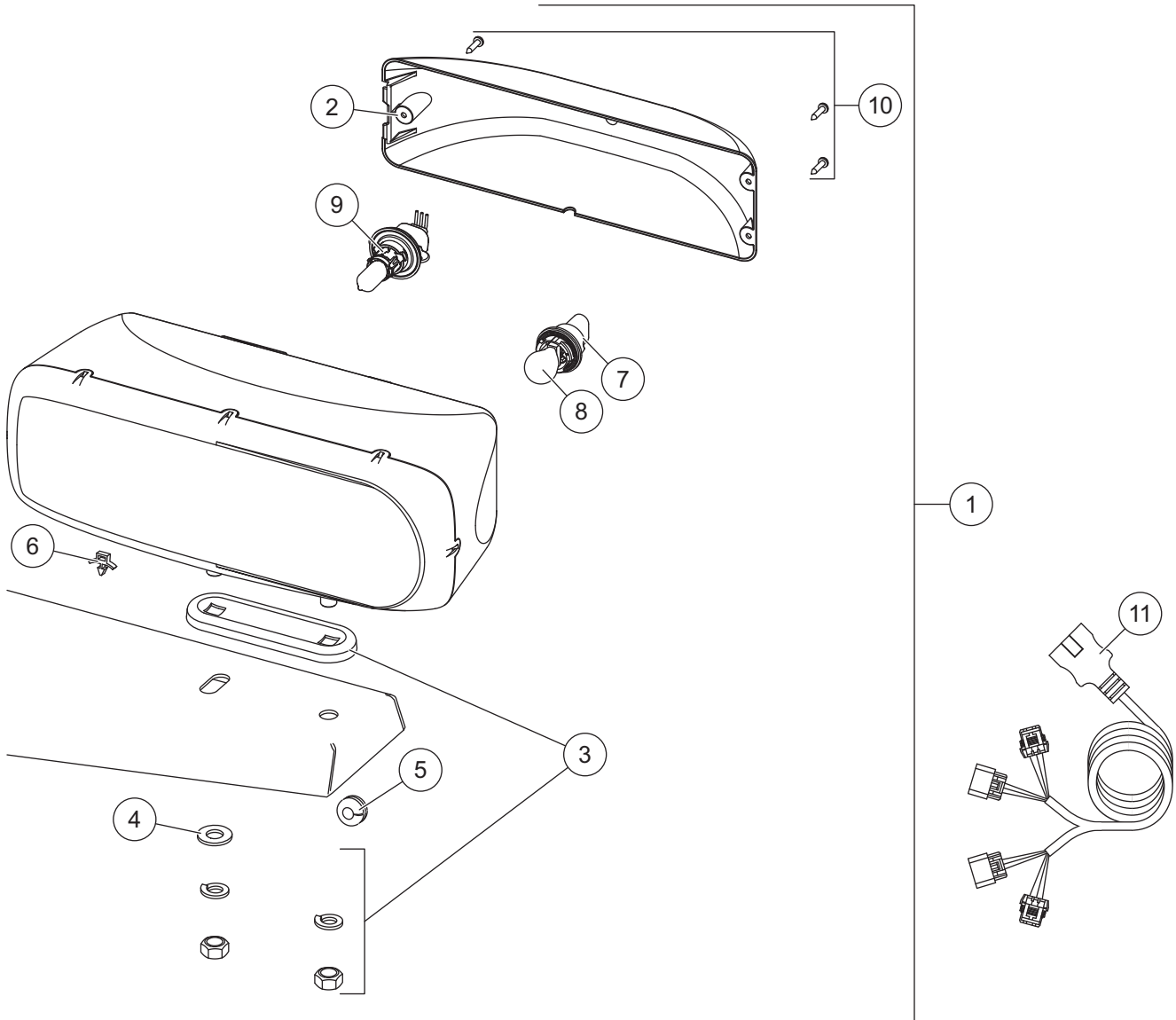
MVP 3™ CENTER ASSEMBLY 74310(CH)

Vehicle-Side Harness Diagram – Central Hydraulics



MVP 3™ CENTER ASSEMBLY 74300/74310(CH)/74400

Headlamp Kit



28800-1 Headlamp Kit (pair)

| Item | Part | Qty | Description | Item | Part | Qty | Description |
|------|---------|-----|-------------------------------------|------|---------|-----|-------------------------------------|
| 1 | 28801-1 | 1 | Headlamp Service Kit – DS | 6 | 56595 | 7 | Cable Tie Anchor |
| ns | 28802-1 | 1 | Headlamp Service Kit – PS | 7 | 28805 | 2 | Park/Turn Socket Service Kit |
| 2 | 28803-1 | 2 | Rear Cover Kit (fits 2- or 3-screw) | 8 | | 2 | Park/Turn Bulb (trade no. 4157NAK) |
| 3 | 28804 | 2 | Mounting Hardware Kit | 9 | 28806 | 2 | Headlamp Bulb Service Kit H13 |
| 4 | 91105 | 2 | 1/2 Flat Washer | 10 | 28808-1 | 2 | Cover Screws Service Kit (pkg of 3) |
| 5 | 66130 | 2 | Rubber Grommet | 11 | 28213W | 1 | Harness Service Kit |

ns = not shown



Western Products
PO Box 245038
Milwaukee, WI 53224-9538
www.westernplows.com

 A DIVISION OF DOUGLAS DYNAMICS, LLC

Copyright © 2020 Douglas Dynamics, LLC. All rights reserved. This material may not be reproduced or copied, in whole or in part, in any printed, mechanical, electronic, film, or other distribution and storage media, without the written consent of Western Products. Authorization to photocopy items for internal or personal use by Western Products outlets or snowplow owner is granted.

Western Products reserves the right under its product improvement policy to change construction or design details and furnish equipment when so altered without reference to illustrations or specifications used. Western Products or the vehicle manufacturer may require or recommend optional equipment for snow removal. Do not exceed vehicle ratings with a snowplow. Western Products offers a limited warranty for all snowplows and accessories. See separately printed page for this important information. The following are registered (®) or unregistered (™) trademarks of Douglas Dynamics, LLC: CONTRACTOR GRADE®, MVP 3™, SECURITY GUARD™, ULTRAFINISH™, UltraMount® 2, WESTERN®.

Printed in U.S.A.