



Fisher Engineering

77865, 87500

50 Gordon Drive, Rockland, Maine 04841-2139 • www.fisherplows.com

February 1, 2017
Lit. No. 52548, Rev. 03

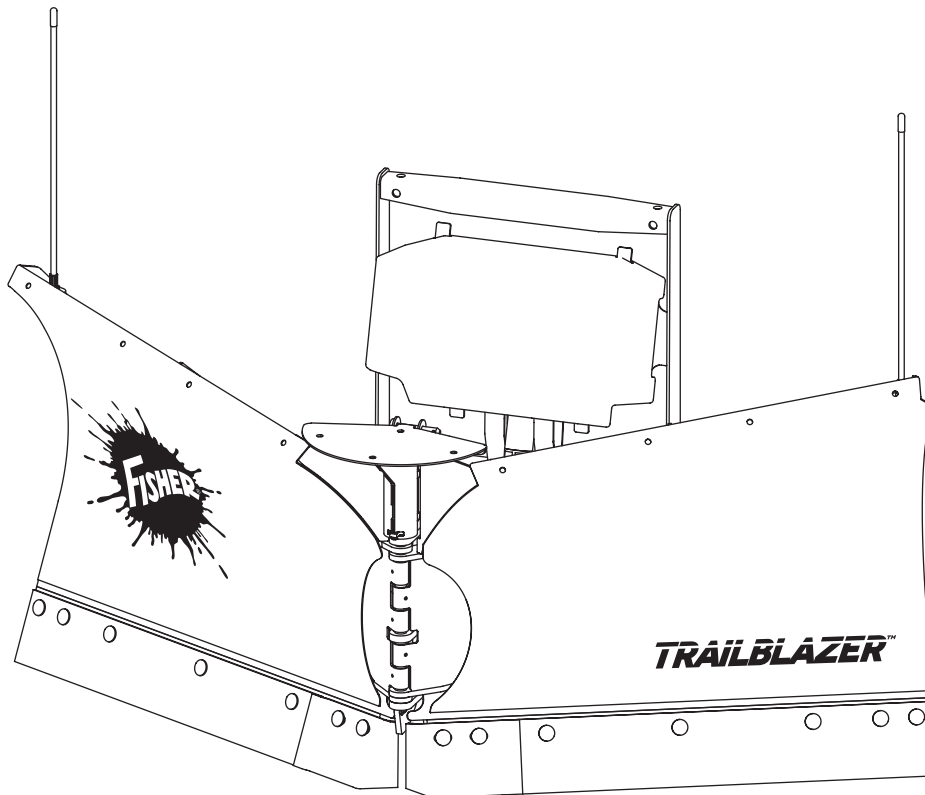


TRAILBLAZER™

Blade and Off-Truck Kit

TRAILBLAZER™ UTV V-Plow

Parts List



TRAILBLAZER™ BLADE 4

HEADGEAR AND T-FRAME 6

HYDRAULIC COMPONENTS 8

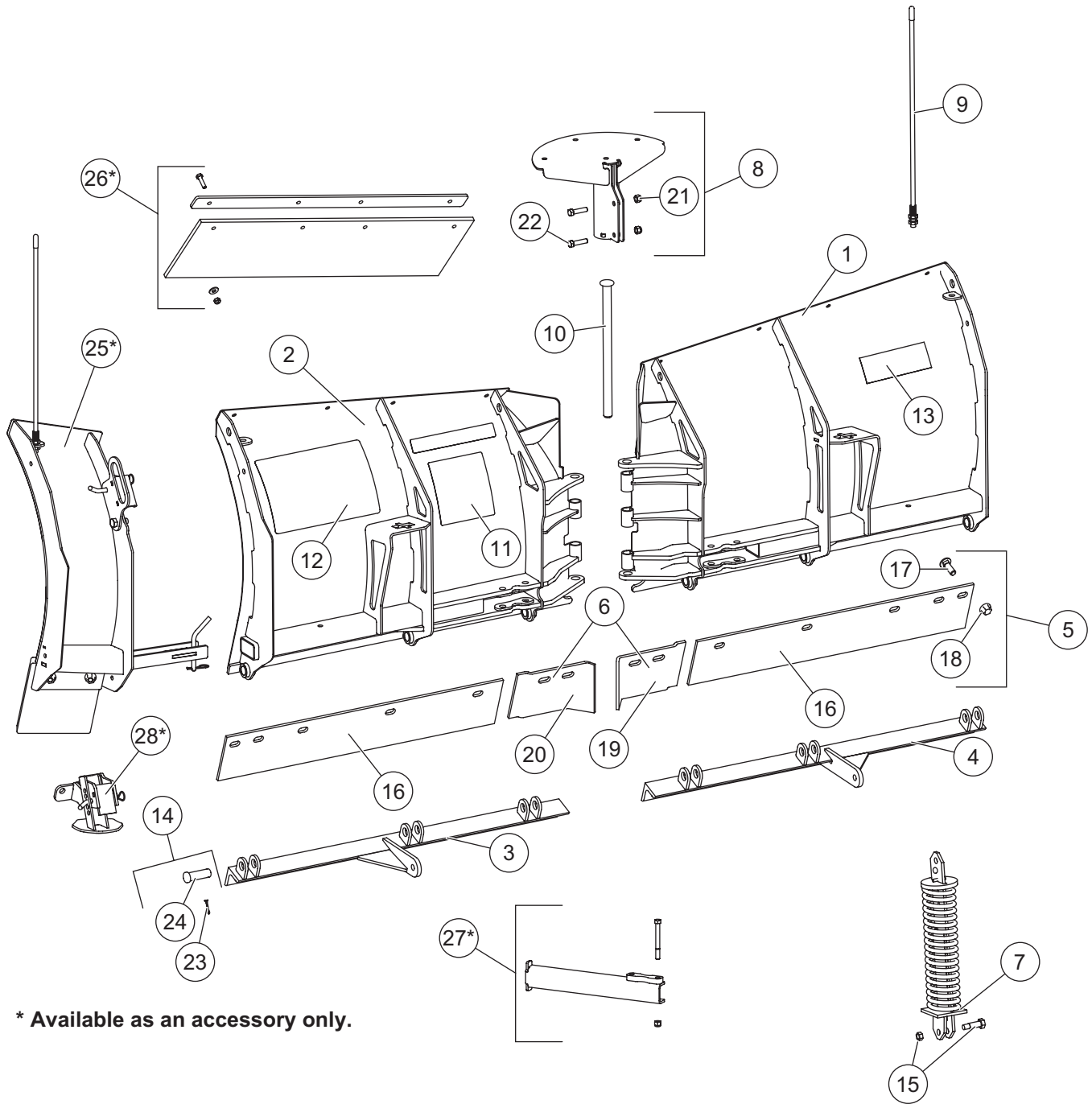
 Hydraulic Unit..... 8

 Lift and Angle Rams 10

 Hoses and Fittings 11

VEHICLE-SIDE HARNESS DIAGRAM..... 12

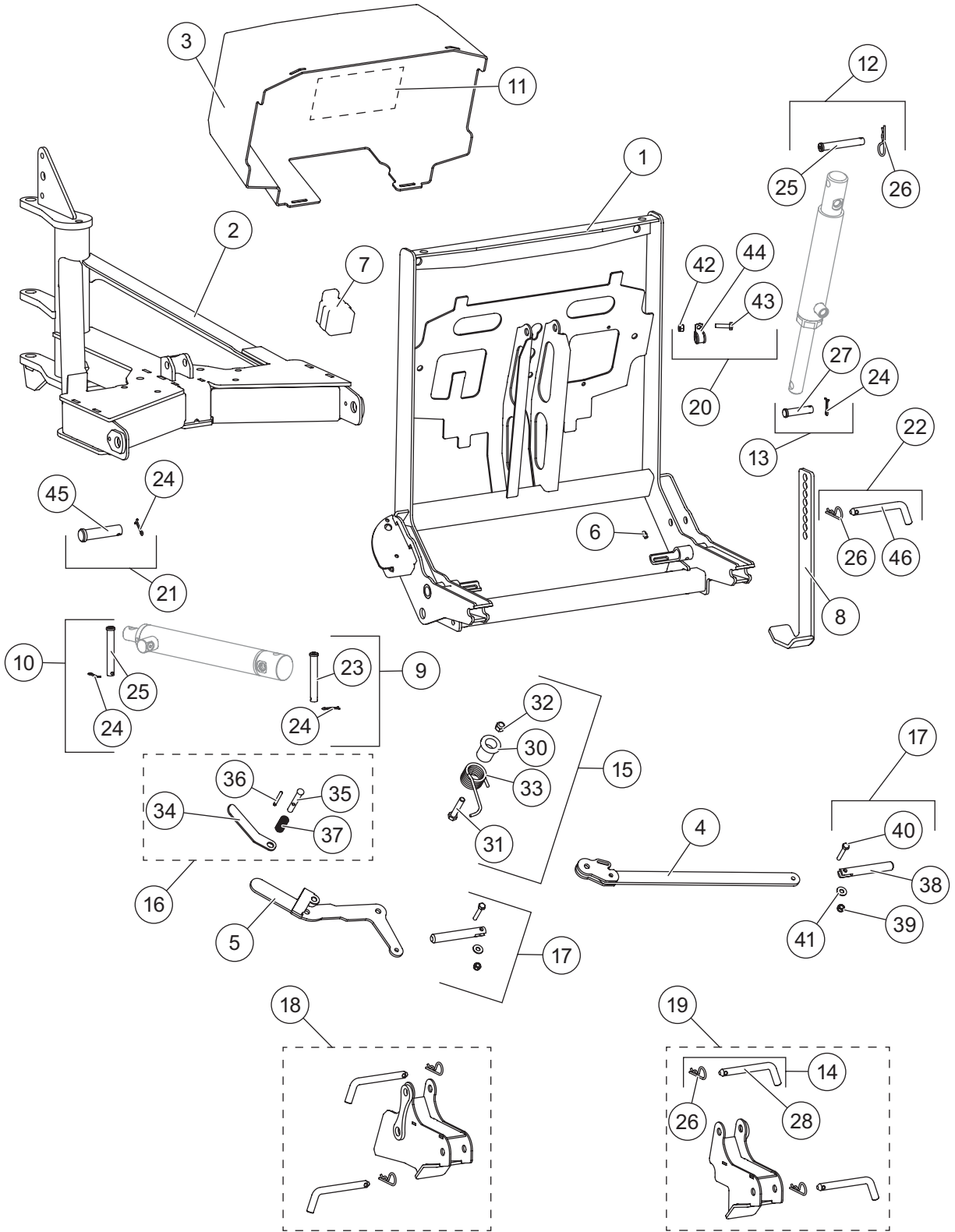
Blade Components



* Available as an accessory only.

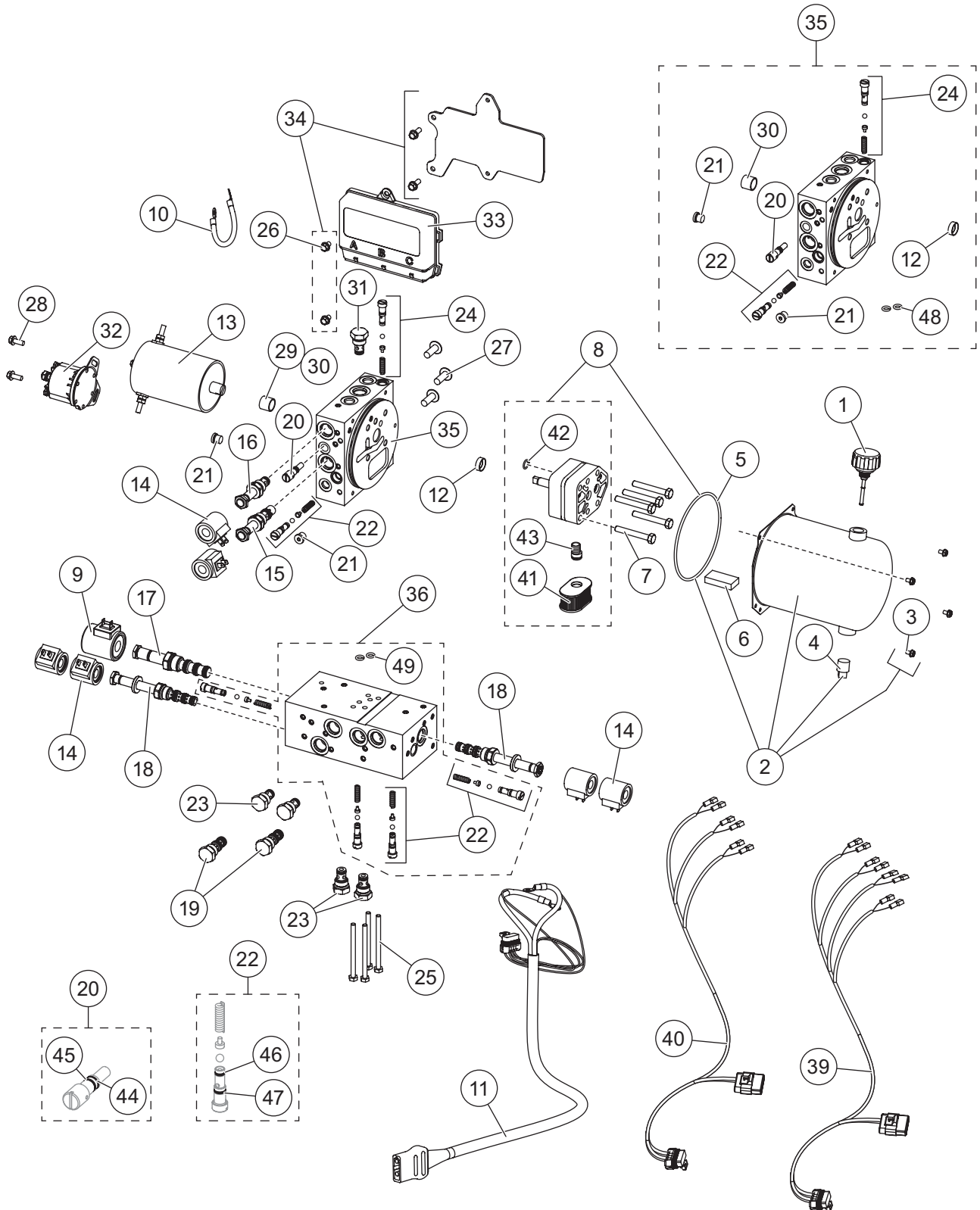
TRAILBLAZER™ Blade Components							
Item	Part	Qty	Description	Item	Part	Qty	Description
1	83615	1	Blade, PS (incl. base angle, trip spring and labels)	9	27195	1	Blade Guides
2	83614	1	Blade, DS (incl. base angle, trip spring and labels)	10	51702	1	3/4 x 12-5/8 Pin
3	83612	1	Base Angle, DS	11	84847	1	Label – Warning/Caution, Snowplow
4	83613	1	Base Angle, PS	12	88335	1	Label – UTV Attach/Detach
5	84829	1	Cutting Edge Kit w/Fasteners	13	26211	1	Label – STORM GUARD™
6	83622	1	Center Cutting Edge Kit	14	84844	6	3/4 x 2-3/16 Pin Kit
7	21452	2	Removable Spring Assembly	15	40905	1	Shoulder Bolt w/Locknut Kit
8	83626	1	Snow Control Kit	ns	20238	1	Label – FISHER® Splatter
				ns	84772	1	Label – TRAILBLAZER
Item 5 84829 Cutting Edge Kit w/Fasteners							
16	84830	2	1/4 Cutting Edge	19	84323	1	Center Cutting Edge UTV – PS
17		10	1/2-13 x 1-1/2 Carriage Bolt G8	20	84325	1	Center Cutting Edge UTV – DS
18		10	1/2-13 Flanged Locknut				
Item 6 83622 Center Cutting Edge Kit							
17		4	1/2-13 x 1-1/2 Carriage Bolt G8	19	84323	1	Center Cutting Edge UTV – PS
18		4	1/2-13 Flanged Locknut	20	84325	1	Center Cutting Edge UTV – DS
Item 8 83626 Snow Control Kit							
		1	Snow Control	22		2	3/8-16 x 1-1/2 Hex Cap Screw
21		2	3/8-16 Hex Locknut GB				
Item 14 5523K 3/4 x 2-3/16 Pin Kit							
23		1	5/32 x 1-1/4 Cotter Pin	24		1	3/4 x 2-3/16 Pin
Item 15 40905 Shoulder Bolt w/Locknut Kit							
		1	7/16-14 x 1-5/8 Hex Shoulder Bolt			1	7/16-14 Hex Locknut GB
TRAILBLAZER Blade Accessories							
Item	Part	Qty	Description	Item	Part	Qty	Description
25	52657*	1	Accessory Wing Kit (Pair)	27	83616*	1	Blade Stop Kit (Pair)
26	52654*	1	Deflector Kit (Pair)	28	52656*	1	Accessory Shoe Kit (Pair)
ns = not shown				* = Accessory Only		G = Grade	

Headgear and T-Frame Components



TRAILBLAZER™ Headgear and T-Frame Components							
Item	Part	Qty	Description	Item	Part	Qty	Description
1	84361	1	Headgear	12	85199	1	Lift Ram Base Pin Kit
2	83628	1	T-Frame	13	84627	1	Lift Ram Rod Pin Kit
3	84843	1	Hydraulic Cover (incl. item 11)	14	84610	4	Receiver Pin Kit
4	83635	1	Link	15	83636	1	Torsion Spring/Spacer Kit
5	83634	1	Handle	16	83633	1	Attach Handle Release Cam Kit
6	84616	1	Grease Zerk (3-Pack)	17	84602	2	Hitch Pin Kit
7	61246	1	Cable Boot	18	83637	1	Receiver Kit, DS
8	84846	1	Stand	19	83638	1	Receiver Kit, PS
9	83629	2	Angle Ram Base Pin Kit	20	84778	1	Power Cable Clamp Loop Kit
10	85198	2	Angle Ram Rod Pin Kit	21	83630	1	T-Frame Pin Kit
11	43862	1	Label – Hydraulic	22	83825	1	Stand Pin Kit
Item 9				83629 Angle Ram Pin Kit			
23	1	1/2 x 3-11/16	Clevis Pin HT	24	1	5/32 x 1-1/2	Cotter Pin
Item 10				85198 Angle Ram Pin Kit			
24	1	5/32 x 1-1/2	Cotter Pin	25	1	1/2 x 2-7/8	Clevis Pin HT
Item 12				85199 Lift Ram Base Pin Kit			
25	1	1/2 x 2-7/8	Clevis Pin HT	26	1	1/8	Hairpin Cotter
Item 13				84627 Lift Ram Rod Pin Kit			
24	1	5/32 x 1-1/2	Cotter Pin	27	1	1/2 x 2-1/8	Clevis Pin HT
Item 14				84610 Receiver Pin Kit			
26	1	1/8	Hairpin Cotter	28	1	1/2 x 4	Clevis Pin
Item 15				83636 Torsion Spring/Spacer Kit			
30	1	Spacer, Handle Spring		32	1	3/8-16	Hex Locknut GB
31	1	3/8-16 x 2-1/4	Hex Cap Screw G5	33	1	Torsion Spring	
Item 16				83633 Attach Handle Release Cam Kit			
34	1	Handle Lock Pin Lever		36	1	3/16 x 1-3/8	Spring Pin SS
35	1	Lock Pin		37	1	Stand Lock Pin Spring	
Item 17				84602 Hitch Pin Kit			
38	1	Hitch Pin		40	1	1/4-20 x 1-1/2	Hex Cap Screw SS
39	1	1/4-20	Hex Locknut GB	41	1	1/4	Flat Washer Type A Wide
Item 18				83637 Receiver Kit, DS			
	1	Receiver, DS		14	2	Receiver Pin Kit	
Item 19				83638 Receiver Kit, PS			
	1	Receiver, PS		14	2	Receiver Pin Kit	
Item 20				84778 Power Cable Clamp Loop Kit			
42	1	1/4-20	Hex Locknut GB	44	1	#10	Clamp Loop
43	1	1/4-20 x 1	Hex Cap Screw G5				
Item 21				83630 T-Frame Pin Kit			
24	1	5/32 x 1-1/2	Cotter Pin	45	1	3/4 x 3	Clevis Pin
Item 22				83825 Stand Pin Kit			
26	1	1/8	Hairpin Cotter	46	1	3/8 x 2-3/8	Clevis Pin
		G = Grade				HT = Heat Treated	
						SS = Stainless Steel	

Hydraulic Unit Components



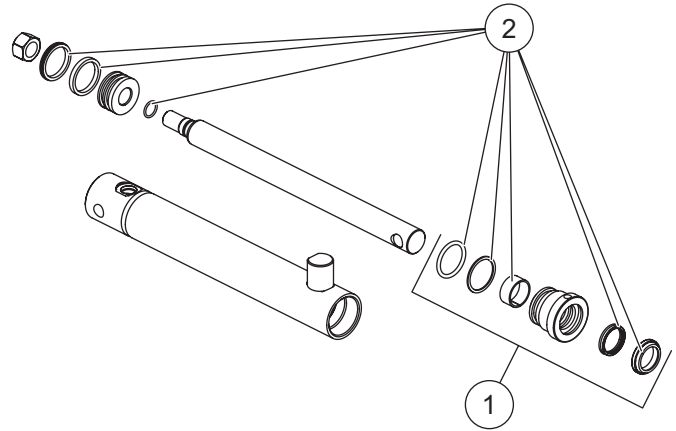
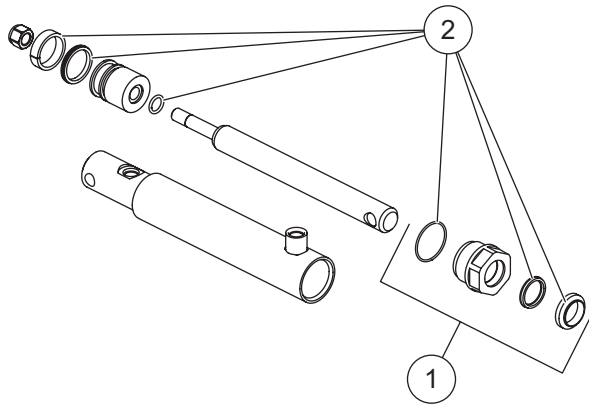
52652 TRAILBLAZER™ Hydraulic Unit							
Item	Part	Qty	Description	Item	Part	Qty	Description
1	66525	1	Reservoir Filler Breather	21	44344	2	Plug, Hex Socket –4 M ORB
2	48538	1	Reservoir Kit	22	7629K-3	2-1/2	Relief Valve Kit (2 sets)
3	66607	4	10-24 x 5/16 Machine Screw	23	44333-1	4	Check Valve CV08-20
4	92079	1	Plug, Square 3/8 NPTF	24	27792-1	1	Relief Valve Repair Kit – Set
5	66519	1	O-Ring 2-250	25	90696	4	1/4-20 x 3-1/2 Hex Cap Screw G5
6	73897	1	Magnet	26	43988	2	1/4-20 x 3/8 Hex Washer-Head Thread-Rolling Screw
7	90073	5	5/16-18 x 2-1/4 Hex Cap Screw G5	27	98043	3	3/8-16 x 1 Button Cap Screw
8	52553	1	Pump Kit	28	44355	4	1/4-20 x 5/8 Hex Washer-Head Thread-Rolling Screw
9	84901	1	Coil 10 w/Spades	29†	64596-1	1	Sleeve-Bearing and Shaft Seal Kit
10	29071	1	Cable Assembly, 8"	30†	56364	1	Bearing Sleeve
11	42015	1	Cable Assembly, Plow	31	84934	1	Check Valve
12*	66515	1	Pump Shaft Seal	32	52290	1	Motor Relay
13	48543-1	1	Motor Assembly 3"	33	52292-1	1	Plow Module
14	7639K-2	6	Coil w/Spade Terminals	34	52293-1	1	Module Plate
15	44331	1	Valve – SVCV08-20 w/Nut	35	52551	1	Primary Manifold, w/o Valves
16	84936	1	Valve – 2-Way NC w/Rev Flow	36	52552	1	Secondary Manifold, w/o Valves
17	84900	1	Valve – 4-Way SV10-43 w/Nut	39	52215	1	Plow Control Harness, 4-Coil
18	52285	2	Valve – 4-Way 3-Position Closed Center w/Nut and Spacer	40	52217	1	Plow Control Harness, 3-Coil
19	49459	2	Valve – PC08-30 w/Nut				
20	48517	1	Quill				
Item 2 48538 Reservoir Kit							
		1	Reservoir	4	92079	1	Plug, Square 3/8 NPTF
3	66607	4	10-24 x 5/16 Machine Screw	5	66519	1	O-Ring 2-250
Item 8 52553 Pump Kit							
		1	Pump	42	56274	1	O-Ring -013
5	66519	1	O-Ring 2-250	43	10887	1	Fitting, Hydraulic Pump Inlet
41	26781-3	1	Suction Filter				
Item 20 48517 Quill							
44	48239	1	O-Ring -106	45	48240	1	Back-Up Ring -106
Item 22 7629K-3 Relief Valve Kit							
46	55371	6	O-Ring -008	47	25731	6	O-Ring -010
Item 35 52551 Primary Manifold w/o Valves							
12*	66515	1	Pump Shaft Seal	24	27792-1	1	Relief Valve Repair Kit – Set
20	48517	1	Quill	30†	56364	1	Bearing Sleeve
21	44344	2	Plug, Hex Socket –4 M ORB	48	43818	2	O-Ring -109
22	7629K-3	2	Relief Valve Kit (2 sets)				
Item 36 52552 Secondary Manifold w/o Valves							
22	7629K-3	2	Relief Valve Kit (2 sets)	49	43818	2	O-Ring -109
O-Ring Service Kits							
ns	52298-1		O-Ring Kit (Does not contain O-rings for valves.)	ns	49259-2		Seal Kit – 3-Way and 4-Way Valve
ns	49258-2		Seal Kit – 2-Way Valves	ns	84909		Seal Kit, Size 10 – 3-Way and 4-Way Valve
ns = not shown				G = Grade			

* Use 28856 tool for pump shaft seal replacement (includes 1 seal).

† Use 64589 tool for bearing sleeve replacement (includes 1 bearing).

Go to www.fisherplows.com for hydraulic unit service information and specifications.

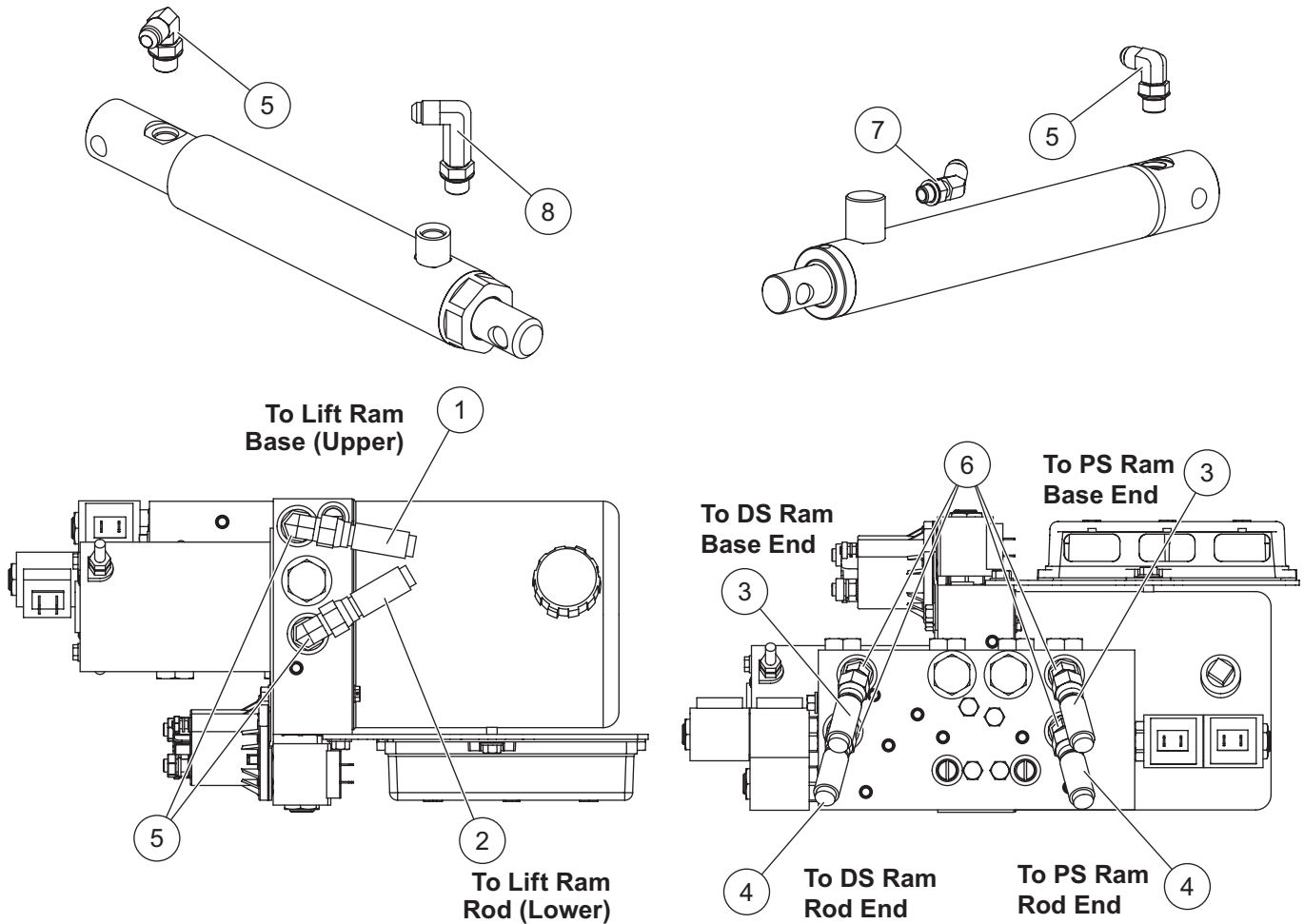
Lift and Wing Ram Components



84496 Lift Ram Assembly 1-1/2 x 6			
Item	Part	Qty	Description
1	52277	1	1" Gland Nut Assembly
2	27788-1	1	Seal Kit 1-1/2 DA Ram

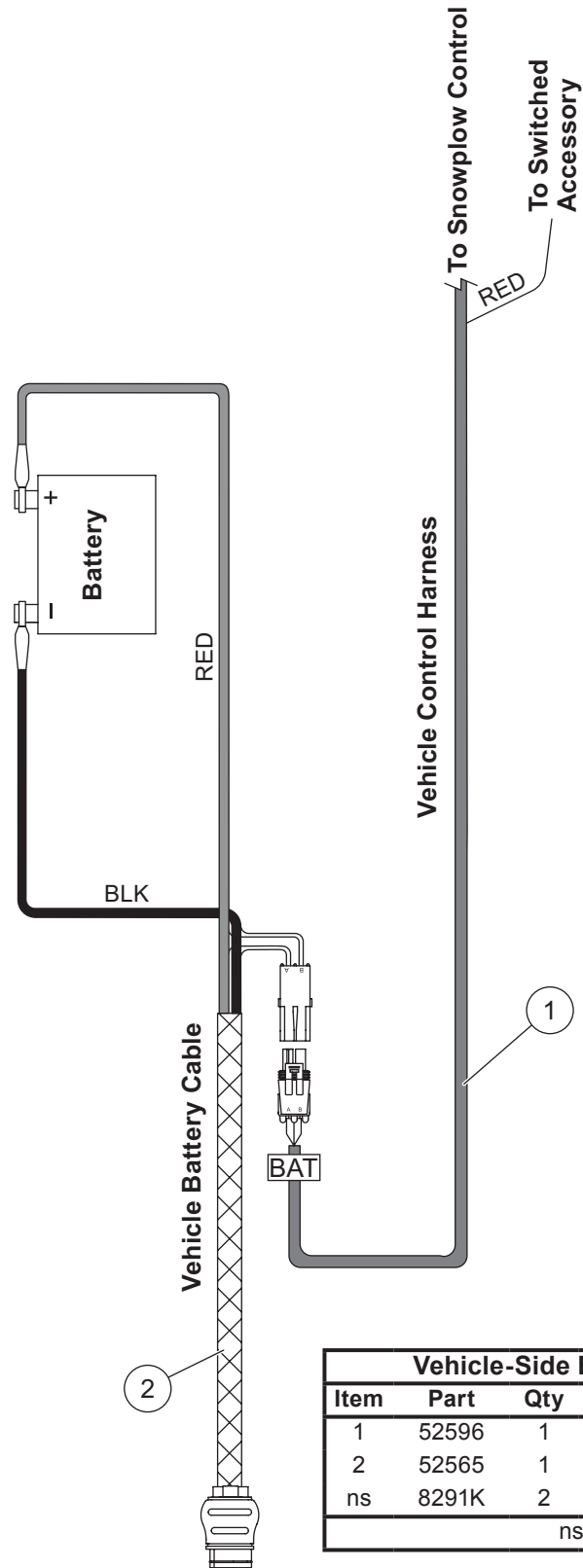
84435 Wing Ram Assembly 1-1/2 x 8-3/4 DA			
Item	Part	Qty	Description
1	52558	1	1" Gland Nut Assembly
2	52557	1	Seal Kit 1-1/2 DA Ram

Hoses and Fittings



Hoses and Fittings							
Item	Part	Qty	Description	Item	Part	Qty	Description
1	84446	1	Hose, 1/4 x 14 w/F JIC Ends	6	56726	4	Elbow, 45° -6 M JIC/-6 M ORB
2	84453	1	Hose, 1/4 x 20 w/F JIC Ends	7	41093	2	Elbow, 45° -6 M JIC/-4 M ORB
3	56710	2	Hose, 1/4 x 32 w/F JIC Ends	8	44361	1	Elbow, Extra Long 90° -6 M JIC/-6 M ORB
4	56599	2	Hose, 1/4 x 36 w/F JIC Ends				
5	56615-1	5	Elbow, 90° -6 M JIC/-6 M ORB				
F = Female				M = Male			

Vehicle-Side Harness Diagram



Vehicle-Side Electrical Components			
Item	Part	Qty	Description
1	52596	1	Vehicle Control Harness
2	52565	1	Vehicle Battery Cable
ns	8291K	2	Plug Cover
ns = not shown			

Copyright © 2017 Douglas Dynamics, LLC. All rights reserved. This material may not be reproduced or copied, in whole or in part, in any printed, mechanical, electronic, film or other distribution and storage media, without the written consent of Fisher Engineering. Authorization to photocopy items for internal or personal use by Fisher Engineering outlets or snowplow owner is granted.

Fisher Engineering reserves the right under its product improvement policy to change construction or design details and furnish equipment when so altered without reference to illustrations or specifications used. Fisher Engineering or the vehicle manufacturer may require or recommend optional equipment for snow removal. Do not exceed vehicle ratings with a snowplow. Fisher Engineering offers a limited warranty for all snowplows and accessories. See separately printed page for this important information. The following are registered (®) or unregistered (™) trademarks of Douglas Dynamics, LLC: FISHER®, STORM GUARD™, TRAILBLAZER™.

Printed in U.S.A.
