

# Instructions Manual

## Direct Drive Under Tailgate Spreader

**NOTE:** This manual applies to spreaders starting with serial No. 1465

### Table of Contents

Warranty Information .....	1
Spreader Installation Instructions .....	1,2
Spreader Installation Drawing .....	2
Spinner Assembly Instructions.....	3,4
Spinner Assembly Drawing .....	3,4
Hydraulics Installation .....	5
Operating Instructions .....	5,6
Recommended Maintenance.....	6
Parts list: Spreader Assembly .....	7
Spreader Parts Drawing .....	7
Parts List: Hardware Box .....	8
Spinner Components Drawing.....	8
Auger Replacement Kit.....	8



### Installation Instructions

**NOTE:** The left and right end plates may, on occasion, get bent through improper handling during shipment or storage. If this should happen, square and true the left and right end plates before installation.

#### 1. Aligning the spreader:

- A.** Position the spreader with the truck such that the auger drive is located on the right side of the truck (passenger side).
- B.** Lift the spreader up and under the dump body tailgate, positioning the spreader forward as close as possible to the dump body. The tailgate of the dump body should lay down horizontally over the spreader.
- C.** Support the spreader solidly and securely when positioning for mounting.

#### 2. Attach mounting brackets: (See hardware installation drawing on page 2.)

- A.** Attach a quick detach plate, (Item 1) to both sides of the spreader frame using hinge pins (Item 2) and a hairpin cotter pins (Item 5).

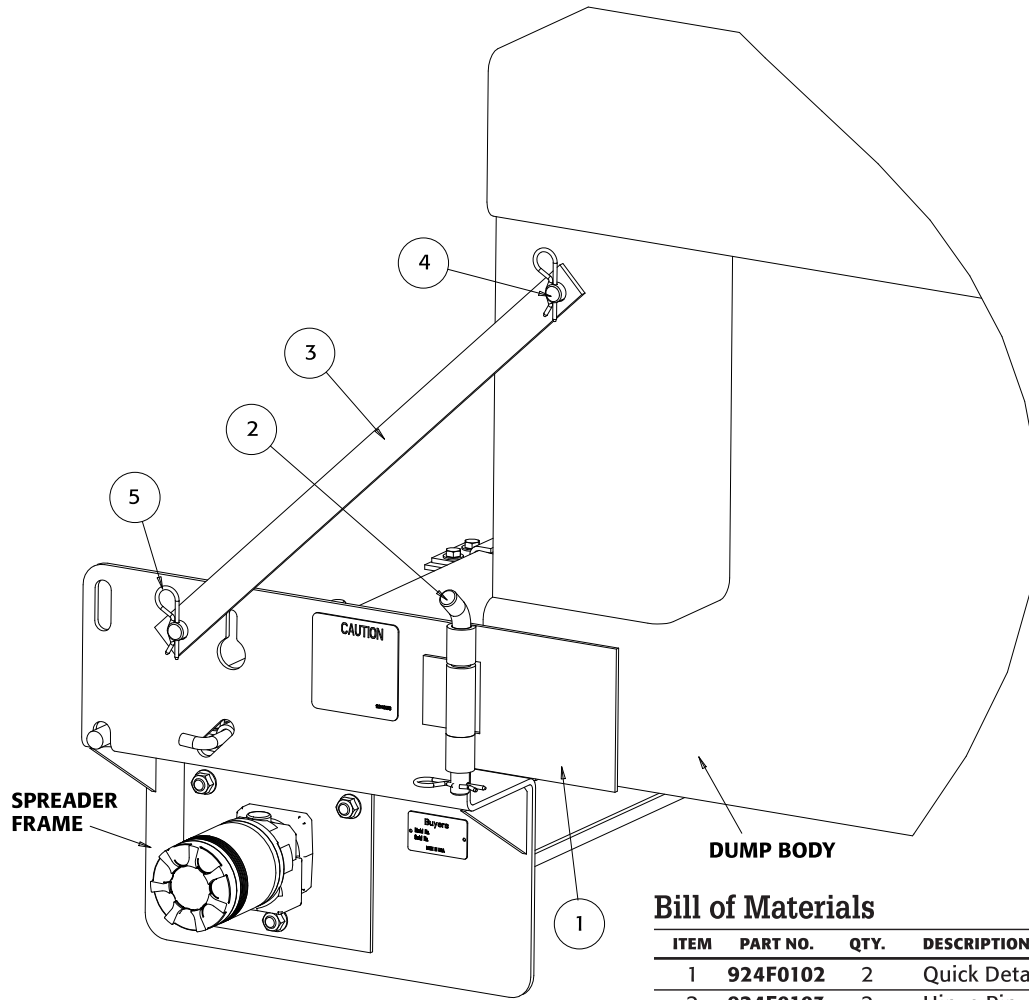
### UNDER TAILGATE SPREADER WARRANTY

This warranty replaces all previous warranties and no employee of this company is authorized to extend any additional warranties, or agreements, or implications not explicitly covered herein. Buyers Products Company warrants all parts of the product to be free from defects in material and workmanship for a period of (1) one year from the date of original installation. Parts must be properly installed and used under normal conditions. Normal wear is excluded.

Any part which has been altered, including modification, misuse, accident, or lack of maintenance will not be considered under this warranty. Hydraulic units are not to be disassembled without the express written permission from Buyers Products Company. The sole responsibility of Buyers Products Company under this warranty is limited to repairing or replacing any part(s) which are returned, prepaid, 30 days after such defect is discovered, and returned part(s) are found to be defective by Buyers Products Company.

Authorization from Buyers Products Company must be obtained before returning any part. The following information must accompany defective parts returned to Buyers Products Company: RMA#, spreader model, serial number, date installed, and distributor from whom it was purchased. Buyers Products Company shall not be liable for damage arising out of failure of any unit to operate properly, or failure, or delay in work, or for any consequential damages. No charges for transportation or labor performed on any part will be allowed under this warranty.

### Mounting Hardware Installation Drawing



#### Bill of Materials

ITEM	PART NO.	QTY.	DESCRIPTION
1	924F0102	2	Quick Detach Plate
2	924F0103	2	Hinge Pin
3	924F0101	2	Hanger Iron Brace
4	9240021B	2	Pin Brace
5	HP12	6	Hair Pin Cotter 5/32"

**B.** Position the (2) quick detach plates over the dump body rub rails and flush with rear edge of dump body.

**C.** Weld the (2) quick detach plates to the dump body rub rails. Weld the plates continuously around (3) sides of each plate. Do not weld along the edge of the plates next to the attachment pin.

**D.** Align the pin brace (Item 4) on the dump body using the iron brace (Item 3) for exact positioning. For proper fit, hanger iron brace may require some minor bending.

**E.** Weld the (2) pin braces (Item 4) to the dump body sides, all around.

**F.** Attach the iron braces (Item 3) to the pin braces on the sides of the dump body and the sides of the spreader using (2) hairpin cotter pins (Item 5).

**G.** If there is a gap between the spreader and the dump body, weld or bolt a steel strip to the forward edge of the spreader to cover the gap.

**H.** If you have purchased the tailgate side shields (purchased separately as P/N 924F0106), bolt or weld them to the inside of the tailgate to prevent material spillage at the ends of the spreader.

**3. Spinner assembly installation:** (See installation drawings on pages 3 and 4.)

**A.** Attach the spinner shield (Item 2) to the spinner frame (Item 1) using (3) 5/16-18 x 3/4 cap screws and (3) 5/16-18 hex flange nuts.

**B.** Attach the spinner disk sub assembly (Item 3) to the hydraulic motor on the spinner frame and tighten the set screw in the disk collar.  
*Note: Be sure to lubricate the hydraulic motor shaft generously with Never Seez lubricant before assembling.*

**C.** Attach the spinner frame assembly (Item 1) to the lower tray of the spreader with the hinge rod (Item 5) and attach (2) hairpin cotter pins.

**D.** Weld bar (Item 7) on the outside of the truck's (driver's side) main frame rail. Locate the center of the hole in the bar (Item 7) 11-1/2" vertically below the dump body hinge pin center.

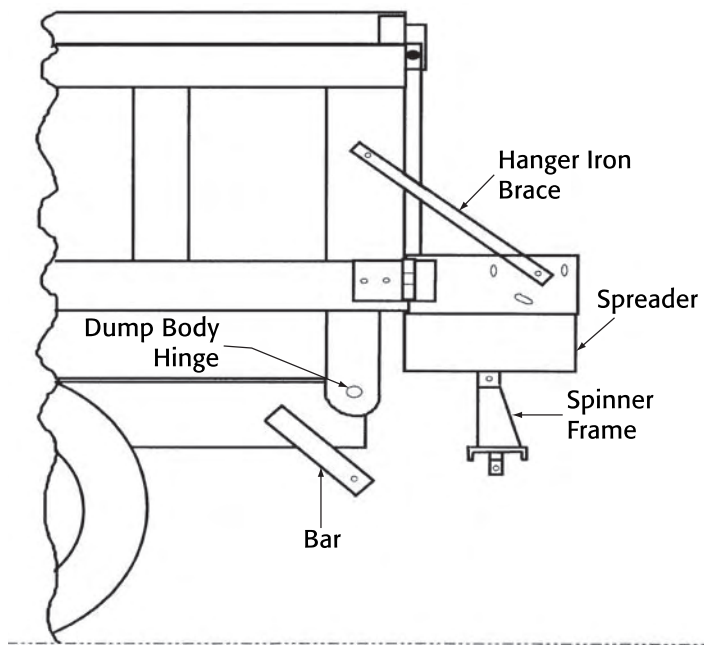
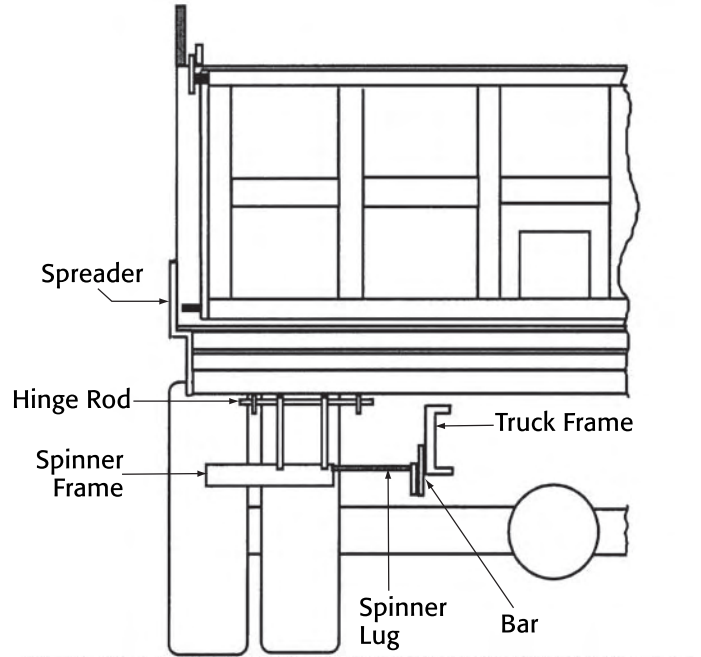
**E.** Bolt the spinner lug (Item 6) and hose clamp to the spinner frame using (1) 5/16-18 x 3/4 hex head cap screw and (1) 5/16-18 x 1-1/2 hex head cap screw with (2) 5/16 -18 hex nuts.

**F.** Attach one parallel linkage rod (Item 4) to the spinner lug (Item 6) using (1) 1/2" flat washer and (1) hairpin cotter pin. Attach the other parallel linkage rod (Item 4) to the frame bar (Item 7) using another 1/2" flat washer and another (1) hairpin cotter pin.

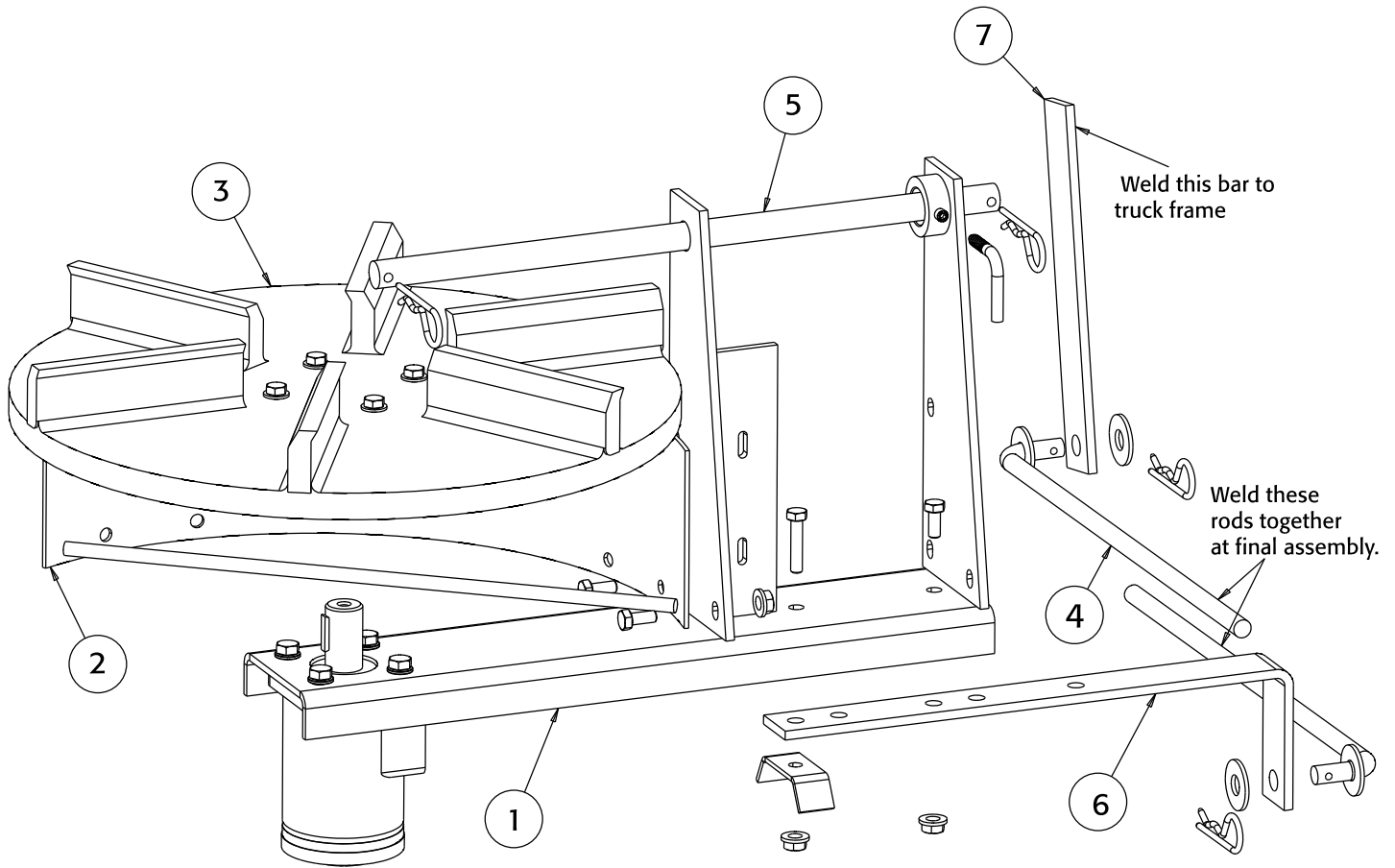
**G.** Keeping the spinner assembly level, remove the set screw from the clamp collar and secure the spinner frame in place using the spinner assembly lock.

**H.** Weld the (2) parallel linkage rods (Item 4) solidly together.

**Parallel Linkage, Spinner Frame & Bar Installation Drawings**



### Parallel Linkage, Spinner Frame & Bar Installation Drawings (cont.)



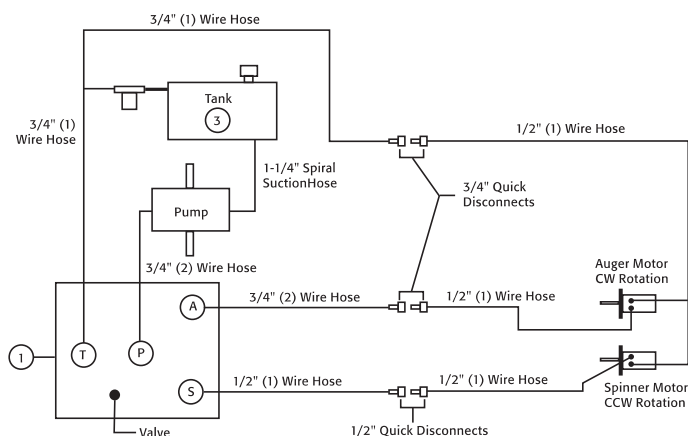
#### Bill of Materials

ITEM	QTY.	DESCRIPTION	CARBON	STAINLESS
1	1	Spinner Frame Assy.	3001471	3006679
2	1	Spinner Shield	924F0015	3006659
3	1	Spinner disk Assy.	3001472	3001472
4	2	Linkage Rods, Welded	924F0012	924F0012
5	1	Hinge Rod	924F0018	3006646
6	1	Spinner Lug	924F0013	3006645
7	1	Bar	924F0014	924F0014

## Hydraulic Installation Instructions

- A.** During assembly take precautions to keep all hydraulic components as clean as possible.
- B.** Allow enough hose length to prevent kinking and stretching of the hoses and to permit raising the dump body. Support long hoses with wire ties or clamps.
- C.** Protect hoses from wear caused by sliding and/or vibration.
- D.** For proper rotation of auger and spinner motors, hoses may be reversed.  
*Note: Use of a pipe joint sealant compatible with hydraulic oil is recommended for all screw fittings.*
- E.** Use swivel type hose ends to connect hoses to flow valve. Damage to valve body may occur if the fittings in flow valve are over tightened

### Hydraulic Pump Diagram



### Bill of Materials

ITEM	PART NO.	QTY.	DESCRIPTION
1	HV715	1	Dual Flow Regulator Valve
2	HVC1	1	Dual Flow Regulator Console
3	SMR15	1	15 Gallon Reservoir

## Operating Instructions

### CAUTION

- A. Be sure everyone is standing clear.**
- B. Be alert for anything that may require shutting down the system.**
- C. Before working in or around spreader equipment, be sure all hydraulic controls are moved to off position.**

### 1. Pre-start up.

- A.** Use high grade non foaming hydraulic oil to fill reservoir about 3/4 full.
- B.** Position valve on/off lever to off.
- C.** Move auger and spinner knobs on the valve to the open position.
- D.** Engage PTO and circulate hydraulic oil for several minutes to warm up.
- E.** Move valve on/off lever to on.
- F.** Inspect hydraulic system for leaks.
- G.** Check auger and spinner to see if they are working properly.
- H.** Refill reservoir to 3/4 full.
- I.** Hydraulic system should now be ready for use.

### 2. Initial use of spreader

- A.** Shut off spinner and auger knobs and position the on/off lever to on. Engage the PTO and allow the hydraulic system to warm up.
- B.** Open the cover plate and secure vertically with locking brackets.
- C.** Open dump body tailgate as wide as possible from bottom without bearing against cover plate. Set stop chains.

**D.** Position spinner assembly to the far left (drivers side), tighten clamp. Determine placement of material at various spinner and auger speeds by spreading a small amount of material (Far left position used to spread (3) three or (4) four lane highway from right lane).

**E.** Position spinner assembly to the far right (passenger side), tighten clamp. Determine placement of material at various spinner and auger speeds by spreading a small amount of material (Far right position used to spread (4) four lane highway from left lane).

**F.** Changing auger and spinner speeds on the valve and placing spinner at various positions from left to right will produce various spread patterns.

### 3. Miscellaneous

**A.** Valve setting changes may be made with truck in motion.

**B.** By moving on/off lever to the off position, spinner and auger may be stopped at the same time without changing their valve settings.

**C.** Close cover plate flat over spreader trough and lock in place for normal use of dump truck. Tailgate may be opened from top or bottom.

**D.** When truck is used for extensive hauling the spinner assembly should be removed.

**E.** If auger clogs, shut off spinner, open auger knob valve and increase the engine speed. With the engine at a higher speed, move the valve lever from the on to the off positions rapidly; repeat as needed. This action may unclog the auger. If this action fails to free the auger, manual unclogging will be required.

 **CAUTION**

**Before working in or around auger area, the valve control lever must be in the off position. Disengage PTO and shut off engine. Bottom tray may then be opened for unclogging auger.**

 **CAUTION**

**Position the valve on/off control lever in the off position when the spreader is not in use or is removed. In the event the valve on/off control lever is left in the on position, a heat problem may occur as the pump continues to pump oil to the hydraulic valve. This could cause a hose to burst spraying hot oil.**

### Recommended Maintenance

**A.** Warm up hydraulic system before using.

**B.** Keep the reservoir 3/4 full with high grade non-foaming hydraulic oil.

**C.** Use precautions to keep contaminants from getting in reservoir when filling.

**D.** Quick connects are a prime source of contamination.

**1.** Clean quick connects before connecting or disconnecting them.

**2.** Protect quick connects from contaminants at all times.

**E.** Lubricate all bearings with suitable type grease on a regular basis. More frequent lubrication is recommended during periods of heavy use.

**F.** Lubricate the spinner hinge rod periodically.

**G.** Maintain the proper lubrication level in all gearboxes with SAE 90 gear lubricant.

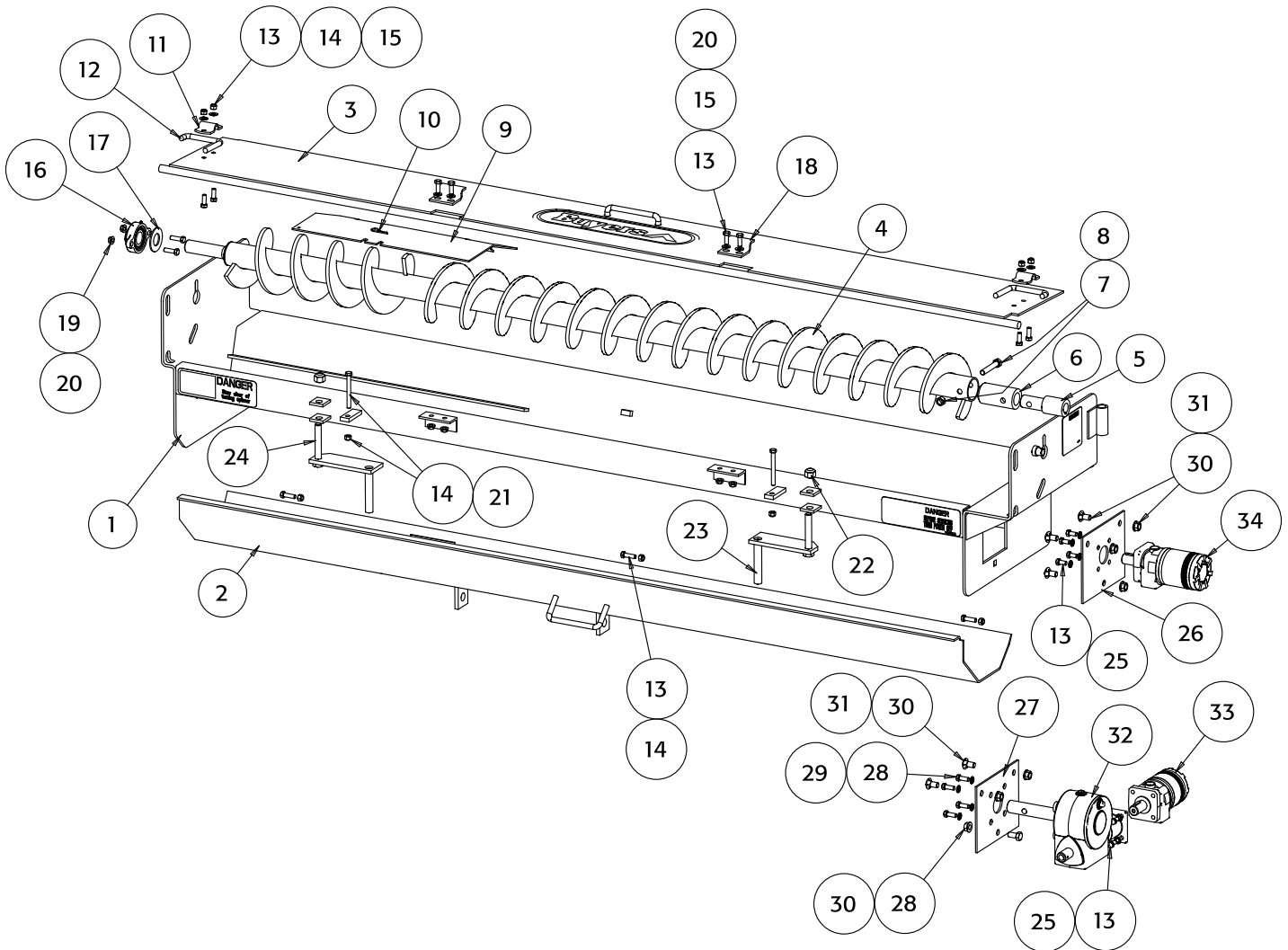
**H.** When not in use, keep the spreader tray empty to prevent freezing of material around auger in extremely cold weather.

**I.** To extend the life of your spreader:

**1.** Hose down and clean after each use.

**2.** Repaint and/or oil after each season.

### Spreader Assembly Parts List

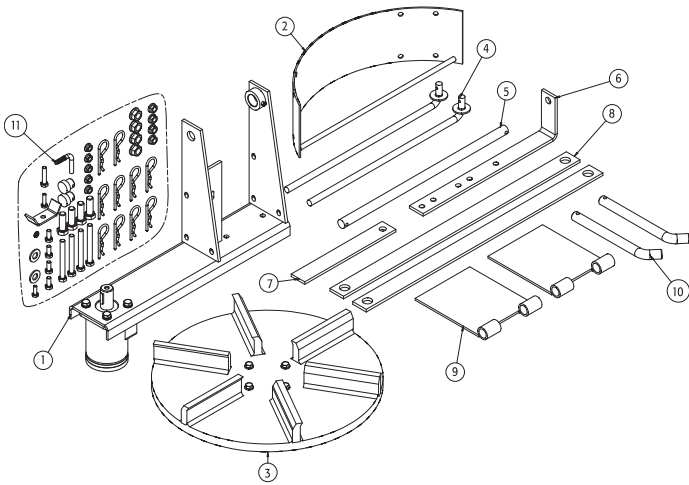


#### Bill of Materials

ITEM	QTY.	DESCRIPTION	CARBON	STAINLESS
1	1	Spreader Frame	3003726	3003716
2	1	Formed Lower Tray	924F004	3000257
3	1	Top Cover	3006966	3006969
4	1	Auger	924F0081	924F0081
5	1	Adaptor	924F0084	924F0084
6	1	Spacer Sleeve	9240083	9240083
7	1	Bolt	3001250	3001250
8	1	Nut, Hex	3001253	3001253
9	1	Spinner Cover Plate	924F0105	3000270
10	1	Hairpin Cotter Pin	HP9	3001257
11	2	Cover Latch Bracket	3006965	3006968
12	2	Locking Handle	9240063	3000268
13	7	Capscrew	FCS038016100	FCS038016100SS
14	9	Nut, Elastic Stop	FNE038016044	FNE038016044SS
15	6	Washer, Flat	FWF038100007	FWF038100007SS
16	1	Bearing	9240086	9240086
17	1	Felt Gasket	9240087	9240087
18	2	Latch, Cover Mounting	924F0104	3000594
19	4	Capscrew	FCS03816100	FCS03816100SS
20	2	Capscrew	FCS03816125	FCS03816125SS

ITEM	QTY.	DESCRIPTION	CARBON	STAINLESS
21	6	Nut, Serrated Flange	92401211	3001255
22	2	Capscrew	FSC038016350	3001249
23	2	Nut, Elastic Stop	FNE063011069	3001247
24	1	Cam Handle Passenger Side	3003860	3003857
25	1	Cam Handle Driver Side	3003859	3003856
26	4	Washer, Lock	FLW038069009	FLW038069009SS
27	1	Plate, Motor Mount	3000458	3001357
28	1	Plate, Gearbox Mount	3000457	3001366
29	5/4	Capscrew	FCS050013100	FCS050013100SS
30	3	Washer, Lock	FWL050088013	FWL050088013SS
31	3	Nut, Serrated Flange	92401212	3001253
32	3/2	Carriage Bolt (direct drive/5:1 gearbox)	FCB050013100	FCB050013100SS
33	1	Gearbox	9240089	9240089
34	1	Hydraulic Motor	HM034	HM034
35	1	Hydraulic Motor	HM074	HM074

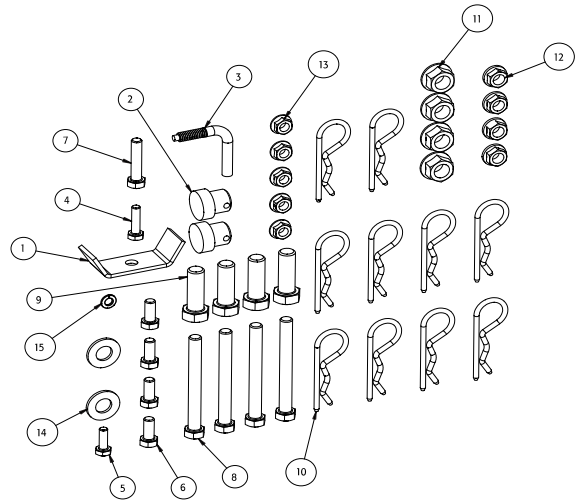
### Hardware Box Parts List



#### Bill of Materials

ITEM	QTY.	DESCRIPTION	CARBON	STAINLESS
1	1	Spinner Frame Assy.	3001471	3006679
2	1	Spinner Shield	924F0015	3006659
3	1	Spinner disk Assy.	3001472	3001472
4	2	Linkage Rods, Welded	924F0012	924F0012
5	1	Hinge Rod	924F0018	3006646
6	1	Spinner Lug	924F0013	3006645
7	1	Bar	924F0014	924F0014
8	2	Bar, Hanger Brace	924F0101	924F0101
9	2	Detach Mounting Plate	924F0102	924F0102
10	2	Hinge Pin	924F0103	924F0103
11	1	Hardware Bag	924F011	3006672

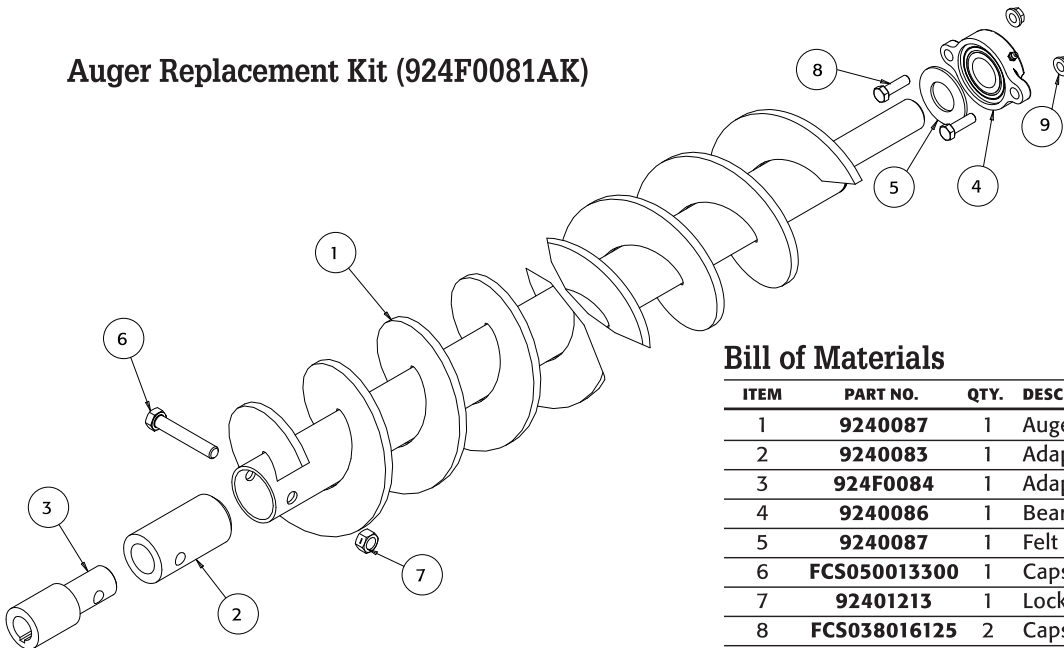
### Hardware Bag Contents



#### Bill of Materials

ITEM	QTY.	DESCRIPTION	CARBON	STAINLESS
1	1	Hose Clamp	924F0118	924F0118
2	2	Pin Brace	9240021B	924F021B
3	1	Spinner Lock	92401113	92401113
4	1	Capscrew	FCS025020100	FCS025020100SS
5	1	Capscrew	FCS025020075	FCS025020075
6	4	Capscrew	9240113	3006721
7	1	Capscrew	FCS031018150	FCS031018150SS
8	4	Capscrew	FCS038016350	3001249
9	4	Capscrew	FCS050013150	3006723
10	10	Hair Pin Cotter	HP12	HP12
11	4	Flange Hex Nut	92401212	3006720
12	4	Flange Hex Nut	92401211	3001255
13	5	Flange Hex Nut	92401112	3006719
14	2	Flat Washer	FWF050138014	FWF050138014
15	1	Lock Washer	FWL025050007	FWL025050006SS
-	1	Never Seez Compound	9240119	9240119

### Auger Replacement Kit (924F0081AK)



#### Bill of Materials

ITEM	PART NO.	QTY.	DESCRIPTION
1	9240087	1	Auger
2	9240083	1	Adaptor Sleeve
3	924F0084	1	Adaptor Shaft
4	9240086	1	Bearing
5	9240087	1	Felt Gasket
6	FCS050013300	1	Capscrew
7	92401213	1	Locknut, Reversible Hex
8	FCS038016125	2	Capscrew
9	92401211	2	Nut, Serrated Flange