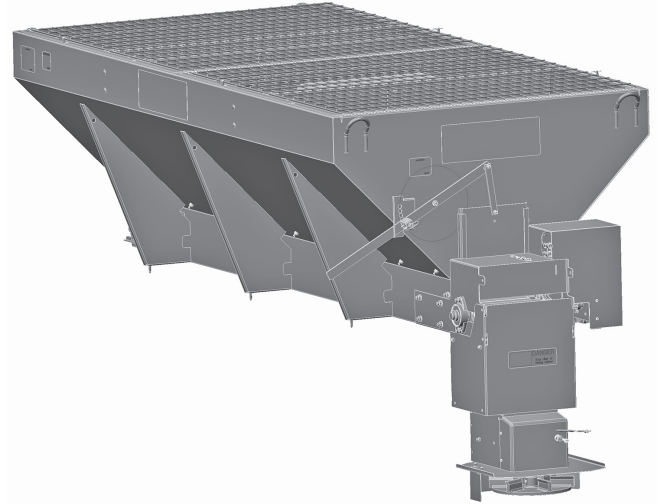


# Installation Manual

## Self-Contained Hopper Spreaders 1400465SSE & 1400465SSH Stainless Steel Models

### Table of Contents

Warranty Information.....	1
General Information .....	1-2
Safety Precautions .....	2
Installation Instructions .....	2-6
Operation Instructions .....	5 & 6
Spreader Maintenance .....	5 & 6
Drawings.....	7-12



### Spreader Models and Specifications

MODEL #	POWER	HOPPER LENGTH	OVERALL LENGTH	OVERALL WIDTH	EMPTY WEIGHT	CAPACITY
1400465SSE	Electric	118"	132"	58"	1,466 lbs.	3.0 yds.
1400465SSH	Hydraulic	118"	132"	58"	1,466 lbs.	3.0 yds.

### SPREADER WARRANTY INFORMATION

This warranty replaces all previous warranties and no employee of this company is authorized to extend additional warranties, or agreements, or implications not explicitly covered herein.

Buyers Products Company warrants all parts of the product to be free from defects in material and workmanship for a period of one (1) year, excluding the gasoline engine, from the date of installation. Parts must be properly installed and used under normal conditions. Normal wear is excluded.

Any part which has been altered, including modifications, misuse, accident, or lack of maintenance will not be considered under this warranty.

The sole responsibility of Buyers Products Company under this warranty is limited to repairing or replacing any part(s) which are returned, prepaid, 30 days after such defect is discovered, and returned part(s) are found to be defective by Buyers Products Company.

Authorization from Buyers Products Company must be obtained before returning any part. The following information must accompany defective parts returned to Buyers Products Company: RMA#, spreader model, serial number, date installed, and distributor from whom purchased.

Buyers Products Company shall not be liable for damage arising out of failure of any unit to operate properly, or failure, or delay in work, or for any consequential damages. No charges for transportation or labor performed on any part will be allowed under this warranty.

The gasoline engine is solely warranted through engine's manufacturer. All engine related warranty claims are to be processed through the engine's manufacturer. This information is explained in the engine owner's manual.

### General Information

#### 1. Recommended Vehicle Requirements:

This spreader is to be used on trucks with dump bodies or flat bed trucks with a Gross Vehicle Weight Rated chassis of 15,000 lbs. or greater.

### CAUTION

**Do not overload vehicle beyond the vehicle's Gross Vehicle Weight Rating (GVWR) or Gross Axle Weight Ratings (GAWR). Check the vehicle's load rating certification sticker for maximum vehicle capacity.**

#### 2. Average Material Weights:

MATERIAL	WEIGHT (POUNDS PER CUBIC YARD)
#1 Rock Salt	950
#2 Rock Salt	1,215
Coarse Sand - Dry	2,565
Coarse Sand - Wet	3,240

*Note: To calculate the total spreader weight (including ice control material); add the empty spreader weight plus the ice control material and spreader accessories.*

### 3. Recommended Fastener Torques:

Maintain all fastener torques as shown in the following table. Failure to do so may cause injury to persons.

	SAE GRADE 2 FT-LBS	SAE GRADE 5 FT-LBS
1/4-20	6	9
5/16-18	11	18
3/8-18	19	31
3/8-24	24	46
7/16-14	30	50
1/2-13	45	75
9/16-12	66	110
5/8-11	93	150

### Safety Precautions

#### **WARNING**

**Observe the following Safety Precautions before, during and after operating this spreader. By following these precautions and common sense, possible injury to persons and potential damage to this machine may be avoided.**

1. Read this entire Owner's Manual before operating this spreader.
2. Read all safety decals on the spreader before operating the spreader.
3. Check to make sure all safety guards are securely mounted into place before operating this spreader.
4. Make sure the motor cover is securely fastened to the spreader before operating the spreader.
5. Verify that all personnel are clear of the spreader spray area before starting or operating this spreader.
6. Keep all loose clothing, hair, jewelry and limbs clear of the spreader before starting or operating this spreader.
7. Do not over-load your vehicle beyond payload limits. If there are any questions, contact the vehicle manufacturer.
8. Do not adjust, clean, oil or unclog material jams without first turning off the spreader.
9. Do not climb on or in the spreader during operation. Do not ride on the spreader while the vehicle is in motion.
10. Make sure the spreader is securely fastened to the vehicle in accordance with this manual.
11. Do not operate a spreader that is in need of maintenance or repairs.
12. Always disconnect the wire harness before removing or replacing any electrical components.

### Installation Instructions

#### 1. Mounting the Spreader onto the Vehicle:

- A. Remove the tailgate from the vehicle.
- B. Lift the spreader by lifting loops on side of hopper.

#### **WARNING**

**The lifting device must be adequately rated to lift a payload equal to or greater than the spreader weight. See page 1 for spreader weights. Empty spreader before lifting.**

C. Elevate the spreader off the vehicle with lumber. Place lumber under the side gussets of the spreader. This will help with removal of excess material that accumulates under the spreader.

D. Center the spreader on the vehicle with the end of the gear mount 14" to the rear of the nearest vertical obstruction (bumper, trailer hitch, etc). Attach chute to spreader, check for interference between the vehicle and the Spinner/Chute Assembly.

E. Bolt the spreader to the vehicle frame through the lengths of lumber using the holes located in each of the four (4) side gussets. Use 1/2" SAE Grade 5 hardware as required by vehicle application.

F. In addition secure the spreader to the vehicle by attaching the four (4) tie-down eyes located at each corner of the spreader to the vehicle's factory installed anchor points using suitable tie-down devices.

- The spreader must be securely fastened to the frame of the vehicle.
- Verify with the vehicle's manufacturer that the factory installed anchor points are designed for tie-down of such load.
- Periodically check that the spreader mounting hardware is securely tightened, retighten if necessary.

**2. Control Box and Vehicle Wiring Harness Installation**  
*Make sure you have connected the proper wire color.  
 This is wire ground electrical system! No connections to  
 truck's frame or body allowed!*

**⚠️ WARNING**

**WARNING! Do not drill holes into fuel tanks, fuel lines, through electrical wiring, etc. that may be damaged by drilling. To insure good performance of your spreader, check the condition of truck's electrical system. Using digital voltmeter, check alternator and battery voltage. With engine running and head lights and heater fan ON good voltage reading should fall between 13.0 and 15.3 volts. If voltage reading falls out of this range, check and adjust your electric system.**

**NOTE: Always disconnect battery before attempting to install electrical components on your vehicle.**

**A.** Mount the controller in a convenient location in the truck cab. It is recommended not to mount the controller directly in front of heat vents. Allow ample air space around controller.

**⚠️ CAUTION**

**DO NOT MOUNT CONTROLLER IN THE WAY OF AIR BAG DEPLOYMENT!**

**B.** Route both wire harnesses into truck cab through firewall (it maybe necessary to drill holes). Insulate hole to avoid water leaks.

**C.** Insure no wires are nicked or damaged during installation.

**D.** Connect the 4-pin connector on the wire harness to the control box 4-pin connector.

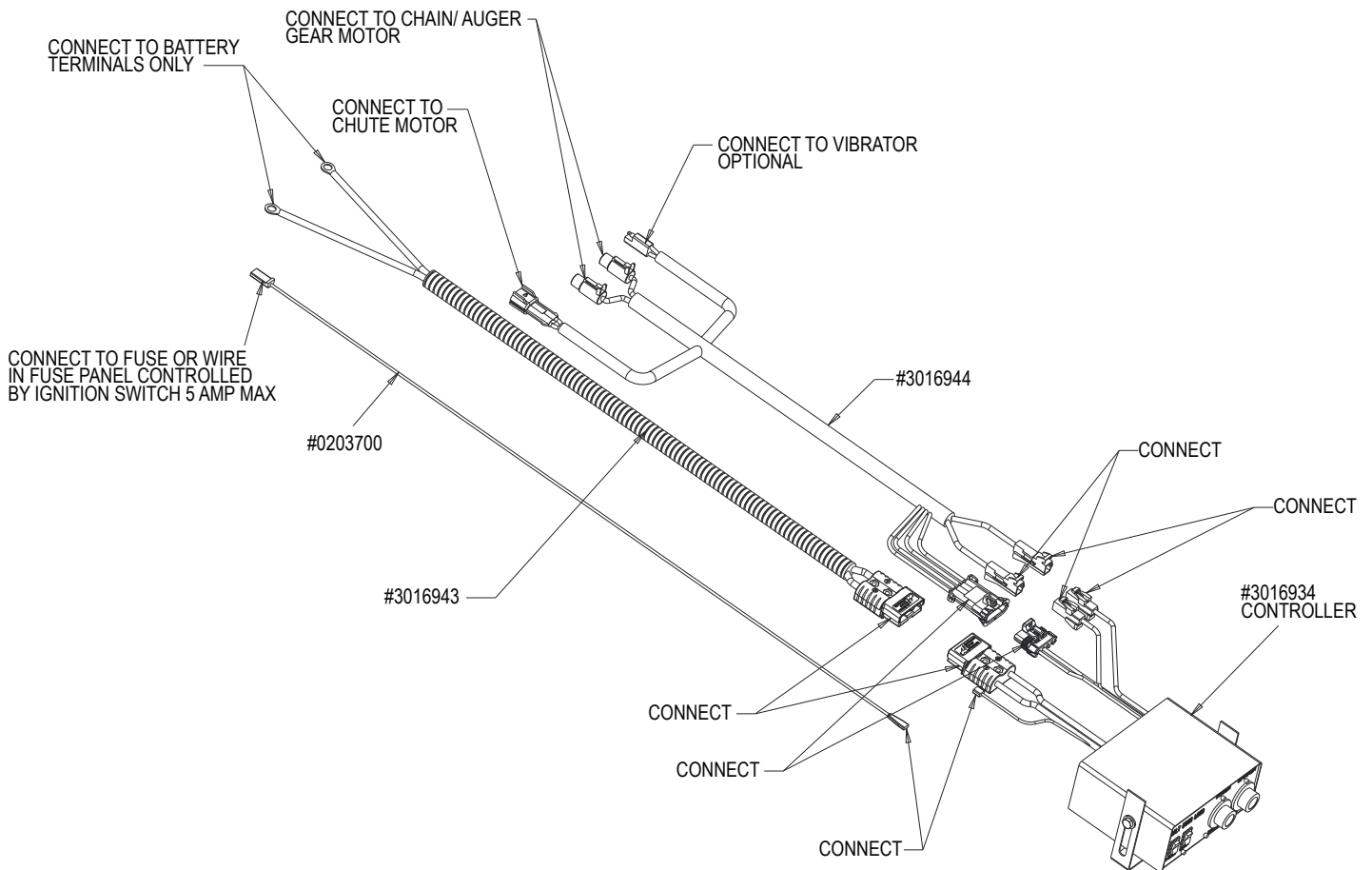
**E.** Connect the 2-pin connector on the power cable to the .. control box mating connector.

**F.** Connect wire harness single connectors to control box connectors.

**G.** Connect fuse connector to the fuse terminal or ignition switch (5 AMP max).

**H.** Lay out a path for the power cable to the battery, use quick ties to secure power cable.

**DO NOT CONNECT TO BATTERY AT THIS TIME!**



**I.** Lay out path for wire harness to the rear of the vehicle. It is recommended to stay clear of the exhaust system. Excess heat can damage the wire harnesses. Use quick ties to secure harness to underbody.

**J.** Connect the wire harness to the motor. Make sure wire colors on wire harness match colors on the motor.

**K.** Thoroughly clean battery terminals. Make sure battery terminals have no tarnish or corrosion. **DO NOT CONNECT WIRE HARNESS TO DAMAGED OR CORRODED TERMINALS! IT MAY RESULT IN OVERHEATING, LOST POWER AND POTENTIAL CONTROLLER DAMAGE!**

**L.** Connect the power cable directly to the battery.

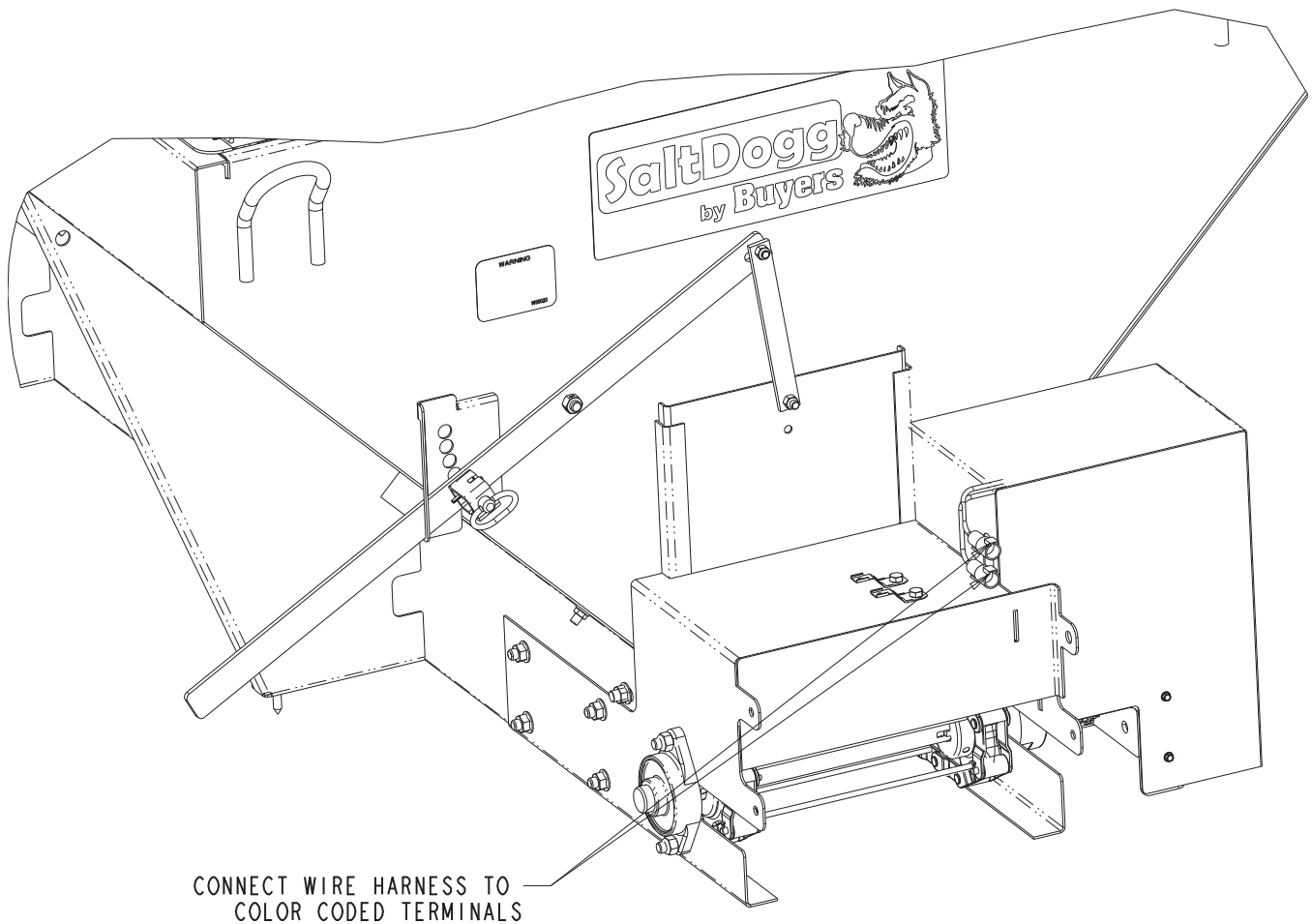
**M.** Insure all functions of the controller are working properly.

**N.** Observe chain moving in proper direction. If direction is wrong reverse wires between Motor and Wire Harness.

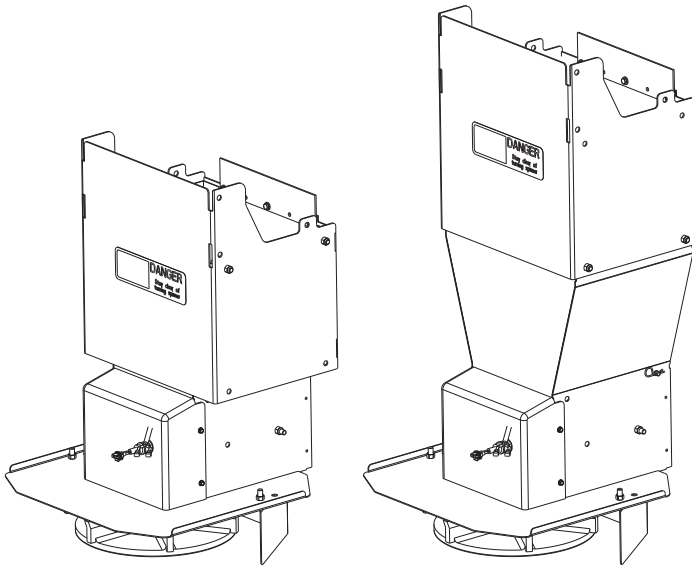
**O.** Optional spot light (5 AMP max) can be installed on spreader. Remove cap from single white wire. Connect light to this wire and trucks frame.

**! IMPORTANT**

**IMPORTANT** Make sure all wires securely attached to vehicle or spreader. Use wire ties and/or wire clamps to attach wires. All excess wires must be rolled into bungles and attached to vehicle or spreader.



### 3. Spinner/Chute Assembly Operation



- A.** Attach chute to hopper assembly by inserting bars into holes in chute and motor mount. Then secure chute by installing hairpins. Chute heights can be adjusted by attaching lower chute weldment to the upper one using upper or lower set of holes.
- B.** The spread pattern and the amount of material dispensed is dependant on the following factors:
1. Gear Motor RPM
  2. Feed gate position
  3. Shield position
  4. Spinner Motor RPM

#### CAUTION

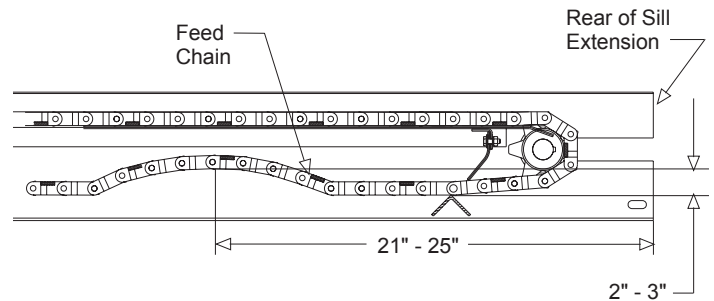
**Always follow the following precautions so as not to cause damage to the spreader.**

#### 4. Precautions

- A.** If the feed chain does not move because of dense material or a material jam, remove all material from the hopper and free the chain.
- B.** If the material in the hopper freezes, move the spreader into a warm area to thaw.
- C.** To prevent the feed chain from freezing, do not store material in the spreader.
- D.** The gearbox is designed to only accept torque from the electrical motor. Therefore, **DO NOT ATTEMPT TO FREE THE FEED CHAIN BY USING A PIPE OR SIMILAR TOOL TO MOVE OR DISLodge THE CHAIN.** If the feed chain is moved, the gears within the gearbox will strip. This action will void all warranties.

### Spreader Maintenance

1. Use dielectric grease on all electrical connections before an electrical connection is made or after a connector is disconnected.
2. Grease the following:
  - Idler shaft bearings (2)
  - Bearing (1)
3. Check the Feed Chain tension periodically. To check the tension, measure in 21"-25" from the rear edge of the gear box mount. Push up on the chain with your hand. The conveyor chain should lift up 2"-3" off the conveyor chain guide or cross angles.



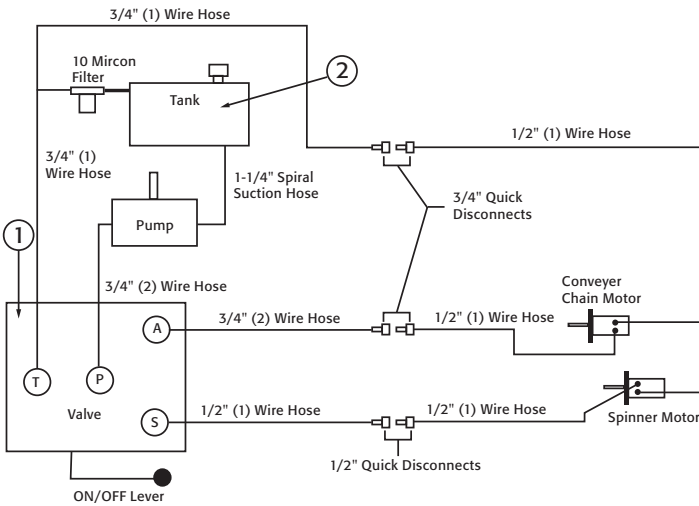
4. Empty the spreader of all ice control material when not in use to prevent a frozen feed chain.
5. Wash out the spreader when it is not in use. At the end of the season wash out the spreader to remove all ice control materials. Thoroughly dry all metal surfaces. Paint and oil all bare metal surfaces and chains to protect from rust. Properly store the spreader for the next season.

### Installation Instructions - Hydraulic Models

1. During assembly take precautions to keep all hydraulic components as clean as possible.
  2. Allow enough hose length to prevent kinking and stretching of the hoses and to permit raising the dump body. Support long hoses with wire ties or clamps.
  3. Protect hoses from wear caused by sliding and/or vibration.
  4. For proper rotation of conveyor chain and spinner motors, hoses may be reversed. The spinner rotates clockwise when looking down from the top.
- Note: Use of a pipe joint sealant compatible with hydraulic oil is recommended for all screw fittings.**
5. Use swivel type hose ends to connect hoses to flow valve. Damage to valve body may occur if the fittings in flow valve are over tightened.
  6. A 10 micron return line filter is recommended to protect the pump, valve, and motors from wear causing contamination.

## Spreader Operation - Hydraulic Models

### Hydraulic Plumbing Diagram



Valve Key	
T	Tank/Reservoir
P	Pump/Pressure In
A	Auger (Conveyor Chain)
S	Spinner

- (1) Single braid wire hose  
(2) Double braid wire hose

### Main Components

ITEM	PART NO.	QTY.	DESCRIPTION
1	HV715	1	Dual Flow Regulator Valve
2	-	1	Reservoir 25 Gal Min
N/S	HVC1	1	Dual Flow Regulator Console

### Initial Priming and Inspecting of the System

#### CAUTION

- Be sure everyone is standing clear of spreader.
- Be alert for anything that may require shutting down the system.
- Before working in or around spreader equipment, be sure all hydraulic controls are moved to off position.

1. Use high grade non-foaming hydraulic oil to fill reservoir about 3/4 full.
2. Position valve on/off lever to off.
3. Move auger (conveyor chain) and spinner knobs on the valve to the open position.
4. Engage PTO and circulate hydraulic oil for several minutes to warm up.
5. Move valve on/off lever to on.
6. Inspect hydraulic system for leaks.
7. Check conveyor chain and spinner to see if they are working properly and rotating the correct direction. To reverse rotation, switch the hydraulic lines at the motor.
8. Refill reservoir to 3/4 full.
9. Hydraulic system should now be ready for use.

### Spreader Start-up

1. Check feed gate opening and baffle positions for desired material flow and spread pattern. See chute section.
2. Shut off spinner and auger (conveyor chain) knobs and position the on/off lever to on. Engage the PTO and allow the hydraulic system to warm up.
3. After the system is warm turn the spinner and auger (conveyor chain) knobs to the desired settings.
4. Changing the conveyor chain and spinner speeds as well as adjusting the baffle positions will produce various spread patterns.

### Miscellaneous

1. Valve setting changes may be made with truck in motion.
2. By moving on/off lever to the off position, spinner and conveyor chain may be stopped at the same time without changing their valve settings.

#### CAUTION

Before working in or around spreader, the valve control lever must be in the off position. Disengage PTO and shut off engine.

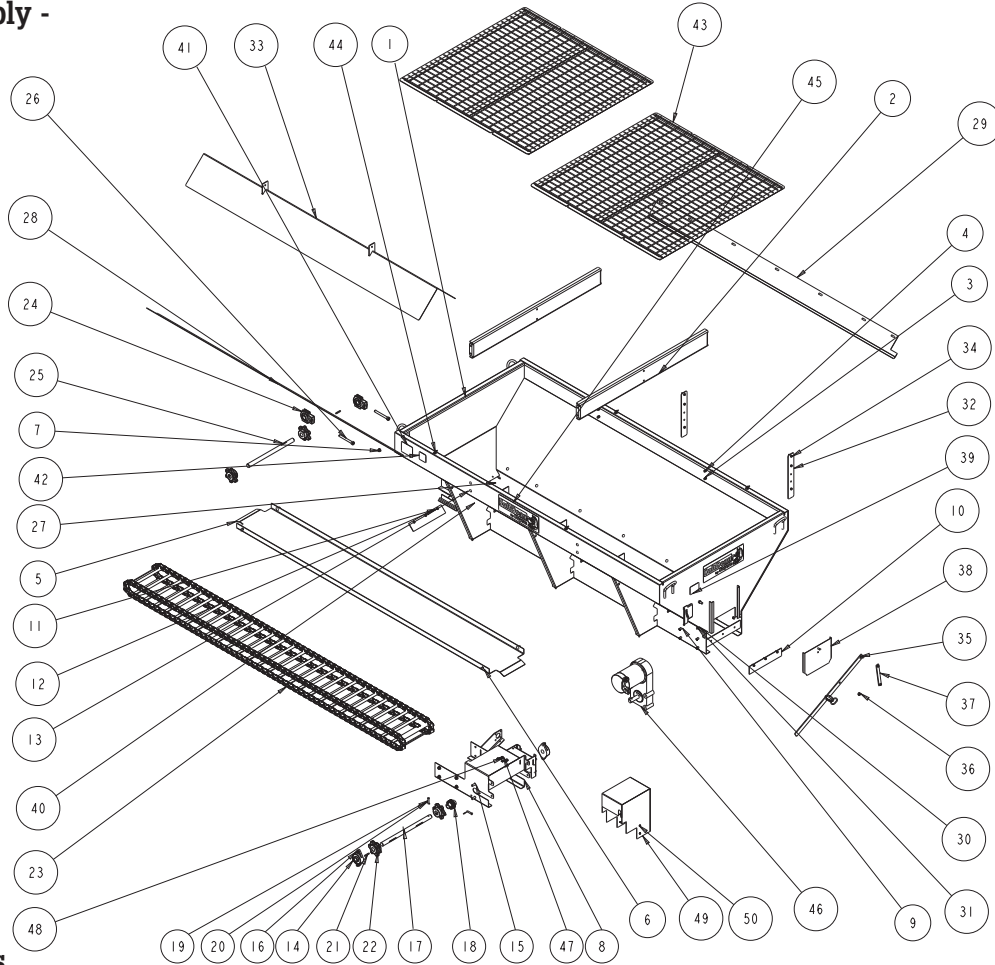
#### CAUTION

Position the valve on/off control lever in the off position when the spreader is not in use or is removed. In the event the valve on/off control lever is left in the on position, a heat problem may occur as the pump continues to pump oil to the hydraulic valve. This could cause a hose to burst spraying hot oil.

### Spreader Maintenance - Hydraulic Models

1. Warm up hydraulic system before using.
2. Keep the reservoir 3/4 full with high grade non-foaming hydraulic oil.
3. Use precautions to keep contaminants from getting in reservoir when filling.
4. Quick connects are a prime source of contamination.
  - Clean quick connects before connecting or disconnecting them.
  - Protect quick connects from contaminants at all times.
5. Lubricate all bearings with suitable type grease on a regular basis. More frequent lubrication is recommended during periods of heavy use.
6. Maintain the proper lubrication level in all gearboxes with SAE 90 gear lubricant.
7. When not in use, keep the spreader empty to prevent freezing of material in the hopper in extremely cold weather.
8. To extend the life of your spreader:
  - Hose down and clean after each use.
  - Repaint and/or oil after each season.

## Hopper Assembly - Electric Model

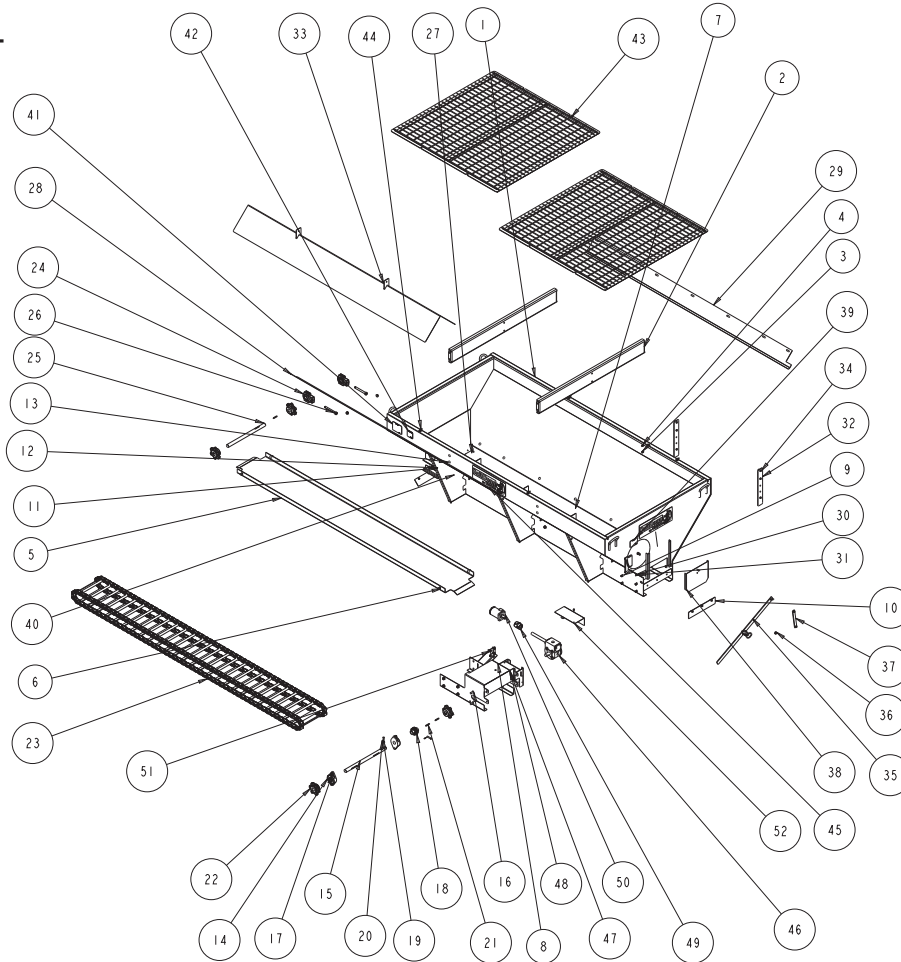


### Bill of Materials

ITEM	PART NO.	QTY.	DESCRIPTION
1	3025240	1	HOPPER WELDMENT 10 FT 3.0 CU YD SST
2	3025241	2	CROSS MEMBER, HOPPER
3	-	8	BOLT, 3/8-16 X 1 CARRIAGE SST
4	-	16	NUT, NYLOCK 3/8-16 X 7/16 SST
5	3009197	1	PAN, 10' CONVEYOR FLOOR
6	-	4	BOLT, CARRIAGE 1/2-13 X 1 SST
7	-	12	NUT, HX FLNG-1/2-13 SST
8	3025245	1	MOTOR DECK, WELDMENT
9	-	8	SCREW, BTN HD SOC CAP 1/2-13x1 SST
10	3008872	2	WIPER BELT, HOPPER
11	-	6	WASHER, FLAT 1/4 SAE SS
12	-	6	SCREW, CAP 1/4-20 X 3/4 SST
13	-	6	NUT, NYLON INSERT 1/4-20 SST
14	3008294	2	BEARING, FLANGED
15	-	4	SCREW, HEX HD 1/2-13x1.5 GR5 SS
16	-	4	NUT, NYLOCK 1/2-13 SS
17	3008316	1	SHAFT, SPROCKET DRIVE END
18	3008289	1	COUPLING, DRIVE SHAFT/ GEARBOX
19	1410803	2	PIN, CLEVIS, 3/8 X 2, 1038 ST, YZN
20	-	2	COTTER PIN, 1/8 X 1, ZINC
21	KS402	3	KEY, 1/4 X 1/4 X 2
22	3008300	4	SPROCKET, D667H CHAIN
23	3009114	1	CHAIN, 10 FT. D661H CONVEYOR
24	3008290	2	BEARING, HEAVY DUTY TAKE-UP
25	3008317	1	SHAFT, IDLER SPROCKET

ITEM	PART NO.	QTY.	DESCRIPTION
26	141050WSS	2	BOLT, WELDED TAKE UP, SCH IDLER
27	-	2	NUT, HH 5/8-11 X 17/32 HIGH SST
28	3009199	1	SHIELD, 10' TROUGH
29	3024546	1	SHIELD, 10' TROUGH DR SIDE
30	-	14	BOLT, 3/8-16 X 1 CARRIAGE SHORT NECK SST
31	-	14	NUT, HEX FLNG-3/8-16 SST
32	3025252	2	BAR, INVERTED VEE
33	3025254	1	INVERTED VEE, WELDMENT
34	-	12	SCREW, HHC 3/8-16 X 1 304 SST
35	3011832	1	LEVER, WELDED, FEED GATE
36	-	1	NUT, HEX REVERSABLE LOCK 1/2-13 SST
37	3008339	1	BAR, FEED GATE DOOR
38	3008338	1	DOOR, SALT GATE
39	1499020	1	LABEL, WARNING 1
40	1499035	2	LABEL, WARNING 3
41	1499030	1	LABEL, CAUTION 1 (PAYLOAD)
42	1499045	1	LABEL, WARNING 4
43	3025436	2	TOP SCREEN HALF
44	HP9	4	PIN, HAIR COTTER, .09 ZINC
45	3011132	3	DECAL, SALTDogg, BLK/WHT ON CLR 18X6.3125
46	3024575	1	GEAR MOTOR CONVEYOR 12 VDC
47	3017121	2	BRACKET, RECEPTACLE SZ8 DEUTSCH
48	-	2	SCREW, HHC-3/8-16 X 3/4 SST
49	3026364	1	HOOD, GEAR MOTOR
50	-	4	SCREW H12-14X.74 SS SELF DRIL HEX WASHER HD

## Hopper Assembly - Hydraulic Model



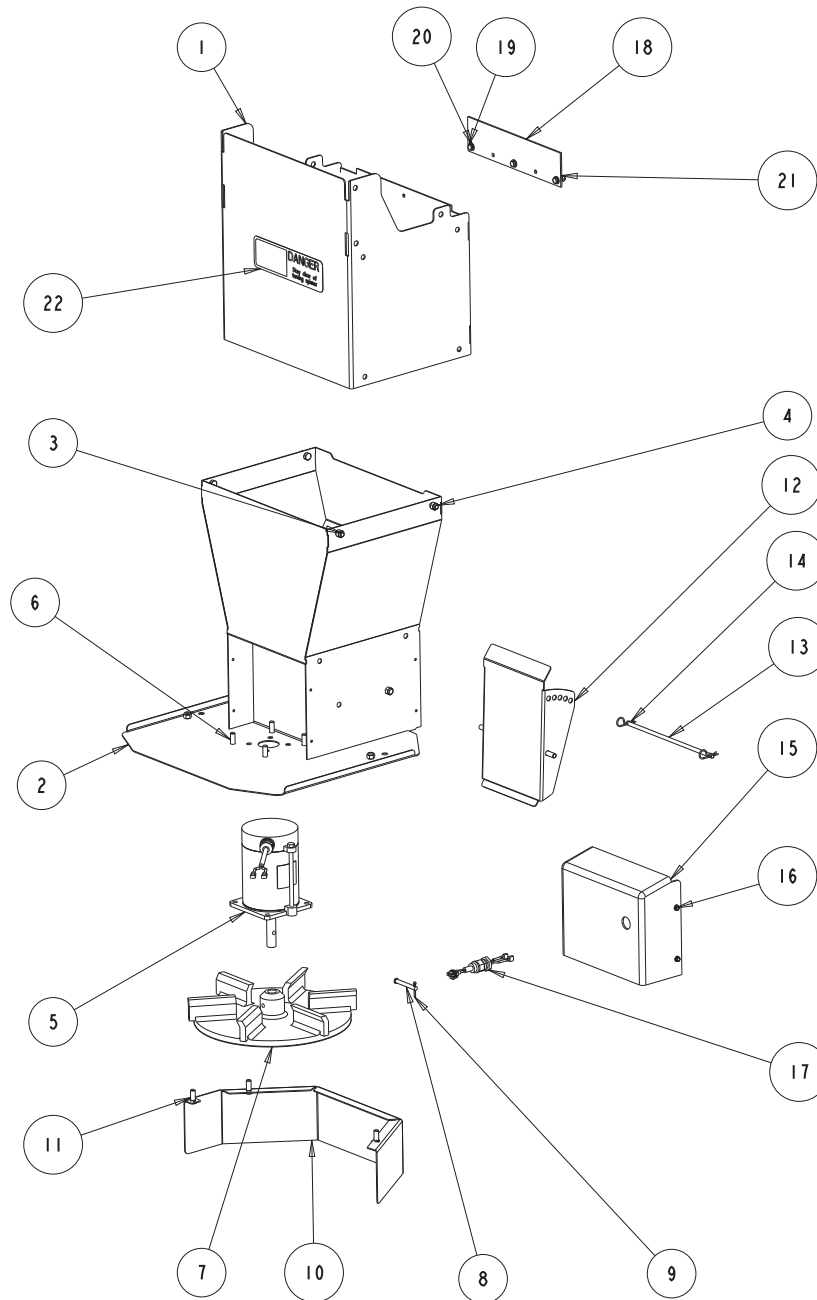
### Bill of Materials

ITEM	PART NO.	QTY.	DESCRIPTION
1	3025240	1	HOPPER WELDMENT 10 FT 3.0 CU YD SST
2	3025241	2	CROSS MEMBER, HOPPER
3	-	8	BOLT, 3/8-16 X 1 CARRIAGE SST
4	-	16	NUT, NYLOCK 3/8-16 X 7/16 SST
5	3009197	1	PAN, 10' CONVEYOR ELOOR
6	-	4	BOLT, CARRIAGE 1/2-13 X 1 SST
7	3001523	12	NUT, HX ELNG-1/2-13 SST
8	3025245	1	MOTOR DECK, WELDMENT
9	-	8	SCREW, BTN HD SOC CAP 1/M3x 1 SST
10	3008872	2	WIPER BELT, HOPPER
11	-	6	WASHER, FLAT 1/4 SAE SS
12	-	8	SCREW, CAP 1/4-20 X 3/4 SST
13	-	7	NUT, NYLON INSERT 1/4-20 SST
14	3008294	2	BEARING, FLANGED
15	3008316	1	SHALT, SPROCKET DRIVE END
16	-	4	SCREW, HEX HD 1/2-13x1.5 GR5 SS
17	-	4	NUT, NYLOCK 1/2-13 SS
18	3008289	1	COUPLING, DRIVE SHALT/ GEARBOX
19	1410803	2	PIN, CLEVIS, 3/8 X 2, 1038 ST, YZN
20	-	2	COTTER PIN, 1/8 X 1, /INC
21	KS402	3	KEY, 1/4 X 1/4 X 2
22	3008300	4	SPROCKET, D66YH CHAIN
23	3009114	1	CHAIN, 10 ET. D667H CONVEYOR
24	3008290	2	BEARING, HEAVY DUTY TAKE-UP
25	3008317	1	SHAFT, IDLER SPROCKET
26	-	2	BOLT, WELDED TAKE UP, SCH IDLER

ITEM	PART NO.	QTY.	DESCRIPTION
27	-	2	NUT, HH 5/8-11 X 17/32 HIGH SST
28	3009199	1	SHIELD, 10' TROUGH
29	3024546	1	SHIELD, 10' TROUGH DR SIDE
30	-	14	BOLT, 3/8-16 X 1 CARRIAGE SHORT NECK SST
31	-	14	NUT, HEX ELNG-3/8-16 SST
32	3025252	2	BAR, INVERTED VEE
33	3025254	1	INVERTED VEE, WELDMENT
34	-	12	SCREW, HHC 3/8-16 X 1 304 SST
35	3011832	1	LEVER, WELDED, EEED GATE
36	-	1	NUT, HEX REVERSIBLE LOCK 1/2-13 SST
37	3008339	1	BAR, EEED GATE DOOR
38	3008338	1	DOOR, SALT GATE
39	1499020	1	LABEL, WARNING 1
40	1499035	2	LABEL, WARNING 3
41	1499030	1	LABEL, CAUTION 1 (PAYLOAD)
42	1499045	1	LABEL, WARNING 4
43	3025436	2	TOP SCREEN HALE
44	HP9	4	PIN, HAIR COTTER, .09 ZINC
45	3011132	3	DECAL, SALT DOGG, BLK/WHT ON CLR 18X6.3125
46	1401200	1	GEARBOX
47	-	4	WASHER, LOCK - 1/2 SPLIT SST
48	-	4	SCREW, HHC-1/2-13 X 1 SST
49	3009215	1	COUPLING, SHALT 1 X 1
50	CM004P	1	MOTOR, HYD 4 BOLT
51	-	4	WASHER, LOCK RHS-3/8 SST
52	3025249	1	COVER, SHAFT



### Chute Assembly - Electric Model

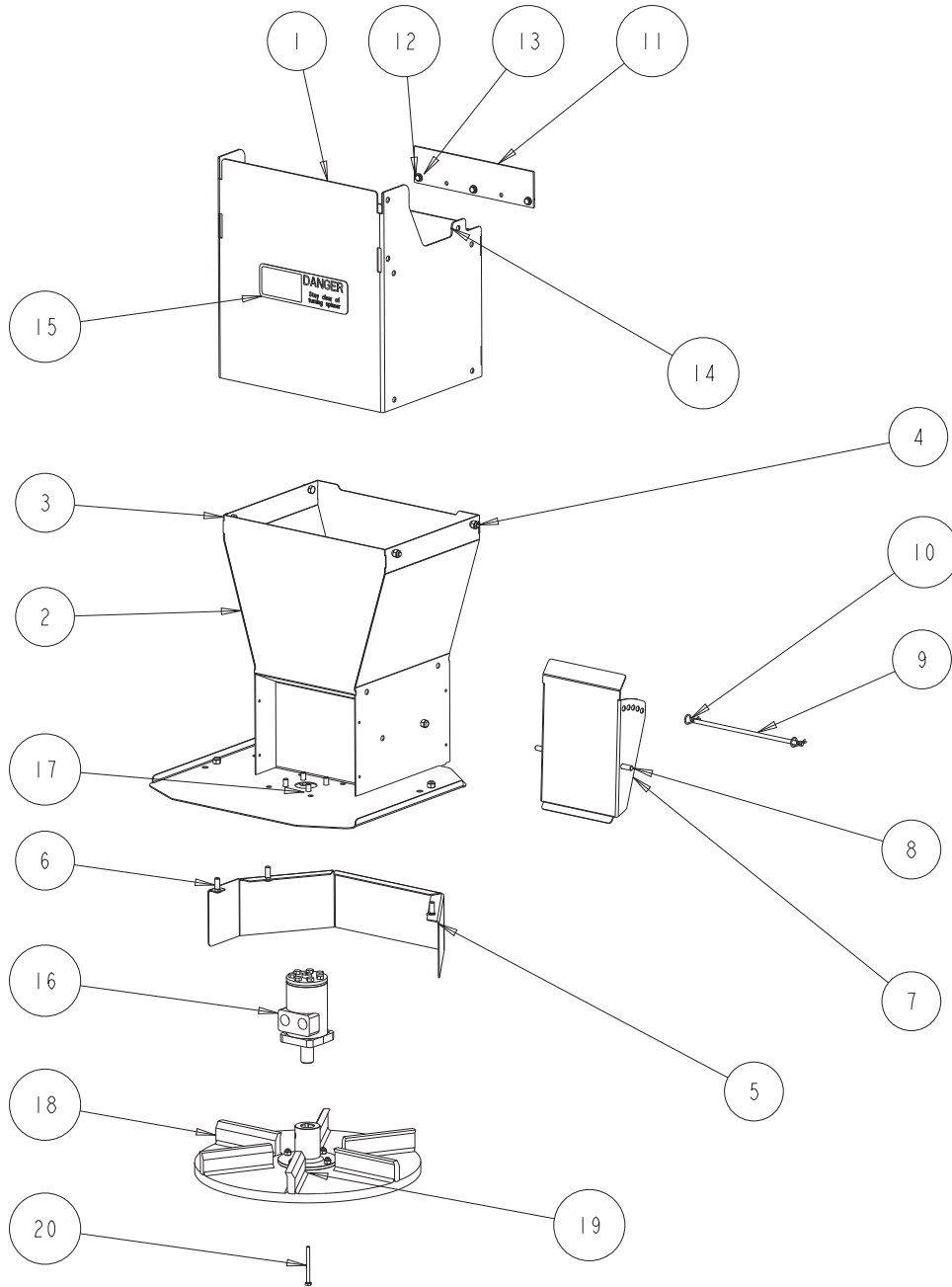


#### Bill of Materials

ITEM	PART NO.	QTY.	DESCRIPTION
1	3025428	1	UPPER CHUTE WELDMENT
2	3025432	1	LOWER CHUTE WELDMENT
3	-	4	SCREW, HHC-3/8-16 X 3/4 SST
4	-	9	NUT, NYLOCK 3/8-16 X 7/16 SST
5	3016309	1	MOTOR 12 VDC, .5 HP SPINNER
6	-	6	SCREW, HHC 3/8-16 X 1 304 SST
7	3012393	1	SPINNER, 14" POLY CW
8	30071 13	1	PIN, CLEVIS, 5/16 X 2-1/2, .141 HOLE ZN
9	-	1	COTTER PIN, 1/8 X 1, ZINC
10	3025430	1	SHIELD, CHUTE
11	-	3	BOLT, 3/8-16 X 1 CARRIAGE SHORT NECK SST
12	3025431	1	BAFFLE

ITEM	PART NO.	QTY.	DESCRIPTION
13	3024581	1	PIN, CHUTE ADJUSTMENT
14	HP9	2	PIN, HAIR COTTER, .09 ZINC
15	3024582	1	MOTOR COVER, CHUTE
16	-	4	SCREW #12-14x,74 SS SELF DRILL HEX WASHER HD
17	3006753	1	WIRE HARNESS, CHUTE
18	1410241	1	WIPER BELT, HOPPER
19	-	3	WASHER, FLAT 1/4 SAE SS
20	-	3	SCREW, CAP 1/4-20 X 3/4 SST
21	-	3	NUT, NYLON INSERT 1/4-20 SST
22	9240131	1	DECAL #1, DANGER STAY CLEAR

### Chute Assembly - Hydraulic Model

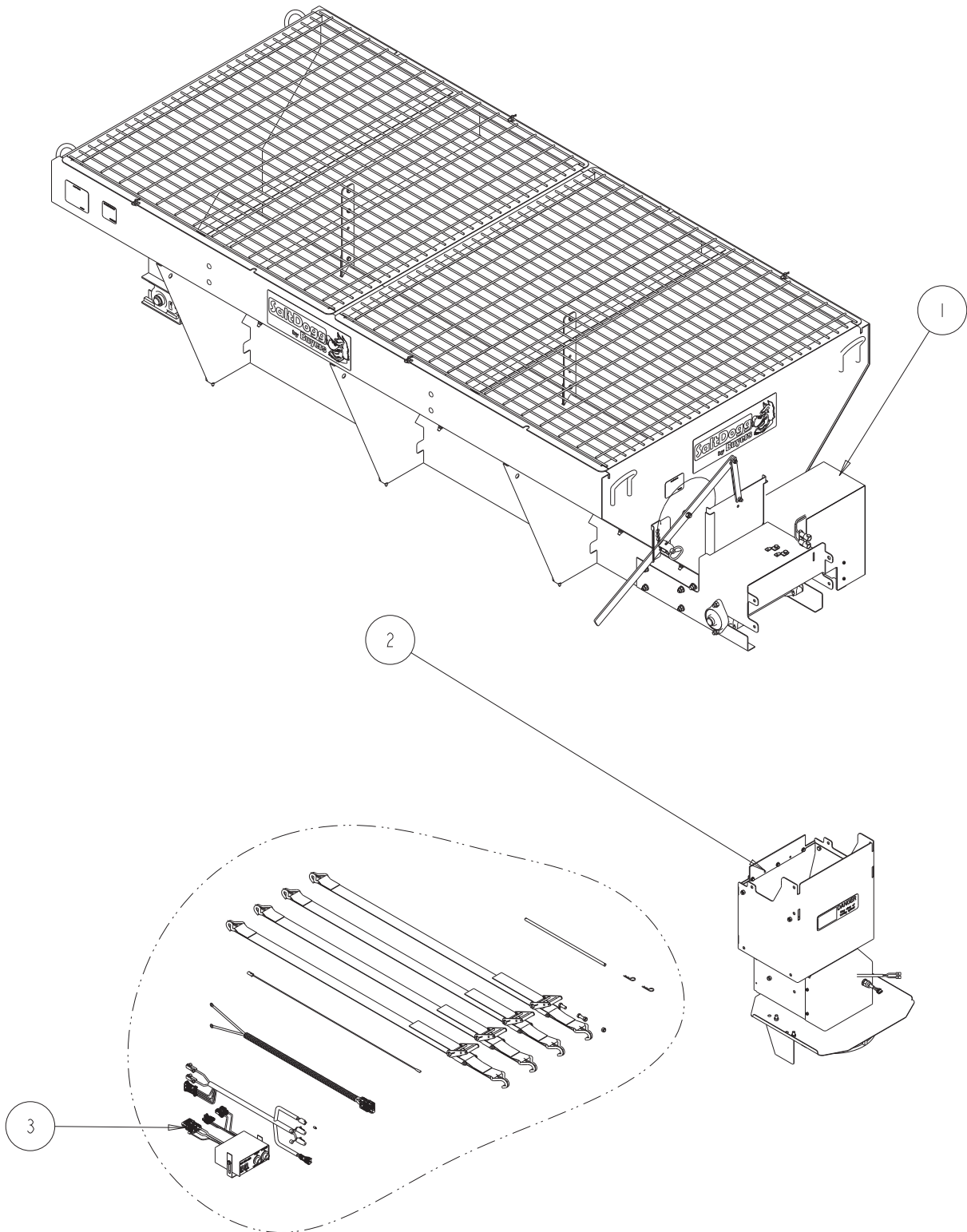


#### Bill of Materials

ITEM	PART NO.	QTY.	DESCRIPTION
1	3025428	1	UPPER CHUTE WELDMENT
2	3025432	1	LOWER CHUTE WELDMENT
3	-	8	SCREW, HHC-3/8- 1 6 X 3/4 SST
4	-	9	NUT, NYLOCK 3/8- 1 6X7/16 SST
5	3025430	1	SHIELD, CHUTE
6	-	3	BOLT, 3/8-16 X 1 CARRIAGE SHORT NECK
7	3025431	1	BAFFLE
8	-	2	SCREW, HHC 3/8- 16 X 1 304 SST
9	3024581	1	PIN, CHUTE ADJUSTMENT
10	HP9	2	PIN, HAIR COTTER, .09 ZINC

ITEM	PART NO.	QTY.	DESCRIPTION
11	1410241	1	WIPER BELT, HOPPER
12	-	3	WASHER, FLAT 1/4 SAE SS
13	-	3	SCREW, CAP 1/4-20 X 3/4 SST
14	-	3	NUT, NYLON INSERT 1/4-20 SST
15	9240131	1	DECAL #1 , DANGER STAY CLEAR
16	CM004P	1	MOTOR, HYD 4 BOLT
17	-	4	WASHER, LOCK RHS-3/8 SST
18	30086 1 1	1	DISC, SPINNER ASSEMBLY
19	-	1	WASHER, 5/16 SAE SST
20	-	1	SCREW HH CAP 1/4-20 X 3.0 SST

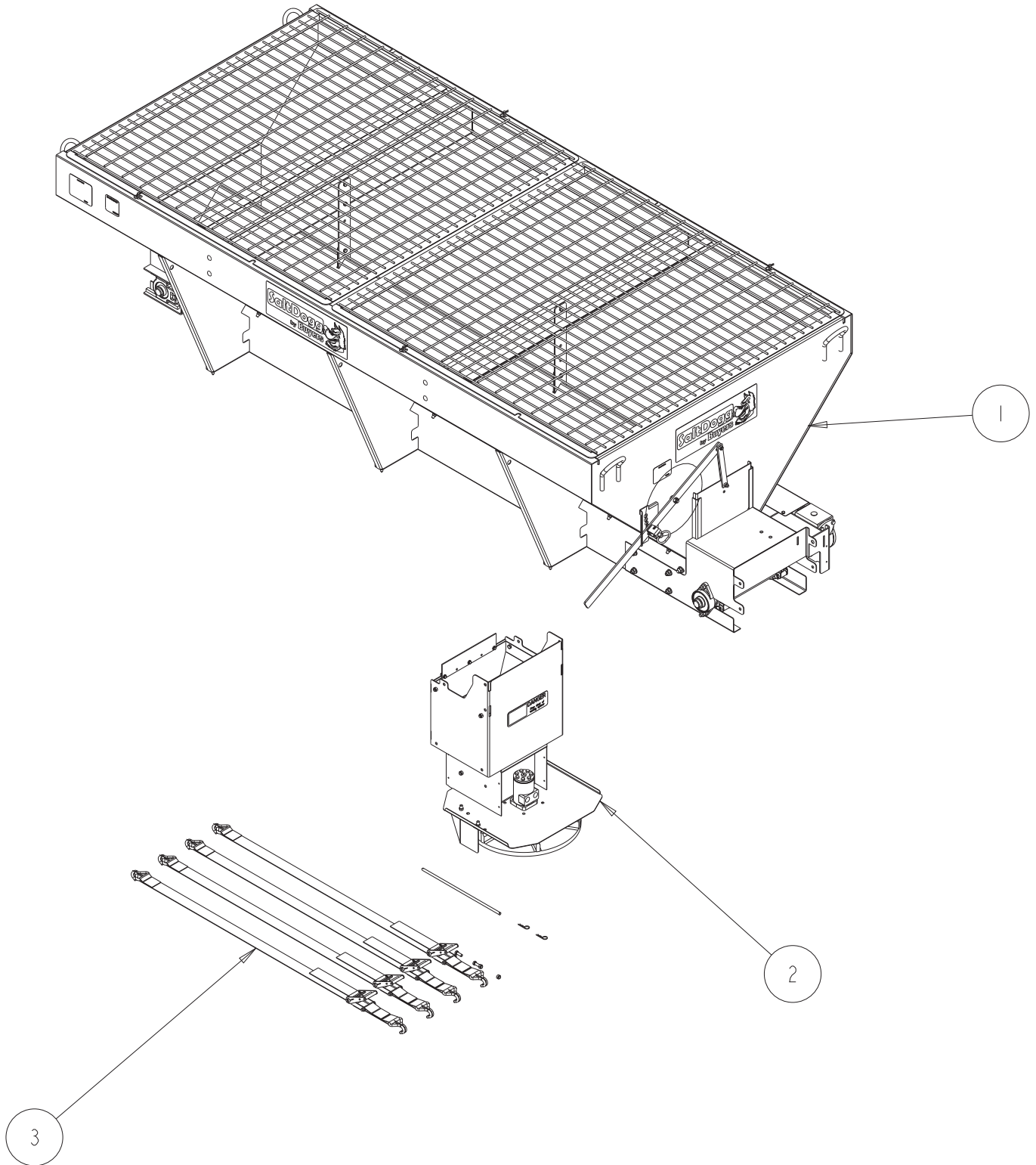
### Spreader Kit - Electric Model



#### Bill of Materials

ITEM	PART NO.	QTY.	DESCRIPTION
1	3024576	1	HOPPER ASM, 3 CU.YD. SST ELECTRIC MOTOR
2	3025440	1	CHUTE ADJUSTABLE ELECTRIC, SST
3	3026058	1	HARDWARE BOX 1400465SSE

## Spreader Kit - Hydraulic Model



### Bill of Materials

ITEM	PART NO.	QTY.	DESCRIPTION
1	3024579	1	HOPPER ASM, 3 CU.YD. SST HYDRAULIC MOTOR
2	3026061	1	CHUTE ADJUSTABLE HYRDAULIC, SST
3	3026062	1	HARDWARE BOX 1400465SSH