

# SNOWDOGG® SNOW PLOWS



# INSTALLATION MANUAL

This manual is for the professional installation of snowdogg HDII/EXII, TEII and VXFII snowplows. Review all instructions prior to installation. Installation related failures are not covered by warranty.

LIFT FRAMES	MOLDBOARDS
HDII/EXII – 16011002	HD75II – 16020522
	HD80II – 16020532
	EX75II – 16020612
	EX80II – 16020622
	EX85II – 16020632
	EX90II – 16020642
TEII - 16012002	TE75II - 16020312
	TE80II - 16020322
	TE90II - 16020342
VXFII – 16013002	VXF85II – 16020724
	VXF95II - 16020734

## Plow Registration

Be sure to register your plow at [www.SnowDogg.com](http://www.SnowDogg.com), where you can also find installation instructions, technical specs, and full parts diagrams.

## Table of Contents

1. Moldboard/Lift Frame Assembly – HDII/EXII .....	3
2. Moldboard/Lift Frame Assembly – TEII .....	4
3. Moldboard/Lift Frame Assembly – VXFII .....	5
4. Upper Lift Frame Assembly .....	6
5. Vehicle Side Installation .....	7
• Check Out	
• Mechanical	
• Electrical	
6. Light Aiming .....	13
7. General Information.....	14

## Warnings

**WARNING**  
Read this manual carefully before operating this snowplow.

**WARNING**  
Always follow the vehicle manufacturers recommendations relating to snowplow installation.

**WARNING**  
When using on a vehicle with air bags, DO NOT tamper with, disable or remove any components related to the operation of the air bags.

**WARNING**  
When using on a vehicle with air bags, DO NOT tamper with, disable or remove any components related to the operation of the air bags. Vehicles equipped with air bags are designed such that the air bags will be activated in a frontal collision equivalent to hitting a solid barrier (such as a wall) at approximately 14 mph or more, or, roughly speaking, a frontal perpendicular collision with a parked car or truck of similar size at approximately 28 mph or more. Careless or high speed driving while plowing snow, which results in vehicle decelerations equivalent to or greater than the air bag deployment threshold described above, could deploy the air bag.

**WARNING**  
Make sure plow is properly attached and secured before moving vehicle.

**WARNING**  
Do not move plow while servicing or place any part of your body between or under plow parts while moving plow.

**WARNING**  
When transporting, position plow so as not to block driver line of sight or plow headlights.

**WARNING**  
DO NOT move the blade or exceed 50 MPH when transporting the plow.

**WARNING**  
DO NOT plow at speeds in over of 14 mph.

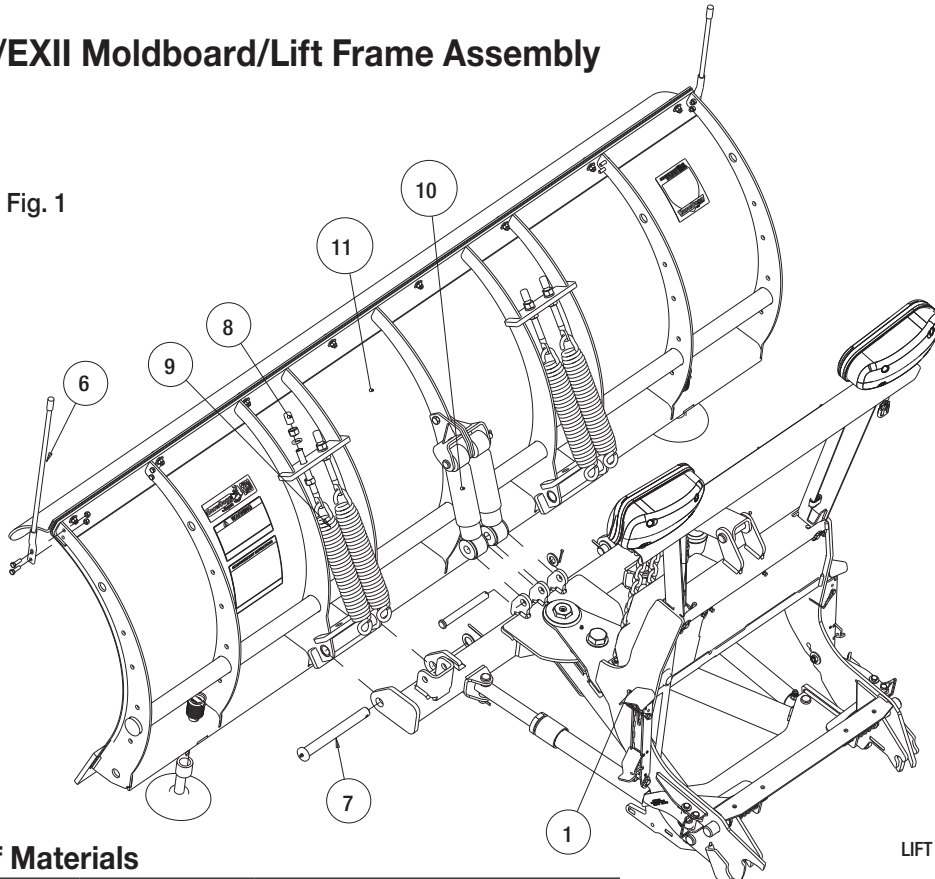
**WARNING**  
Always lower blade and power off controller when vehicle is not in use.

## Plow Assembly

SnowDogg Plows are shipped almost fully assembled to reduce assembly time and simplify installation. The illustrations are representative and may vary from your actual hardware. Please refer to the tables for part numbers involved in installation. Full part diagrams can be found at [www.snowdogg.com](http://www.snowdogg.com).

## HDII/EXII Moldboard/Lift Frame Assembly

Fig. 1



### Bill of Materials

ITEM	QTY.	PART NO.	DESCRIPTION
1	1	16011002	HDII/EXII LIFT FRAME ASSEMBLY
2	1	16111634	Upper Lift Frame
3	1	16160700	Light Kit
3A	1	16160710	LIGHT, DS
3B	1	16160720	Light, DS
4	1	16101106	Lift Frame Hardware Kit
4A	4	-	Carriage Bolt, 1/2-13x1.50
4B	4	-	Washer, 1/2"
4C	4	-	Nut, 1/2-13 Center Lock
5	1	16101108	Shock Mount Kit, Light (x4)
6	1	16122100	BLADE GUIDE KIT (X2)
7	1	16101100	Trip Pin Kit (x2)
8	1	16101210	Trip Spring Mount Kit (x4)
9	2	16101200	Trip Spring
10	1	16101500	Shock Kit
11	1	16020522	HD75II Moldboard w/Deflector
	1	16020532	HD80II Moldboard w/Deflector
	1	16020610	EX75II Moldboard w/Deflector
	1	16020620	EX80II Moldboard w/Deflector
	1	16020630	EX85II Moldboard w/Deflector
	1	16020640	EX90II Moldboard w/Deflector

The moldboard can be propped on 4x4 or the edge of a shipping pallet to get into position for mounting onto the a-frame. The moldboard should be lifted and held in place until secured with a crane using the points shown. The lift frame can be slid forward on the shipping pallet to mate with the moldboard (Fig. 2).

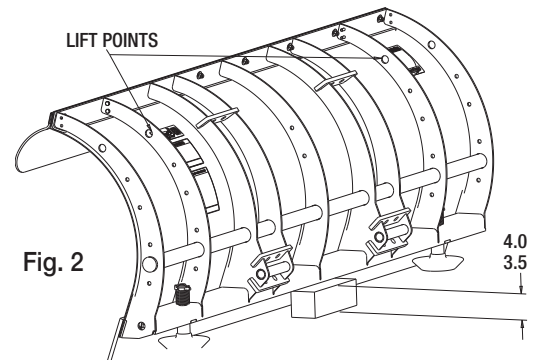
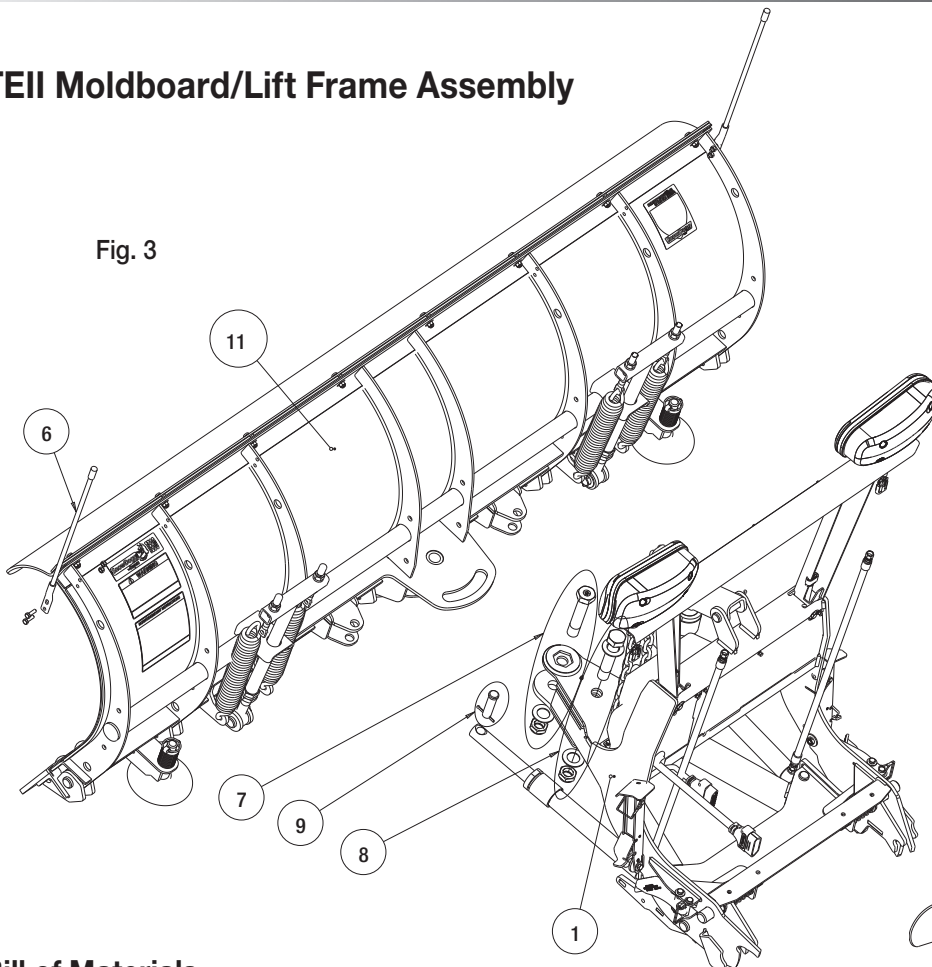


Fig. 2

1. Attach the Moldboard to the Sector using the Trip Pin Kit (7) on both the Driver and Passenger Sides. Do NOT detach the crane as the moldboard is still not secured.
2. Install the Trip Springs (9) and Trip Spring Hardware (8) as shown. Tension the trip springs until there is approximately a .030" gap. It is important that all springs be at the same level of tension.
3. Install the snow deflector by loosening the fasteners on the top strip of the moldboard. The deflector fits between the black retainer strip and the stainless moldboard. Only the OUTER TWO fasteners need to be completely removed.
4. Install the blade guides (6) as shown.
5. The shoes as installed have been adjusted for shipping and may need to be repositioned after the plow is mounted to a vehicle.

## TEII Moldboard/Lift Frame Assembly

Fig. 3



### Bill of Materials

ITEM	QTY.	PART NO.	DESCRIPTION
1	1	16012002	TEII Lift Frame Assembly
2	1	16111634	Upper Lift Frame
3	1	16160700	Light Kit
3A	1	16160710	Light, DS
3B	1	16160720	Light, DS
4	1	16101106	Lift Frame Hardware Kit
4A	4	-	Carriage Bolt, 1/2-13x1.50
4B	4	-	Washer, 1/2"
4C	4	-	Nut, 1/2-13 Center Lock
5	4	16101108	Shock Mount, Light
6	1	16122100	Blade Guide Kit (x2)
7	1	16101120	Pivot Bolt Kit
8	1	16101140	Angle Stop Bolt Kit
9	2	16102142	Clevis Pin Kit, 7/8x3-1/4
11	1	16020312	TE75II Moldboard w/Deflector
	1	16020322	TE80II Moldboard w/Deflector
	1	16020342	TE90II Moldboard w/Deflector

The moldboard can be propped on 4x4 or the edge of a shipping pallet to get into position for mounting onto the a-frame. The moldboard should be lifted and held in place until secured with a crane using the points shown. The lift frame can be slid forward on the shipping pallet to mate with the moldboard (Fig. 4).

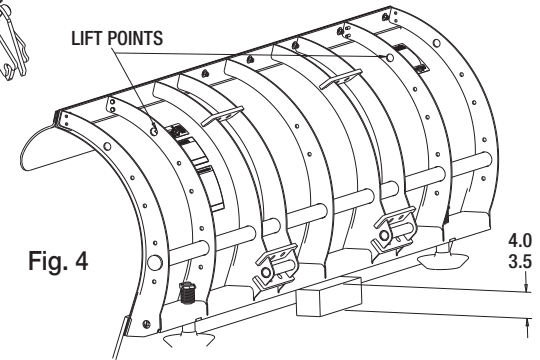


Fig. 4

1. Attach the Moldboard to the A-Frame using the Pivot Bolt kit (7) and Angle Stop Bolt kit (8)
2. Attach both angle cylinders on the LIFT FRAME to the MOLDBOARD as shown using the 7/8" clevis pins and hardware (9). You may have to extend one cylinder to align the holes.
3. The trip spring mechanisms have been pre-installed and tensioned. They may need to be straightened as they may have shifted during shipping and handling.
4. Install the snow deflector by loosening the fasteners on the top strip of the moldboard. The deflector fits between the black retainer strip and the stainless moldboard. Only the OUTER TWO fasteners need to be completely removed.
5. Install the blade guides (6) as shown.
6. The shoes as installed have been adjusted for shipping and may need to be repositioned after the plow is mounted to a vehicle.

## VXFII Moldboard/Lift Frame Assembly

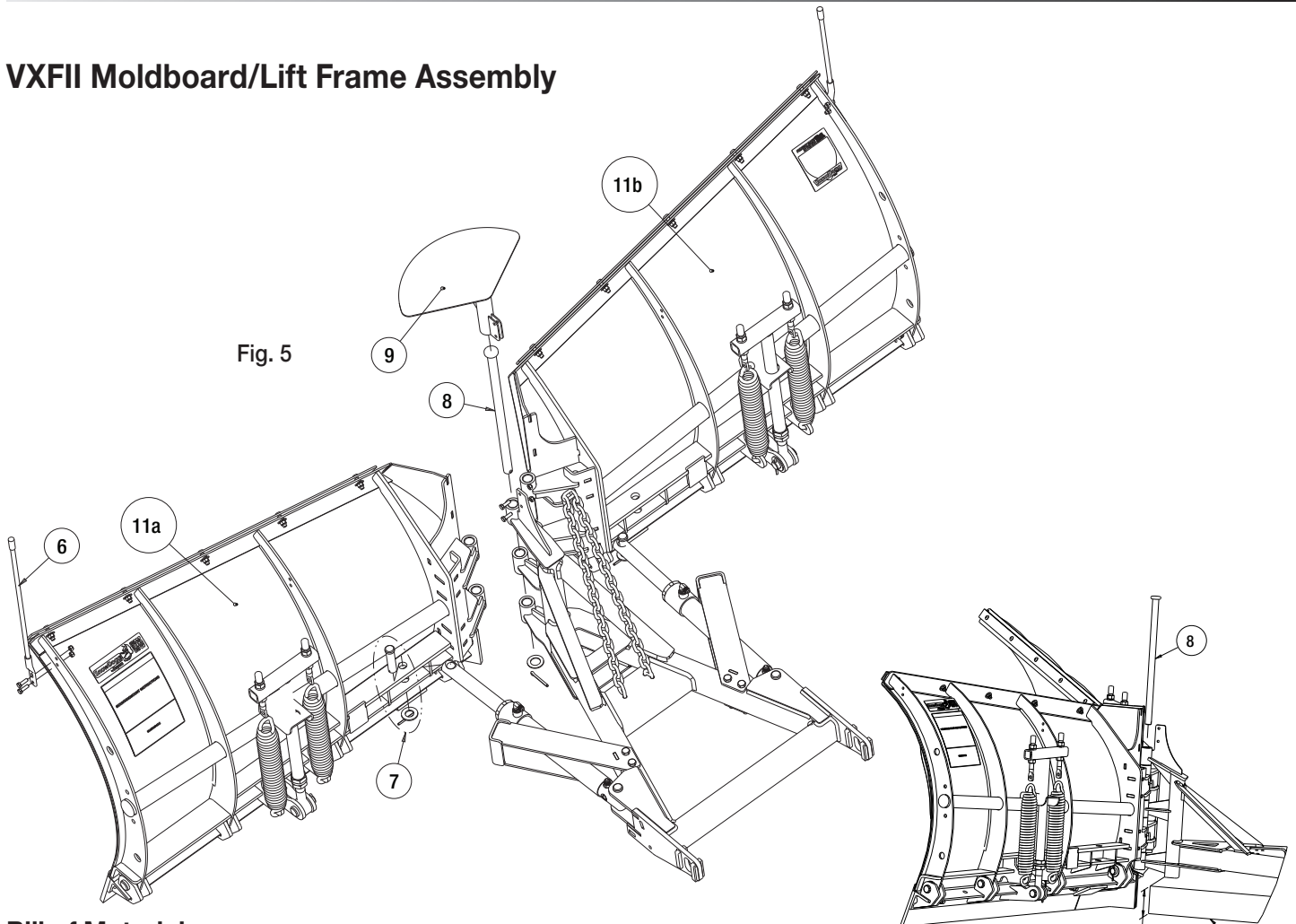


Fig. 5

Fig. 6

### Bill of Materials

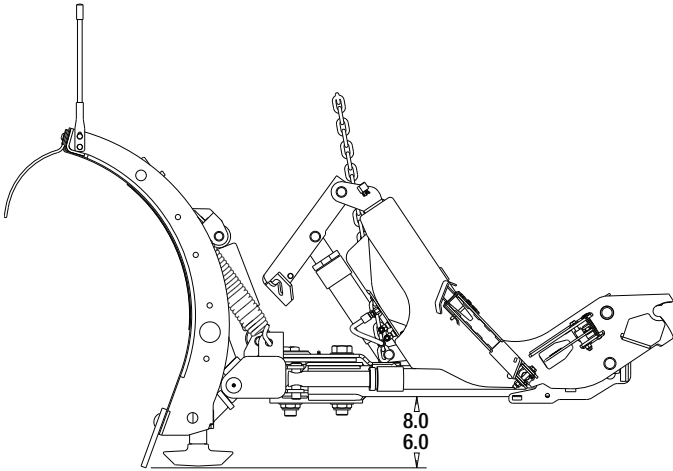
ITEM	QTY.	PART NO.	DESCRIPTION
1	1	16013002	VXFII Lift Frame Assembly
2	1	16111634	Upper Lift Frame
3	1	16160700	Light Kit
3A	1	16160710	Light, DS
3B	1	16160720	Light, DS
4	1	16101106	Lift Frame Hardware Kit
4A	4	-	Carriage Bolt, 1/2-13x1.50
4B	4	-	Washer, 1/2"
4C	4	-	Nut, 1/2-13 Center Lock
5	1	16101108	Shock Mount Kit, Light (x4)
6	1	16122100	Blade Guide Kit (x2)
7	2	16102142	Clevis Pin Kit
8	1	16101170	Hinge Pin Kit
9	1	16113260	Center Deflector Cap
11	1	16020724	VXF85II Moldboard w/Deflectors
	1	16020734	VXF95II Moldboard w/Deflectors

**1.** Assemble the V-plow MOLDBOARD WINGS (11a and 11b) to the LIFT FRAME (1) as shown in Fig 5 using the HINGE PIN KIT (8). They can be done easiest by sliding the lift frame forward on its shipping pallet as shown in FIGURE 4. Tap the hinge pin (8) down adjusting the wing positions as you go to allow for complete assembly.

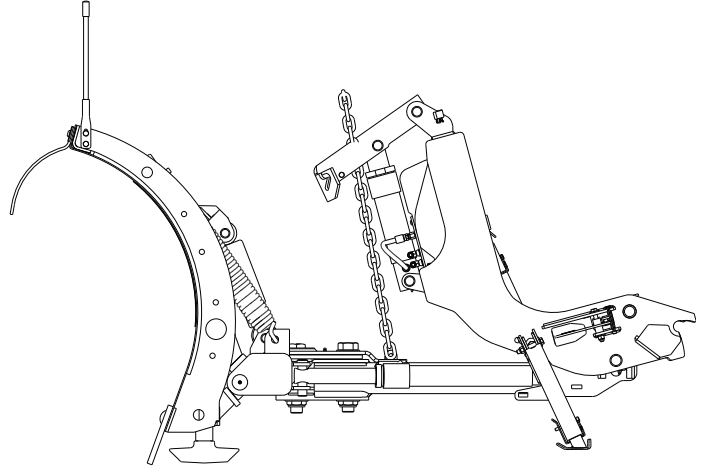
- 2.** Attach both angle cylinders on the LIFT FRAME to the MOLDBOARD as shown using the 7/8" clevis pins and hardware (7). The wings should move freely to allow attachment to the cylinder rods.
- 3.** Install the DEFLECTOR CAP (9) with hardware as shown
- 4.** The trip spring mechanisms have been pre-installed and tensioned. They may need to be straightened as they may have shifted during shipping and handling.
- 5.** Install the snow deflectors by loosening the fasteners on the top strip of each wing moldboard. The deflector fits between the black retainer strip and the stainless moldboard. Only the OUTER TWO fasteners need to be completely removed.
- 6.** Install the blade guides (6) as shown.
- 7.** Grease the 7 hinge pin tubes using a needle style grease gun tip. Do NOT install grease fittings in these holes as they will be damaged by normal plow movement.

## Prop Foot Deployment

For shipping the prop feet are in the transport position and the lift frame/Aframe are in stacking position. For mounting, the prop feet will need to be rotated to the deployed position so that the plow can be mounted. This step requires two people or a winch to rotate the lift frame.



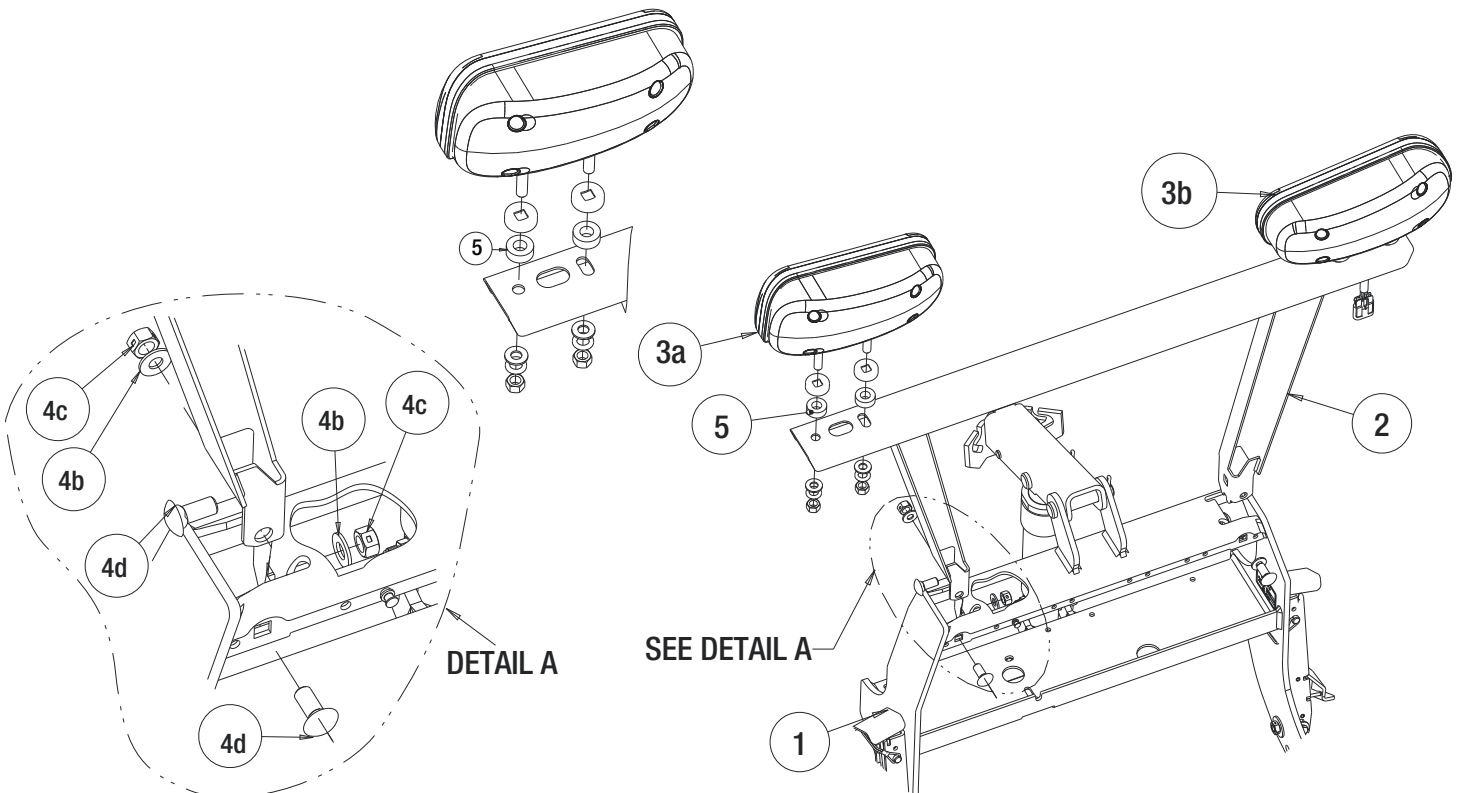
AS SHIPPED WITH MOLDBOARD ASSEMBLED  
PROP FOOT IN TRANSPORT POSITION



AS SHIPPED WITH MOLDBOARD ASSEMBLED  
PROP FOOT DEPLOYED

1. Raise the rear of the a-frame approximately 6"-8" from the floor.
2. Rotate the lift frame away from the a-frame until the top plate is approximately parallel to the ground
3. Pull up on both prop feet and rotate down to the deployed position.
4. Extend both feet to contact the ground.
5. Allow the lift frame to rotate back down until it rests on the top surface of both prop feet.

## Upper Lift Frame Assembly



1. For ease of assembly, remove the two front HPU covers by pulling out the retainer pins and set aside. The retainer pins are captive in the plastic covers – do not remove.
  2. The UPPER LIFT FRAME (2) fits into the LIFT FRAME (1) as shown in Figure 5. Insert it and seat securely.
  3. Install the 3/8” Carriage Bolts (4a) and Nuts/Washers (4b/4c) as shown. The side Carriage Bolt should point towards the center of the lift frame. Loosely assemble but do not tighten.
  4. After ensuring upper and lower lift frame are aligned, tighten fasteners.
  5. The plow light harness as shipped is tucked into the LIFT FRAME hydraulic power unit cavity and should now be routed through the holes to the UPPER LIFT FRAME. The side marked A is DRIVER SIDE. The side marked B is PASSENGER SIDE.
  6. Install the 16160700 light kit to the upper lift frame using the included hardware. The Shock Spacer (5) is in the plow hardware kit and is not included with the lights. **This should be installed under the spherical washer as shown.**
  7. Inspect the lighting connectors to make sure the pins are straight, and carefully connect the lights to the plow light harness. If the connectors are forced together, the pins can be bent.
- Your SnowDogg plow is now fully assembled and ready for mounting onto a properly configured vehicle.**

## Vehicle Side Installation

Plowing is very hard on vehicles. For this reason any vehicle getting a plow mounted to it should be well maintained. Before installing a plow, and on a regular basis after, have the following systems checked and repaired as necessary:

- **Braking** - The additional weight and frequent starts/stops of plowing require your brakes to be working at their best.
- **Cooling** - Transporting the plow can block air flow to your radiator. Keep an eye on your temperature gage and make sure your cooling system is working as designed.
- **Suspension** - Plows really work out a front suspension even if you are within your FAWR limit. Have your suspension components checked regularly.
- **Transmission** - Snowplow operators probably drive in reverse more than any other driving professional. Keep your transmission well maintained, and ALWAYS fully stop before shifting from forward to reverse.
- **Lighting** - Plow lights require the truck lights to be working correctly. Any malfunction on the truck side will result in a malfunction on the plow side and make troubleshooting much more difficult. Always make sure your truck lights are working normally BEFORE you start an install.
- **Alignment** - The vehicle alignment should be checked and corrected AFTER the plow is installed.

## Vehicle Specific Mount Installation

Install the SnowDogg Plow Mount required for your application following all instructions in the mount installation instructions(\*\*). Modification of your vehicles bumper/air dam/fascia may be required and will vary from vehicle to vehicle.

*\*\* The HDIII/EXII/VX2II plows use the same mounts used for the HD/EX/VXF series. However, due to changes in the lift geometry, the pushbar should be mounted with the solid round bar at ~11” from the ground. If this is not possible due to truck interference, the push bar can be mounted lower without impact on plow performance.*

### **WARNING**

**Check all mounting hardware on a regular basis. Fasteners on plow mounts are subjected to a great deal of vibration and WILL loosen over time potentially causing the mount or plow to come loose from your vehicle.**

## Vehicle Side Electrical Installation

The SnowDogg plow has separate harnesses for Hydraulic and Lighting for ease of installation and trouble-shooting. Either harness can be omitted without affecting the functionality of the other system.

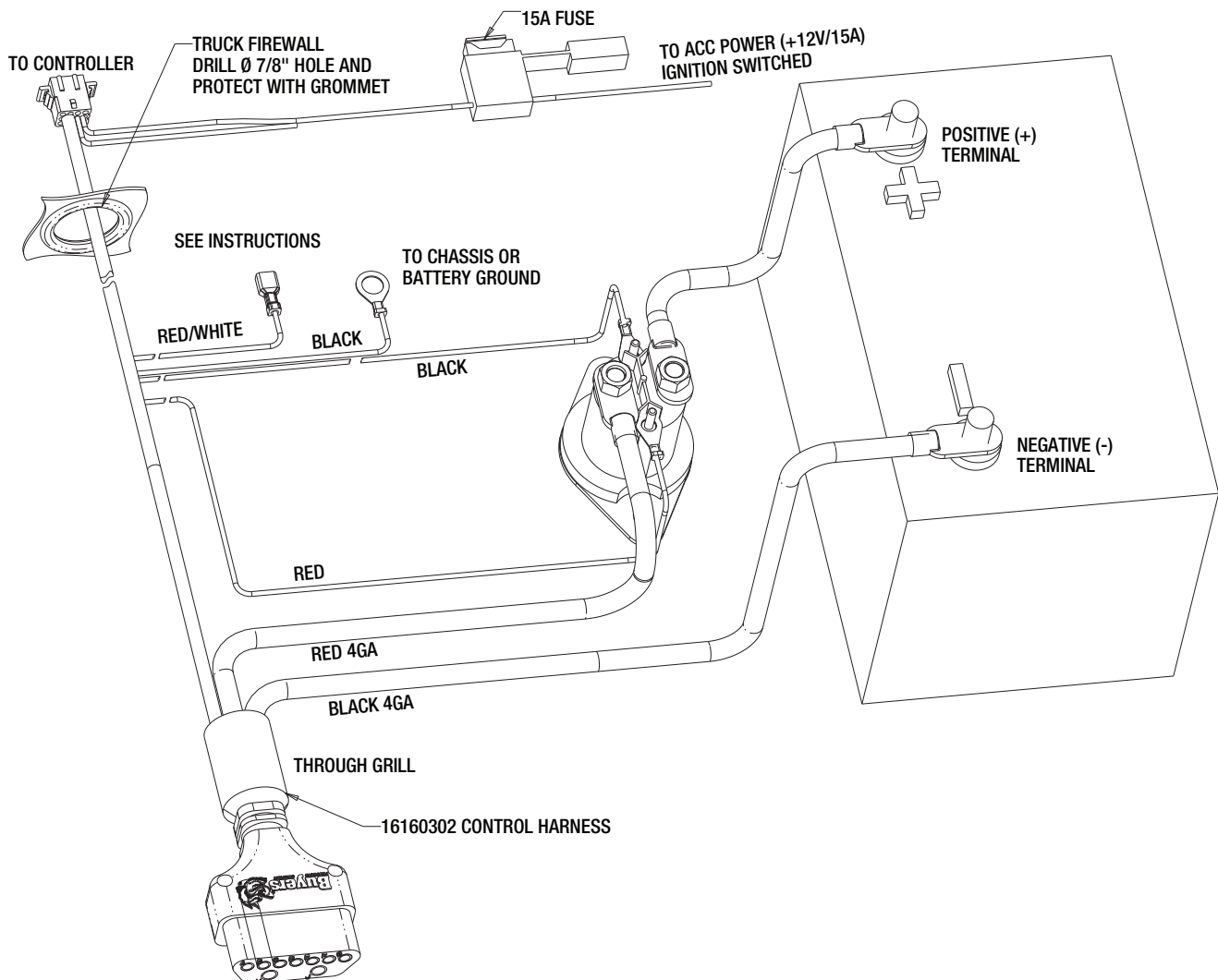
### CAUTION

Keep all connectors greased with dielectric grease on a regular basis to minimize corrosion & potential damage or wear to the pins. It is critical that all electrical connections be tight and secure. Loose connections on the plow circuit can cause overheating, component failure, or intermittent operation.

## Control Harness Installation

The truck side control harness is routed through the grill, by the battery, and through the firewall to the controller. It is preferable when possible to keep the plow connector on the driver side to make mount/dismount easier and faster.

It is important that the 15A fused power lead go to an ignition switched source. Hooking direct to an "always on" source will cause a constant current draw and drain the vehicle battery. If NO an ignition switched source cannot be found, any switch rated at 15A can be used to turn off the power.





- 1.** Route the CONTROL HARNESS through the truck grill, by the battery, and through the firewall. If no available opening exists, a  $\varnothing 7/8$ " hole will need to be drilled through the firewall. Check your truck Owner's Manual for details on where this can safely be done. If the hole is drilled it is critical that a grommet be used to prevent damage to the wire harness.
- 2.** Mount the MOTOR RELAY in a convenient and secure location on the battery side of the vehicle using the included self tapping screws.
- 3.** The small RED and BLACK WIRES from the CONTROL HARNESS are connected to the small terminals of the MOTOR RELAY. It does not matter which wire goes to which terminal.
- 4.** The small BLACK WIRE with the eyelet should be connected to battery ground or a good chassis ground. A "dirty" ground will cause excessive power draw and can cause malfunctions in lights and the controller.
- 5.** The RED/WHITE wire will be connected to the LIGHT HARNESS in the next step.
- 6.** The large (4 gage) BLACK WIRE on the CONTROL HARNESS must be connected directly to the NEGATIVE (-) battery terminal.
- 7.** The large (4 gage) RED WIRE on the CONTROL HARNESS is connected to one of the large terminals on the MOTOR RELAY. It does not matter which terminal is used.
- 8.** The shorter RED BATTERY CABLE is used to connect the other large terminal of the MOTOR RELAY with the POSITIVE (+) terminal on the battery.
- 9.** The CONTROLLER CONNECTOR is routed through the firewall.
- 10.** Connect the handheld controller and locate in a convenient location for the operator using the included mounting hardware if desired.
- 11.** The FUSED ACC POWER WIRE coming off of the controller connector must be connected to an IGNITION SWITCHED 15A/12V power source. Hooking direct to an "always on" source will cause a constant current draw and drain the vehicle battery. If NO an ignition switched source cannot be found, any switch rated at 15A can be used to turn off the power.

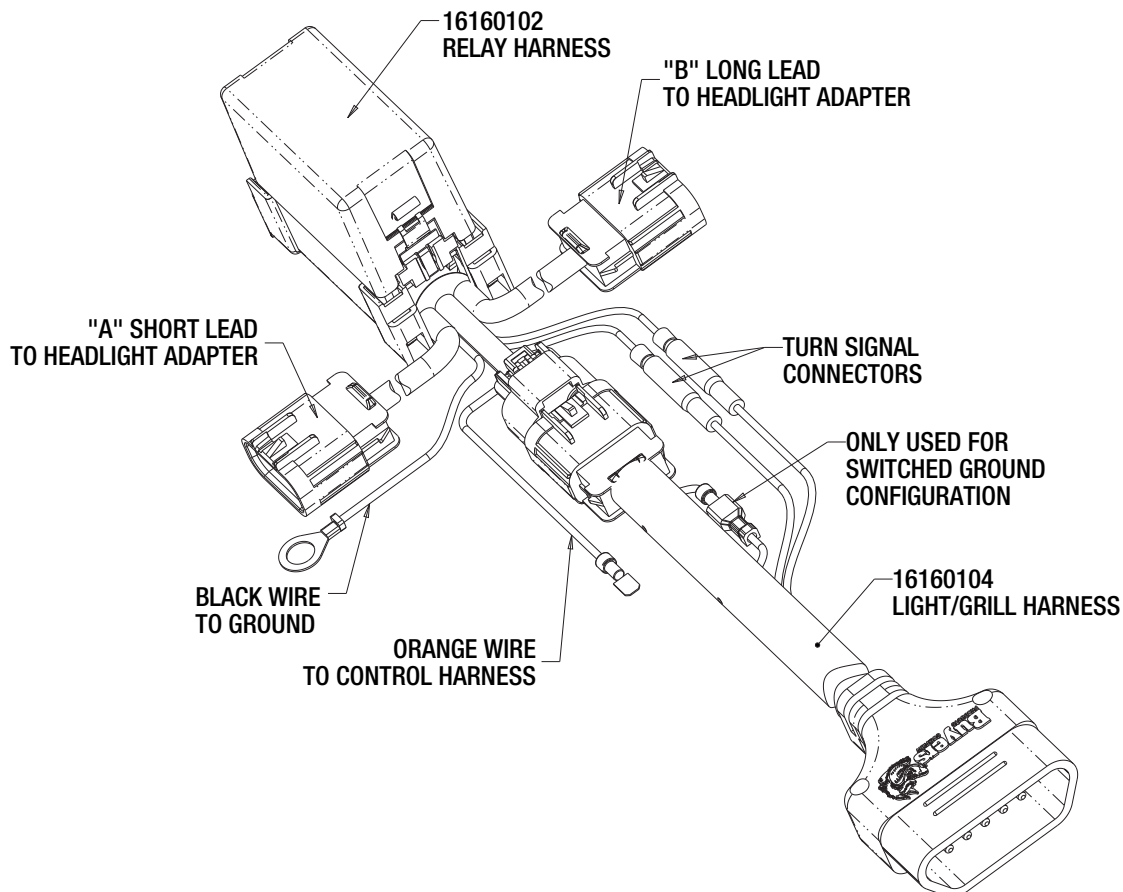
## Light Harness Installation

The light harness is split into a RELAY MODULE and GRILL HARNESS to allow for easy installation. Connectors have been designed in such a way to prevent installation errors – but be sure to read all instructions.

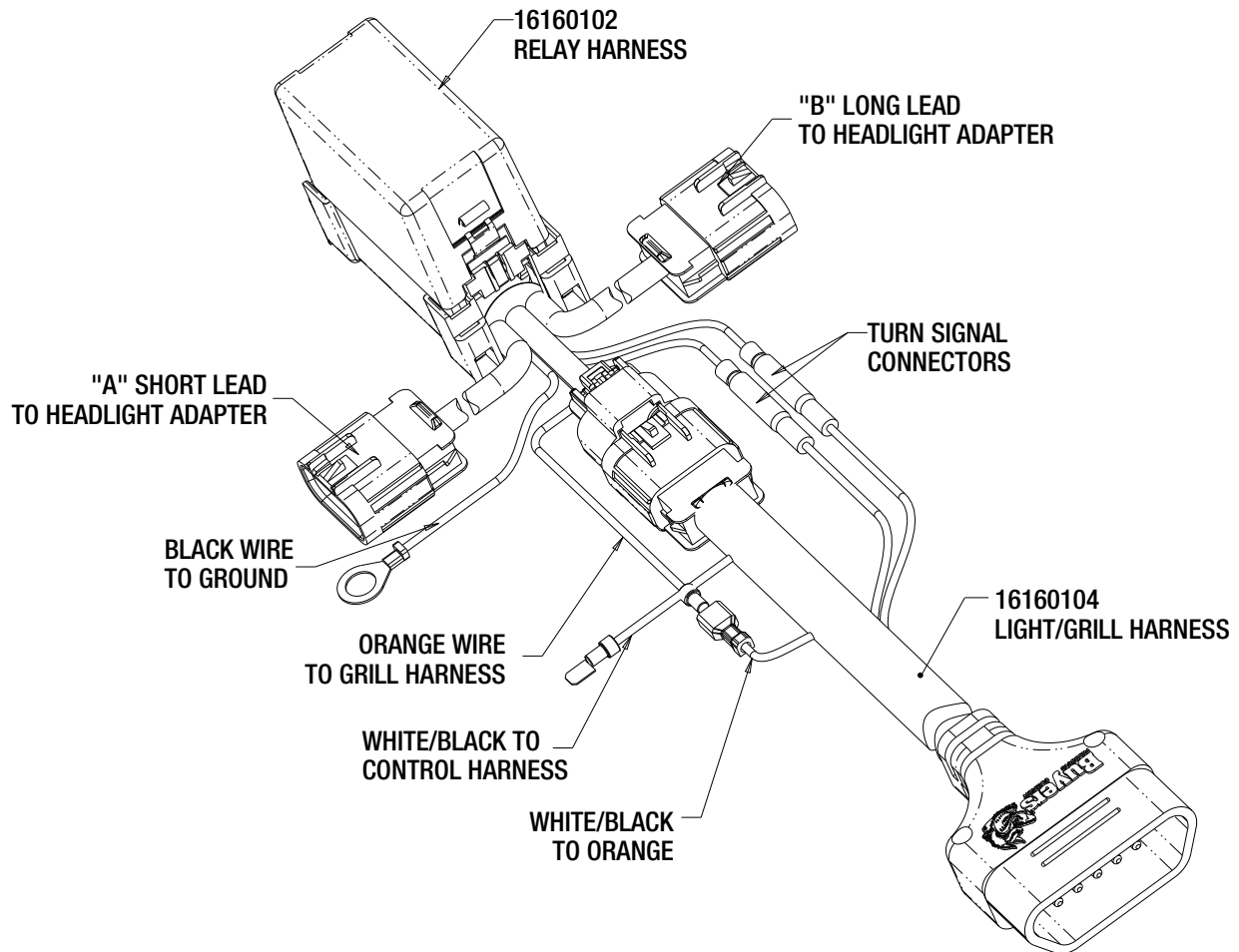
1. Install the appropriate 1607XXXX headlight adapter (and accessories) using the instructions.
2. Route the GRILL HARNESS through the grill (drivers side preferably)
3. Locate the RELAY MODULE close to either the driver or passenger side headlight (whichever is convenient) and connect the 8-pin connector to the GRILL harness.
4. Route and connect your 1607XXXX headlight adapters to the RELAY MODULE.
5. Connect the BLACK wire with ring terminal to Battery or a clean Chassis ground. If a chassis ground is used – it would be best to use the same location used for the CONTROL HARNESS.
6. Connect the purple TURN SIGNAL Signal wires between the harnesses.
  - a. If your "A" headlight adapter is on the DRIVER SIDE
    - i. Connect PURPLE/WHITE to PURPLE/WHITE
    - ii. Connect PURPLE/BLACK to PURPLE/BLACK
  - b. If your "B" headlight adapter is on the DRIVER SIDE
    - i. Connect PURPLE/WHITE to PURPLE/BLACK
    - ii. Connect PURPLE/BLACK to PURPLE/WHITE
  - c. If you find that your plow turn signals are backwards from the truck – swap the wires.
7. The final configuration steps require you to know if your vehicle is STANDARD or SWITCHED GROUND installation. MOST vehicles are STANDARD. ALWAYS verify your application on the application guide before configuring. Configuring your harness incorrectly can result in blown fuses and troubleshooting hassles.

## Standard Installation

- Connect the ORANGE wire on the RELAY MODULE to the RED/WHITE wire on the CONTROL HARNESS. This supplies ignition switched power to the light relays.



## Switched Ground



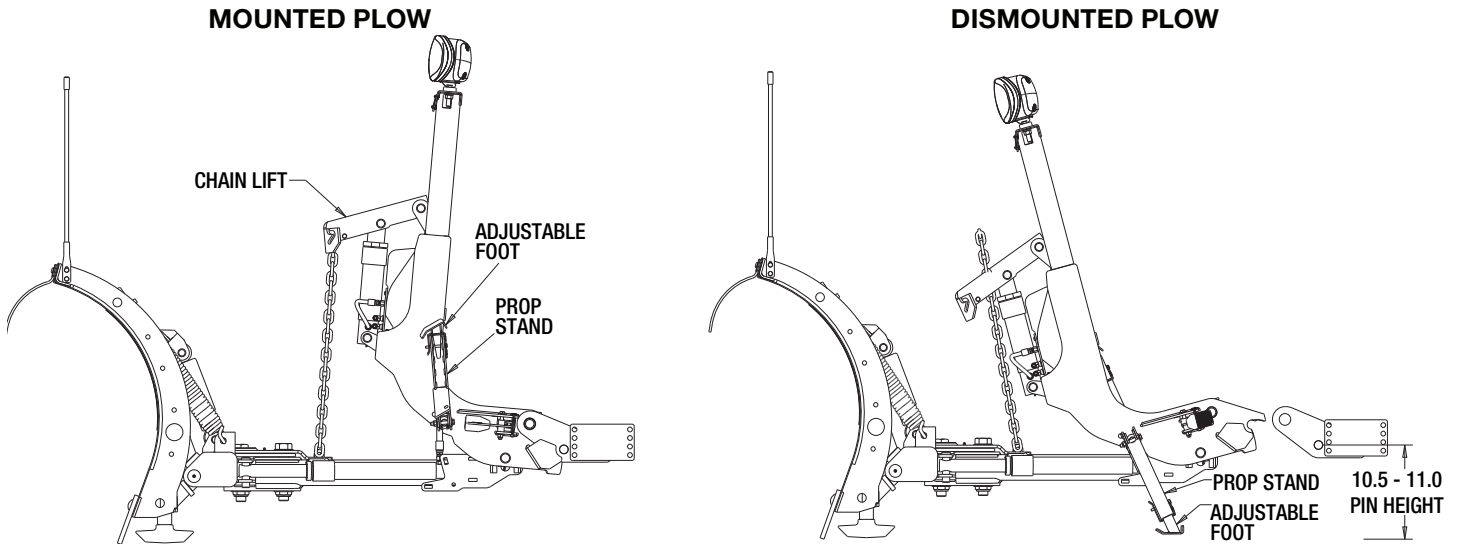
- Cut open the loom on the GRILL HARNESS near the 8-pin connector to locate the WHITE/BLACK wire. This wire has male and female connectors in line.
  - Disconnect the WHITE/BLACK wires (male and female connectors) from each other on the GRILL HARNESS.
  - Connect the ORANGE wire on the RELAY MODULE to the WHITE/BLACK wire on the GRILL HARNESS. This supplies ground to the relay coils when the plow is connected.
  - Connect the WHITE/BLACK wire on the GRILL HARNESS to the RED/WHITE wire on the CONTROL HARNESS. This supplies ignition switched power to the common wire of the plow lights.
- 8.** With the plow disconnected, check all light functions on the vehicle.
- 9.** Connect the plow and check all light functions on the plow.

## Optional Accessory Wires

There are two extra blunt cut wires (RED and BLUE) in the GRILL HARNESS near the 8-pin connector. These wires are for optional accessories mounted on the plow. They end at the 5-pin light connectors on the plow – and go to both the driver and passenger side light connectors. If these are used, they should be properly terminated. These wires are suitable for 15A of current.

## Plow Mounting And Checkout

Your fully assembled plow is now ready to mount to the vehicle that you have prepared. Mount the plow using the instructions as shown.



### Mounting

1. Check that the pins are fully retracted. The foot pedal should be pushed towards the truck and will lock in the retracted position.
2. Drive in to the plow so that the cross bar on the mount engages with the receiver notch on the plow.
3. Pull the foot pedal away from the truck to release the pins.
4. Push up on the lift frame to engage the pins. The gold pin will be visible to verify full connection. Insert the lock pin (or padlock) through the foot pedal and pedal linkage.
5. Push the prop foot down and rotate up to the stowed position.
6. Connect both the lighting & hydraulic connectors.

### Dismounting

1. Put the plow in float by holding the down button for 1 second.
2. Press down on the chain lift to retract the lift cylinder. The chain must have slack for ease of plow removal.
3. Pull the prop stand up and rotate the prop down to the deployed position. Adjust the foot extension as necessary to support the plow at the truck height.
4. Push on the foot pedal and raise the lift frame simultaneously. The pins will retract and the lift frame will rotate forward to rest on the lift frame prop.
5. Disconnect the lighting and hydraulic connectors.
6. Back away from the snowplow.

Power on the plow controller and operate the plow through all functions

### **CAUTION**

For safety reasons, the blade drops very slowly on the plow as shipped. To adjust the drop speed of the blade use a flat blade screwdriver and turn the lowering speed adjustment on the front of the hydraulic power unit counter clockwise. Turn it clockwise to slow the blade drop speed. Do this only while the blade is dropped, and tighten the jam nut after adjusting

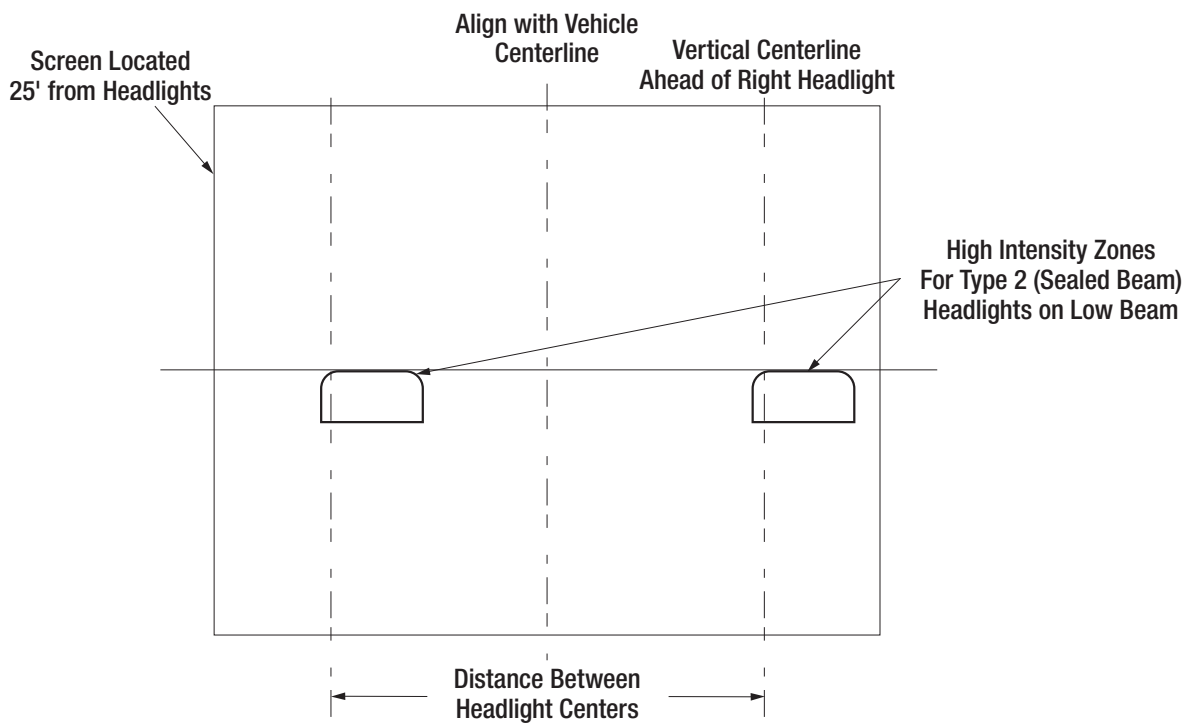
Verify that all plow lights work properly

- LOW BEAM
- HIGH BEAM
- FLASH TO PASS
- TURN SIGNALS
- PARKING LIGHTS

*Mount and Dismount the plow several times to confirm that all components work as intended. If any portion of the truck bumper or air dam interferes with mounting, it may need to be removed or the pushbar lowered. With the floating a-frame, the pushbar mounting height can vary significantly without impacting plow performance.*

## Light Aiming

- 1.** Place the vehicle on a level surface 25 feet in front of a matte-white screen, such as a white wall or garage door.
- 2.** The snowplow should be mounted, with the blade raised in transport position.
- 3.** Check that the truck is in normal operating condition with no flat tires, failed suspension components, and no passengers.
- 4.** Mark the vertical centerline of the vehicle headlights on the screen (a line matching the height the of headlights from the ground). Mark the horizontal centerline of the vehicle headlights on the screen (lines matching the headlight center to center distance).
- 5.** The high intensity zone of the low beams should be just below the horizontal line and the right of the vertical lines (see diagram below). Adjust the headlight aim as required.



**NOTE: Snowplow installers must certify that installation conforms to federal motor vehicle safety standards.** Your plow and truck are now ready for operation. The hydraulic system has been filled at the factory and should be fully operational. It is possible that agitation due to the shipping has introduced some air into the oil. When operating the plow for the first time some oil may exit the vent (by the coils). This should stop once the plow is cycled and operational. *Check all plow and light functions. If something is not working correctly, reread the installation directions to make sure a step was not missed and check the schematics.*

## **STORAGE**

1. Before disconnection the plow from your vehicle, fully compress the lift cylinder
2. Disconnect the plow from your vehicle
3. Coat all electrical connection points with dielectric grease
4. Repair/touch up any chipped paint or rusted areas
5. Apply a coat of oil or grease to all exposed chrome (on angle and lift cylinders)
6. Grease all grease fittings on trip pins and king pin

## **REMOVAL FROM STORAGE**

1. Check all fasteners and hydraulic fittings for tightness.
2. Replace any cracked hydraulic hoses
3. Coat all electrical connection points with dielectric grease
4. Connect plow to vehicle

## **MAINTENANCE**

The SnowDogg line of plows has been simply designed for reliable service. In order to ensure the reliability of your plow, observe the following maintenance items and regularly inspect:

- Fasteners and retaining devices for proper installation and tightness.
- Hydraulic cylinders for damage, pitting or leakage
- Hydraulic hoses for wear, damage or leakage. Replace any damaged hose.
- All electrical connections for corrosion – apply dielectric grease as required
- Cutting edge wear
- Plow shoe wear
- Greasable fittings (2x trip pins and king pin)

## **HYDRAULIC SYSTEM**

- All SnowDogg plows use SnowDogg brand Low-Temperature Hydraulic Fluid (P/N 16150010) available from SnowDogg dealers.
- The reservoir should be filled through to top port until oil reaches the top port.
- Recheck and tighten all fittings and valves every season or as necessary. Vibration due to normal use can cause fittings to loosen.
- Loctite or Teflon tape should not be used on any fittings or hoses. The only plugs where pipe sealant may be used are the reservoir plugs.
- The reservoir should be drained and refilled every season to ensure that the oil remains free of water and contaminants. If contaminants are known to be present, it is recommended that the reservoir be removed and cleaned.

**With proper maintenance and care your SnowDogg plow will provide years of trouble free service!**



# Limited Warranty

.....

## **COVERAGE**

Buyers Products Company warrants to the original purchaser of a Buyers Products SnowDogg® brand snowplow that they will be free from defects in materials and workmanship for a period of two (2) years after the date of original purchase. Buyers Products warrants accessories, service parts, and components purchased separately to be free of defects in materials and workmanship for a period of one (1) year after date of original purchase.

These warranties are exclusive and in lieu of all other express and, except to the extent prohibited by applicable law, all implied warranties, including but not limited to the implied warranties of merchantability and fitness for a particular purpose, are limited in duration to the duration of this warranty.

Buyers Product's Liability is expressly limited to repair or replacement of defective parts. Buyers Products shall not be liable for consequential, incidental or contingent damages whatsoever, even if damages are caused by the negligence or fault of Buyers Products.

This warranty gives you specific legal rights. Additional purchaser's rights may vary from state to state.

## **WHAT IS NOT COVERED**

The warranty does not apply to:

- ...parts not furnished by Buyers Products or damage resulting from same.
- ...parts modified without authorization or damage resulting from same.
- ...expendable parts (cutting edges, fluids, etc.).
- ...damage resulting from failure to install, maintain or operate the product per the owner's manual, installation instructions, or application guides.
- ...damage to vehicle and/or frame of vehicle resulting from plow attachment.

## **WARRANTY PROCEDURE**

**If any part is proven to be defective within that warranty period, Buyers Products will, at its sole discretion, repair or replace said part at its expense FOB Cleveland, OH. Labor will be credited to authorized dealers as determined by published rate charts.**

Buyers Products obligation shall be limited to such repair or replacement and shall be further contingent on Buyers Products receiving written notice of the alleged defect and proof of original purchase within ten (10) days of its discovery as well as the return of the allegedly defective part to Buyers Products.

To obtain service, the purchaser must return the defective snowplow to an authorized SnowDogg Dealer with proof of purchase and applicable maintenance records. All transportation costs to and from the dealer will be the responsibility of the purchaser. SnowDogg dealers may be located on-line at [www.snowdoggplows.com](http://www.snowdoggplows.com).

Buyers Products  
9049 Tyler Blvd.  
Mentor, OH 44060

**Contact Your Dealer for Service and Technical Support**

