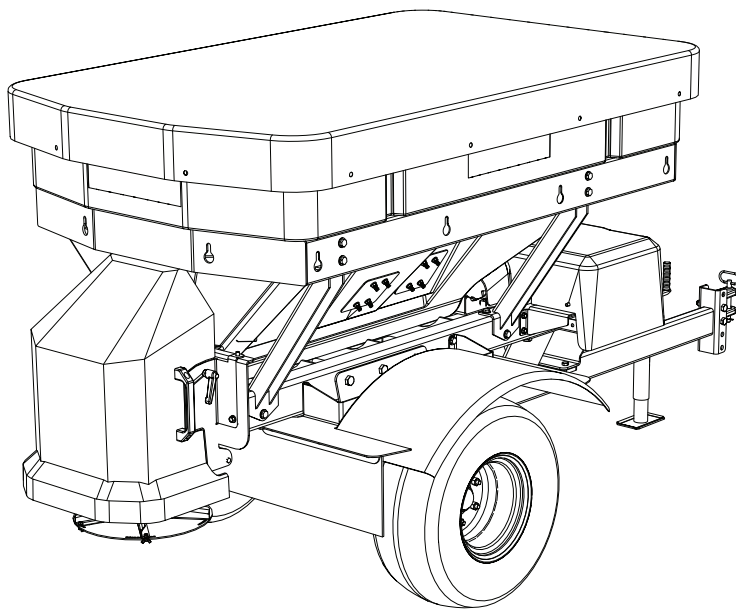


# Parts List

# SNOWEX<sup>®</sup>

LEADERS IN ICE CONTROL



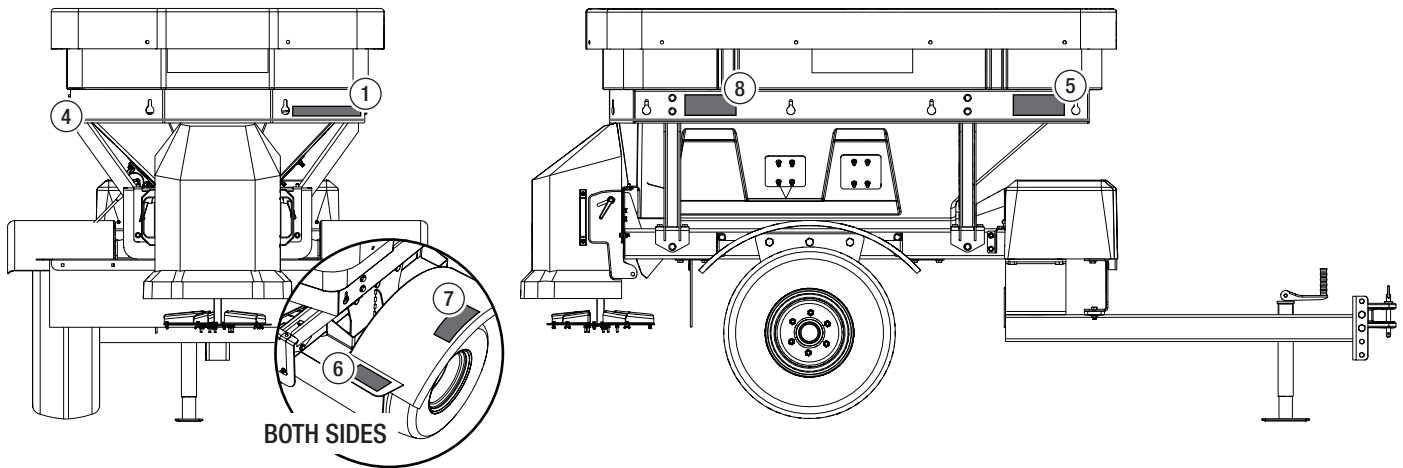
## SP-7000

Serial No. 140410300001SP-7000 and higher



**CUSTOMER COPY**

Madison Heights, Michigan 48071  
800-SALTERS  
[www.snowexproducts.com](http://www.snowexproducts.com)



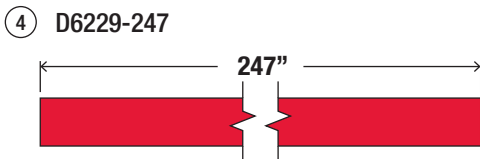
① D5584  
**TOW PRO 7000**

② D6192

<b>⚠ WARNING</b>
<ul style="list-style-type: none"> <li>• Keep hands, feet &amp; loose clothing away from moving parts.</li> <li>• Disconnect power before servicing equipment.</li> </ul> <p style="text-align: right;">D6192</p>

③ D6194

<b>⚠ WARNING</b>
<ul style="list-style-type: none"> <li>• Read owners manual before operating equipment.</li> <li>• Never remove spreader with material in hopper.</li> </ul> <p style="text-align: right;">D6194</p>



⑤ D6335

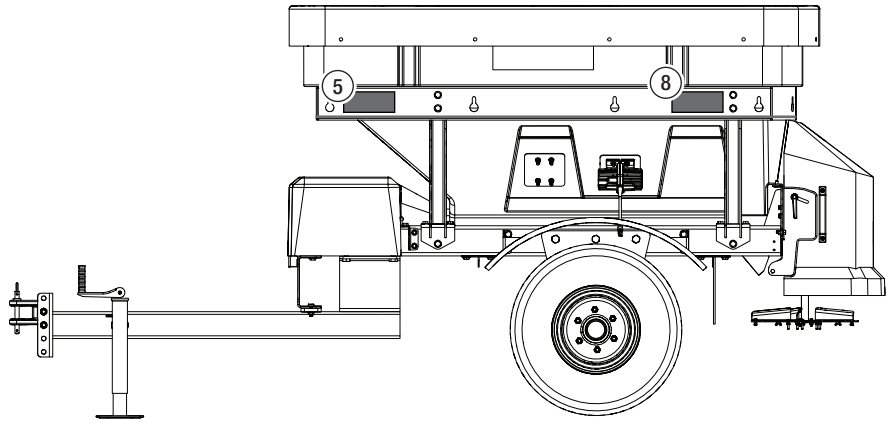
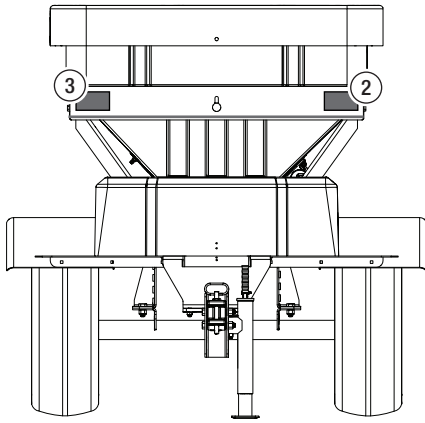
<b>⚠ WARNING</b>	
	<p><b>ROTATING AUGER CAN CAUSE SERIOUS INJURY OR DEATH</b></p> <ul style="list-style-type: none"> <li>• Keep arms, hands, and loose clothing away from auger.</li> <li>• Shut off control and unplug spreader before servicing.</li> </ul> <p style="text-align: right;">D6335</p>

⑥ D6544

<b>⚠ WARNING</b>	
	<p><b>ROTATING PARTS AND FLYING OBJECTS CAN CAUSE INJURY OR DEATH</b></p> <ul style="list-style-type: none"> <li>• Keep hands, arms, feet and loose clothing away</li> <li>• Shut off power and stop engine before servicing</li> <li>• Read owners manual before operating.</li> <li>• Keep bystanders at least 60 ft away.</li> </ul> <p style="text-align: right;">D6544</p>

⑦ D6545

<b>⚠ WARNING</b>	
<b>NO STEP</b>	<ul style="list-style-type: none"> <li>• Slippery Surface When Wet.</li> <li>• May Cause Severe Injury</li> </ul> <p style="text-align: right;">D6545</p>

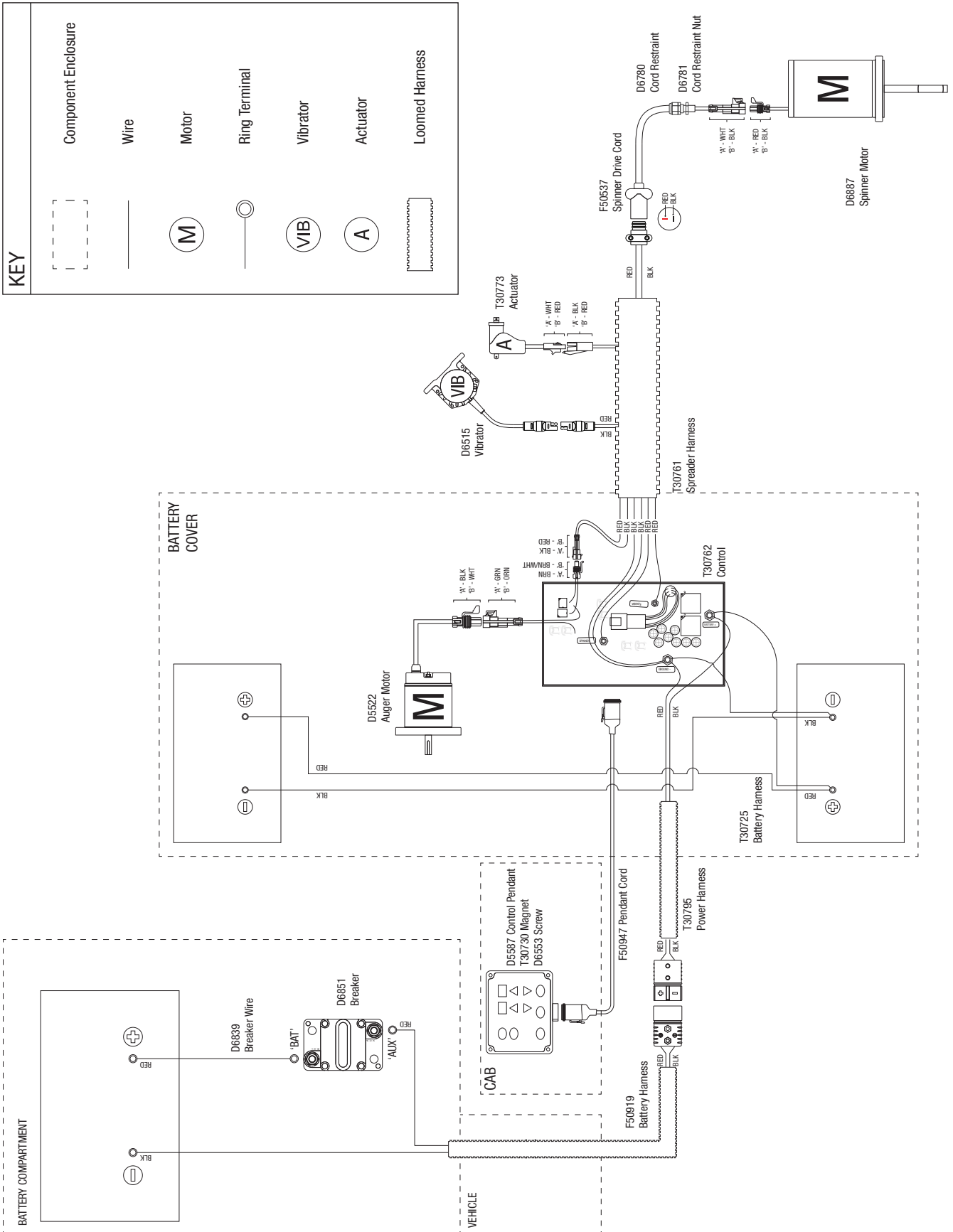


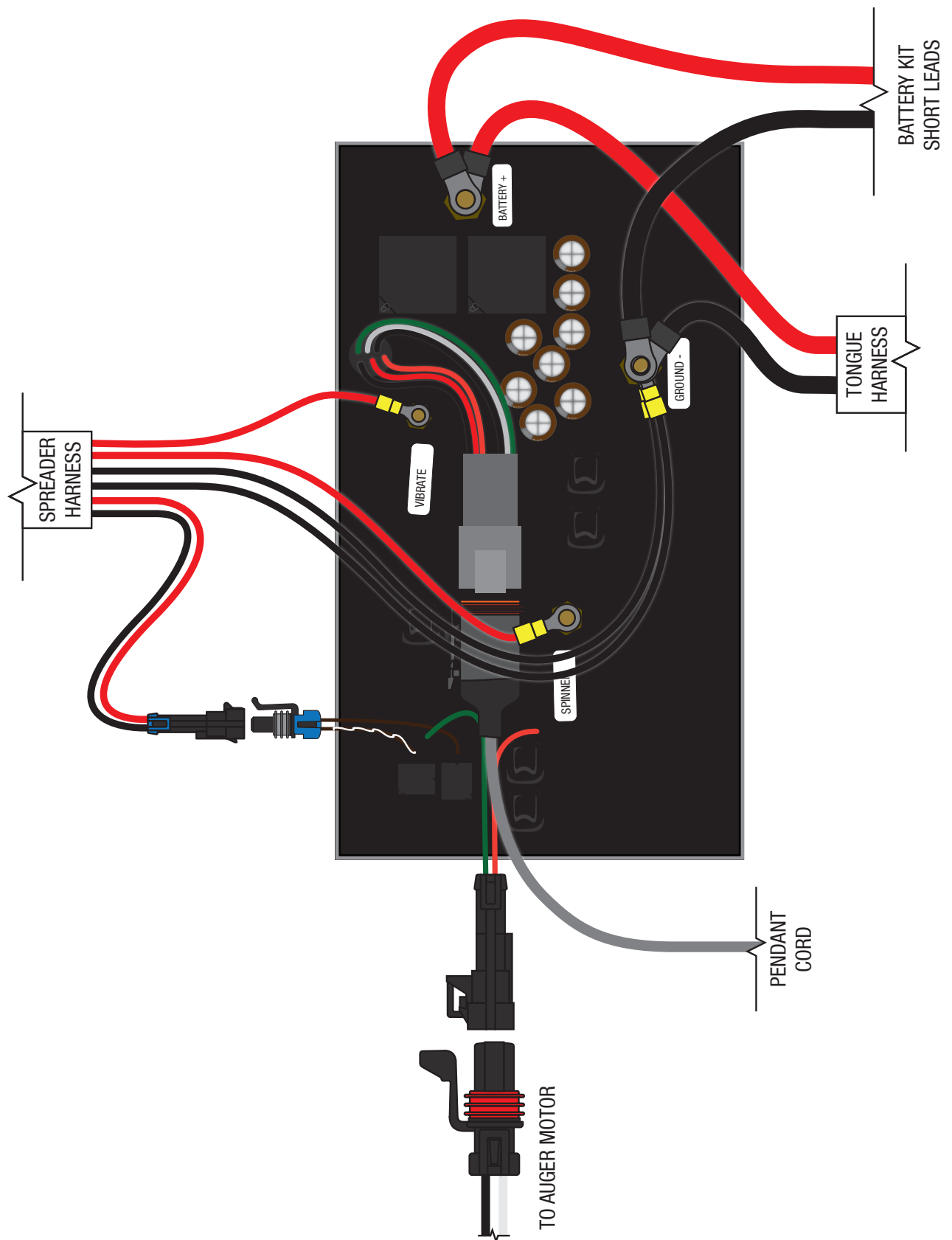
8 T30800

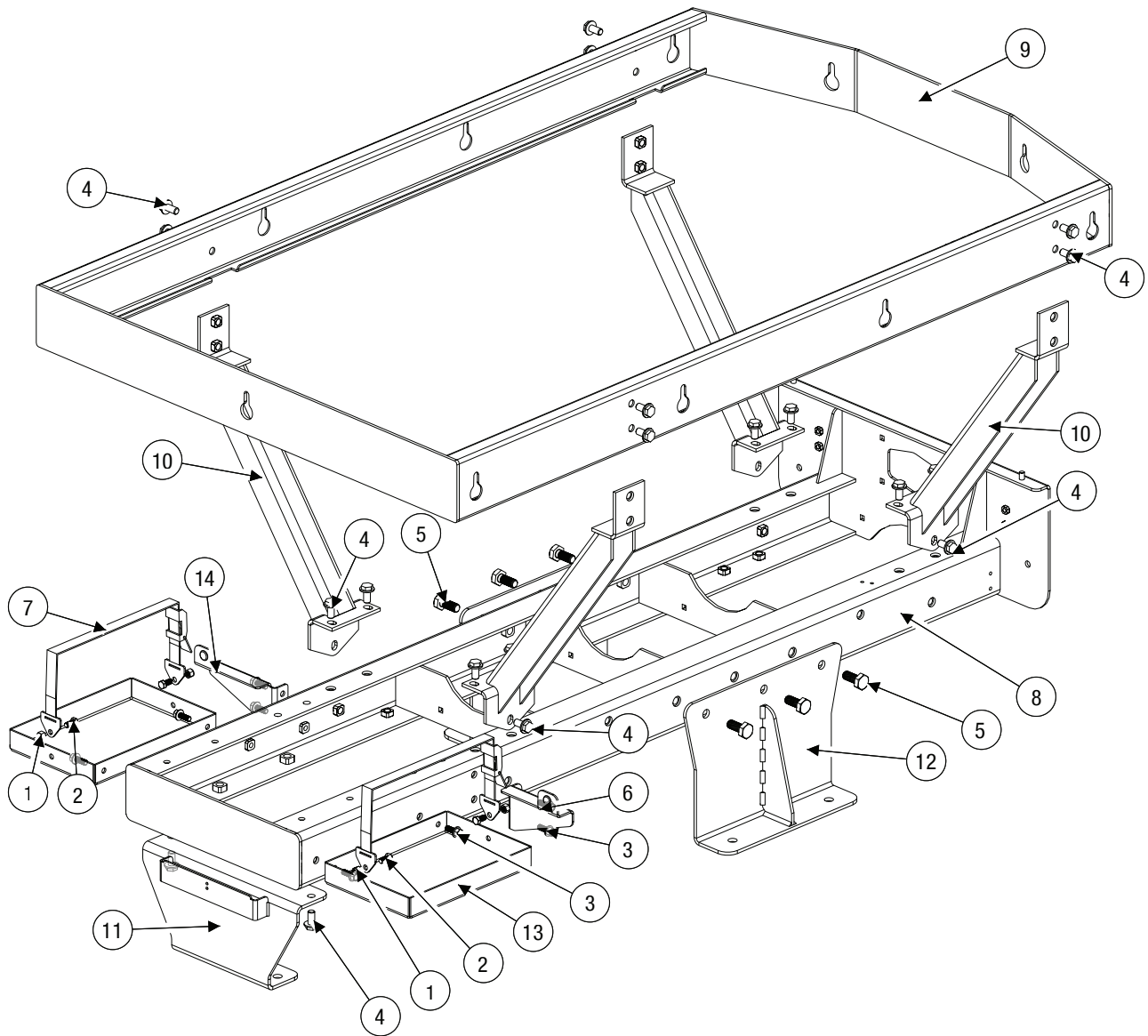


ID #	PART #	QTY	DESCRIPTION
1	D5584	1	Decal   Die Cut - Tow Pro 7000
2	D6192	1	Decal   Warning - Hands & Feet/Disconnect Power
3	D6194	1	Decal   Read Owner's Manual
4	D6229-247	1	Red Stripe   247 inches
5	D6335	2	Decal   Warning - Rotating Auger
6	D6544	2	Rotating Parts
7	D6545	2	Decal   Warning - No Step
8	T30800	2	Decal   Warning - Sloped Terrain

# Wiring Schematic





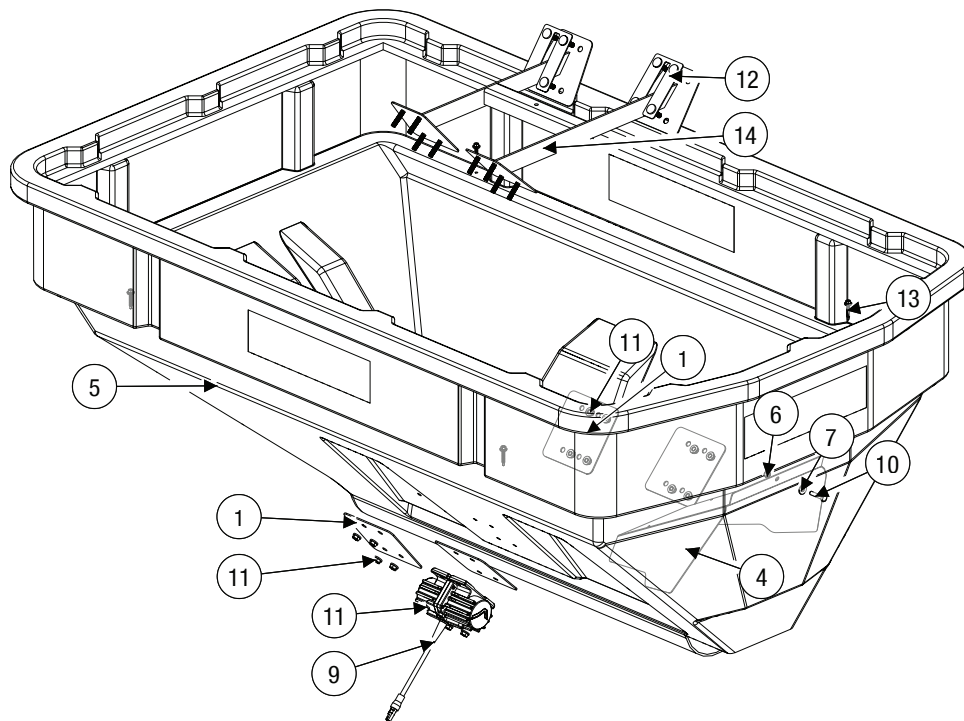
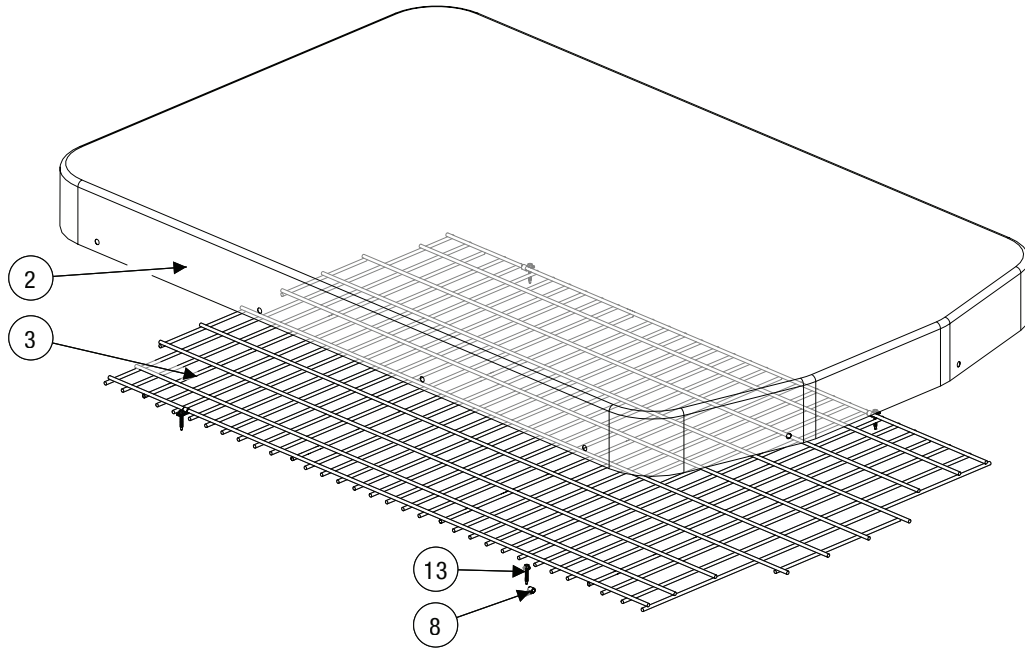


# Frame Assembly Parts Breakdown



ID #	PART #	QTY	DESCRIPTION
1	D4124	4	Nut   3/8"-16 Nylox Zinc
2	D5340	4	Bolt   3/8"-16 X 3/4" Hex Head Zinc
3	D6452	8	Bolt   3/8"-16 X 1" Serrated Flange Type F Zinc
4	D6528	22	Bolt   1/2"-13 X 1" Serrated Hex Zinc
5	T30740	6	Bolt   5/8"-11 X 1-1/2" Hex Head Zinc
6	T30747	1	Battery Cover Mount Bracket Left
7	T30749	2	Battery Strap
8	T30754	1	Main Frame   Towable
9	T30774	1	Frame Belt
10	T30775	4	Frame Uprights
11	T30776	1	Hitch Mount
12	T30782	2	Axle Mount Plate
13	T30788	2	Battery Tray
14	T30797	1	Battery Cover Mount Bracket Right

# Hopper Assembly Parts Breakdown

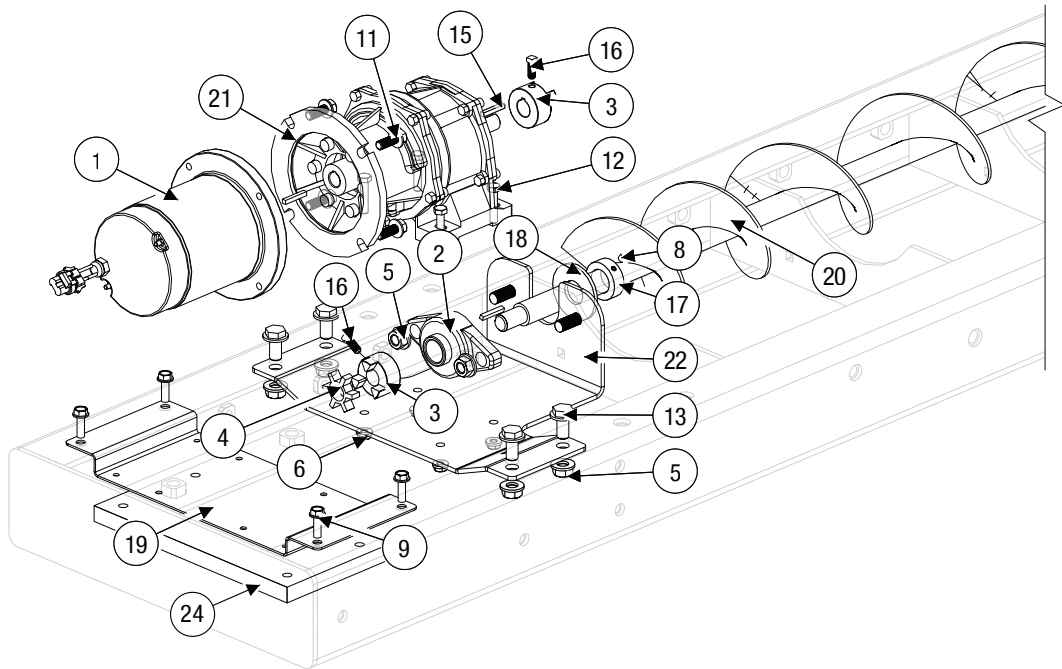
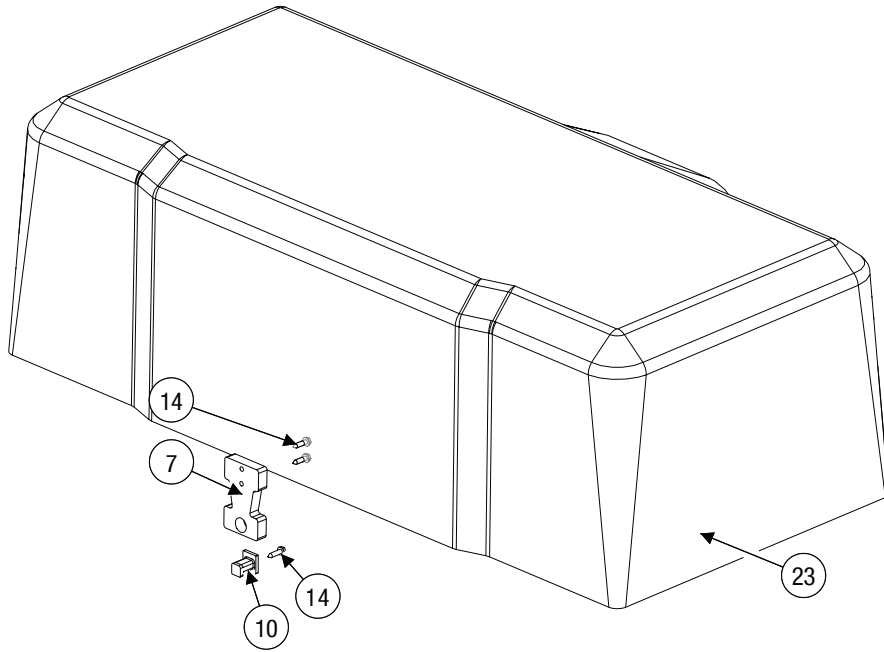




# Hopper Assembly Parts Breakdown



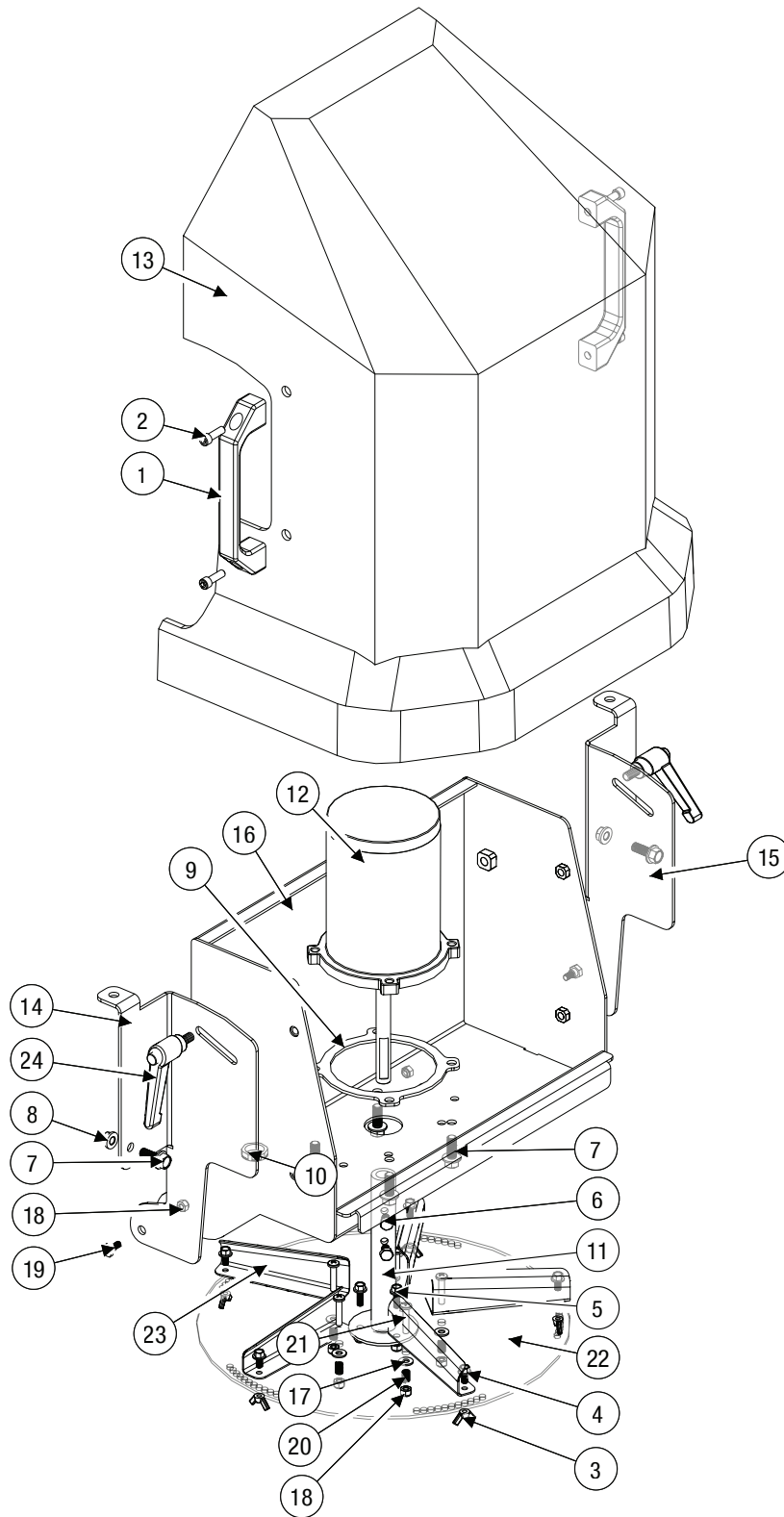
ID #	PART #	QTY	DESCRIPTION
1	D5508	4	Flat Inverted V Backing Plate
2	D5511	1	Tarp Kit   78" X 49"
3	D5512	1	Top Screen   72" X 43"
4	D5517	1	Discharge Baffle
5	D5580	1	Hopper   1.4 Cu. Yd. Yellow
6	D6138	1	Nut   5/16"-18 Nylox Zinc
7	D6165	1	Washer   5/16" Flat USS Zinc
8	D6509	4	Clamp   5/16" Rubber Coated
9	D6515	1	Vibrator   DC 200
10	D6524	1	Bolt   5/16"-18 X 1-1/2" Tap Zinc
11	D6584	16	Nut   3/8"-16 Serrated Flange Zinc
12	D6815	2	Bolt Plate   4 Bolt
13	D6874	8	Screw   1/4" X 1-1/2" Driller W/R-M Washer
14	T30758	1	Vibration Frame



# Auger Drive Parts Breakdown



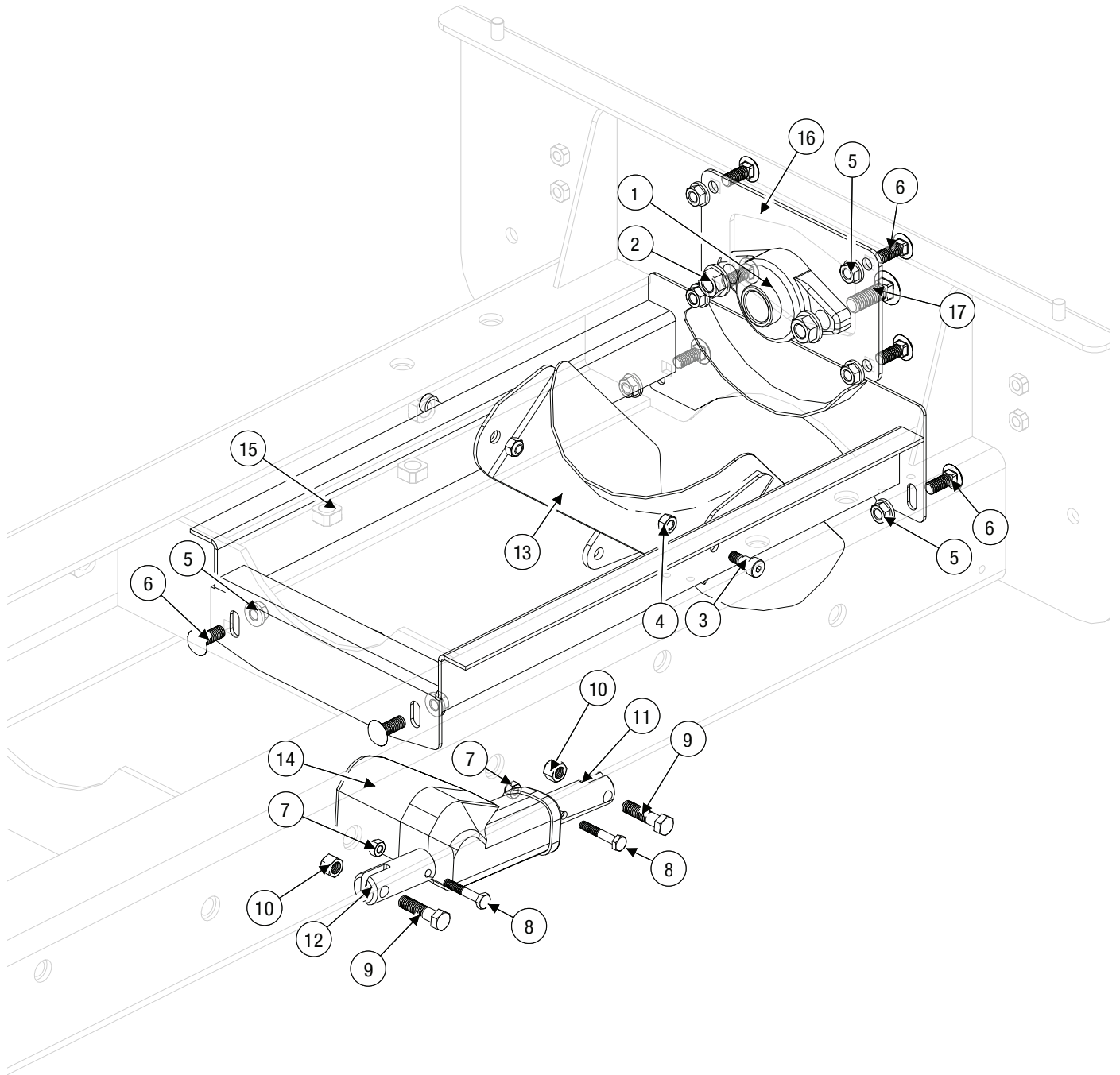
ID #	PART #	QTY	DESCRIPTION
1	D5522	1	Motor   1/3HP X 1750RPM
2	D5527	1	Bearing   1" 2 Bolt Flange
3	D5532	2	Jaw-Coupling Hub   L075 Sintered Iron
4	D5533	1	Jaw-Coupling Spider   L075 Urethane
5	D5535	6	Nut   1/2"-13 Serrated Flange Zinc
6	D5706	4	Nut   5/16"-18 Serrated Flange Zinc
7	D6105	1	Flexible Draw Latch
8	D6140	1	Set Screw   5/16"-18 X 3/8" Socket
9	D6182	4	Bolt   5/16"-18 X 1" Type F Flange Zinc
10	D6198	1	Latch Keeper
11	D6452	4	Bolt   3/8"-16 X 1" Serrated Flange Type F Zinc
12	D6524	4	Bolt   5/16"-18 X 1-1/2" Tap Zinc
13	D6528	4	Bolt   1/2"-13 X 1" Serrated Hex Zinc
14	D6553	3	Screw   #10 X 3/4" HWH Slotted SMS Zinc
15	D6873	3	Keystock   3/16" X 1-1/4" Plain
16	D7162	2	Set Screw   5/16"-18 X 3/4" Square Head Plain
17	T20315	1	Shaft Collar   1-1/16" W/Set Screw Zinc
18	T30742	1	Washer   1" Flat USS Zinc
19	T30745	1	Control Mounting Bracket
20	T30760	1	Auger   5" X 53" X 5"-8"
21	T30767	1	MS4500 Auger Trans
22	T30791	1	Auger Drive Mount Bracket
23	T30793	1	Battery Cover Black
24	T30762	1	Spreader Control   SP-7000



# Spinner Drive Parts Breakdown



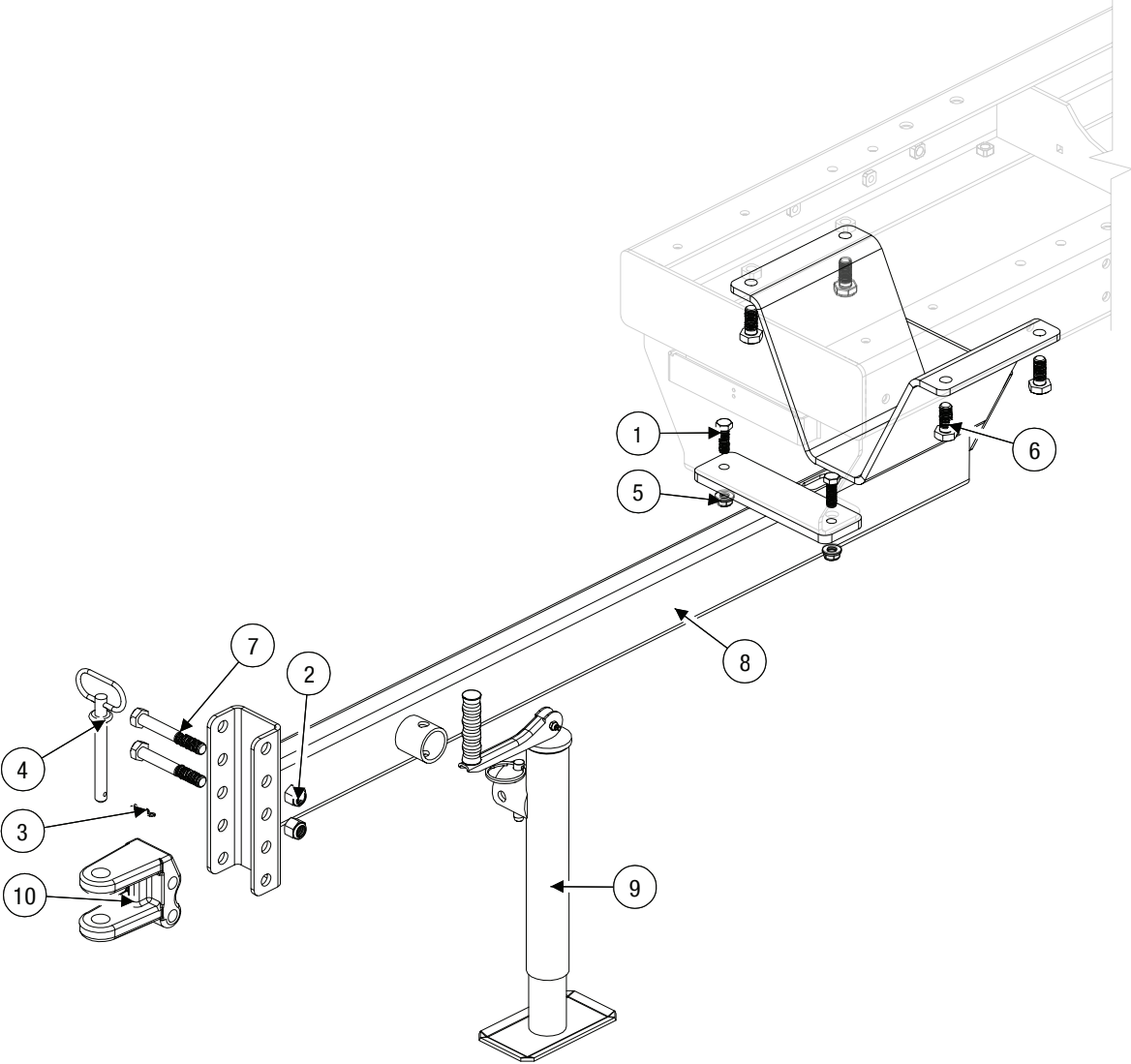
ID #	PART #	QTY	DESCRIPTION
1	D5248	2	Pull Handle   8"
2	D5293	4	Bolt   5/16"-18 X 1" Socket Head Stainless
3	D5583	5	Nut   1/4"-20 Wing Stainless
4	D6131	5	Bolt   1/4"-20 X 1/2" Serrated Flange Stainless
5	D6132	3	Bolt   1/4"-20 X 3/4" Serrated Flange Stainless
6	D6133	2	Bolt   5/16"-18 X 1/2" Hex Head Zinc
7	D6452	6	Bolt   3/8"-16 X 1" Serrated Flange Type F Zinc
8	D6584	2	Nut   3/8"-16 Serrated Flange Zinc
9	D6777	1	Spinner Motor Shim
10	D6781	1	Nut   1/2" NPT Black Nylon
11	D6824	1	Spinner Hub   5/8" X 1" X 7-5/8"
12	D6887	1	Spinner Motor
13	F51168	1	Spinner Cover Assembly Tow Pro
14	F51171	1	Spinner Drive Mount Plate Right
15	F51172	1	Spinner Drive Mount Plate Left
16	F51173	1	Spinner Drive Enclosure MS4500
17	T15014	5	Washer   1/4" Flat Stainless
18	T15016	10	Nut   1/4"-20 Nylox Waxed Stainless
19	T15038	2	Bolt   Gate Linkage Shoulder Stainless
20	T30217	5	Spring   .360 X .047 X 1" Stainless
21	T30218	5	Screw   1/4"-20 X 1-1/4" Phil Pan Stainless
22	T30766	1	Spinner Plate   16" Adjustable
23	T30770	5	Spinner Blade   6"
24	T30796	2	Adjustable Handle   3/8"-16 X 1"



# Chute Assembly / Rear Bearing Parts Breakdown



ID #	PART #	QTY	DESCRIPTION
1	D5527	1	Bearing   1" 2 Bolt Flange
2	D5535	2	Nut   1/2"-13 Serrated Flange Zinc
3	D5536	2	Bolt   3/8" X 5/16" Socket Shoulder
4	D6138	2	Nut   5/16"-18 Nylox Zinc
5	D6584	8	Nut   3/8"-16 Serrated Flange Zinc
6	D6810	8	Bolt   3/8"-16 X 1" Carriage Zinc
7	T15016	2	Nut   1/4"-20 Nylox Waxed Stainless
8	T30726	2	Bolt   1/4"-20 X 1-1/2" Hex Head Stainless
9	T30727	2	Bolt   3/8"-16 X 1-1/2" Hex Head Stainless
10	T30728	2	Nut   3/8"-16 Nylox Waxed Stainless
11	T30729	1	Actuator Rod Adapter
12	T30744	1	Actuator Mount Adapter
13	T30769	1	Chute Gate
14	T30773	1	Linear Actuator   2" Stroke
15	T30798	1	Gate Frame
16	T30814	1	Auger Bearing Adapter Bracket
17	T30821	2	Bolt   1/2"-13 X 1-1/2" Carriage Zinc

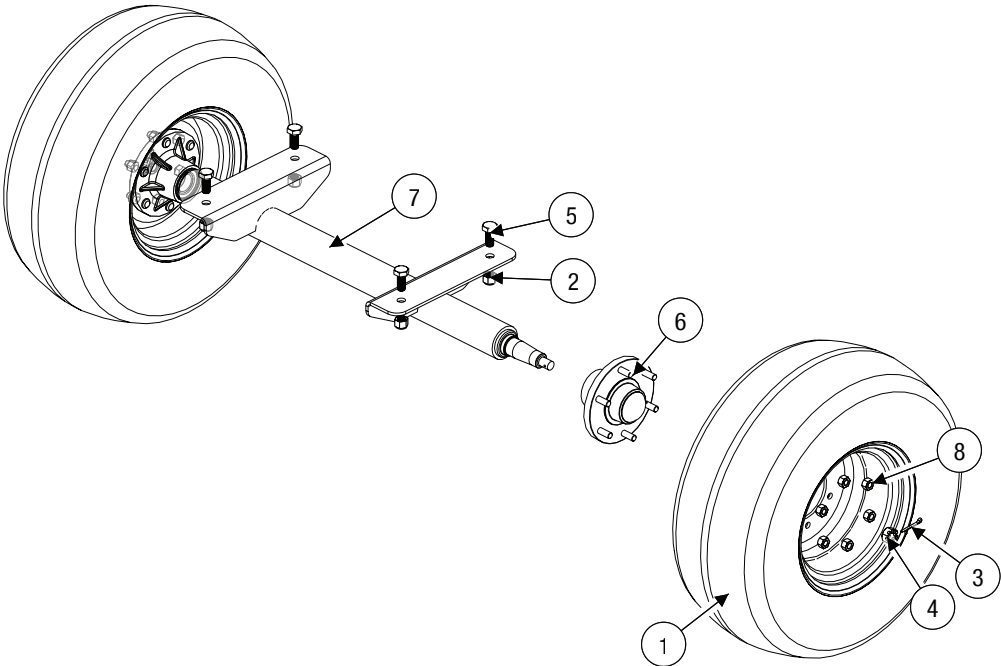




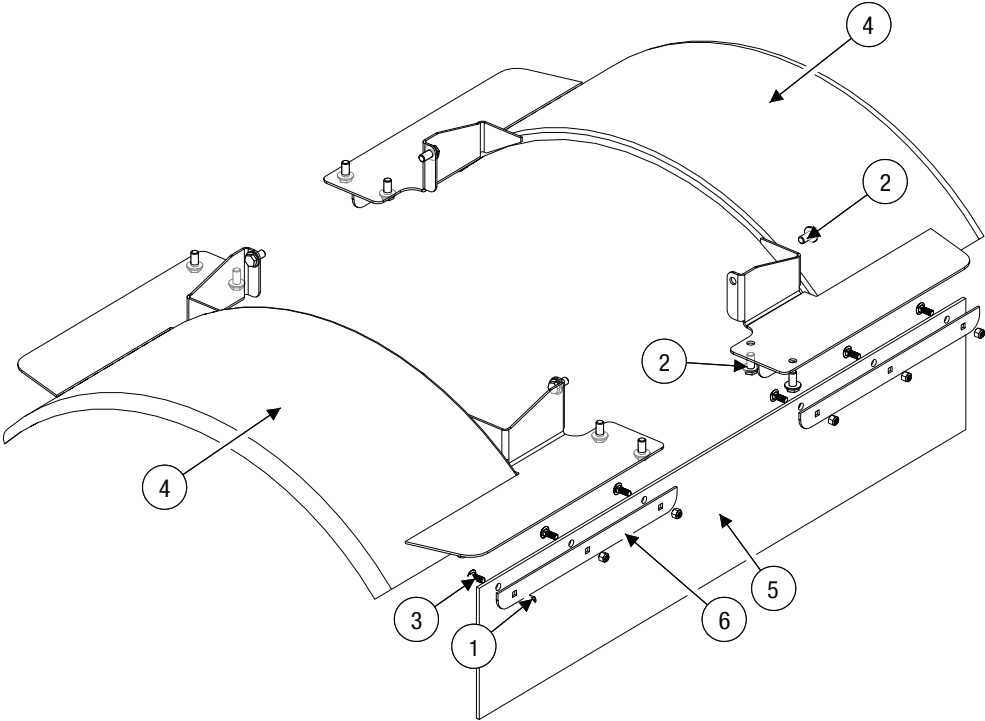
# Trailer Tongue Parts Breakdown



ID #	PART #	QTY	DESCRIPTION
1	D4116	2	Bolt   1/2"-13 X 1-1/2" Hex Head Zinc
2	D4127	2	Nut   5/8"-11 Nylox Zinc
3	D4135	1	Hair Pin Cotter   .093 X 2-3/8" Zinc
4	D4136	1	Hitch Pin   5/8" X 5-1/2"
5	D5535	2	Nut   1/2"-13 Serrated Flange Zinc
6	T30740	4	Bolt   5/8"-11 X 1-1/2" Hex Head Zinc
7	T30741	2	Bolt   5/8"-11 X 4-1/2" Hex Head Zinc
8	T30755	1	Trailer Tongue
9	T30789	1	Trailer Jack
10	T30790	1	Hitch Clevis



ID #	PART #	QTY	DESCRIPTION
1	A4066	2	Wheel   SP-7000
2	D4127	4	Nut   5/8"-11 Nylox Zinc
3	T30736	2	Cotter Pin   5/32" X 2" Zinc
4	T30739	2	Nut   3/4"-16 Slotted Hex Zinc
5	T30740	4	Bolt   5/8"-11 X 1-1/2" Hex Head Zinc
6	T30753	2	Wheel Hub   6 X 6
7	T30756	1	Axle   2-7/8" X 46"
8	T30780	12	Nut   1/2"-20 Open End Wheel 13/16" Hex Zinc



# Fender Parts Breakdown



ID #	PART #	QTY	DESCRIPTION
1	D4124	6	Nut   3/8"-16 Nylox Zinc
2	D6528	12	Bolt   1/2"-13 X 1" Serrated Hex Zinc
3	D6810	6	Bolt   3/8"-16 X 1" Carriage Zinc
4	T30784	2	Fender   16"
5	T30816	1	Mud Flap   1/4" X 10" X 50"
6	T30817	2	Mud Flap Clamp Plate





