



## 7-1/2', 8-1/2' and 9-1/2' MVP PLUS™ Snowplows

Mild Steel Blades 44475-1, 44485-1, 44495-1

Poly Blades 44575-1, 44585-1, 44595-1

H,L&T Center Assembly 74225

H,L&T Center Assembly, Central Hydraulics 75225

Parts List



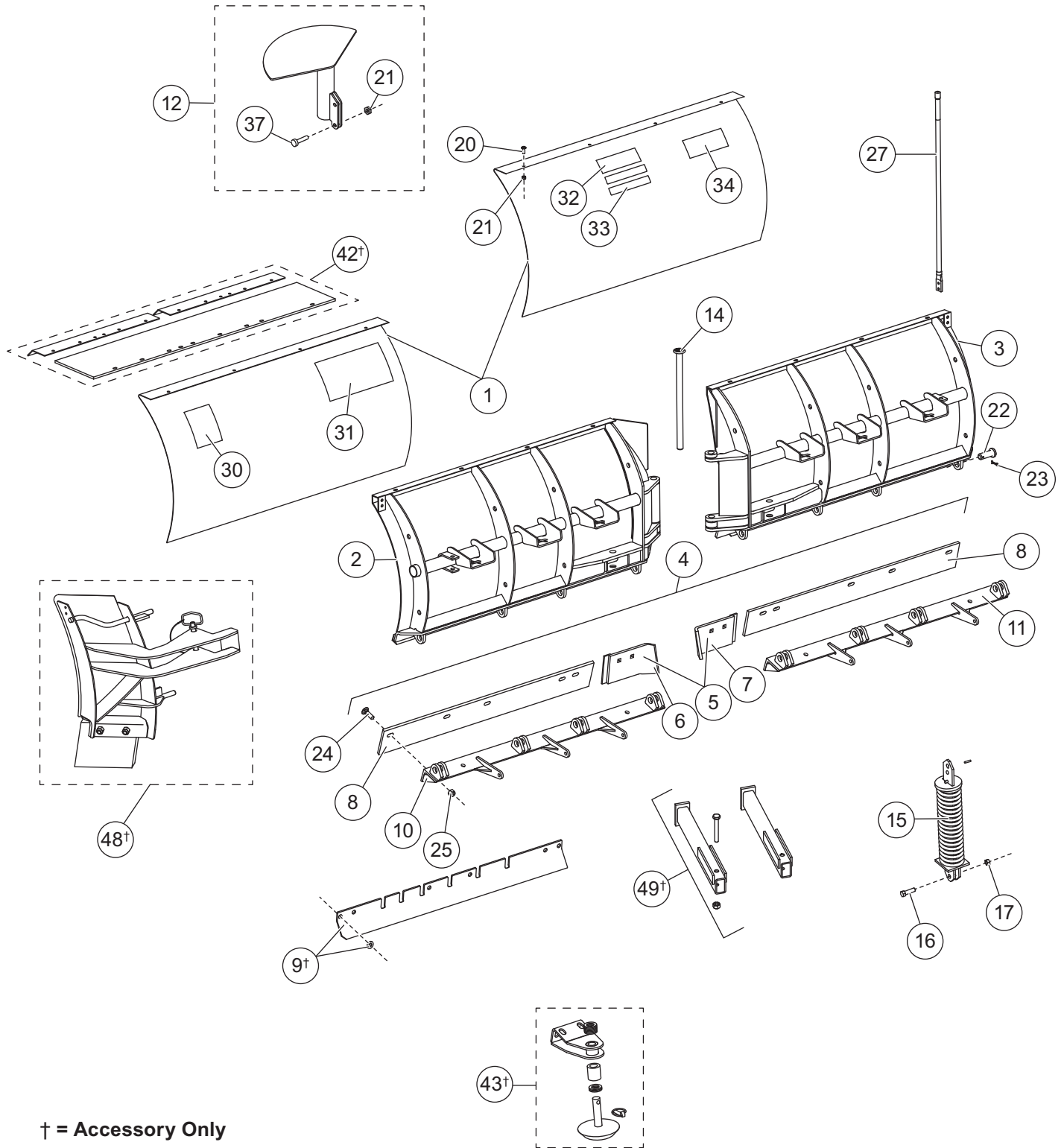


# TABLE OF CONTENTS

---

<b>MVP PLUS™ BLADES</b> .....	4
<b>MVP PLUS HYDRAULIC, LIFT FRAME AND T-FRAME (H,L&amp;T) CENTER ASSEMBLY</b> .....	6
Lift Frame and T-Frame .....	6
Hydraulic Unit.....	8
Cover Assembly.....	10
Lift and Angle Rams .....	11
Hoses and Fittings .....	11
Electrical Components.....	12
Vehicle-Side Wiring Diagram – 3-Port, 2-Plug System.....	13
Vehicle-Side Wiring Diagram – Central Hydraulics .....	14
Headlamp Kit .....	15

Blade Components – 9-1/2' Shown



**MVP PLUS™ BLADES 44475-1/44485-1/44495-1/44575-1/44585-1/44595-1**

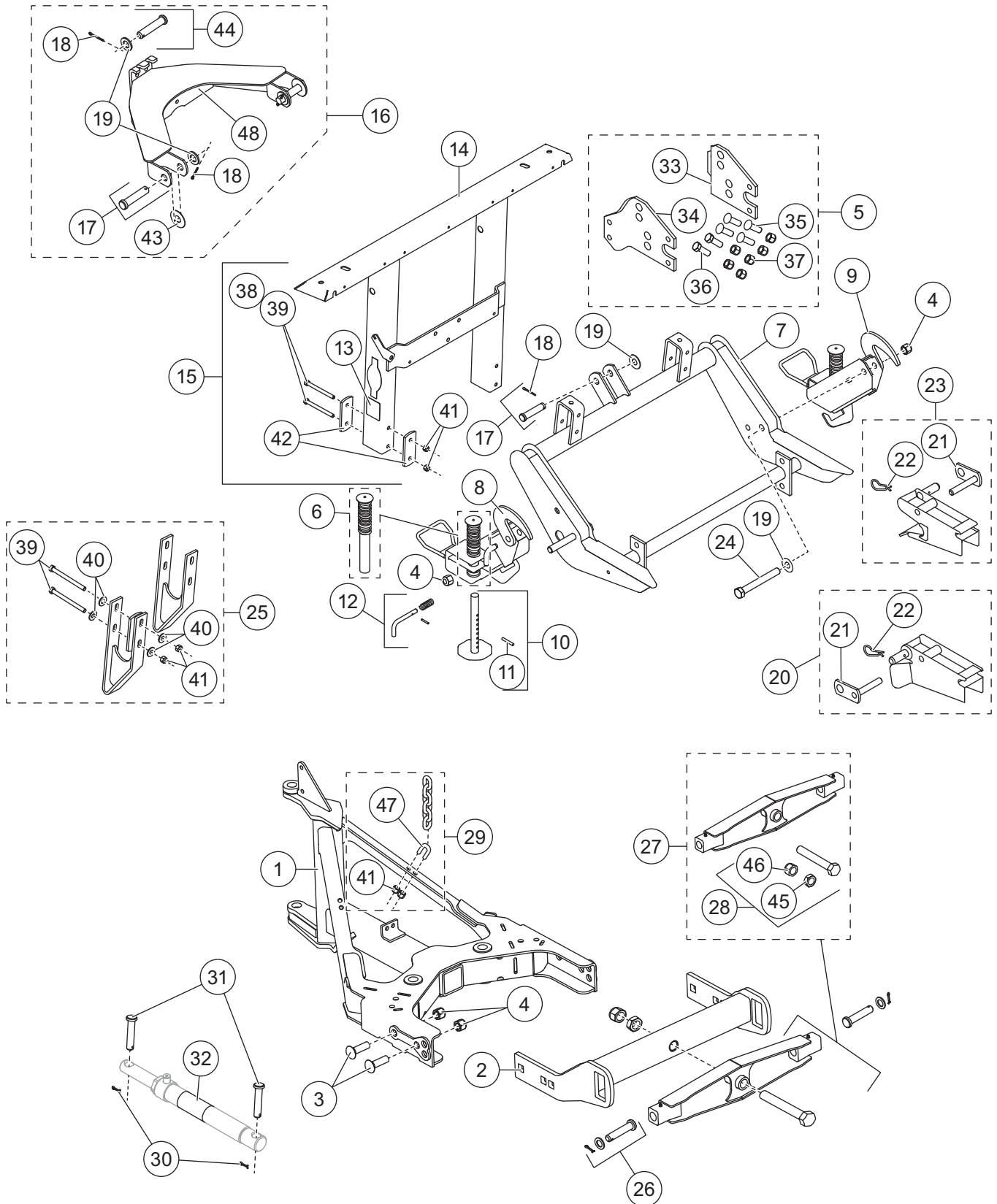
44475-1/44485-1/44495-1/44575-1/44585-1/44595-1 MVP PLUS Blade						
Item Description	Part					
	7-1/2'		8-1/2'		9-1/2'	
	MS	PY	MS	PY	MS	PY
1 Moldboard Kit w/Fasteners & Labels	44715	44718	44716	44719	44717	44720
2 Frame, Base Angle & Spring Assembly – DS	44730		44731		44732	
3 Frame, Base Angle & Spring Assembly – PS	44733		44734		44735	
4 Cutting Edge Kit (3/8")	44561-1		44564-1		n/a	
Cutting Edge Kit (1/2")	44284-1†		44285-1†		44567-1	
5 Center Cutting Edge Kit	44894					
6 Center Cutting Edge – DS	44891					
7 Center Cutting Edge – PS	44890					
8 Cutting Edge (3/8")	44896		44897		n/a	
Cutting Edge (1/2")	44996†		44997†		44898	
9† Back Drag Edge Kit	44281-2†		44282-2†		44283-2†	
10 Base Angle – DS	44142		44144		44146	
11 Base Angle – PS	44143		44145		44147	
12 Center Snow Control Kit	44570				44571	

† = Accessory Only

Blade Pins, Fasteners, Labels & Springs					
Item	Part	Description	Item	Part	Description
14	44028	Main Pivot Pin	30	59900	Label – Warning/Caution, Snowplows
15	21452	Removable Spring Assembly	31	67796	Label – UltraMount® Attach/Detach
16	91000	7/16-14 x 1/2 x 1-5/8 Shoulder Bolt	32	44453	Label – Identity, MVP PLUS
17	90353	7/16-14 Hex Locknut GB	33	28404	Label – Identity, ULTRAFINISH™ (mild steel moldboards only)
20	98043	3/8-16 x 1 Button Cap Screw	34	44451	Label – Identity, WESTERN® 8.31"
21	91333	3/8-16 Hex Locknut GB	ns	40986	Label – Identity, CONTRACTOR GRADE®
22	27227	1 x 2-3/4 Clevis Pin	ns	44790	Bolt Bag – Rubber Deflector, V
23	90607	1/4 x 1-3/4 Cotter Pin	ns	44763	Bolt Bag – Cutting Edge Kits (one side – 5 sets of fasteners)
24	5572	5/8-11 x 2 Carriage Bolt G5			
25	91337	5/8-11 Hex Locknut GB			
27	62595	Poly Blade Guide Kit			
<b>Item 12 Center Snow Control Kit – 44570 (7-1/2' &amp; 8-1/2' Blades) or 44571 (9-1/2' Blades)</b>					
		Center Deflector	37	66456*	3/8-16 x 1-1/4 Hex Cap Screw G5
21	91333*	3/8-16 Hex Locknut GB			
<b>Blade Accessories</b>					
42†	44280	Deflector Kit (universal)	49†	44473	Blade Stop Kit
43†	44277-1	Shoe Kit (set of 2)	ns†	44674	Label Kit – Complete Blade
48†	44510-1	Blade Wing Extension Kit (8-1/2' & 9-1/2' blades only)			
ns = not shown      * = Packed w/HL&T Center Assembly      G = Grade      † = Accessory Only					

# MVP PLUS™ H,L&T CENTER ASSEMBLY 74225/75225(CH)

## Lift Frame and T-Frame Components



# MVP PLUS™ H,L&T CENTER ASSEMBLY 74225/75225(CH)

<b>MVP PLUS Lift Frame and T-Frame Components</b>							
<b>Item</b>	<b>Part</b>	<b>Qty</b>	<b>Description</b>	<b>Item</b>	<b>Part</b>	<b>Qty</b>	<b>Description</b>
1	44546-2†	1	T-Frame Service Kit	17	93063K	3	3/4 x 3-1/4 Clevis Pin Kit
2	44557-2	1	Pushbeam	18	91911K	4	5/32 x 1-1/2 Cotter Pin Kit
3	63913	4	3/4-10 x 2-1/2 Carriage Bolt G5	19	91147	6	3/4 Flat Washer
ns	90459‡	4	3/4-10 x 2-1/2 Hex Cap Screw G5	20	67858	1	Receiver Kit – DS
4	91338	6	3/4-10 Hex Locknut GB	21	67665	2	Receiver Pin
5	67843	1	Pivot Plate Service Kit	22	91965K	2	5/32 Hairpin Cotter
6	48523	1	Plunger w/Spring	23	67859	1	Receiver Kit – PS
7	67556-2	1	Lower Lift Frame	24	66451	2	3/4-10 x 6 Hex Cap Screw G5
8	67845	1	Stand Assembly – DS	25	44727	1	Stacking Stop Kit
9	67846	1	Stand Assembly – PS	26	49645	2	1 x 4-3/4 Clevis Pin Kit
10	67847	2	Stand Shoe Kit	27	67842-1	1	Pivot Bar Kit
11	67635	2	1/4 x 2 Roll Pin BP	28	67855	1	Pivot Bolt Kit
12	67844	2	Stand Lock Pin Kit	29	49033	2	1/4 Grade 43 Chain Assembly
13†	69689	1	Label – SECURITY GUARD™	30	90601	4	1/4 x 1-1/2 Cotter Pin
14	44545-2	1	Upper Lift Frame	31	22260	4	1 x 4-3/4 Clevis Pin
15	44729-1	1	Upper Lift Frame Fastener Kit	32	68675	2	Label, UltraLock Double-Acting Cylinder
16	67850-2	1	Lift Arm Kit				
<b>Item 5</b>				<b>67843 Pivot Plate Service Kit</b>			
33	67707	1	Pivot Plate A	36	90127	2	5/8-11 x 1-1/2 Hex Cap Screw G5
34	67708	1	Pivot Plate B	37	91337	6	5/8-11 Hex Locknut GB
35	5572	4	5/8-11 x 2 Carriage Bolt G5				
<b>Item 15</b>				<b>44729-1 Upper Lift Frame Fastener Kit</b>			
38*		4	3/8-16 x 4 Hex Cap Screw G8	41	91333	4	3/8-16 Hex Locknut GB
39**	44413	4	3/8-16 x 4-1/2 Hex Cap Screw G8	42		4	Plate, Upper Lift Frame
40	90315	8	3/8 Flat Washer				
<b>Item 16</b>				<b>67850-2 Lift Arm Kit</b>			
17	93063K	2	3/4 x 3-1/4 Clevis Pin Kit	43		2	Round Flat Washer, Special
18	91911K	3	5/32 x 1-1/2 Cotter Pin Kit	44	68740	1	3/4 x 3-1/2 Clevis Pin Kit
19	91147	3	3/4 Flat Washer	48		1	Lift Arm
<b>Item 25</b>				<b>44727 Stacking Stop Kit</b>			
		2	Stacking Stop	40	90315	8	3/8 Flat Washer
39	44413	4	3/8-16 x 4-1/2 Hex Cap Screw G8	41	91333	4	3/8-16 Hex Locknut GB
<b>Item 27</b>				<b>67842-1 Pivot Bar Kit</b>			
		1	Pivot Bar	28	67855	1	Pivot Bolt Kit
<b>Item 28</b>				<b>67855 Pivot Bolt Kit</b>			
		1	1-8 x 7 Hex Cap Screw G5	46	91340	1	1-8 Hex Locknut GB
45	67748	1	1-8 Hex Jam Nut G5				
<b>Item 29</b>				<b>49033 1/4 Grade 43 Chain Assembly (2 per plow)</b>			
		1	1/4 x 42 Grade 43 Chain	47	90571	1	3/8-16 x 1-1/2 U-Bolt
41	91333	2	3/8-16 Hex Locknut GB				
ns = not shown				G = Grade			

† Not used for Central Hydraulics.

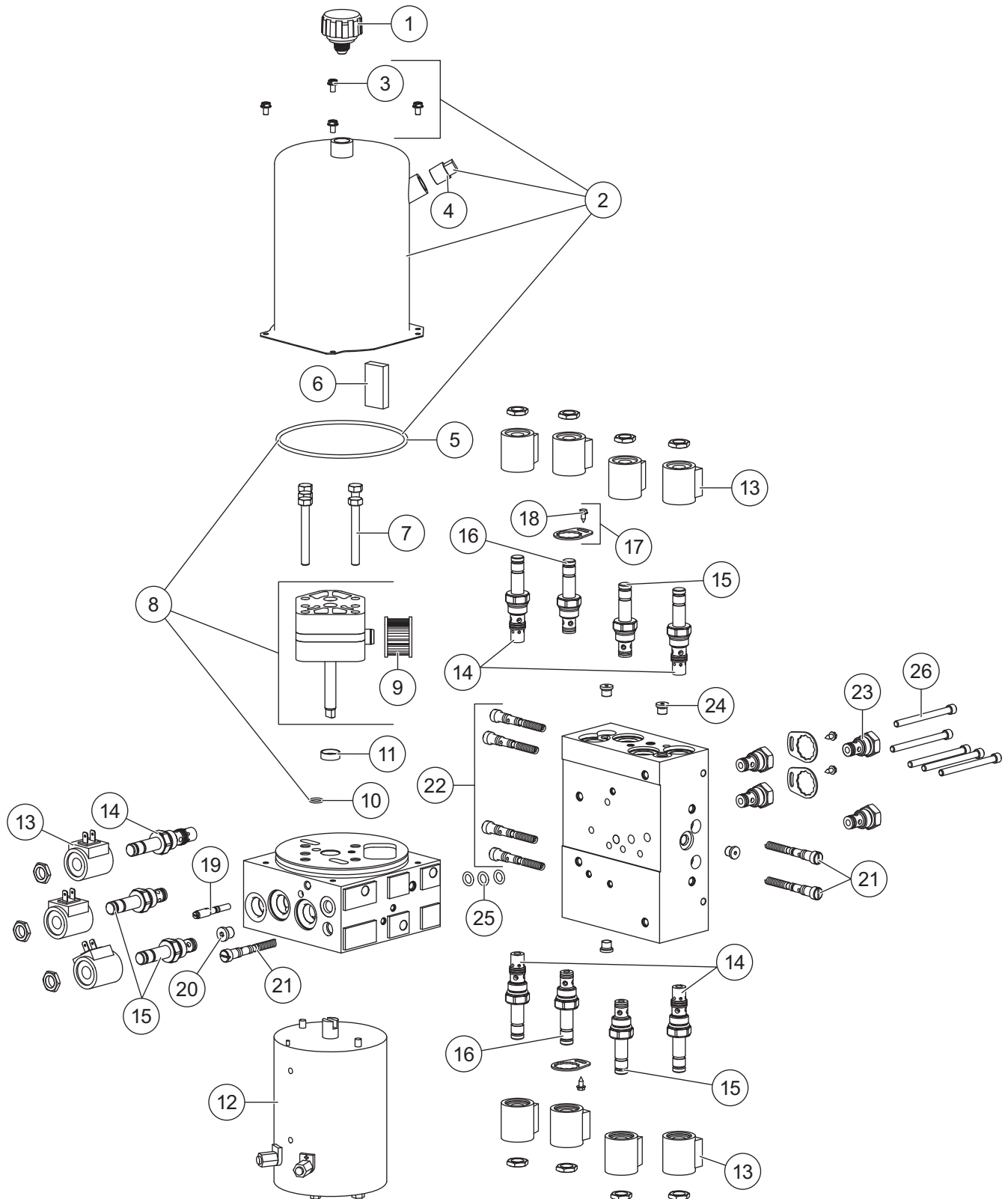
\* Without Stacking Stops (Configuration 1, 2 or 3)

‡ Four (4) 3/4-10 x 2-1/2 Hex Cap Screws (PN 90459) are required when pairing T-frame (PN 44546-2) with a pushbeam with round holes.

\*\* With Stacking Stops (Configuration 4)

# MVP PLUS™ H,L&T CENTER ASSEMBLY 74225

## Hydraulic Unit Components





## MVP PLUS™ H,L&T CENTER ASSEMBLY 74225

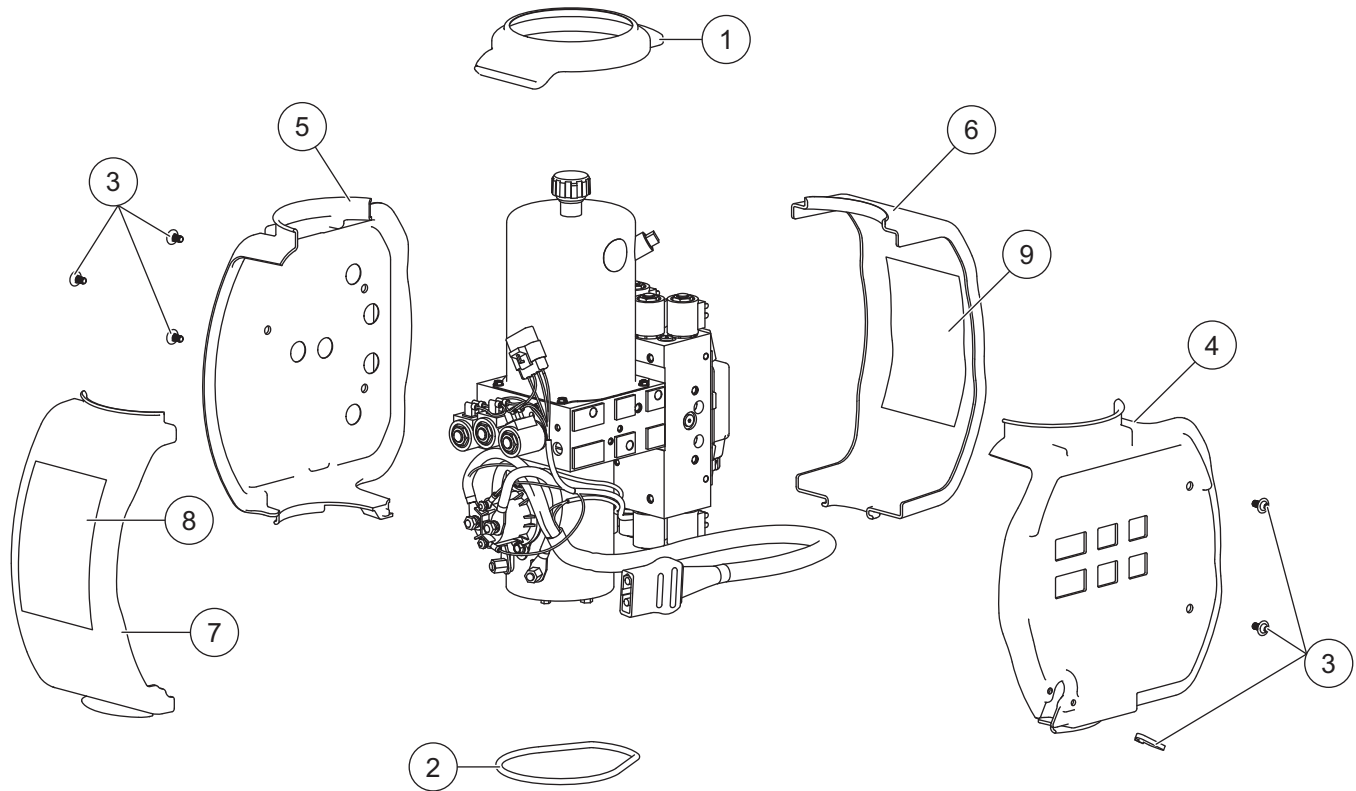
<b>44320 Hydraulic Unit MVP PLUS</b> <b>48257 Hydraulic Unit Service Kit MVP PLUS*</b> <b>(Not used for Central Hydraulics)</b>							
Item	Part	Qty	Description	Item	Part	Qty	Description
1	21727-2K	1	Breather Pressure Control	18	63943	4	8-18 x 3/8 Tapping Screw
2	44327-1	1	Reservoir Kit	19	56662	1	Quill Assembly 5/16-24 Thread
3	66607	4	10-24 x 5/16 Machine Screw		48517	1	Quill Assembly 1/2-20 Thread
4	92079	1	Plug, Square 3/8 NPTF	20	44344	1	Plug, Hex Socket –4 M ORB
5	66519	1	O-Ring – 2-250	21	49138K-3	1-1/2	Relief Valve Kit (2 sets)
6	73897	1	Magnet	22	44338	2	Relief Valve Kit (2 sets)
7	90080	5	5/16-18 x 2-1/2 Hex Cap Screw G5	23	44334-1	4	Check Valve CV08-20
8	44328-1	1	Pump Kit	24	92960	4	Plug, Hex Socket –3 M ORB
9	56789-3	1	Suction Filter	25	29077	3	O-Ring – 110
10	56274	1	O-Ring – 013	26	29081	5	1/4-20 x 3 Socket Cap Screw
11	66515	1	Pump Shaft Seal	ns	29099	2	1/4-20 x 1/4 Hex Washer-Head Thread-Rolling Screw
12	21500-1	1	Motor Assembly, 4-1/2"	ns	44326	1	1/4-20 x 1/2 6-Lobe Round Washer-Head Screw (pkg of 5)
13	49230K-2	11	Coil w/Spade Terminals	ns	44355	2	1/4-20 x 5/8 Hex Washer-Head Thread-Rolling Screw
14	44332	5	Valve SVCV08-20 w/Nut				
15	49227K-2	4	Valve SV08-2004 w/Nut				
16	44336	2	Valve SF08-2015 w/Nut				
17	44369	4	Valve Lock Ring w/Screw				
<b>O-Ring Service Kits</b>							
–	56657-3	–	Back-Up/O-Ring Kit**	–	49259-2	–	Seal Kit – Valves SV08-30, 31, 33, 40, 43 and SVCV08-20
–	49258-2	–	Seal Kit – Valves SV08-2004, CV08-20, SF08-2015				
ns = not shown				G = Grade			

\* Includes 44320 Hydraulic Unit, 44325 Cover Assembly (p. 10) and Plow-Side Electrical Components (p. 12).

\*\* Does not contain O-rings for cartridge valves.

# MVP PLUS™ H,L&T CENTER ASSEMBLY 74225

## Hydraulic Unit Cover Assembly



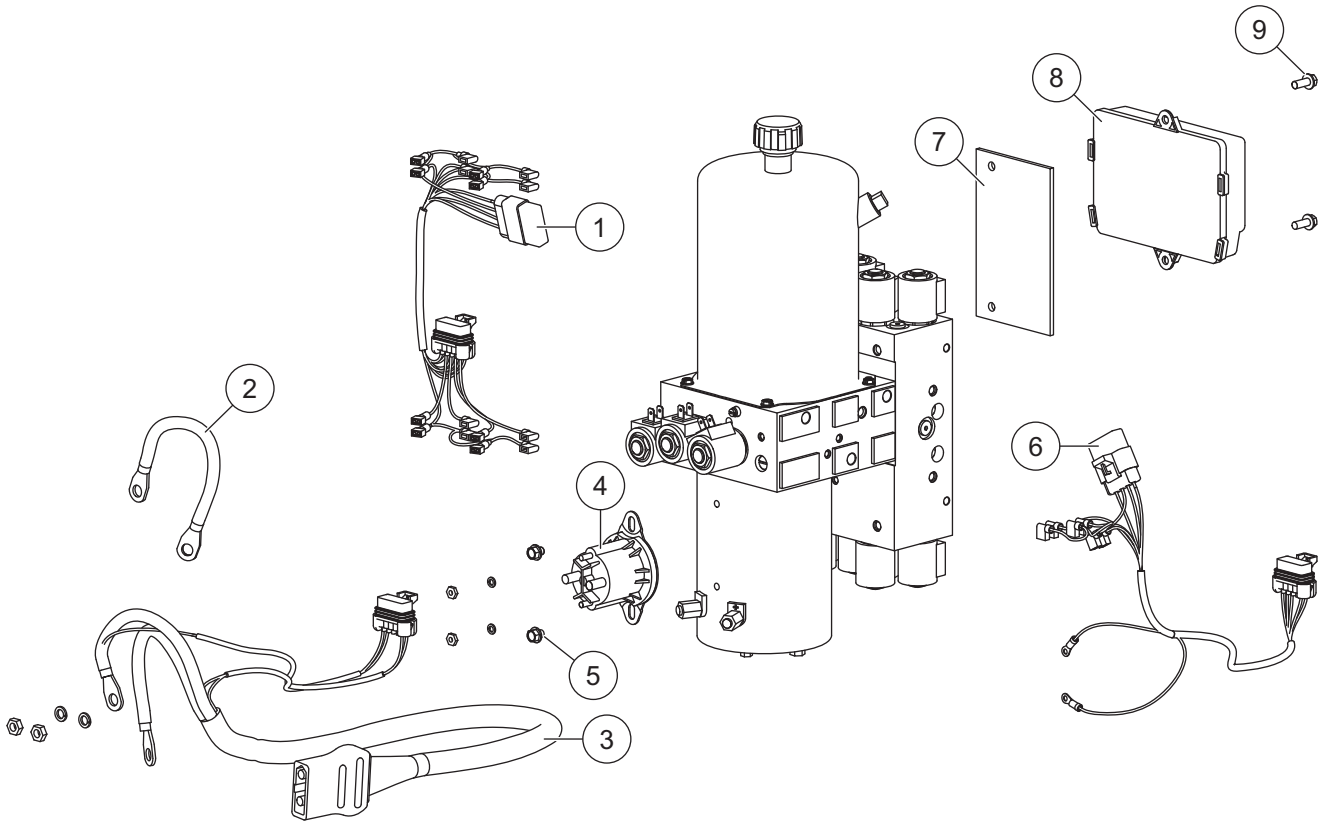
44325 Cover Assembly							
Item	Part	Qty	Description	Item	Part	Qty	Description
1	44352	1	Top Retainer Ring	6		1	Cover Side 03
2	44366	1	Bottom Retainer Ring	7		1	Cover Side 04
3	44326	1	1/4-20 x 1/2 6-Lobe Round Washer-Head Screw (5-Pack) w/8" Cable Tie	8	44310	1	Label - Information (S1-S3)
4		1	Cover Side 01	9	44319	1	Label - Information (S4-S11)
5		1	Cover Side 02	ns	61536	1	Cable Tie - 14"
				ns	44414	1	Label - Identity

ns = not shown



# MVP PLUS™ H,L&T CENTER ASSEMBLY 74225/75225(CH)

## Electrical Components



Plow-Side Electrical Components							
Item	Part	Qty	Description	Item	Part	Qty	Description
1	28583	1	Harness Plow Control 8-Solenoid	7	44308	1	Spacer Module
2	29071	1	Cable Assembly 8"	8	44354-3	1	Plow Module
3	42015	1	Snowplow Battery Cable	9	44355	2	1/4-20 x 5/8 Hex Washer-Head Thread-Rolling Screw
4	42902	1	Motor Relay Kit FLEET FLEX System	ns	61246	1	Cable Boot
5	29099	2	1/4-20 x 1/4 Hex Washer-Head Thread-Rolling Screw	ns	56099	1	Dielectric Grease
6	28581-1	1	Harness Plow Control 3-Solenoid				
Vehicle-Side Electrical Components							
* †	42014	1	Vehicle Battery Cable	ns**	26498	1	Vehicle Control Harness – Central Hydraulics
* †	28587	1	Vehicle Control Harness				
ns	61548K	1	Plug Cover Kit				

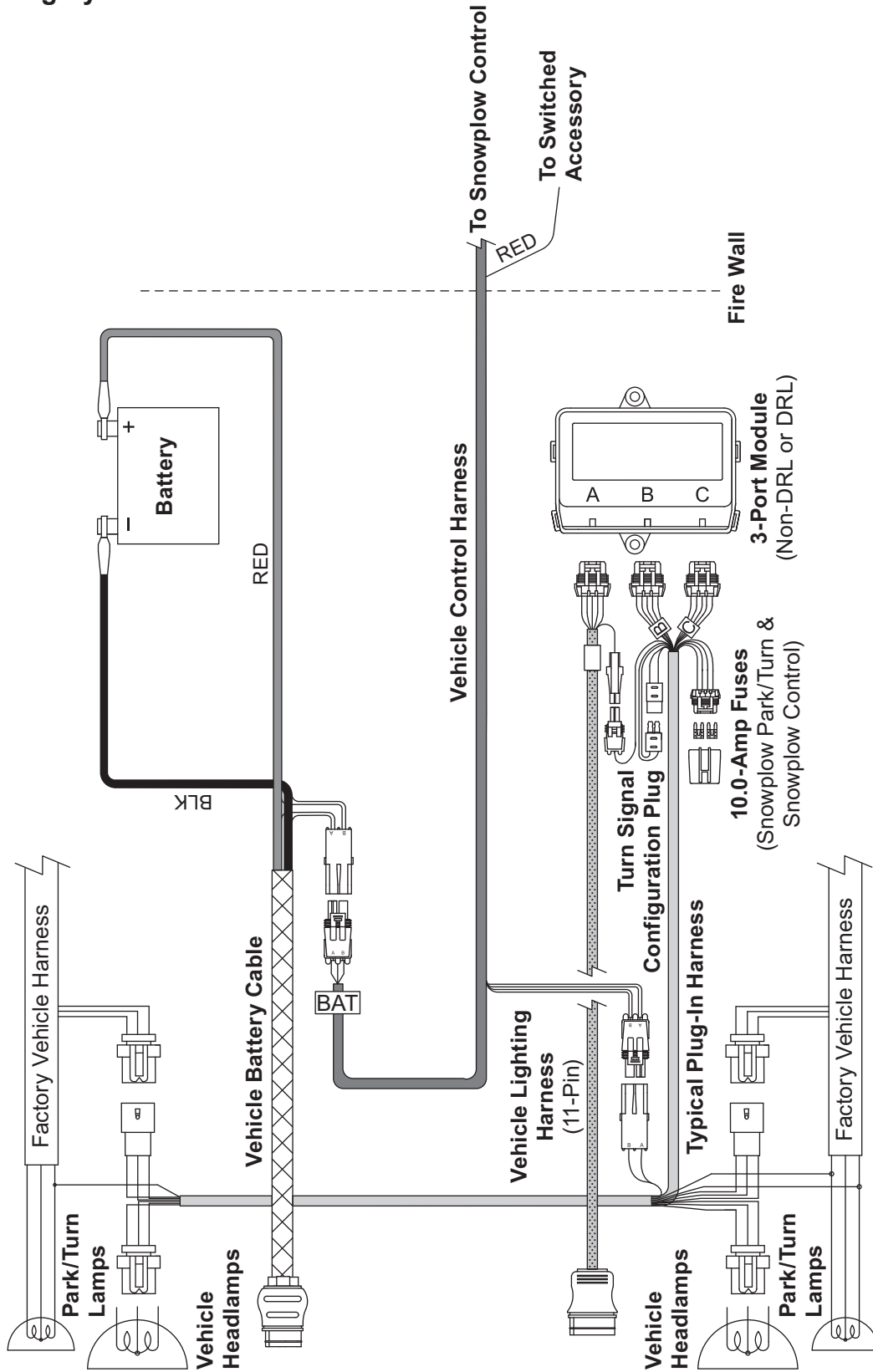
ns = not shown

\* For diagram, see Vehicle-Side Harness Diagram.

\*\* For diagram, see Vehicle-Side Harness Diagram – Central Hydraulics.

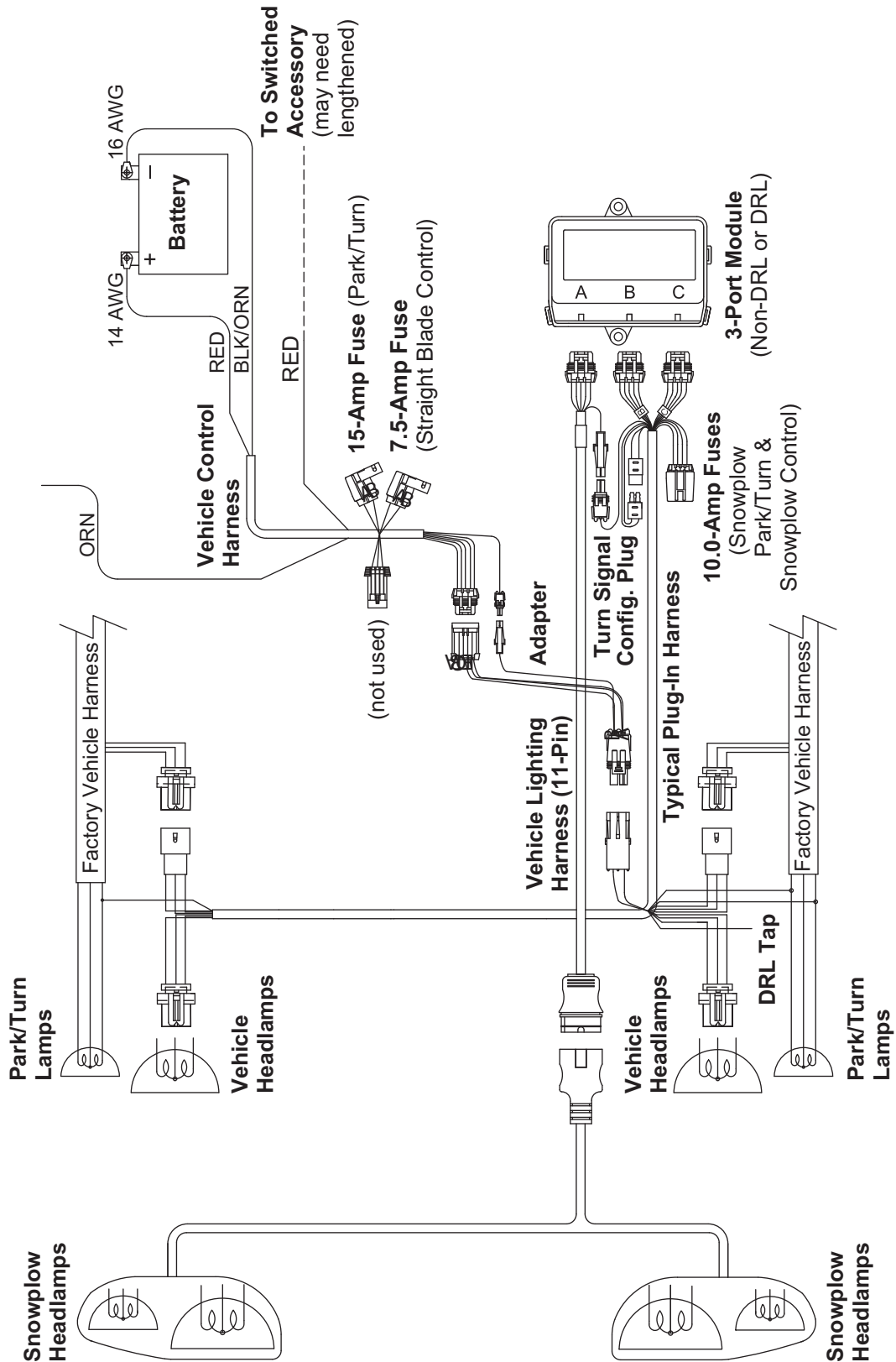
† Not used for Central Hydraulics.

Vehicle-Side Harness Diagram  
3-Port, 2-Plug System



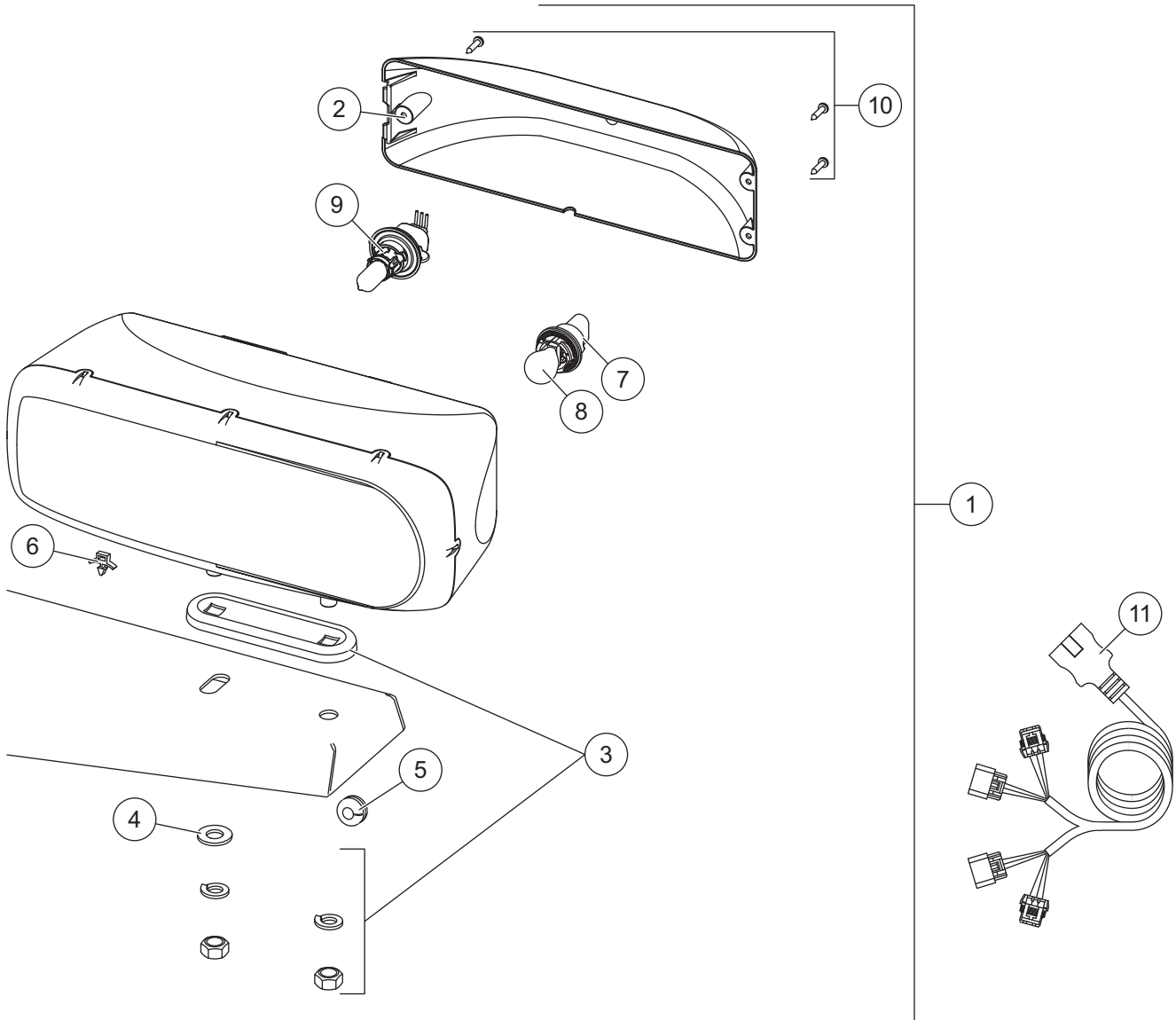
# MVP PLUS™ H,L&T CENTER ASSEMBLY 75225(CH)

## Vehicle-Side Harness Diagram – Central Hydraulics



# MVP PLUS™ H,L&T CENTER ASSEMBLY 74225/75225(CH)

## Headlamp Kit



**28800-1 Headlamp Kit (Pair)**

Item	Part	Qty	Description	Item	Part	Qty	Description
1	28801-1	1	Headlamp Service Kit DS	6	56595	7	Cable Tie Anchor
ns	28802-1	1	Headlamp Service Kit PS	7	28805	2	Park/Turn Socket Service Kit
2	28803-1	2	Rear Cover Kit (fits 2- or 3-screw)	8		2	Park/Turn Bulb (trade no. 4157NAK)
3	28804	2	Mounting Hardware Kit	9	28806	2	H13 Headlamp Bulb Service Kit
4	4433	2	1/2 Flat Washer – Type B, Wide	10	28808-1	2	Cover Screws Service Kit (pkg of 3)
5	66130	2	Rubber Grommet	11	28213W	1	Harness Service Kit

ns = not shown



Western Products  
PO Box 245038  
Milwaukee, WI 53224-9538  
[www.westernplows.com](http://www.westernplows.com)

 A DIVISION OF DOUGLAS DYNAMICS, LLC

Copyright © 2013 Douglas Dynamics, LLC. All rights reserved. This material may not be reproduced or copied, in whole or in part, in any printed, mechanical, electronic, film or other distribution and storage media, without the written consent of Western Products. Authorization to photocopy items for internal or personal use by Western Products outlets or snowplow owner is granted.

Western Products reserves the right under its product improvement policy to change construction or design details and furnish equipment when so altered without reference to illustrations or specifications used. Western Products or the vehicle manufacturer may require or recommend optional equipment for snow removal. Do not exceed vehicle ratings with a snowplow. Western Products offers a limited warranty for all snowplows and accessories. See separately printed page for this important information. The following are registered (®) or unregistered (™) trademarks of Douglas Dynamics, LLC: CONTRACTOR GRADE®, MVP PLUS™, ULTRAFINISH™, UltraMount®, WESTERN®.

**Printed in U.S.A.**