

Installation Instructions

TGS06 Salt Spreader

Safety Precautions

WARNING

Observe the following Safety Precautions before, during and after operating this spreader. By following these precautions and common sense, possible injury to persons and potential damage to this machine may be avoided.

1. Read this entire Installation Instruction before operating this spreader.
2. Read all safety decals on the spreader before operating.
3. Verify that all personnel are clear of the spreader spray area before starting or operating this spreader.
4. Do not adjust, clean, lubricate or unclog material jams without first turning off the spreader.
5. Make sure the spreader is securely fastened to the vehicle in accordance with this manual.
6. Do not operate a spreader that is in need of maintenance or repairs.
7. Always disconnect the battery before removing or replacing electrical components.

Spreader Assembly

Check contents of box against parts list to make sure all components are included. When ordering replacement or spare parts refer to parts list (*figures 8 and 9*) for part numbers.



SPREADER WARRANTY

This warranty replaces all previous warranties and no employee of this company is authorized to extend additional warranties, or agreements, or implications not explicitly covered herein.

Buyers Products Company warrants all parts of the product to be free from defects in material and workmanship for a period of one (1) year. Parts must be properly installed and used under normal conditions. Normal wear is excluded.

Any part, which has been altered, including modifications, misuse, accident, or lack of maintenance will not be considered under this warranty.

The sole responsibility of Buyers Products Company under this warranty is limited to repairing or replacing any part(s), which are returned, prepaid, 30 days after such defect is discovered, and returned part(s) are found to be defective by Buyers Products Company.

Authorization from Buyers Products Company must be obtained before returning any part. The following information must accompany defective parts returned to Buyers Products Company: RMA #, spreader model, serial number, date installed, and distributor from whom purchased.

Buyers Products Company shall not be liable for damage arising out of failure of any unit to operate properly, or failure, or delay in work, or for any consequential damages. No charges for transportation or labor performed on any part will be allowed under this warranty.

1. Assemble and install Hitch Adjuster to spreader assembly. Refer to Fig. 1.

- Insert and align hitch adjuster **28** between mounting brackets as shown.

- Assemble hardware (2) 1/2"-13 x 3.5" bolts **39**, (4) 1/2" washers **40**, and (2) 1/2"-12 jam nuts **41**.
- Hand tighten hardware at this time.

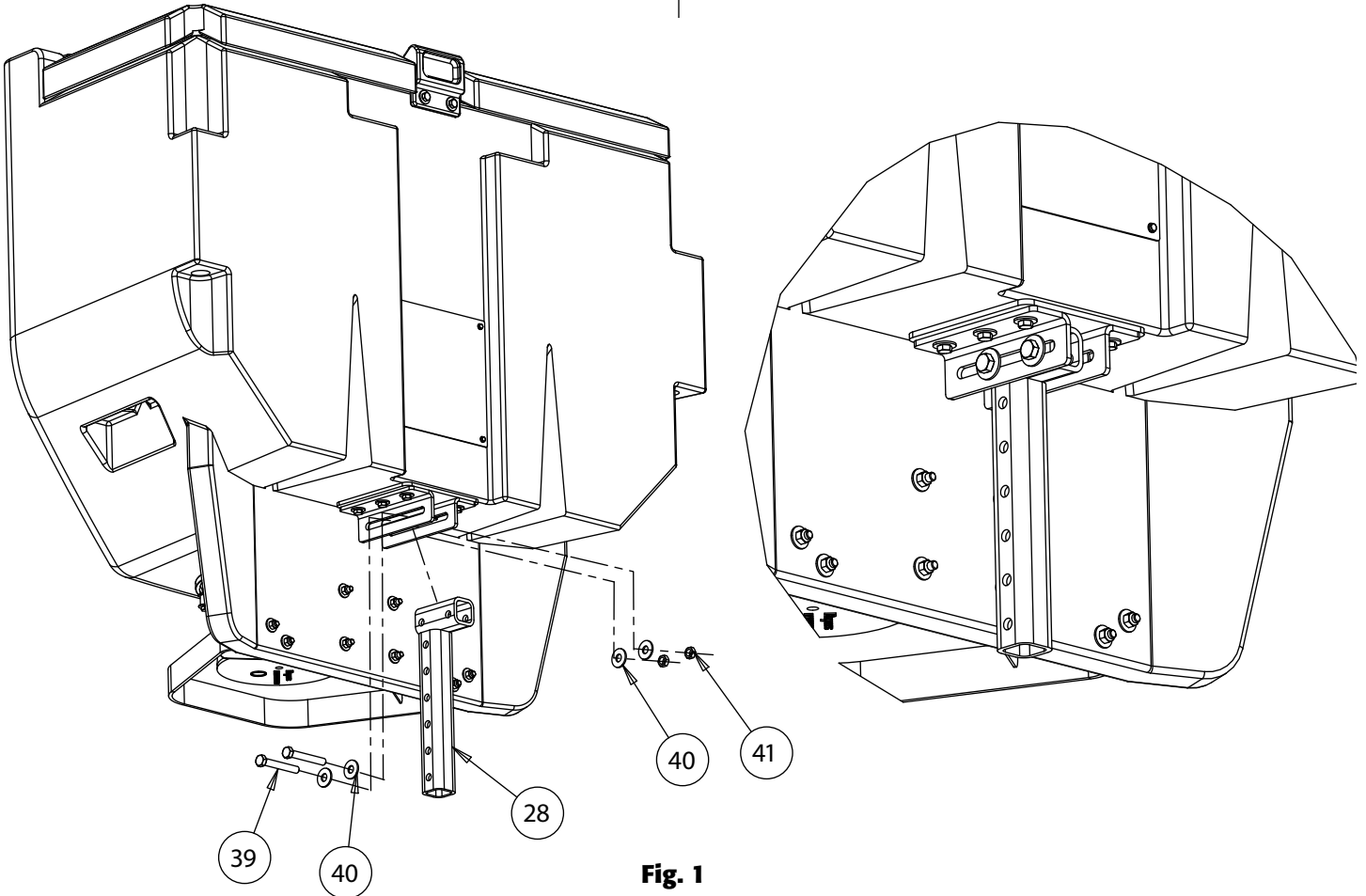


Fig. 1

SaltDogg

by **Buyers**



2. Assemble and install Hitch Receiver to Vehicle

Option A (hitch assembly) suggested

Refer to Fig. 2A

- Insert hitch receiver **27** into hitch of vehicle as shown with slots in vertical tube portion pointing towards the ground.

Select one of the three mounting holes, insuring opening in vertical tube is not obstructed by bumper.

- Insert hitch pin **37** and secure with cotter pin **38**.
- This mounting hole location may change later in the assembly.

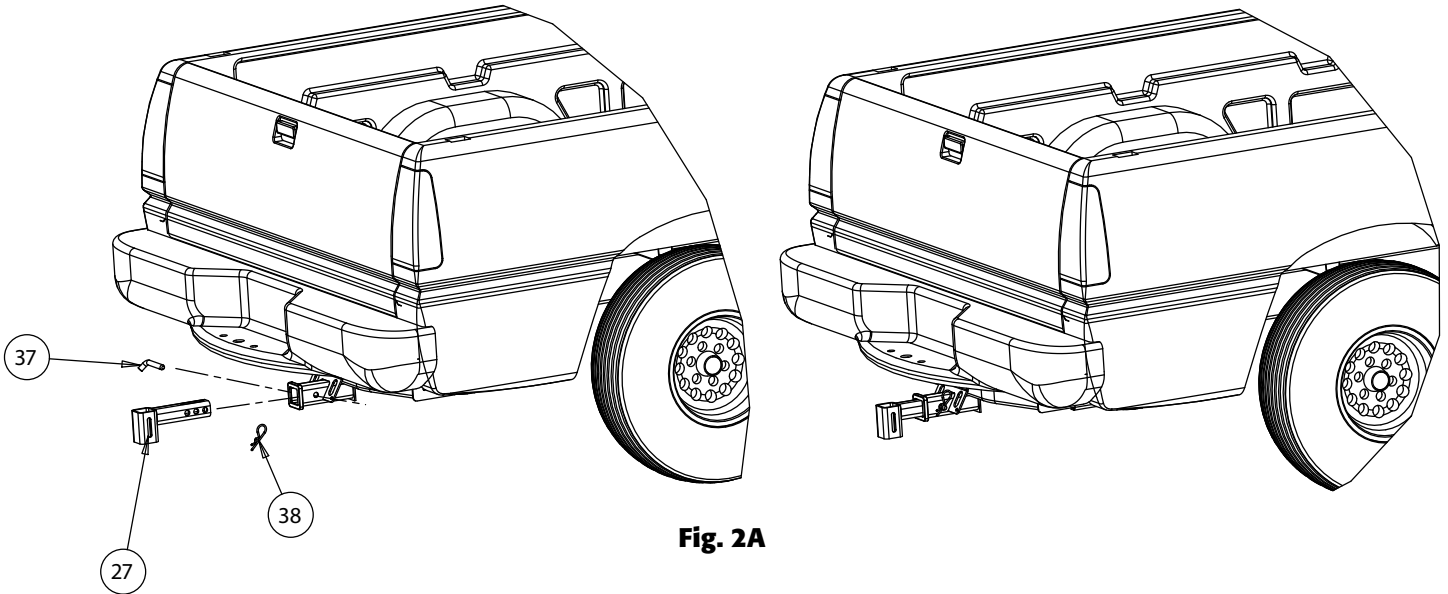


Fig. 2A

Option B (bumper assembly) Refer to Fig. 2B

- Align hitch receiver **27** with precut hole (ball mount hole) on factory bumper with slots in vertical tube portion pointing towards the ground. Slide vehicle tube as close to bumper as possible.

Note: On some vehicles the bumper may have a plastic liner

covering the bumper and ball mount hole. In this situation, the plastic liner may need to be cut to gain access to ball mount hole.

- Insert hardware, (1) 5/8"-11 x 5" bolt **42**, (2) 5/8" washers **43**, and (1) 5/8"-11 nut **44**.
- Hand tighten hardware at this time.

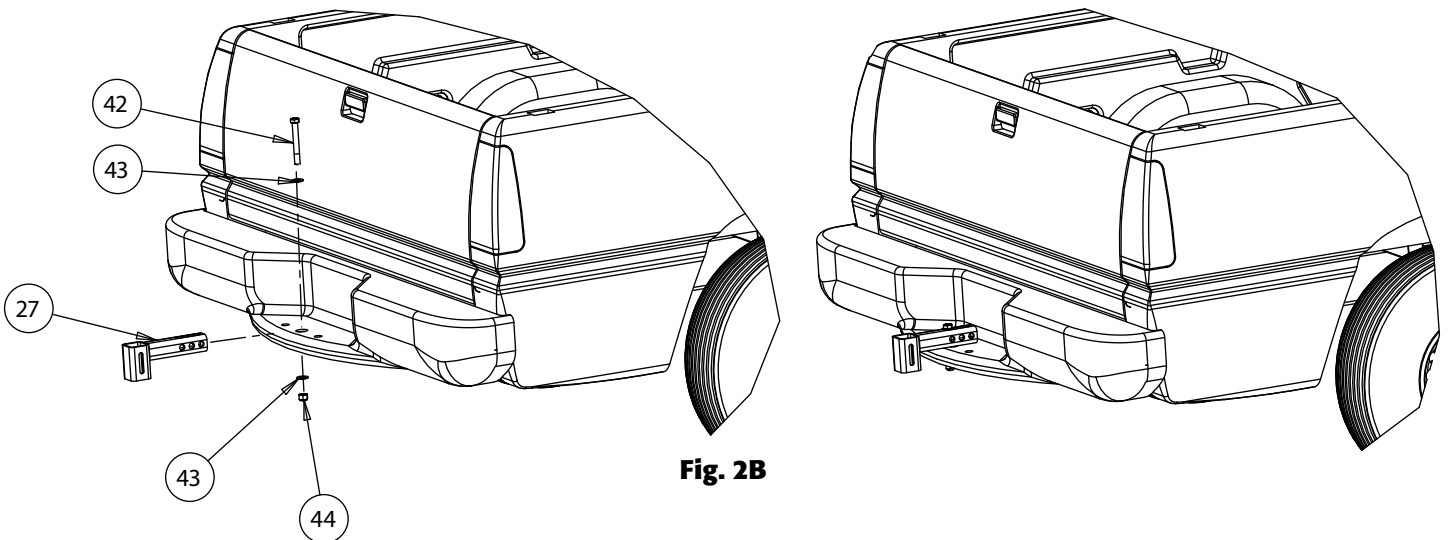
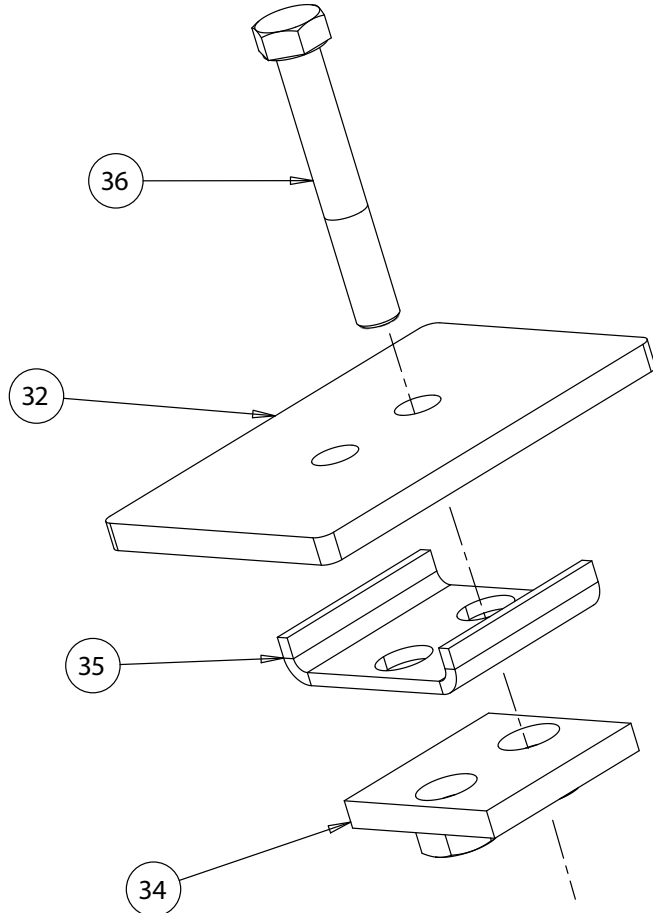


Fig. 2B

3. Assemble Stake Pocket Mounts Refer to Fig. 3

Assemble two stake pocket mounts as shown using (1) cover plate **32**, (1) retainer nut plate **34**, (1) retainer plate **35**, and (1) 3/8"-16 x 2 1/2" bolt **36**.



- Insure "U" portion of retainer plate is facing up, or towards cover plate.
- Thread bolt into retainer nut plate using 2-2 1/2 turns. This bolt will be tightened once inserted into stake pocket of truck.

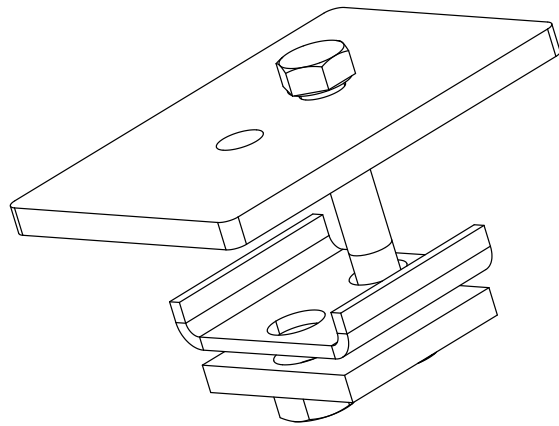


Fig. 3

4. Insert Stake Pocket Mounts Refer to Fig. 4

Install assemblies into stake pockets with the empty holes towards the tailgate of the vehicle.

- Insure "U" portion of the retainer plate securely engages sheet metal of truck bed.
- Hand tighten hardware only.

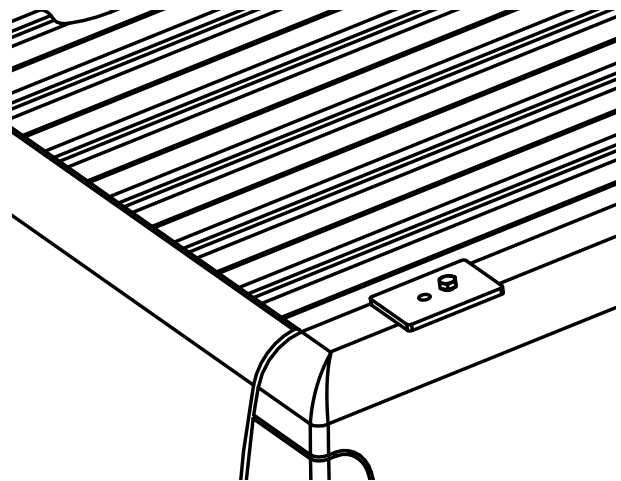
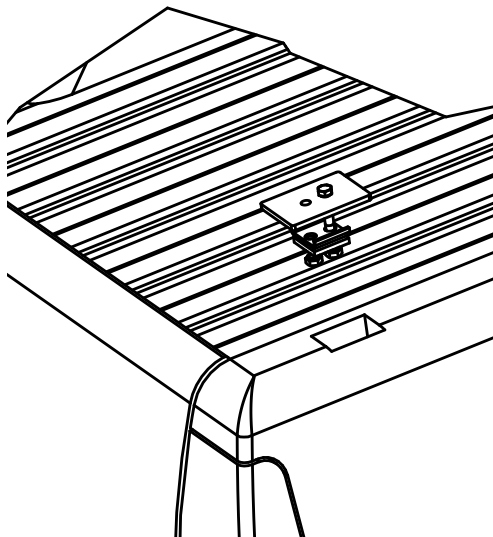


Fig. 4

5. Install Spreader Assembly to Vehicle

Refer to Fig. 5

- Lift and align the spreader so that the adjuster hitch aligns with the hitch receiver. Allow spreader to rest on hitch receiver and bumper of vehicle. It may be necessary for two people to perform the lifting of the spreader.

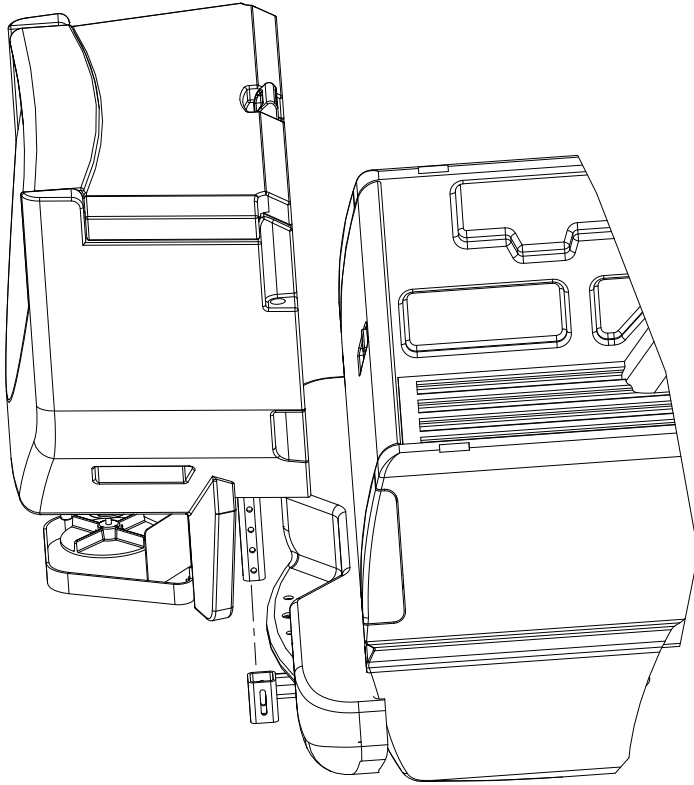


Fig. 5

6. Install Stake Pocket Straps Refer to Fig. 6

- Insert (2) stake pocket straps **26** into holes located in spreader.
- Rotate straps until aligned with empty holes on stake pocket covers. You may need to pull the spreader towards the tailgate to align straps to the best suited hole.
- Insert (2) 3/8"-16 x 2 1/2" bolts **36** and (2) spacers **33** as shown.
- Hand tighten hardware only.
- Adjust spreader location for best fit. Tighten all hardware. Check all fasteners periodically to ensure they are tight.

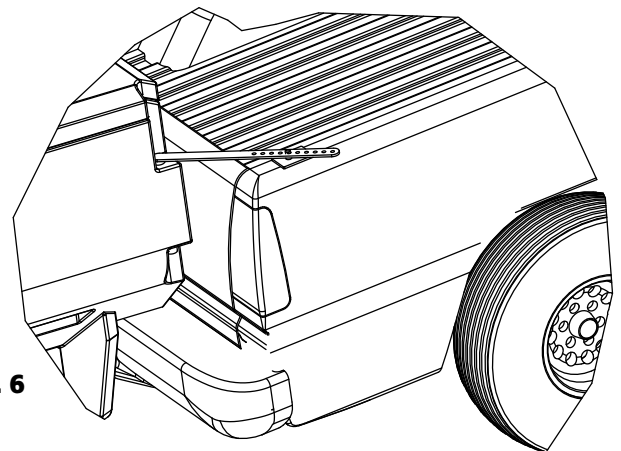
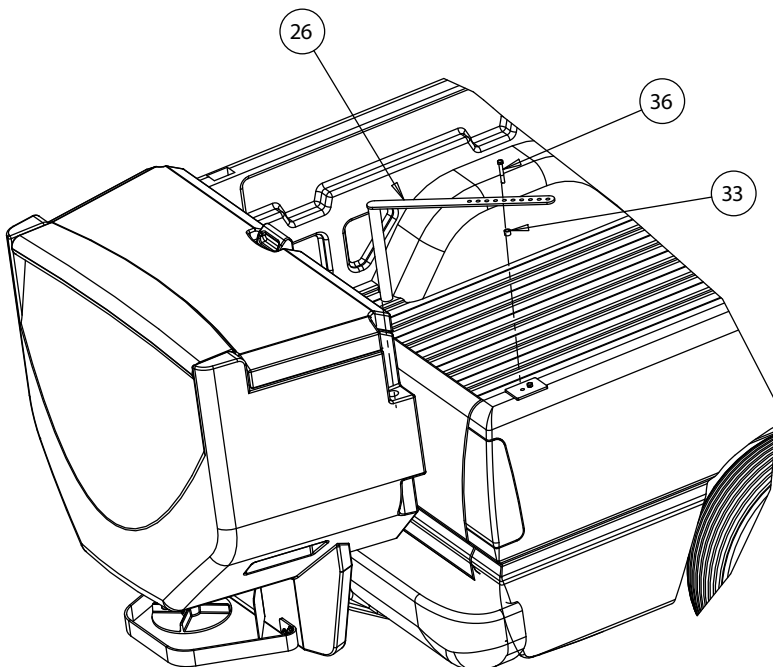


Fig. 6

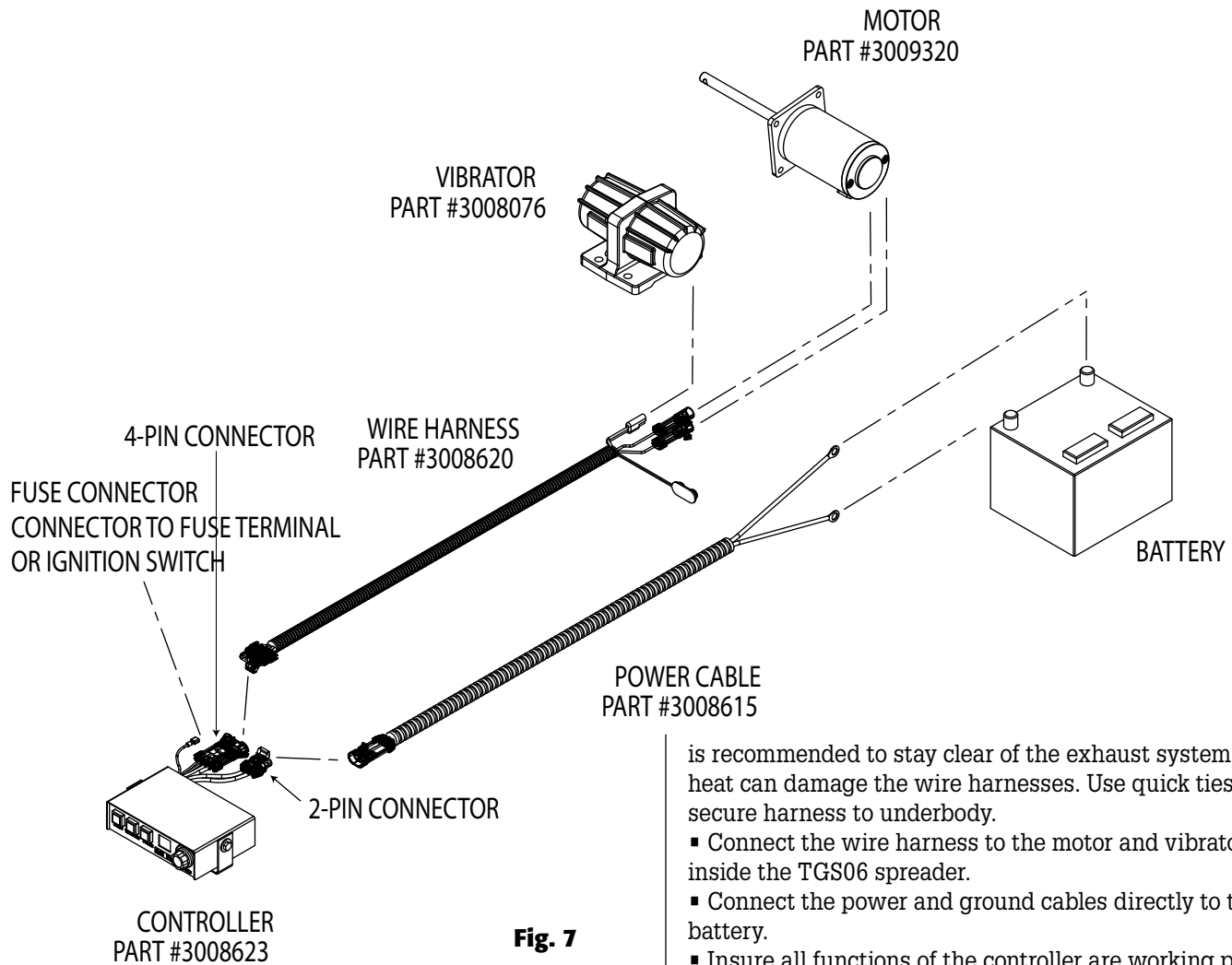


Fig. 7

7. Installing Controller and Wiring Diagram

Refer to Fig 7.

- **NOTE: Always disconnect battery before attempting to install electrical components on your vehicle.**
- Mount the controller in a convenient location in the truck cab. It is recommended not to mount the controller directly in front of heat vents.
- Route both wire harnesses into truck cab through firewall (it maybe necessary to drill holes). Insulate hole to avoid water leaks.
- Insure no wires are nicked or damaged during installation.
- Connect the 4-pin connector on the wire harness to the control box.
- Connect the 2-pin connector on the power cable to the control box.
- Connect fuse connector to the fuse terminal or ignition switch.
- Lay out a path for the power cable to the battery, use quick ties to secure power cable. **DO NOT CONNECT TO BATTERY AT THIS TIME!**
- Lay out path for wire harness to the rear of the vehicle. It

is recommended to stay clear of the exhaust system. Excess heat can damage the wire harnesses. Use quick ties to secure harness to underbody.

- Connect the wire harness to the motor and vibrator located inside the TGS06 spreader.
- Connect the power and ground cables directly to the battery.
- Insure all functions of the controller are working properly.
- *Note: direction of spinner may be changed by interchanging the motor leads.*

8. Operating Instructions

- Ensure flow gate is in closed position.
- Caution: when filling hopper, make certain there are no large objects contained in the material which could cause the spinner to bind and stop operation of the spreader motor.
- Fill hopper with #1 rock salt or calcium chloride from bags. **DO NOT USE BULK MATERIAL.** All material must have the same crystal size as #1 rock salt.
- Slide flow gate to desired opening for material flow.
- **NOTE:** Different materials will have different flow rates.

9. Maintenance Instructions

- Occasionally inspect spreader for loose bolts and nuts.
- Inspect for broken wires, frayed or cracked insulation.
- **Always remove salt from spreader after each use,** if salt is not removed, it will harden and no longer flow and stop normal operation.
- Inspect and clean flow gate and matting surfaces to remove any unwanted rock salt.

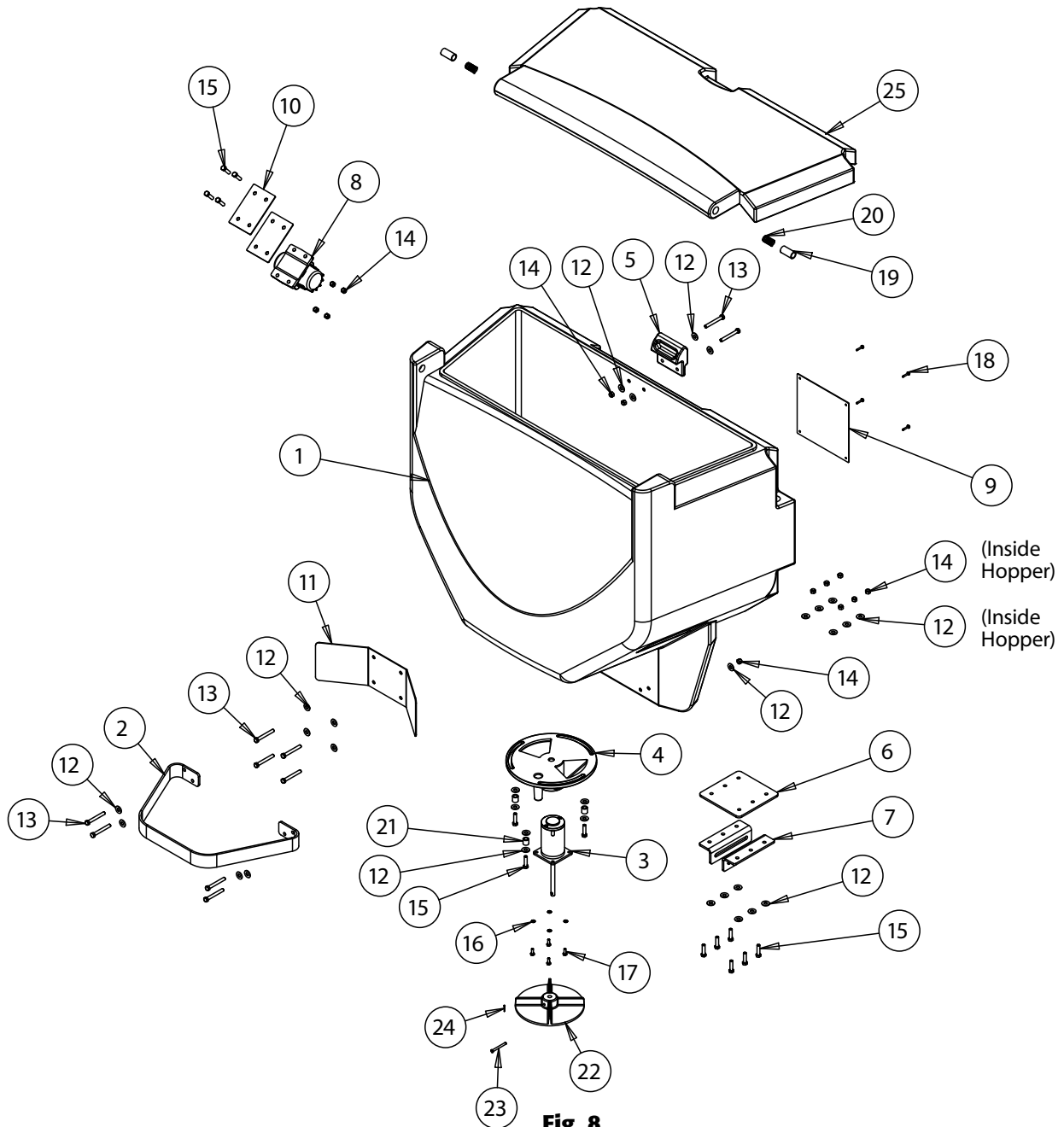


Fig. 8

Bill of Materials

ITEM	PART NO.	QTY.	DESCRIPTION
1	3010963	1	Hopper TGS06
2	3010965	1	Bumper TGS06
3	3009320	1	Motor, 12 VDC, 1000 RPM, 1/8 HP
4	3009323	1	Flowgate
5	3009404	1	Handle Hold Down
6	3009874	1	Plate Mounting
7	3009311	2	Mounting Bracket Hitch
8	3008076	1	Vibrator 80 lbs. 12 VDC
9	3009312	1	Plate Cover
10	3008043	2	Plate Vibrator Kit SST
11	3010966	1	Shield TGS06
12	-	40	Washer, Flat 3/8 USS SST
13	-	11	Cap Screw, Hex HD-38-16 x 3 SST

ITEM	PART NO.	QTY.	DESCRIPTION
14	-	21	Nut, Nylock 3/8-16 x 7/16 SST
15	-	13	Screw, Hex HD Cap 3/8-16 x 1 1/2 SST
16	-	4	Washer, 1/4" Split Lock SST
17	-	4	Screw Cap 1/4-20 x 3/4 SST
18	-	4	Screw, Sheet Metal #12x1.0 Hex Washer HD
19	3009319	2	Pin, Pivot Lid
20	3009324	2	Spring Pin Lid
21	3009317	3	Spring Gate TGS06
22	3010970	1	Spinner Poly TGS06
23	1420014	1	Pin Clevis, 1/4 x 2.5
24	-	1	Cotter Pin, 5/64 x 3/4
25	3010964	1	Lid TGS06

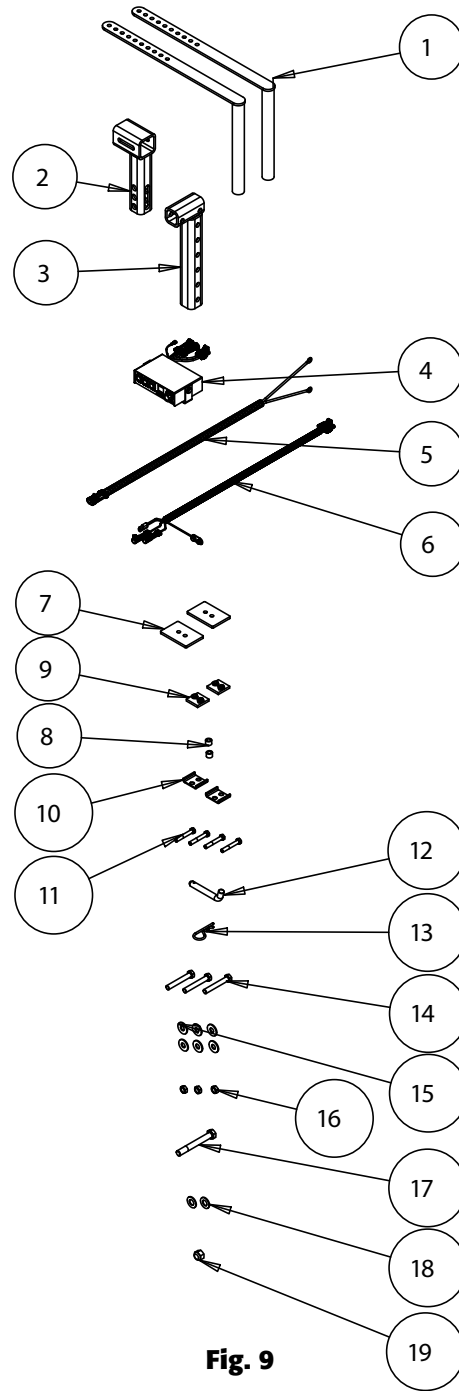


Fig. 9

Bill of Materials

ITEM	PART NO.	QTY.	DESCRIPTION
1	3009906	2	Assembly Stake Pocket Straps
2	3009872	1	Assembly Hitch Receiver
3	3009873	1	Adjuster, Hitch
4	3008623	1	Controller TGS w/Vibrator
5	3008615	1	Wire Harness, Power TGS
6	3008620	1	Wire Harness Main w/Vibrator TGS
7	3009869	2	Cover Plate, Stake Pocket
8	3010292	2	Spacer, Stake Pocket
9	3007795	2	Retainer Nut Plate
10	3007755	2	Plate Retainer

ITEM	PART NO.	QTY.	DESCRIPTION
11	-	4	Screw, HHC 3/8-16 x 2½ Gr 5 Zp
12	HP6253WC1	1	Pin, 5/8 Hitch
13	HP12D	1	Pin, Hair Cotter
14	-	3	Screw, HH 1/2-13 x 3.5 Gr 5 Zn
15	-	6	Washer, Flat .500 x 1.38 x .14 Zn
16	-	3	Nut, 1/2-13 Hex Jam Gr 8 Yellow Zinc
17	-	1	Screw, HH Cap 5/8-11 x 5.0 Gr 8 Zn Spcl
18	-	2	Washer, 5/8 SAE Flat Zn
19	-	1	Nut, Hex Nylock 5/8-11 SST