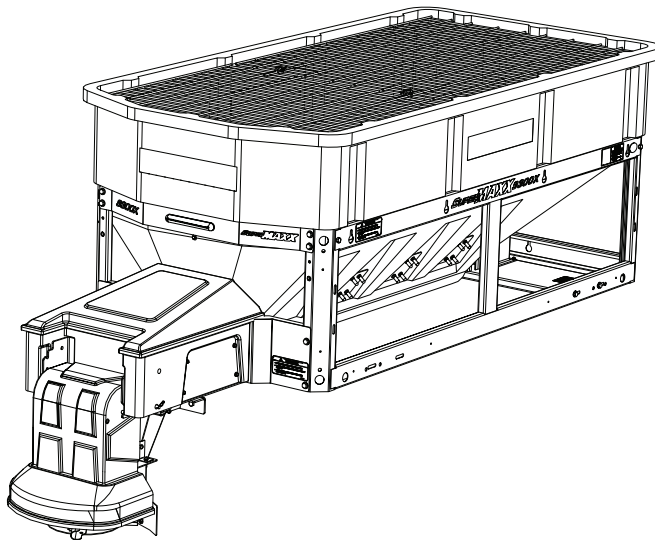


Owner / Operator's Manual

This Manual Must Be Read Before Operating The Equipment

SNOWEX[®]

LEADERS IN ICE CONTROL



SP-9300X

Serial No. Q2-100198 and higher

TRYNEX[®]
INTERNATIONAL

CUSTOMER COPY

Madison Heights, Michigan 48071
800-SALTERS
www.snowexproducts.com

General Information	3
Introduction	4
Safety	5
Warning Decal Positions	6-7
Operating Instructions	8-11
Wiring Instructions	12
Control Diagram	13-15
Electrical Components Diagrams	16-18
Mounting Instructions	12
Troubleshooting	21
Warranty	22
Key to Parts	23
Frame Assembly Parts Breakdown	24-25
Auger Drive Assembly Parts Breakdown	26-27
Hopper Assembly Parts Breakdown	28-29
Auger Extension Assembly Parts Breakdown	30-31
Spinner Drive Assembly Parts Breakdown	32-33
Grease Fitting Extension Parts Breakdown	34
Notes	35

Have a Question or Need Assistance?

SnowEx Customer Care

(800) SALTERS

or (248) 586-3500

Monday through Friday 8:00 AM to 4:30 PM EST

Fax: (248) 691-8378

E-mail: customercare@trynexfactory.com

Website: www.turfexproducts.com



CONGRATULATIONS!

The spreader you have purchased is an example of snow and ice control technology at its finest! Your spreader's self-contained design is a trademark of all SnowEx products. Here's why...

SIMPLICITY: Fewer moving parts manufactured of higher quality means minimal maintenance for your SnowEx spreader.

RELIABILITY: High impact linear low density polyethylene hopper. State-of-the-art electronic dual variable speed control, custom engineered powder coated frame, maximum torque 12-Volt motor coupled to a custom engineered transmission; found only on SnowEx products.

VERSATILITY: Multi-use capabilities allows spreading of a variety of materials for snow and ice control.

WARRANTY: Best in the industry, hands down! 2 years standard and now 5 year extended (optional).

The benefits you are about to recognize are that of time, money and effort.

We welcome you to the world of SnowEx Performance.

Registration

Record the following in this manual for quick reference.

Model Number

Serial Number

Control Board Serial Number

Handheld Control Pendant Serial Number

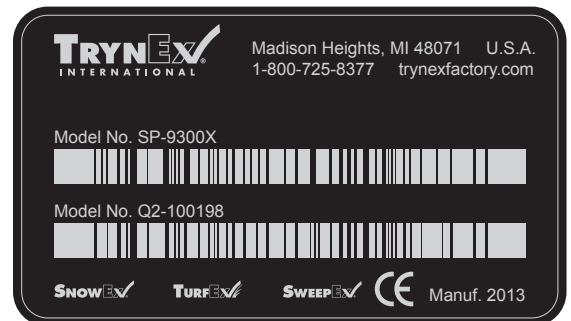
Date of Purchase

Dealer Where Purchased

When ordering parts, the above information is necessary. This will help to ensure that you receive the correct parts.

At the right is a diagram of the ID tag. This tag is located on the frame.

Please register your warranty with all the necessary information to validate it. This will give us a record so that any safety or service information can be communicated to you.



This manual has been designed for your help. It will assist you and instruct you on the proper set-up, installation and use of this product. Refer to the table of contents for an outline of this manual.

We require that you read and understand the contents of this manual completely (especially all safety information) before attempting any procedure contained in this manual. Extra copies of Owner/Operator's Manuals can be purchased at your SnowEx dealer.



THIS SIGN SHOULD ALERT YOU:

The Society of Automotive Engineers has adopted this Safety Alert Symbol to pinpoint characteristics that, if not carefully followed, can create a safety hazard. When you see this symbol in this manual or on the machine itself, be alert! Your personal safety and the safety of others is involved.

Defined below are the Safety Alert Messages and how they will appear in this manual:



DANGER

RED

Information that, if not carefully followed, can cause death.



WARNING

ORANGE

Information that, if not carefully followed, can cause serious personal injury or death.



CAUTION

YELLOW

Information that, if not carefully followed, can cause minor injury or damage to equipment.

Before attempting any procedure in this book, these safety instructions must be read and understood by all workers who have any part in the preparation or use of this equipment.

For your safety, warning and information decals have been placed on this product to remind the operator of safety precautions. If anything happens to mark or destroy the decals, please request new ones from SnowEx.

DANGER

Never exceed the Gross Vehicle Weight Rating of vehicle. Failure to do so may limit a vehicles handling characteristics.

Never attempt to take a unit off a truck with material in it.

Always keep hands, feet, and clothing away from power driven parts.

Unit must be pinned and locked into position before operating vehicle.

WARNING

Always shut off vehicle and power source before attempting to attach or detach or service unit. Be sure vehicle/power source is properly braked and chocked.

Remember most accidents are preventable and caused by human error. Exercising of care and precautions must be observed to prevent the possibility of injury to operator or others.

Never operate equipment when under the influence of alcohol, drugs, or medications that might alter your judgement and/or reaction time.

Before working with the spreader, secure all loose fitting clothing and unrestrained hair.

Always wear safety glasses with side shields when servicing spreader. Failure to do this could result in serious injury to the eyes.

Never allow children to operated or climb on equipment.

Always check areas to be spread to be sure no hazardous conditions or substances are in the area.

Always inspect unit for defects: broken, worn or bent parts, weakened areas on spreader.

Remember it is the owner's responsibility to communicate information on safe usage and proper maintenance of all equipment.

Always make sure personnel are clear of areas of danger when using equipment.

Never weld or grind on equipment without having a fire extinguisher available.

Inspect the unit periodically for defects. Parts that are broken, missing or worn out must be replaced immediately. The unit or any part of it can not be altered without prior written permission from the manufacturer.

Always inspect pins and latches whenever attaching or detaching spreader, and before operation of spreader.

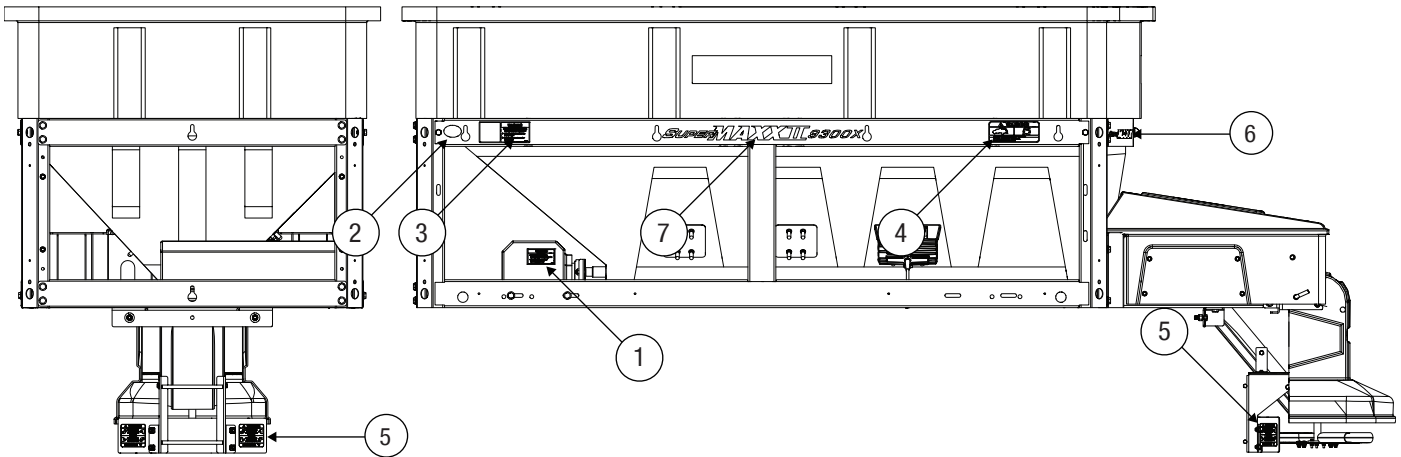
Never exceed 45 MPH when loaded spreader is attached to vehicle. Braking distances may be increased and handling characteristics may be impaired at speeds above 45 MPH.

CAUTION

Never use wet materials or materials with foreign debris with any spreader. The unit is designed to handle dry, clean, free flowing material.

Never leave material in hopper for long periods of time. Be aware that all ice melters are hygroscopic and will attract atmospheric moisture and harden up.

Warning Decal Positions



1 **WARNING**

- Keep hands, feet & loose clothing away from moving parts.
- Disconnect power before servicing equipment.


D6192

D6192

2 

MADE IN THE USA

D6243

3  **WARNING**

ROTATING AUGER CAN CAUSE SERIOUS INJURY OR DEATH

- Keep arms, hands, and loose clothing away from auger.
- Shut off control and unplug spreader before servicing.

D6335

D6335

4 **WARNING**



- DO NOT EXCEED GVWR OF VEHICLE
- DO NOT OVERLOAD SPREADER
- LOAD SPREADER EVENLY

D6546

D6546

5 **WARNING**

ROTATING PARTS CAN CAUSE SERIOUS INJURY OR DEATH

- ALWAYS DISCONNECT POWER WHEN NOT IN USE

ROTATING PARTS CAN CAUSE SERIOUS INJURY OR DEATH

- ALWAYS DISCONNECT POWER WHEN NOT IN USE

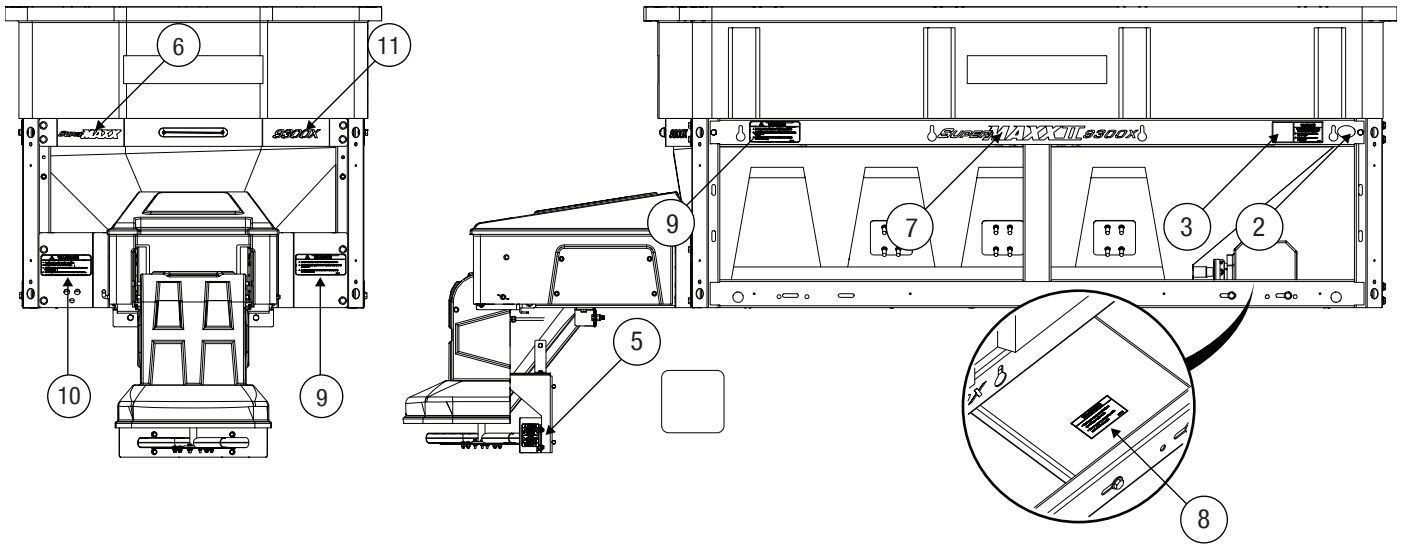
WARNING

F50645

6 **SUPERMAXX**

F50553

Warning Decal Positions



7 **SUPERMAXX II 9300X**

F51037

8 **WARNING**

- Read owners manual before operating equipment.
- Never remove spreader with material in hopper.

D6194

D6194

9 **DANGER**

- DO NOT REMOVE SPREADER WITH MATERIAL IN HOPPER
- FASTEN SPREADER DOWN WITH APPROVED RATCHET STRAPS AND BOLT KIT
- REAR FRAME LOCATOR BARS MUST BE IN PLACE BEFORE OPERATING VEHICLE

D6547

D6547

10 **WARNING**

- Read Owner's Manual for Installation Instructions.
- Secure spreader to truck with ratchet straps.
- Anchor spreader securely to truck body with bolt kit provided to prevent slipping or sliding.
- Routinely check straps and hardware to make sure they are secure.

D6548

D6548

11 **9300X**

F50554

USING CONTROL PENDANT

1. Push On/Off button.
2. Press the Start/Stop button. Auger and Spinner will begin to turn, spreading material.
3. Use dials on Control Pendant to adjust Material Distribution Shaft speed. This will change the spread rate at constant vehicle speed.
4. Press Start/Stop to stop spreading. Turn off Spreader by pushing the On/Off button.

LOADING THE SPREADER

Warning: Do not overload vehicle.

Use chart below to calculate weight of material. Weights of materials are an average for dry materials.

MATERIAL	WEIGHT PER CUBIC FOOT
Rock Salt	80-90 lbs.
Sand/Salt Mix	95-120 lbs.

Warning: Never leave material in hopper for long periods of time as salt is hygroscopic and will attract atmospheric moisture and harden up.

When spreading Sand/Salt Mix, a 1:1 ratio is recommended to prevent the material from freezing.

SPREADING TIPS

For a heavier pass:

- Decrease vehicle speed
- Increase Auger speed

For a lighter pass:

- Increase vehicle speed
- Decrease Auger speed

For a wider pass:

- Increase spinner speed

Spread ice melters with the storm to prevent unmanageable levels of ice.

Never exceed 10 miles per hour when spreading.

Calculate spread pattern when near vegetation and other vehicles.

Never operate spreader near pedestrians.

WARNING PROTECTION

- If audible beeping occurs, read display to identify problem.
- If display reads "OL" (overload) or "OH" (overheat), shut the controller down and carefully clear jammed auger.
- If display reads "E1" this means there is a dead short in the system. Do not use until problem is corrected.
- If the display reads "EO" this means the motor is not getting any power. Check all connections.
- If the display reads "LB" the vehicle battery is extremely low (possibly caused by a poor or corroded connection) and could damage the system.
- If there are any problems while operating the spreader, refer to Troubleshooting Guide.

AUTO-REVERSE “AR” FUNCTION

- If your controller displays “OL” this could indicate a jammed auger.
- To engage the Auto-Reverse “AR” Function:
 1. Push the On/Off button to turn controller OFF for 3 seconds
 2. Push the On/Off button again to turn power ON. When the machine starts back up, the AR sequence will automatically start and the auger will reverse for several rotations to clear the jam.
- After a pause of several moments, the auger will automatically return to correct rotation. If the jam is still not cleared, the controller will again display OL.
- You may repeat Steps 1 and 2 for a second and third time.
- If after the third try the controller displays OL, you must extract the material that is causing the problem.
- Follow all warning directions when clearing jams.

MAINTENANCE

Use dielectric grease on all electrical connections to prevent corrosion at the beginning and end of the season and each time power plugs are disconnected.

Wash unit after each use to prevent material build-up and corrosion.

Paint or oil all bare metal surfaces at the end of the season.

Apply small amount of light oil to latches as needed.

After first use, tighten all nuts and bolts on spreader and mount.

Grease bearings after every 20 hour's use.

WARNING

Vibrator is not designed for continuous duty. Allow motor to cool between long cycle times.

Do not modify vehicle or spreader wiring harness. Doing so will void product warranty.

When servicing is necessary, perform it in a protected area Do not use power tools in rain or snow because of danger of electrical shock or injury. Keep area well lighted. Use proper tools. Keep the area of service clean to help avoid accidents.

Never remove spreader with material in hopper.

Disconnect electricity to spreader before servicing.

When replacing parts use only SnowEx parts. Failure to do so will void warranty.

The controller is a solid state electronic unit and is not serviceable. Any attempt to service will void warranty.

There are no serviceable parts in the motor/transmission assembly. Any attempt to service will void warranty.

When pressure washing motor enclosure area, stay at least 36” away from motor enclosures.

CAUTION

Store control in cool dry place during the off season.

Spinner motor is not designed for continuous duty. Allow motor to cool between long cycle times.

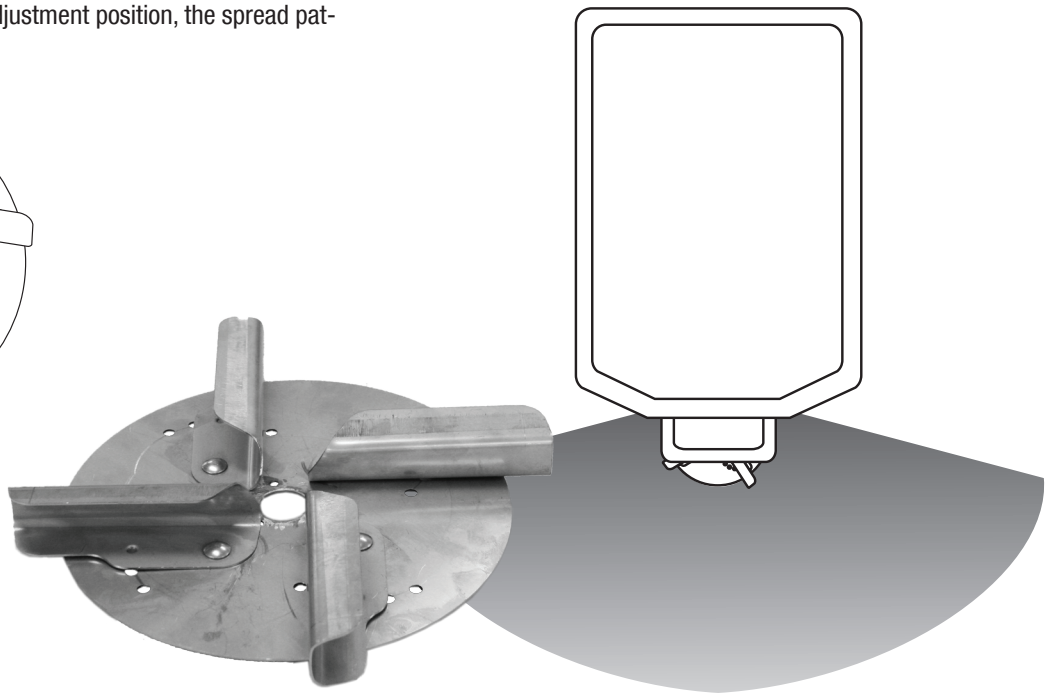
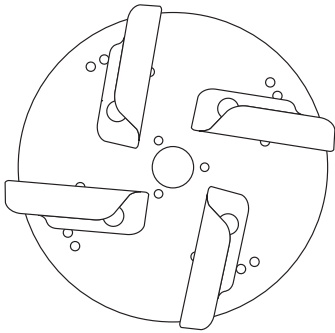
Vibrator is not designed for continuous duty. Allow motor to cool between long cycle times.

Do not modify vehicle or spreader wiring harness. Doing so will void product warranty.

Adjustable Spinner

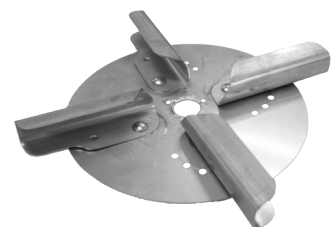
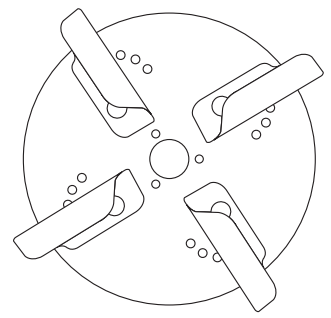
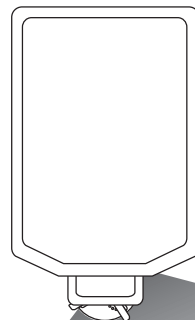
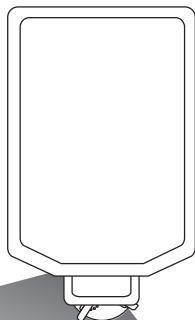
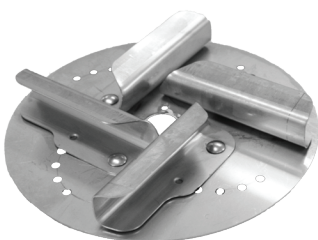
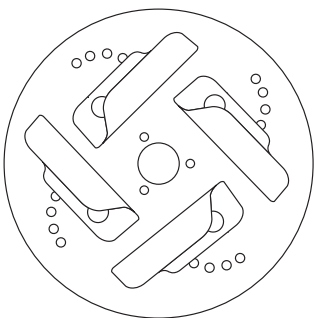
Your spreader is equipped with an adjustable spinner to assist you in more precise material application. The Spinner plate gives the operator control of whether the material spreads to the right, left or is centered. Before operating the spreader, spread some material in a clear area where you can easily observe the spread pattern and how it changes with fin adjustment. Use the instructions below as a guide to get the spread pattern you desire.

When the fins are in their center adjustment position, the spread pattern will be mostly centered.



When looking down at the spinner, moving the fins clockwise will adjust the spread pattern toward the left side of the spreader.

When looking down at the spinner, moving the fins counter-clockwise will adjust the spread pattern toward the right side of the spreader.

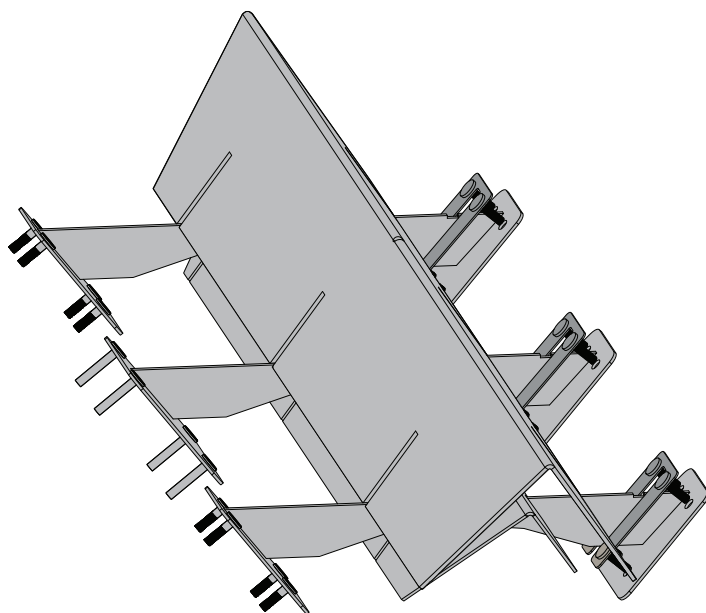


INVERTED-V

The SuperMAXX 9300 uses an “Inverted-V” Baffle design over the auger area. This baffle reduces the load on the auger. The Inverted-V should not be removed unless servicing the unit.

The Secondary Salt Baffle can be removed for spreading Sand/ Salt Mix.

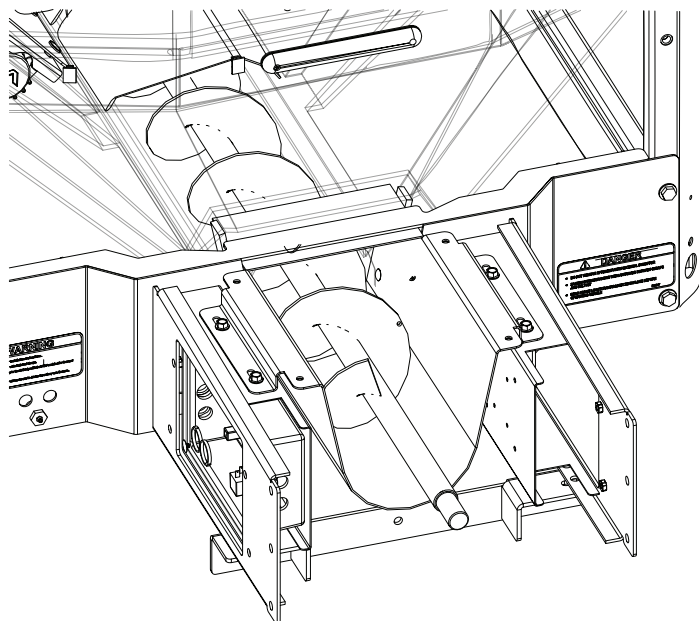
Warning: Always disconnect power source before attempting to remove material baffle.



AUGER DISCHARGE TROUGH

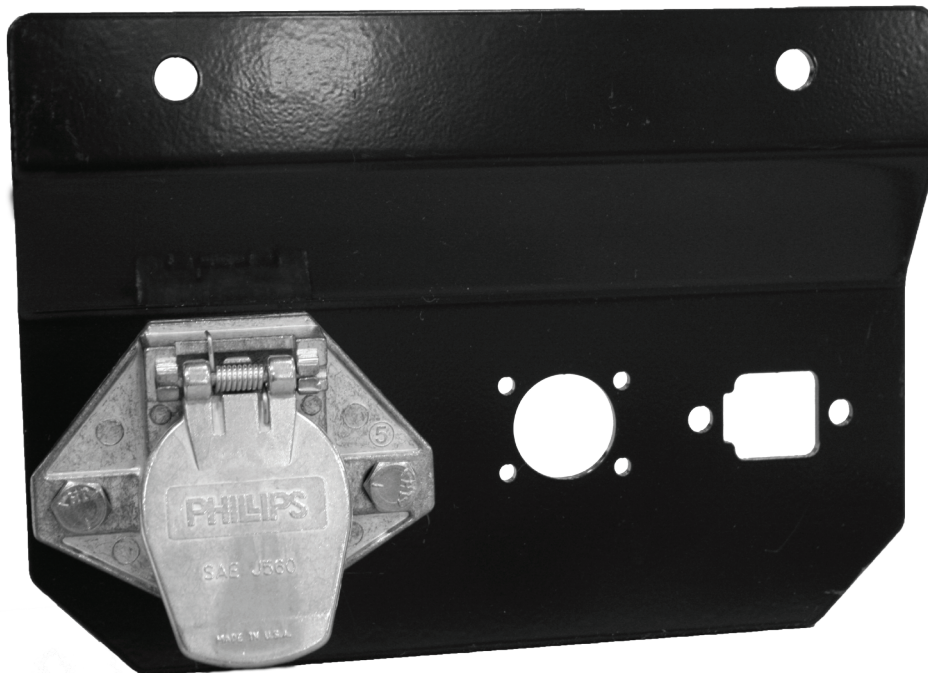
The SuperMAXX 9300 uses an Auger Discharge Trough to reduce material leakage. It must not be removed unless servicing the unit.

Warning: Always disconnect power source before attempting to remove auger discharge tube.



1. Mount rear plug bracket on back of vehicle using supplied bolts. Locate toward center of bumper as it will reduce the amount of debris that gets onto the plug.
2. Mount vehicle harness plugs to bumper bracket that was just installed. [The Power Harness Plug will need to be removed and mounted to the bracket, then re-connected to the wires.] Apply dielectric grease to plugs.
3. Route wires from back to front using ty-wraps or clamps (not supplied). Do not secure to brake lines, fuel lines, or near exhaust, engine or moving parts. Use the heavy-duty ty-wraps along frame and the lighter duty ty-wraps everywhere else.
4. Drill a 7/8" hole in the firewall near steering column. Be sure to check for wires and components in the way (both sides of firewall) before drilling the hole.
5. Run the Data Cable into cab. Zip-tie wire under dash so it does not get in the way of brake or accelerator pedal. Leave enough of the Data Cable outside of the dash so operator can hold control pendant in hand. Install the Pendant Mounting Base and Bracket. Stick hook/loop fastener to the Pendant and Pendant Base.
6. Splice the short wire on the Vehicle Data Cable into the Third Brake Light Circuit of the vehicle.
7. Route power wires over to battery. Install circuit breaker and connect to battery.

View of Vehicle Power Harness Plug Attached to Bumper Bracket.

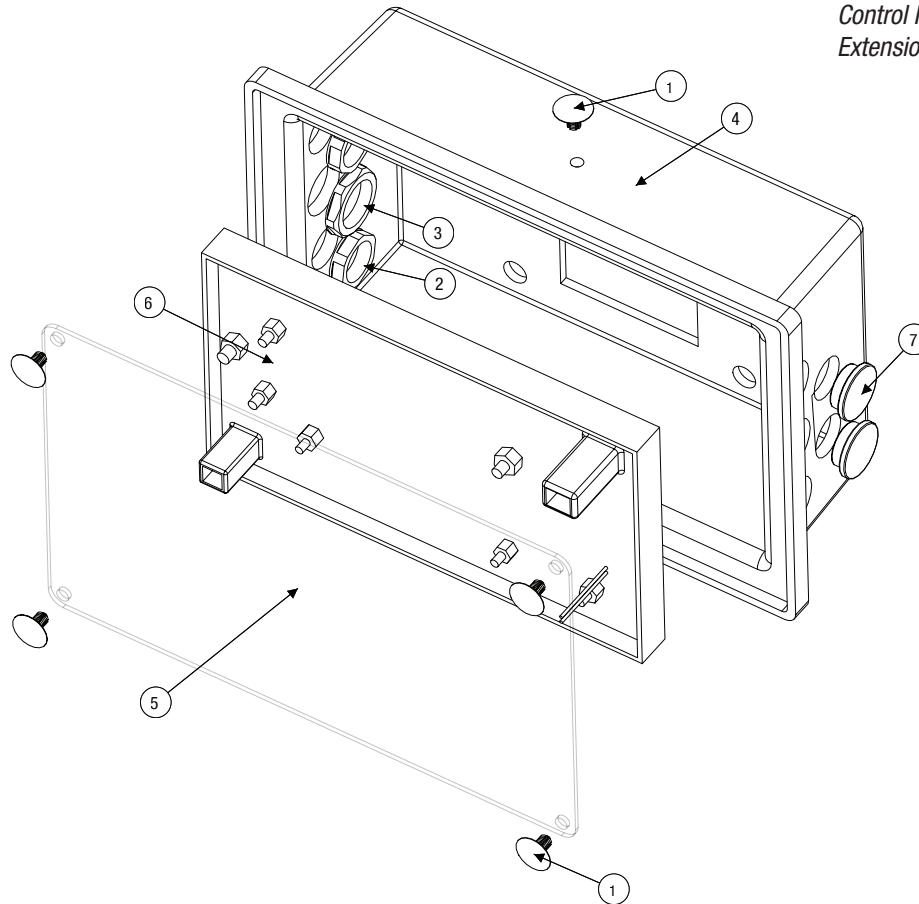


F50543 Control Pendant



IMPORTANT: In the off season remove control and put in a cool dry place. The interior summer temperatures could damage circuit board and void warranty.

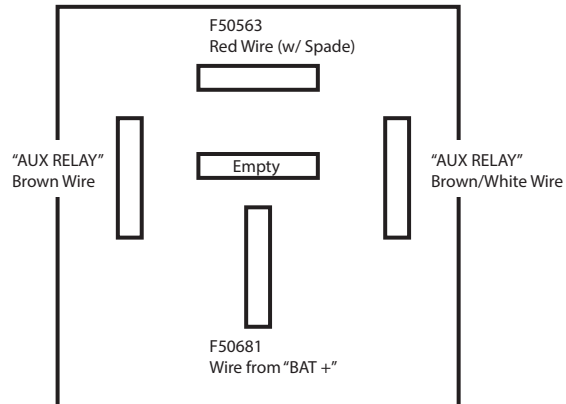
Control Module Box Parts



Control Module mounts to Auger Extension Weldment with D6131 x4

ID #	Part #	Qty
1	D6467	5
2	D6781	2
3	D6828	1
4	F50488	1
5	F50489	1
6	F50541	1
7	F50700	2

D6083 Relay



Wire Connections

SMALL GRAY PLUG

Plugged with Sealed Blank Connector

GND –

Light Harness Black Wire; Spreader Harness Black Wire; Vibrator Harness Black Wire.

AUGER +

Auger Harness White Wire.

AUGER –

Auger Harness Black Wire.

SPINNER –

Spinner Harness Black Wire.

SPINNER +

Spinner Harness Red Wire.

VIBRATE

Vibrator Harness Red Wire.

BAT +

Relay Wire (Red); Spreader Harness Red Wire

LARGE GRAY PLUG

Pendant Harness Gray Connector.

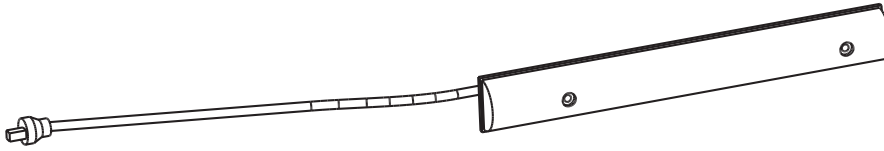
RELAY

see diagram above.

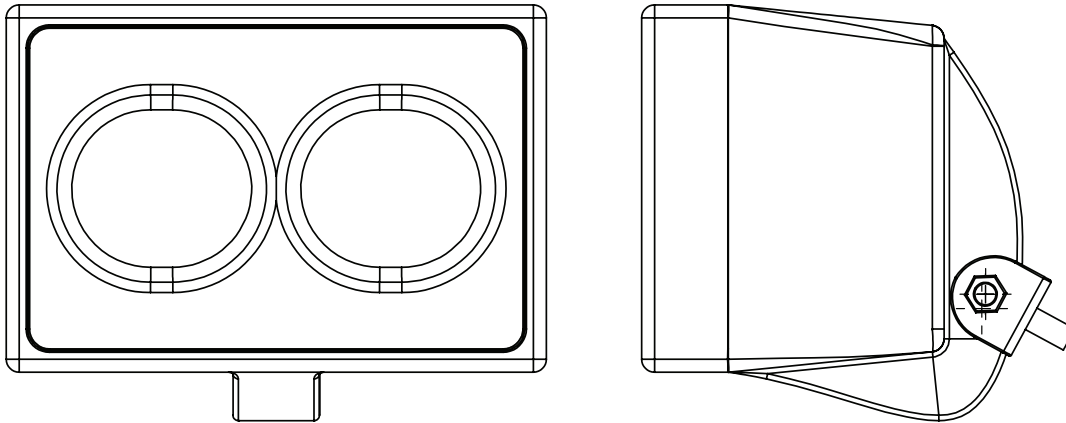
OTHER

Pendant Harness Red Wire Connected to Light Harness Red Wire with Round Butt Connector.

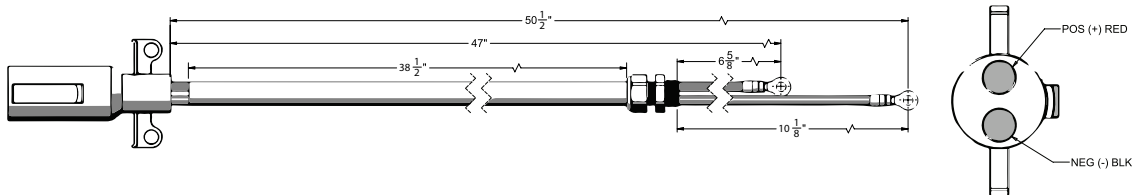
D6514 Center High Mount Stop Lamp



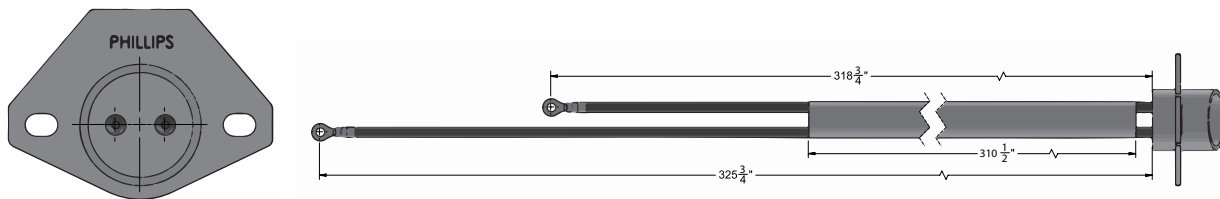
F50562 Work Light



F50408 Spreader Power Harness



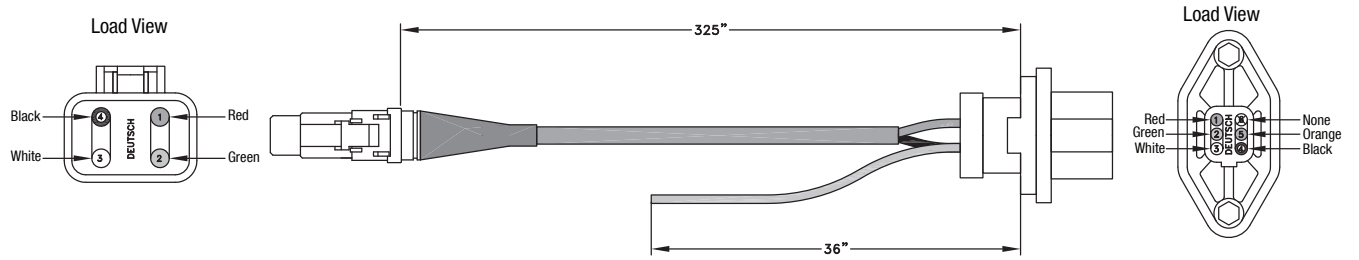
F50409 Vehicle Power Harness



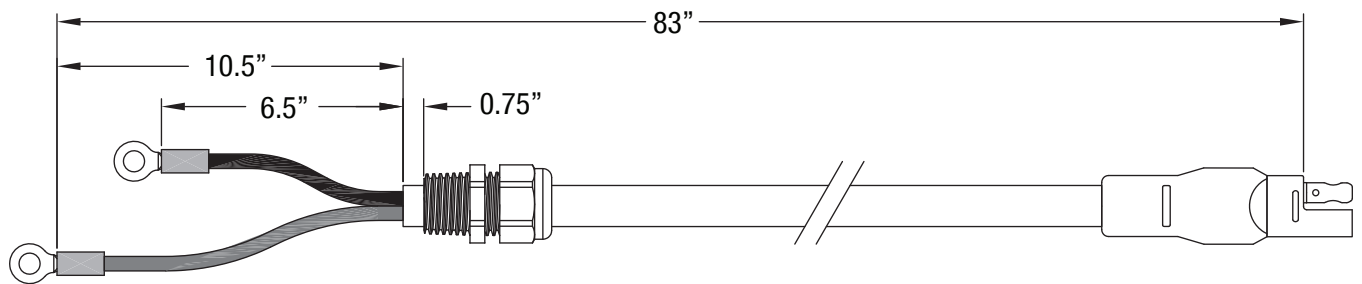
IMPORTANT: Do Not modify harness length. Any modifications will void warranty.

1. All external connections must have dielectric grease.
2. Read lead labels before attaching to power source or ground.
3. No other devices may be spliced into wiring harness.
4. Any repairs to wiring harness must be done with heat shrink butt connectors.

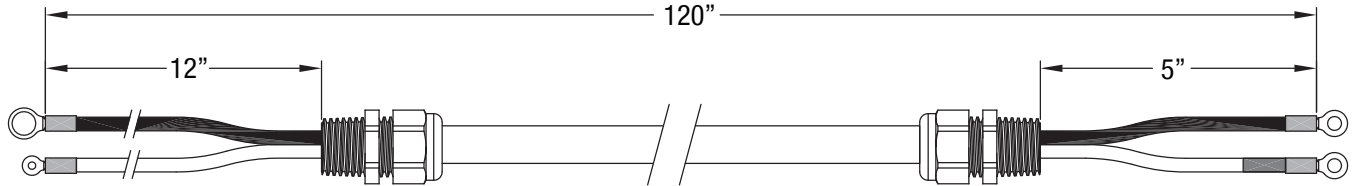
F50534 Vehicle Data Cable



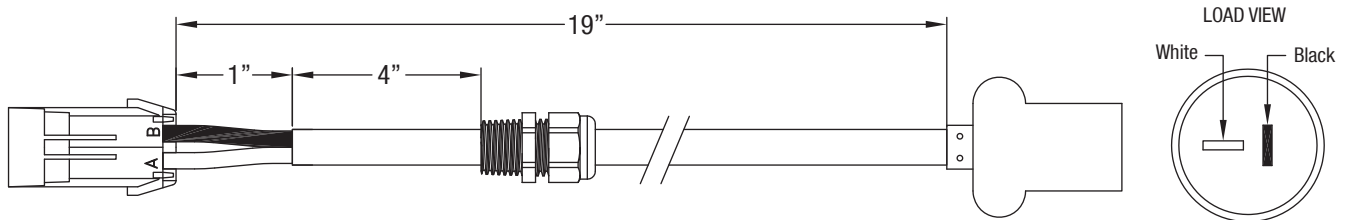
F50535 Vibrator Harness



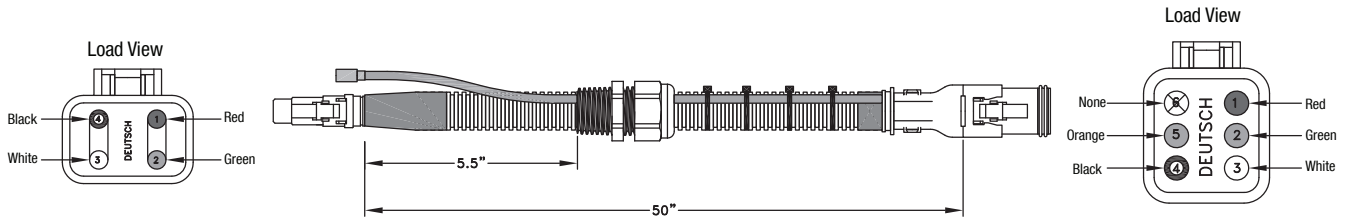
F50536 Auger Motor Harness



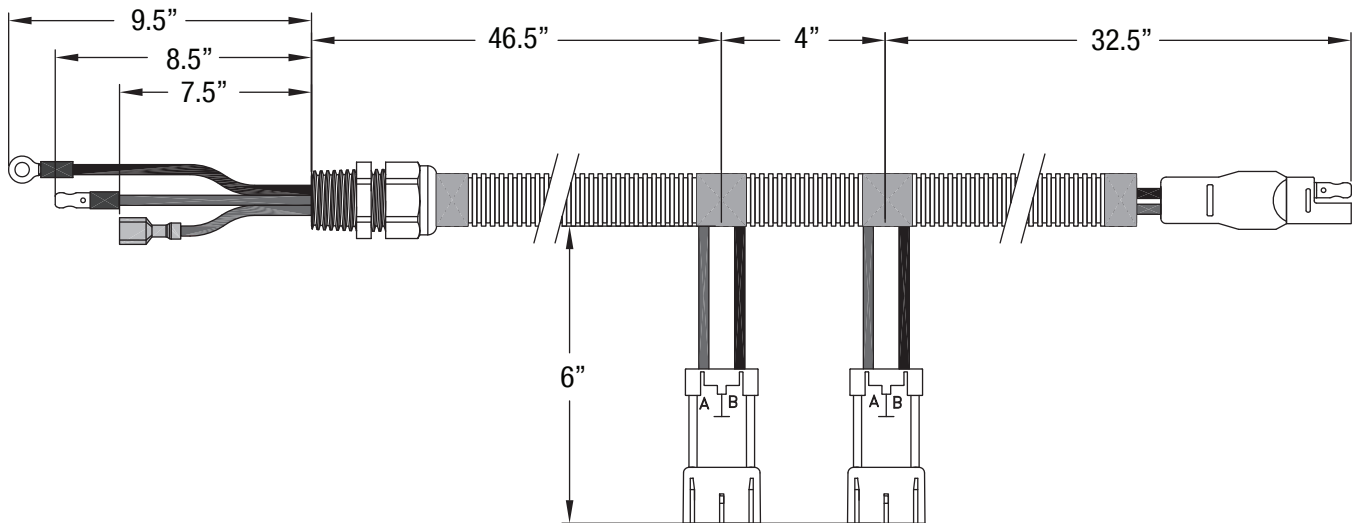
F50537 Spinner Motor Harness



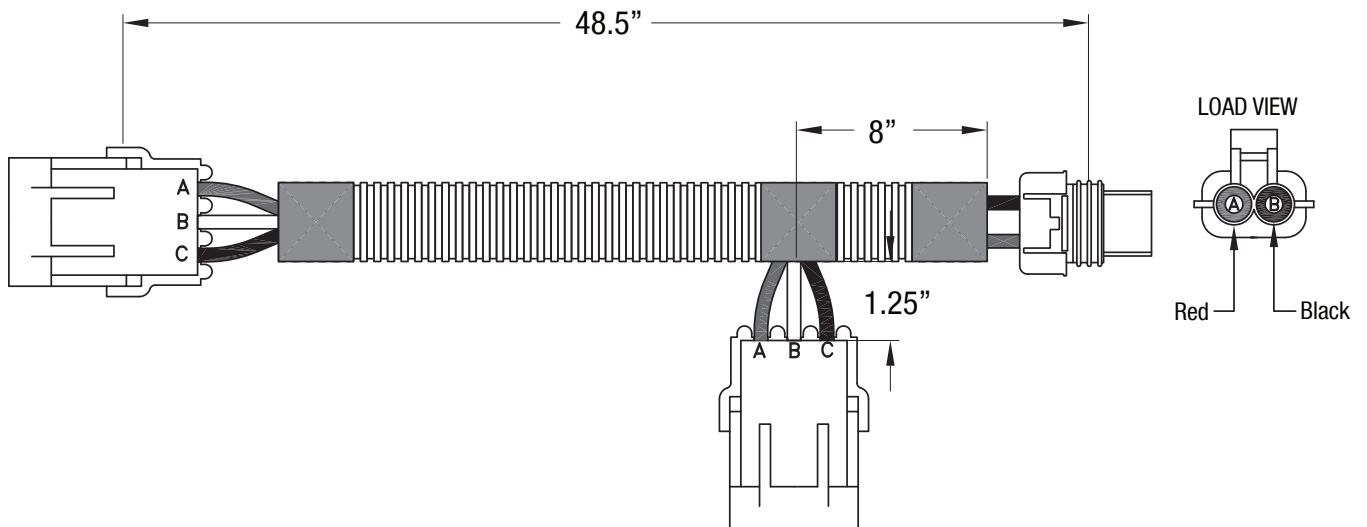
F50540 Spreader Data Cable

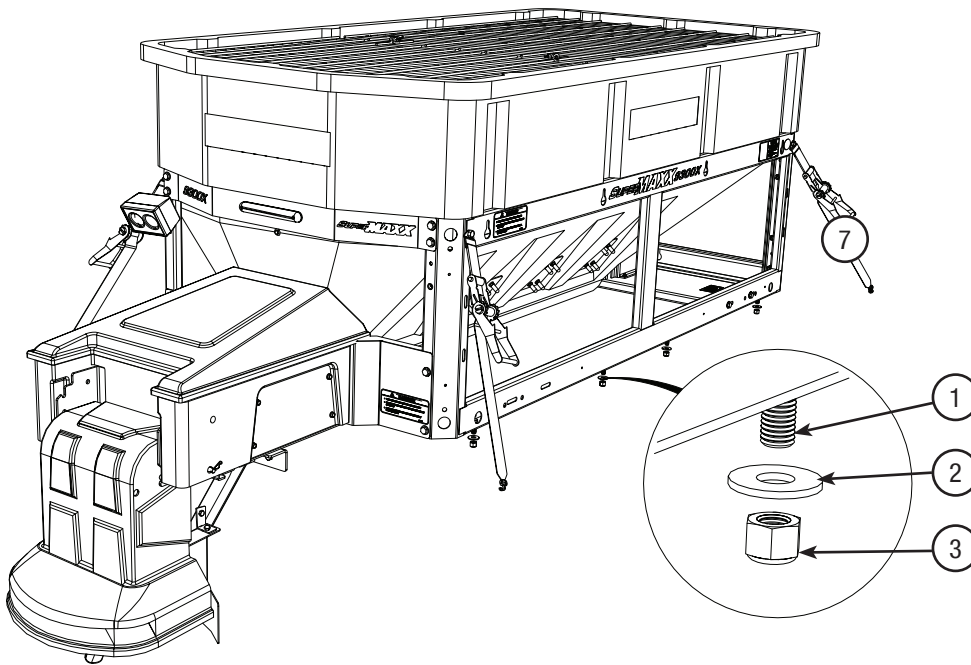


F50563 Light Harness

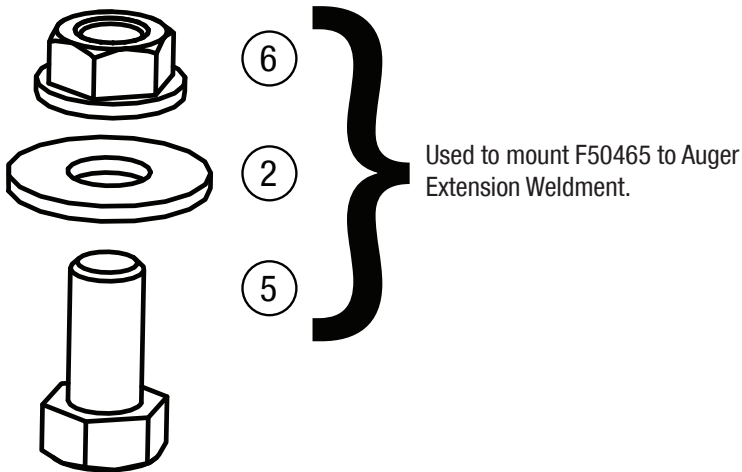


F50564 Strobe Light Harness

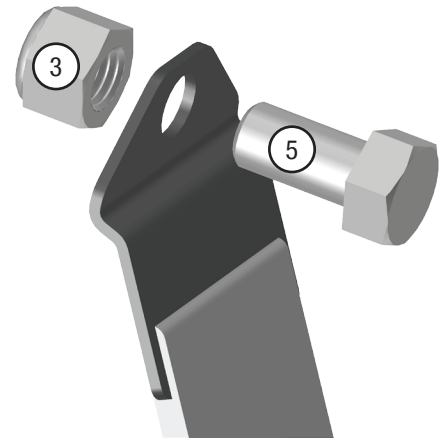




STOP BRACKET MOUNTING



RATCHET STRAP MOUNTING



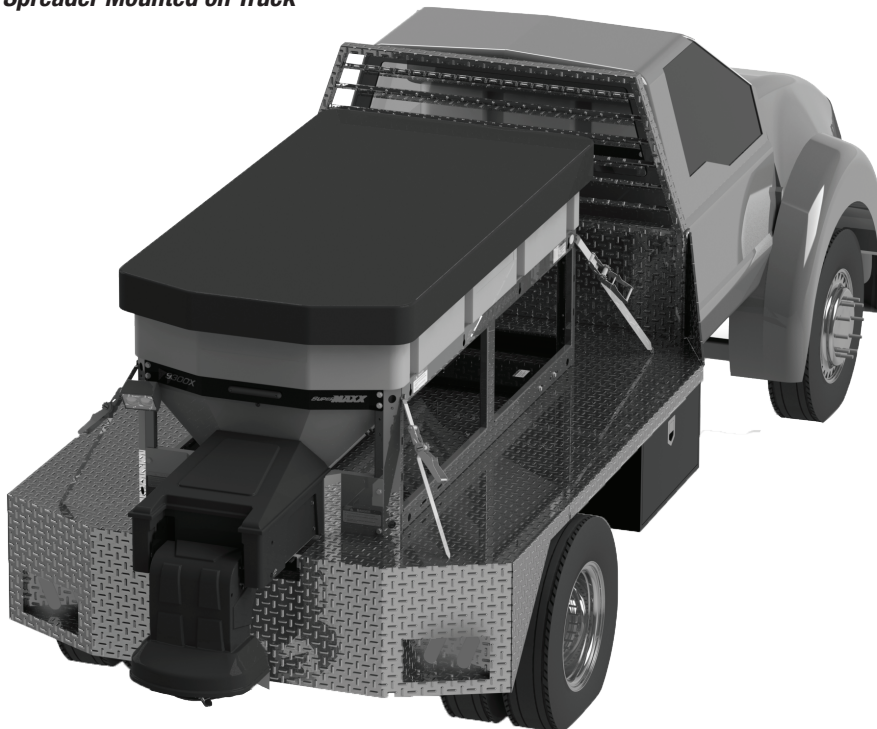
ID #	Part #	Description	Qty
1	D4116	Bolt 1/2-13 x 1-1/2	10
2	D4119	Washer 1/2	10
3	D4120	Nut 1/2-13 Nylox	14
4	F50465	Rear Stop Bracket	1
5	D4115	Bolt 1/2-13 x 1	6
6	D5535	Nut 1/2-13 Serr. Flange	2
7	F50600	X-Series Ratchet Strap [4PK]	1

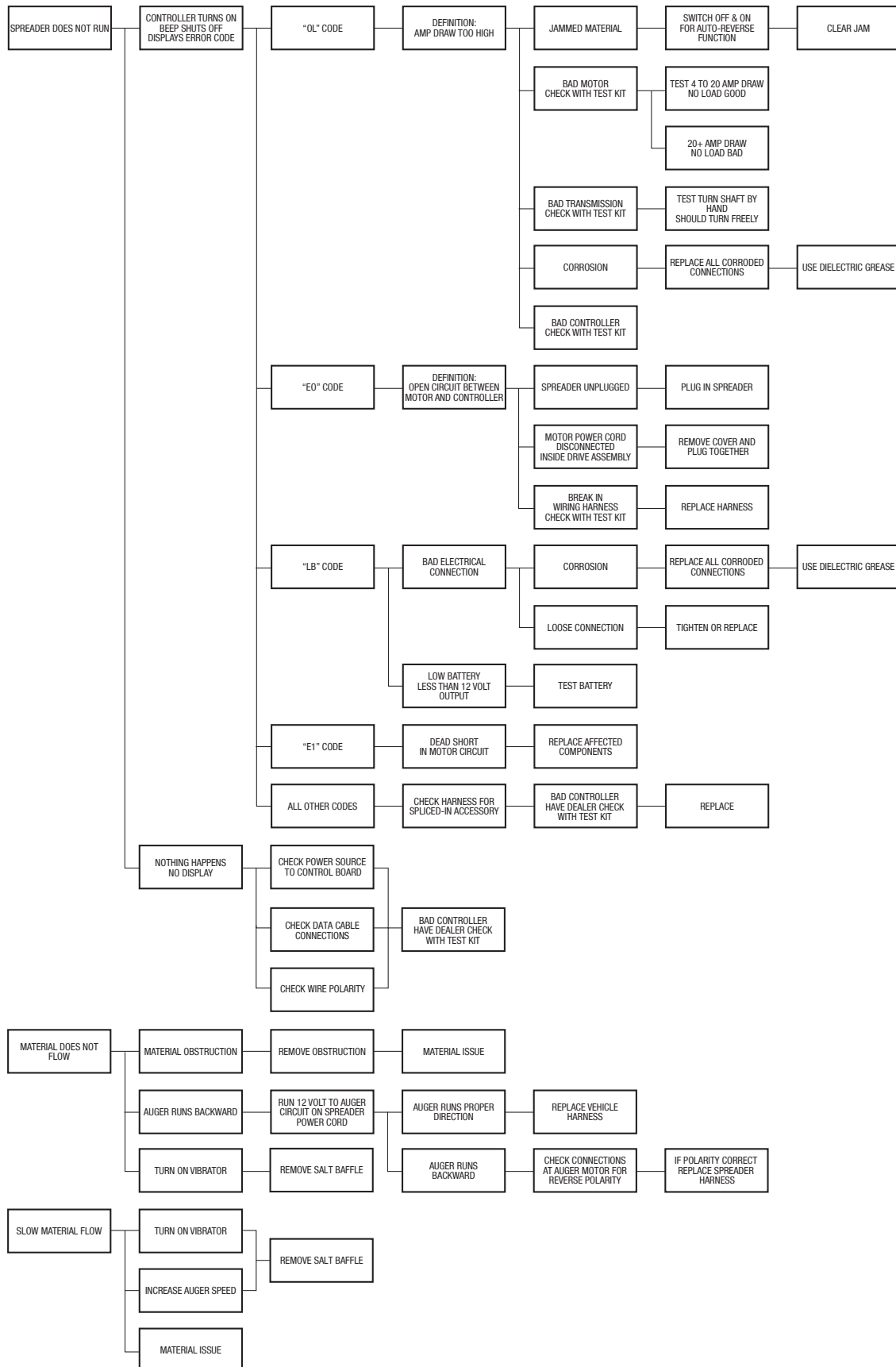
DANGER

Rear stop bar, ratchet straps and mount kit must always be in place. All mounting systems work together; none of them should be used exclusive of the other methods. Do not remove unless servicing spreader or removing the spreader from vehicle. Check straps and hardware before each use, making sure spreader is completely stable.

1. If installing on dump body, remove tailgate. If using flatbed, remove stake sides.
2. Load spreader onto truck bed.
3. Install Rear Stop Bracket onto Auger Extension Weldment. using provided hardware as described in diagram on previous page.
4. Slide Spreader forward until Stop Bracket touches the rear of the truck body.
5. Center side-to-side on the truck bed. The spreader must be centered for the safety of the vehicle, its driver and those nearby.
6. You will notice there are four holes in the bottom flange of each sideframe. These holes are on the bottom and will be used to mount the spreader to the truck body. There are also two holes in the rear stop bracket. Mark all of these holes with a paint/permanent marker, an oil pencil or similar device.
7. Look underneath the truck body to be sure there is clearance for the holes to be drilled. If there are interferences, the holes can be relocated in the spreader frame. If the holes need to be relocated, make sure there is adequate fastening at the front and back.
8. Drill the holes in the marked locations using a 9/16 drill bit. (You may need to slide the spreader side-to-side in order to drill the holes without climbing underneath the truck.
9. Slide the spreader back into position over top of the holes just drilled. Install bolts through spreader frame and truck body with washer and nut below. Tighten all fasteners.
10. Attach Ratchet Straps using provided hardware as in diagram on previous page. Tighten the fasteners. Hook Ratchet Strap's other end to truck body. Tighten the Straps.

Spreader Mounted on Truck





Limited Warranty

SnowEx products are warranted for a period of two years from the date of purchase against defects in material or workmanship under normal use and service, subject to limitations detailed below. Warranty period of two years begins on the date of purchase by the original retail user.

The WARRANTY REGISTRATION must be submitted to the SnowEx for this warranty to become effective. This warranty applies to the original retail purchaser only. This warranty does not cover damages caused by improper installation, misuse, lack of proper maintenance, alterations or repairs made by anyone other than authorized SnowEx dealers or SnowEx personnel. Due to the corrosive properties of the materials dispensed by spreaders, Trynex does not warrant against damage caused by corrosion. Warranty claims by the user must be made to the dealer from where the product was purchased, unless otherwise authorized by SnowEx. SnowEx reserves the right to determine if any part is defective and to repair or replace such parts as it elects. This warranty does not cover shipping costs of defective parts to or from the dealer.

LIMITATION OF LIABILITY

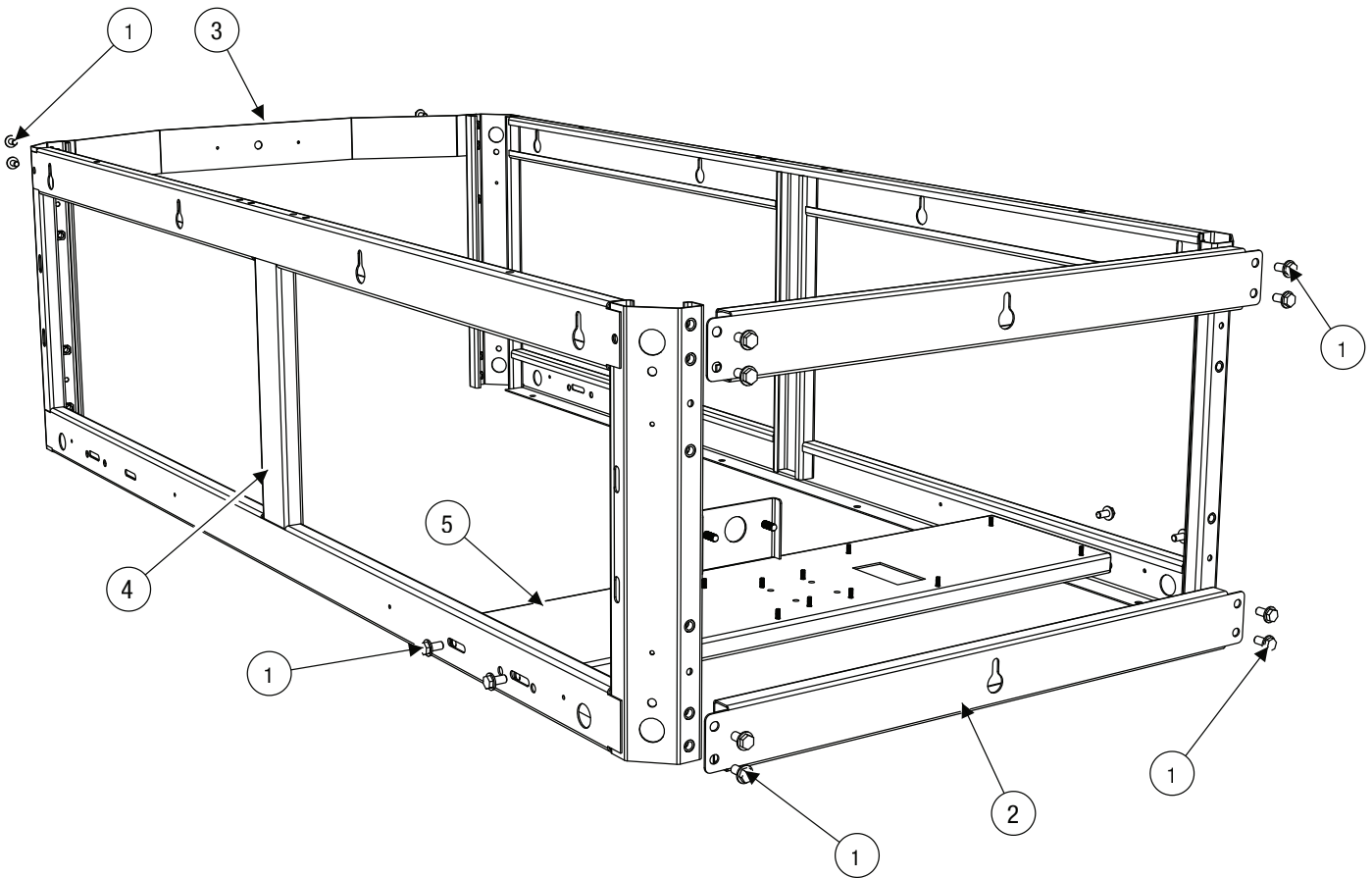
Neither SnowEx, nor any company affiliated with it, makes any warranties, representations for promise as to the performance or quality other than what is herein contained. The liability of SnowEx to the purchaser for damages arising out of the manufacture, sale, delivery, use or resale of this spreader shall be limited to and shall not exceed the costs of repair or replacement of defective parts. SnowEx shall not be liable for loss of use, inconvenience or any other incidental, indirect or consequential damages, so the above limitations on incidental or consequential damages may not apply to you.

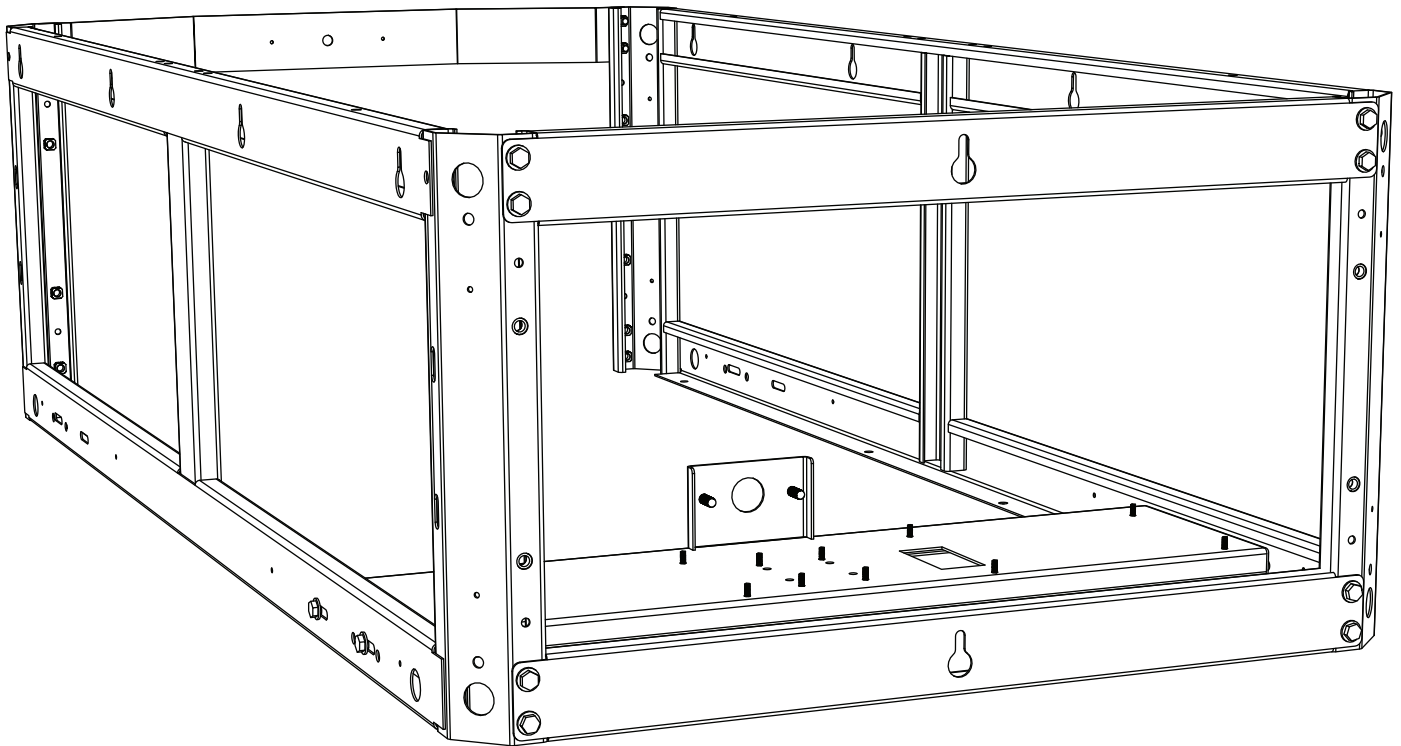
NO DEALER HAS AUTHORITY TO MAKE ANY REPRESENTATION OR PROMISE ON BEHALF OF SnowEx, OR TO ALTER OR MODIFY THE TERMS OR LIMITATIONS OF THIS WARRANTY IN ANY WAY.

Key to Parts

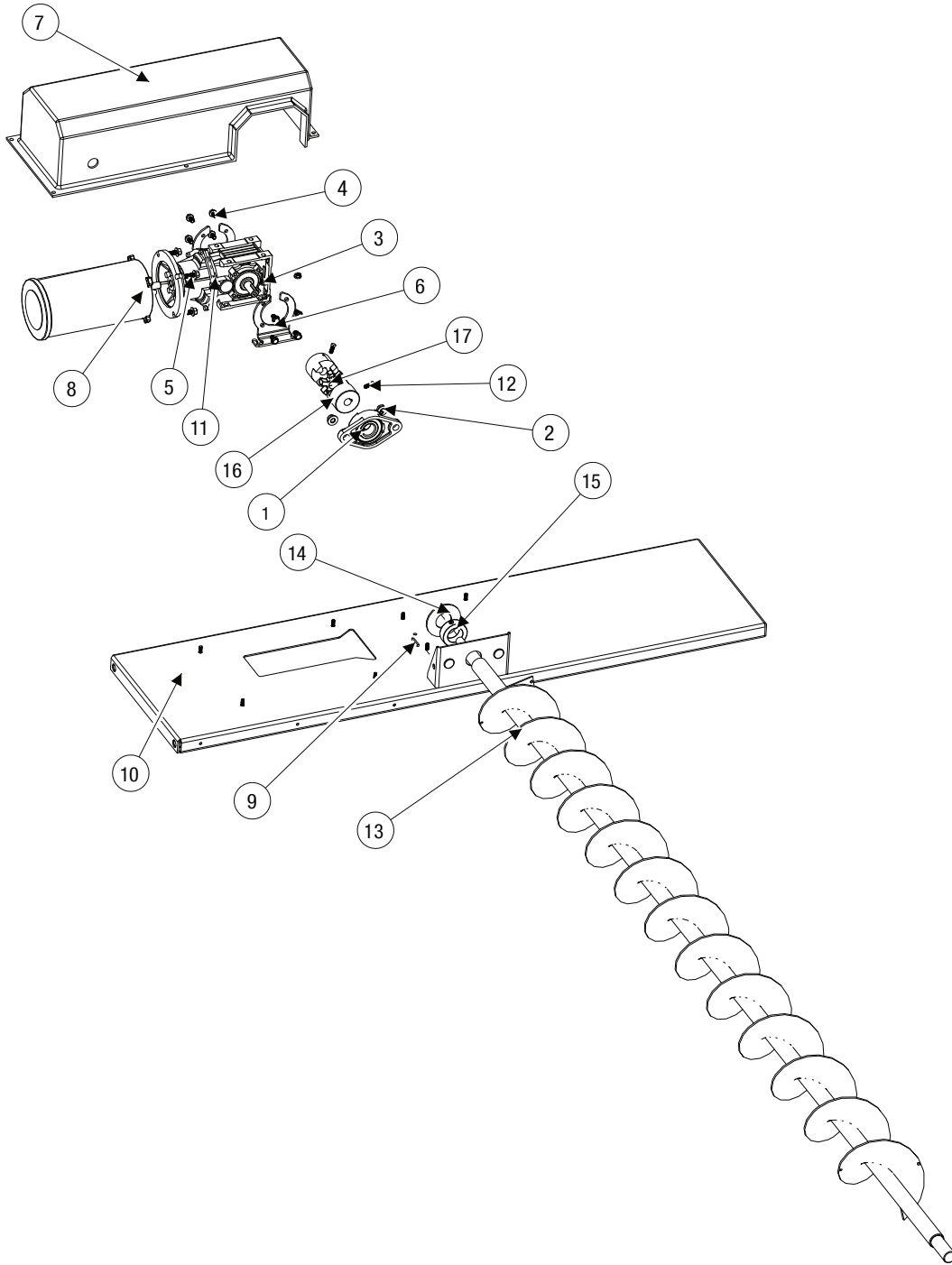


D4115 Bolt 1/2"-13 X 1" Hex Head Zinc	D6763 Inverted V Salt Baffle	F50509 Flat Washer 1-1/2" Zinc
D4116 Bolt 1/2"-13 X 1-1/2" Hex Zinc	D6764 Inverted V	F50510 Shaft Collar 1-9/16" W/Set Screw
D4119 Washer 1/2" Flat USS Zinc	D6765 Front Facia	F50513 Jaw-Coupling Hub L100 3/4"
D4120 Nut 1/2"-13 Nylox Zinc	D6766 Rear Apron	F50514 Jaw-Coupling Spider L100
D4121 Bolt 3/8"-16 X 1" Hex Zinc	D6781 Nut 1/2" NPT Black Nylon	F50517 Spinner Plate 12" Adjustable
D4124 Nut 3/8"-16 Nylox Zinc	D6794 Tarp Kit	F50535 Vibrator Harness
D4125 Washer 3/8" Flat USS Zinc	D6795 Top Screen	F50536 Auger Motor Harness
D4135 Hair Pin Cotter .093 X 2-3/8" Zinc	D6796 Rear Top Screen	F50537 Spinner Motor Harness
D5022 Bolt 5/16"-18 X 3/4" Carriage SS	D6797 Side Frame	F50540 Data Cable
D5023 Nut 5/16"-18 Keps Stainless	D6815 Bolt Plate 4 Bolt	F50541 Spreader Control
D5382 Bearing 2 Bolt Flange 1-1/4"	D6822 Cable Tie 7" Push Mount	F50543 Control Pendant
D5508 Flat Inverted V Backing Plate	D6824	F50544 Vehicle Harness Kit
D5535 Nut 1/2"-13 Serrated Flange Zinc	D6825 Auger Motor	F50554 Decal 9300X
D5706 Nut 5/16"-18 Serr. Flange Zinc	D6828 Lock Nut 3/4" NPT Black Nylon	F50562 Rectangle Work Light
D5753 Bolt M8-1.25 X 16 Flange Zinc	D6853 Hair Pin Cotter Zinc Plated	F50563 Light Harness X Series
D5907 Bolt 1/4"-20 X 1-3/8" Hex SS	D6854 Bolt 1/4"-20 X 1" Serr. Flange	F50587 Bolt 5/16"-18 X 1" Serr. Flange
D5949 Washer 5/16" Flat Stainless	D6860 Formed Vibrator Backing Plate	F50591 Hook & Loop Square
D6083 Relay 30 Amp Automotive	D6866 Clevis Pin 5/16" X 1-1/4"	F50598 Shipping Cover SP-9300X Series
D6118 Dust Cover Standard	D6868 Auger Motor Cover	F50600 Ratchet Straps (4PK)
D6131 Bolt 1/4"-20 X 1/2" Serr. Flange	D6873 Keystock 3/16" X 1-1/4" Plain	F50602 Spinner Adapter
D6133 Bolt 5/16"-18 X 1/2" Hex Zinc	D6874 Screw 1/4" X 1-1/2" Driller	F50641 Bracket Pendant Mounting
D6138 Nut 5/16"-18 Nylox Zinc	D6884 Auger Drive Mounting Plate	F50642 Bracket Pendant Mount Base
D6158 Nut #10-32 Nylox Zinc	D6887 Spinner Motor	F50645 Decal Warning-Spinner
D6159 Bolt #10-32 X 2" Hex Stainless	D6894 Transmission	F50681 Relay Wire
D6165 Washer 5/16" Flat USS Zinc	D6898 Cross Bar	F50700 Hole Plug 7/8" Plastic
D6166 Bolt 5/16"-18 X 1" Hex Head Zinc	D6899 Vibrator DC 400	F50718 Owner's Manual
D6172 Bolt #10-32 X 5/8" Serr. Flange	D6982 Bulkhead Coupling 1/8" Brass	F50744 Bolt 3/8" X 2-1/2" Hex Lag Zinc
D6192 Decal Warning - Hands & Feet	D6983 Grease Fitting 1/8" Straight	F50884 Discharge Trough
D6194 Decal Read Owner's Manual	D6984 Compression Fitting 1/4" Tube	F50888 Cover Discharge Trough
D6243 Decal Made In The USA Oval	D6987 Tubing 1/4" X 1" Nylon	F50894 Seal Rubber-SuperMAXX Trough
D6335 Decal Warning - Rotating Auger	D7163 Set Screw 5/16"-18 X 1" Square	F50898 Dust Cap Spreader Data Cable
D6418 Bolt 5/16"-18 X 1" Hex SS	F50202 Cable Tie 6" 30 lbs	F50899 Dust Cap Vehicle Data Cable
D6452 Bolt 3/8"-16 X 1" Serr. Flange	F50316 Bracket Spinner Deflector	F50906 Grease Fitting 1/8" NPT 45°
D6453 Bolt 5/16"-18 X 1" Serr. Flange	F50318 Spinner Deflector	F50912 Bolt 5/16"-18 X 1" Carriage SS
D6467 Push Retainer 1/4" X 3/4" X 1/2"	F50362 Vehicle Harness Mounting Bracket	F51022 Spinner Drive Enclosure
D6468 Clamp 1/4" Wire Loom Adhesive	F50365 Rear Extension Weldment	F51024 Material Chute
D6509 Clamp 5/16" Rubber Coated	F50366 Bent Pin 1/2" X 25-1/2"	F51025 Chute Attachment Bracket
D6514 CHMSL Brake Light	F50368 Auger Extension Cover	F51026 Spinner Drive Cover
D6528 Bolt 1/2"-13 X 1" Serr. Hex Zinc	F50393 Spinner Drive Mount Assembly	F51036 Decal SuperMAXX II
D6529 Screw #10-32 X 1-1/4" Phil Pan	F50407 Bolt 1/2" X 2" Shoulder Zinc	F51037 Decal SuperMAXX II 9300X
D6546 Decal Warning - GVWR	F50408 Spreader Harness	F51048 Drive Hinge Pin
D6547 Decal Danger - Do Not Remove	F50444 Auger	T15016 Nut 1/4"-20 Nylox Stainless
D6548 Decal Warning - Read Manual	F50459 Hopper	T15018 Nut 5/16"-18 Nylox Stainless
D6553 Screw #10 X 3/4" Slotted Zinc	F50465 Rear Stop Bracket	T15023 Washer 1/4" Flat Nylon
D6584 Nut 3/8"-16 Serrated Flange Zinc	F50488 Plastic Power Module Box	T30207 Cupped Spinner Fin
D6752 Transmission Support Bracket	F50489 Plastic Power Module Cover	T30820 Stud Cover 3/8" X 1" Plastic

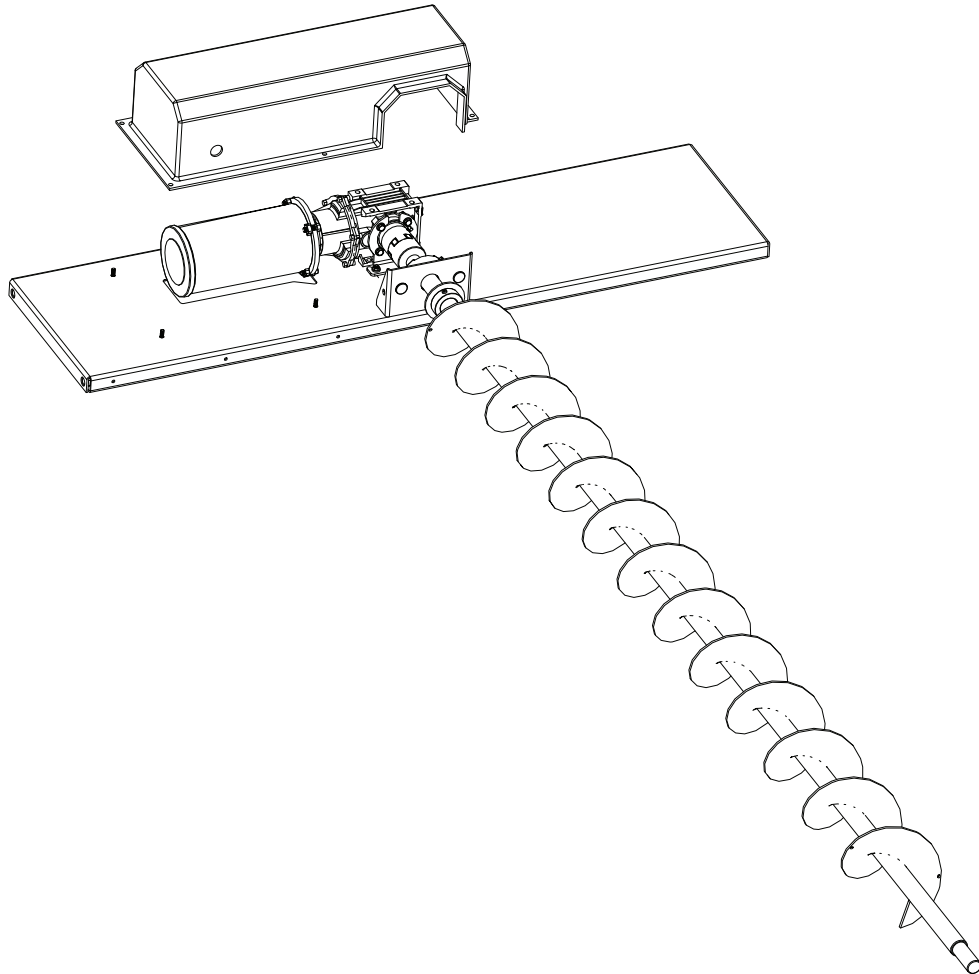




ID #	Part #	Qty
1	D6528	16
2	D6765	2
3	D6766	1
4	D6797	2
5	D6884	1



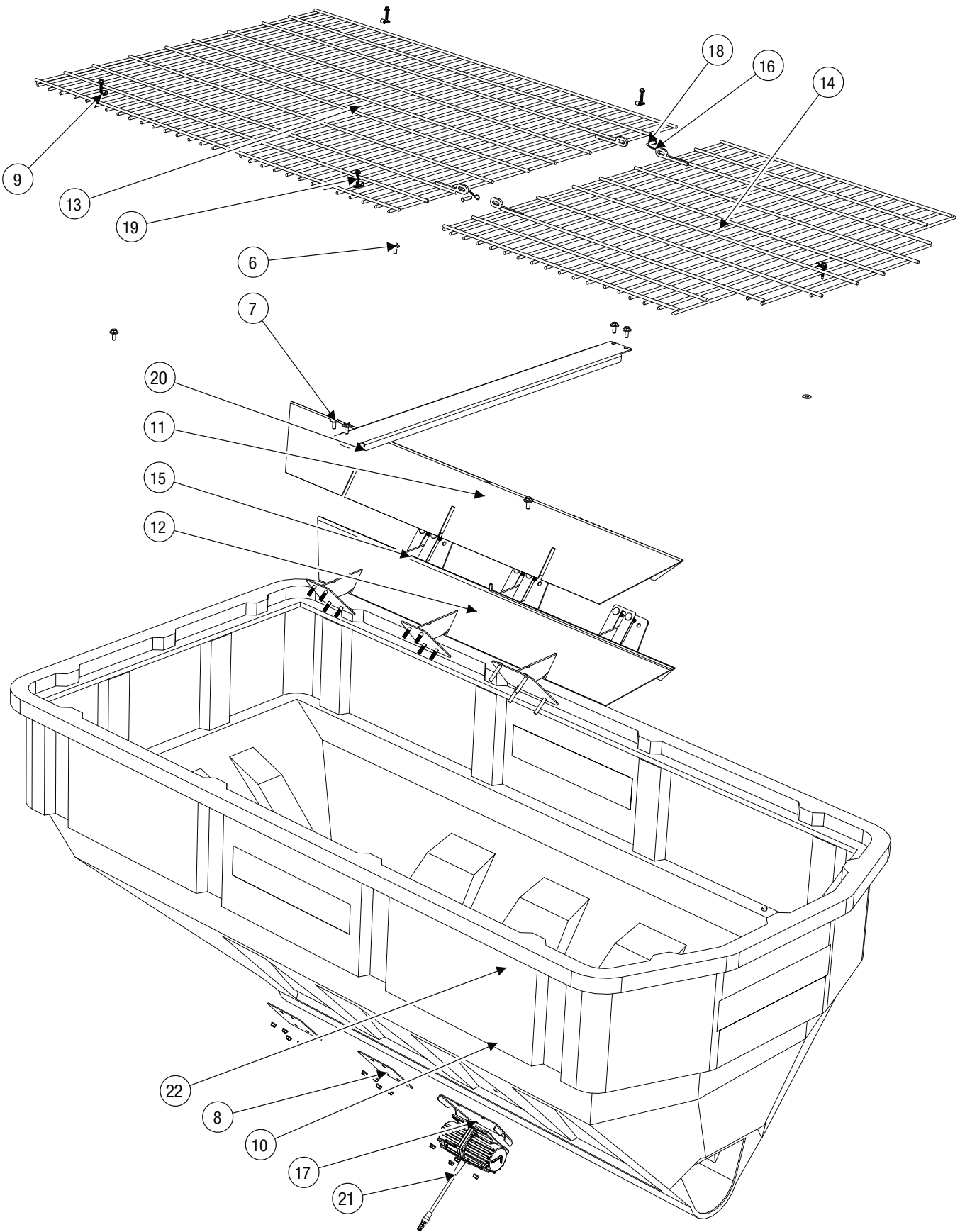
Auger Drive Assembly Parts Breakdown



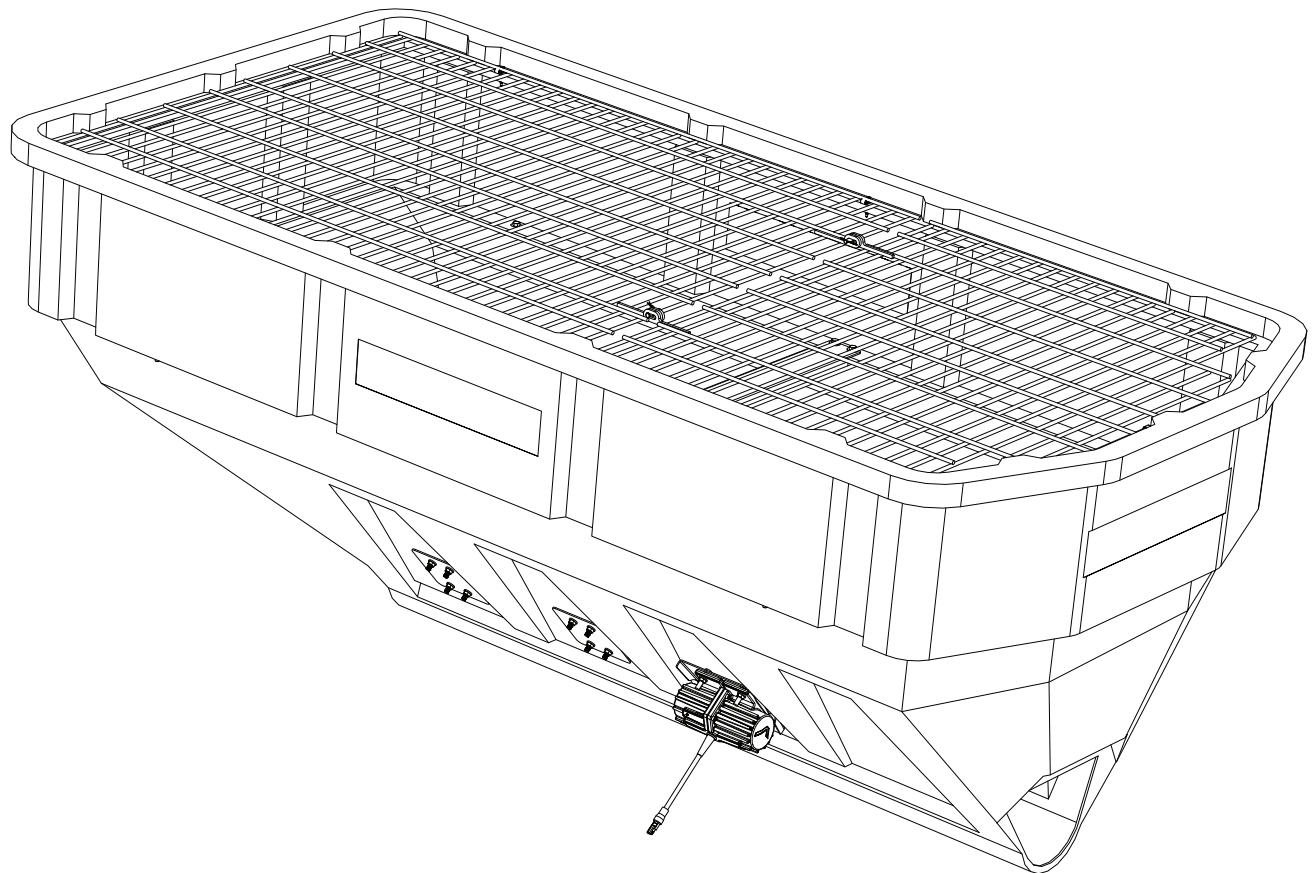
ID #	Part #	Qty
1	D5382	1
2	D5535	1
3	D5706	2
4	D5753	8
5	D6452	4
6	D6752	2
7	D6868	1
8	D6825	1
9	D6873	1

ID #	Part #	Qty
10	D6884	1
11	D6894	1
12	D7162	2
13	F50444	1
14	F50509	1
15	F50510	1
16	F50513	2
17	F50514	1

Hopper Assembly Parts Breakdown

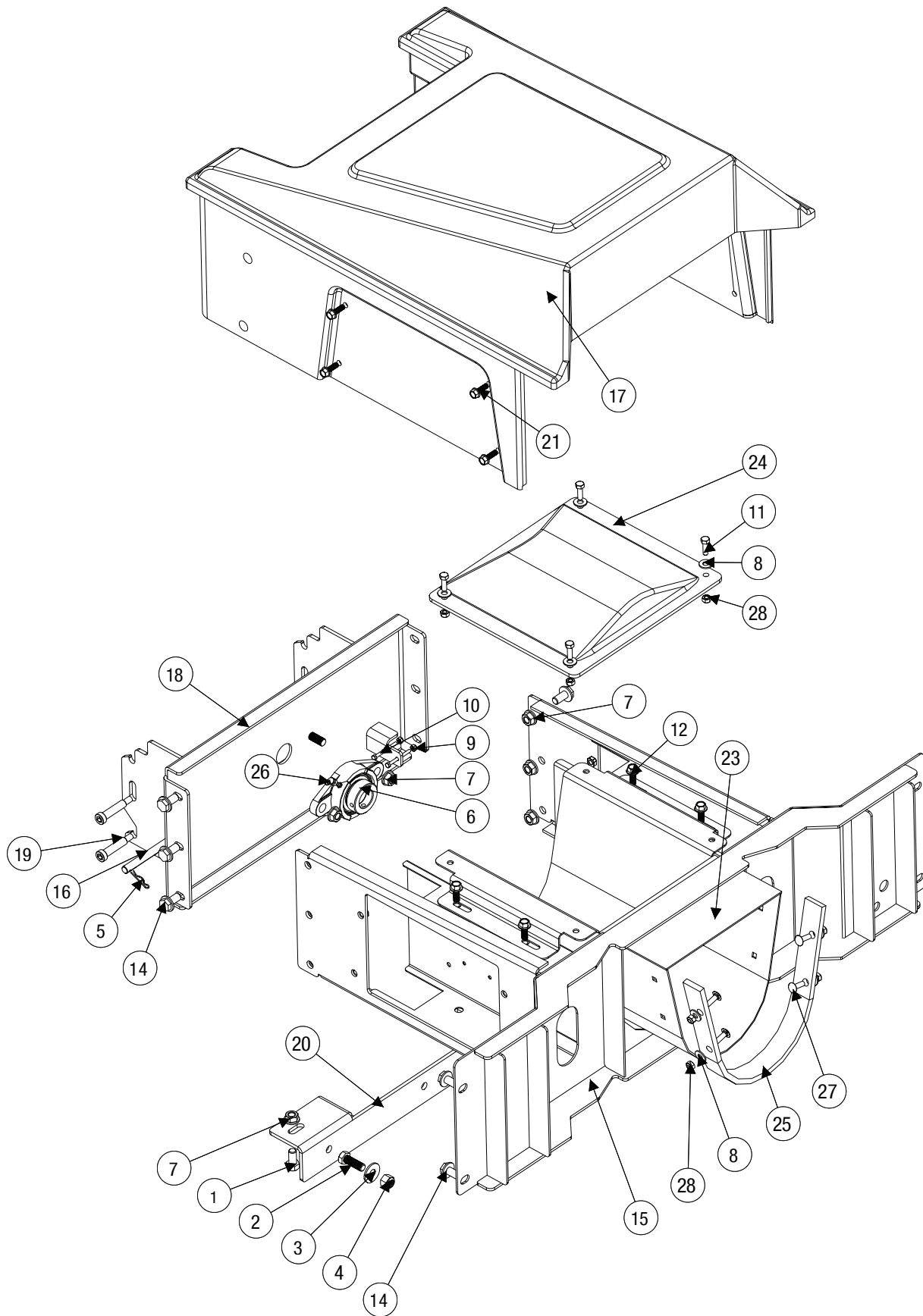


Hopper Assembly Parts Breakdown

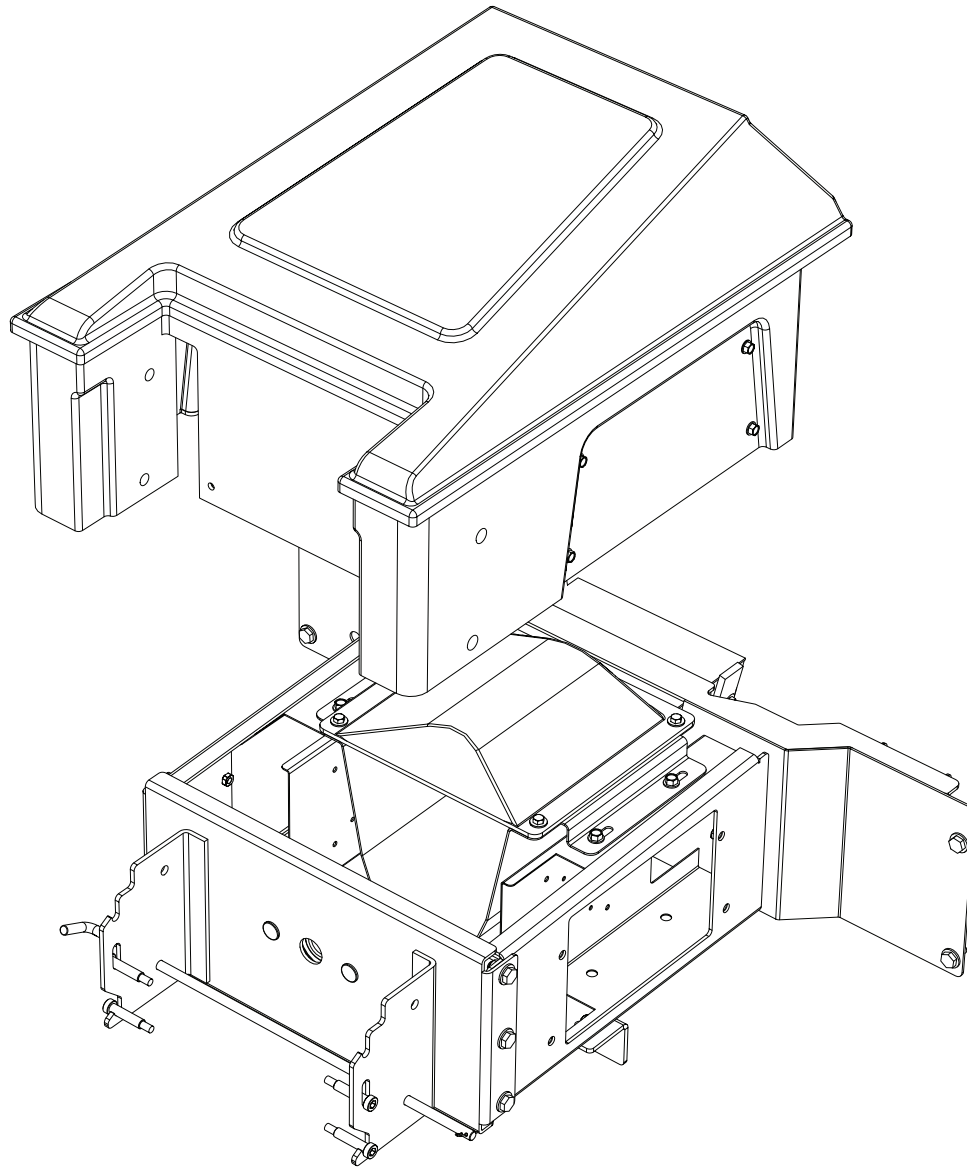


ID #	Part #	Qty
1	D6528	16
2	D6765	2
3	D6766	1
4	D6797	2
5	D6884	1
6	D4121	8
7	D4125	8
8	D5508	5
9	D6509	5
10	D6584	32
11	D6763	1
12	D6764	1

ID #	Part #	Qty
13	D6795	1
14	D6796	1
15	D6815	3
16	D6853	2
17	D6860	1
18	D6866	2
19	D6874	5
20	D6898	1
21	D6899	1
22	F50459	1



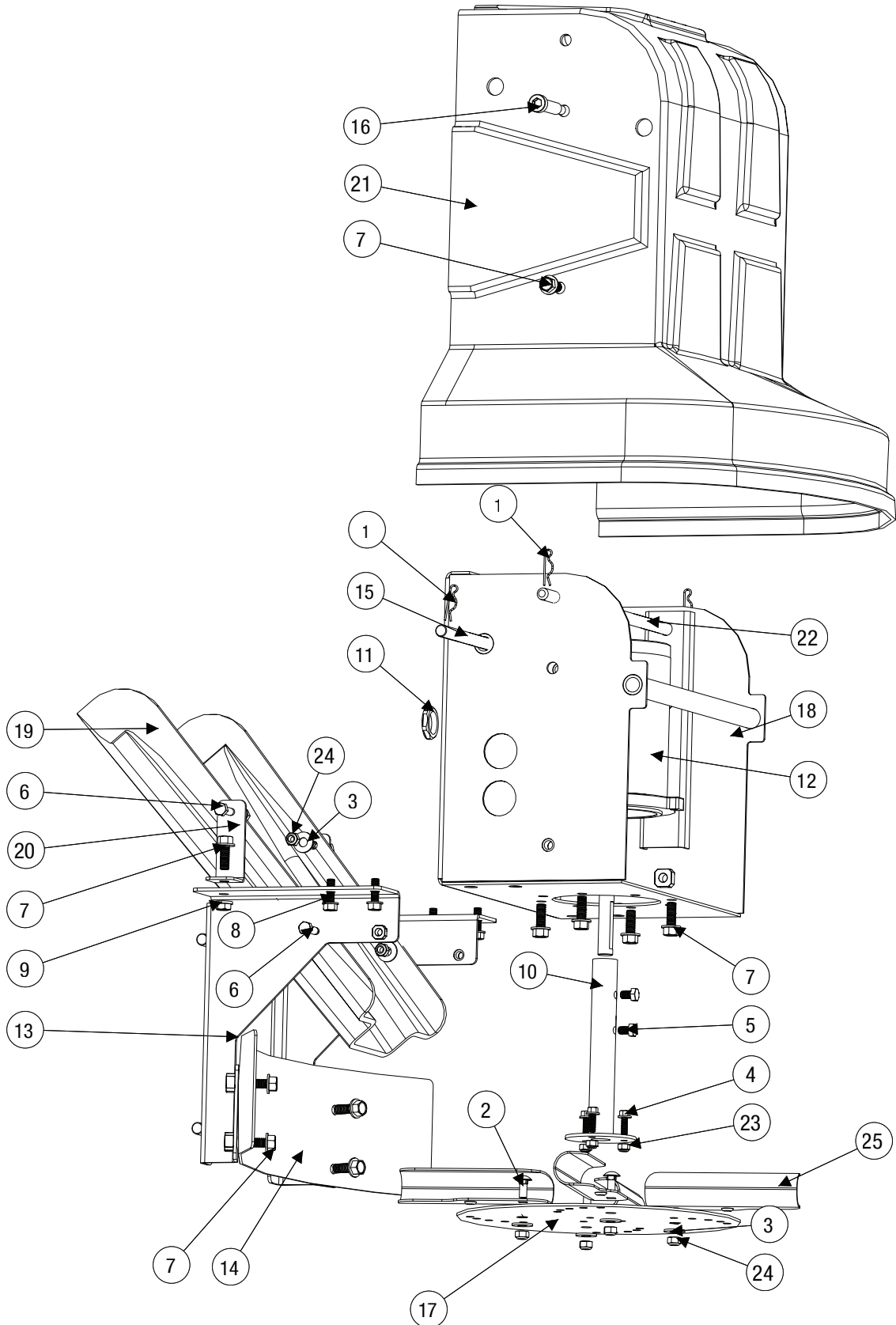
Auger Extension Assembly Parts Breakdown

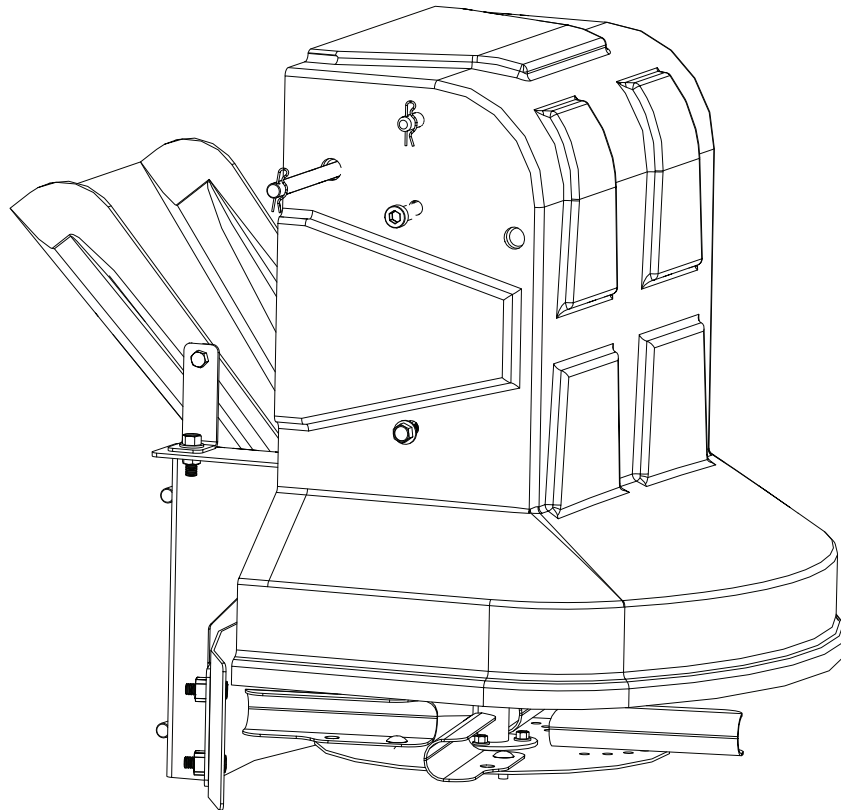


ID #	Part #	Qty
1	D4115	2
2	D4116	2
3	D4119	2
4	D4120	2
5	D4135	1
6	D5382	1
7	D5535	10
8	D5949	8
9	D6158	2

ID #	Part #	Qty
10	D6159	2
11	D6418	4
12	D6452	4
14	D6528	10
15	F50365	1
16	F50366	1
17	F50368	1
18	F50393	1
19	F50407	4

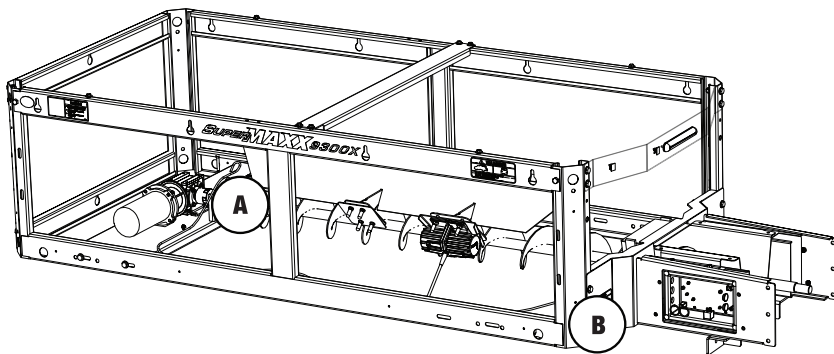
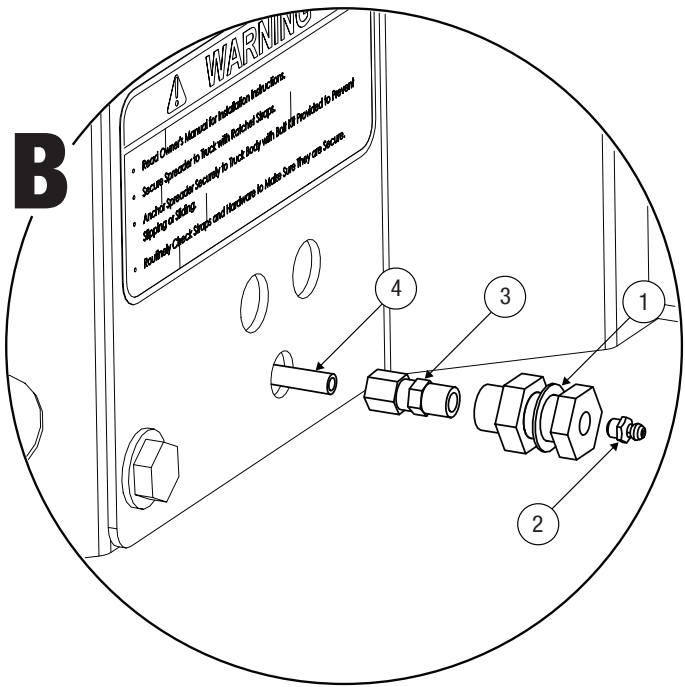
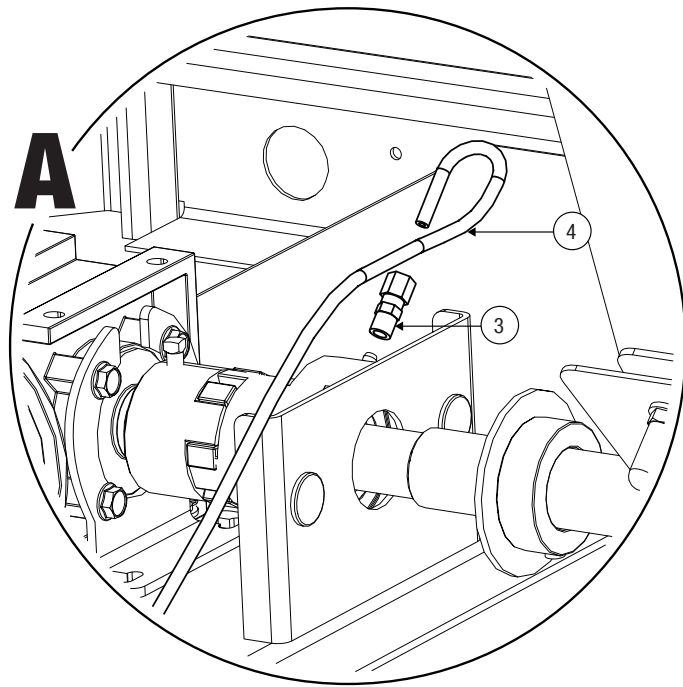
ID #	Part #	Qty
20	F50465	1
21	F50587	8
23	F50884	1
24	F50888	1
25	F50894	1
26	F50906	1
27	F50912	4
28	T15018	8





ID #	Part #	Qty
1	D4135	3
2	D5022	4
3	D5949	8
4	D6132	3
5	D6133	2
6	D6418	4
7	D6452	12
8	D6453	4
9	D6584	2
10	D6824	1
11	D6828	1
12	D6887	1
13	F50316	1

ID #	Part #	Qty
14	F50318	1
15	F50366	1
16	F50407	2
17	F50517	1
18	F51022	1
19	F51024	1
20	F51025	2
21	F51026	1
22	F51048	1
23	T15016	3
24	T15018	8
25	T30207	4



ID #	Part #	Qty
1	D6982	1
2	D6983	1
3	D6984	2
4	D6987-108	1

