



Fisher Engineering

50 Gordon Drive, Rockland, Maine 04841-2139 • www.fisherplows.com

**78319, 78322,
78325**

September 1, 2013
Lit. No. 94218, Rev. 01



Hopper Spreader Components

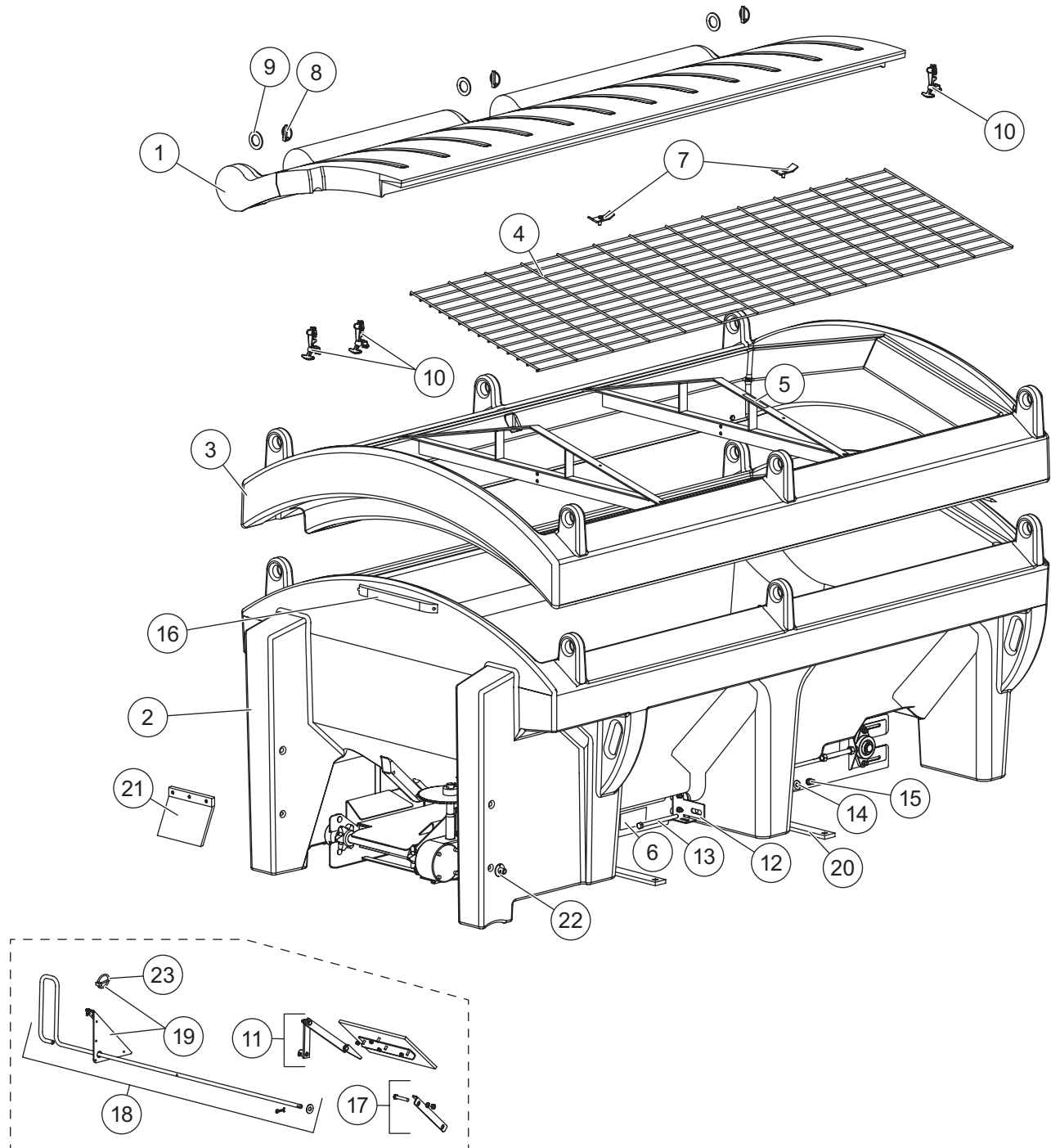
POLY-CASTER™ Hopper Spreader 24V DC

Parts List

This Parts List is for FISHER® POLY-CASTER hopper spreaders with serial numbers beginning with 120927 and higher.

POLY-CASTER™ HOPPER SPREADER

HOPPER COMPONENTS

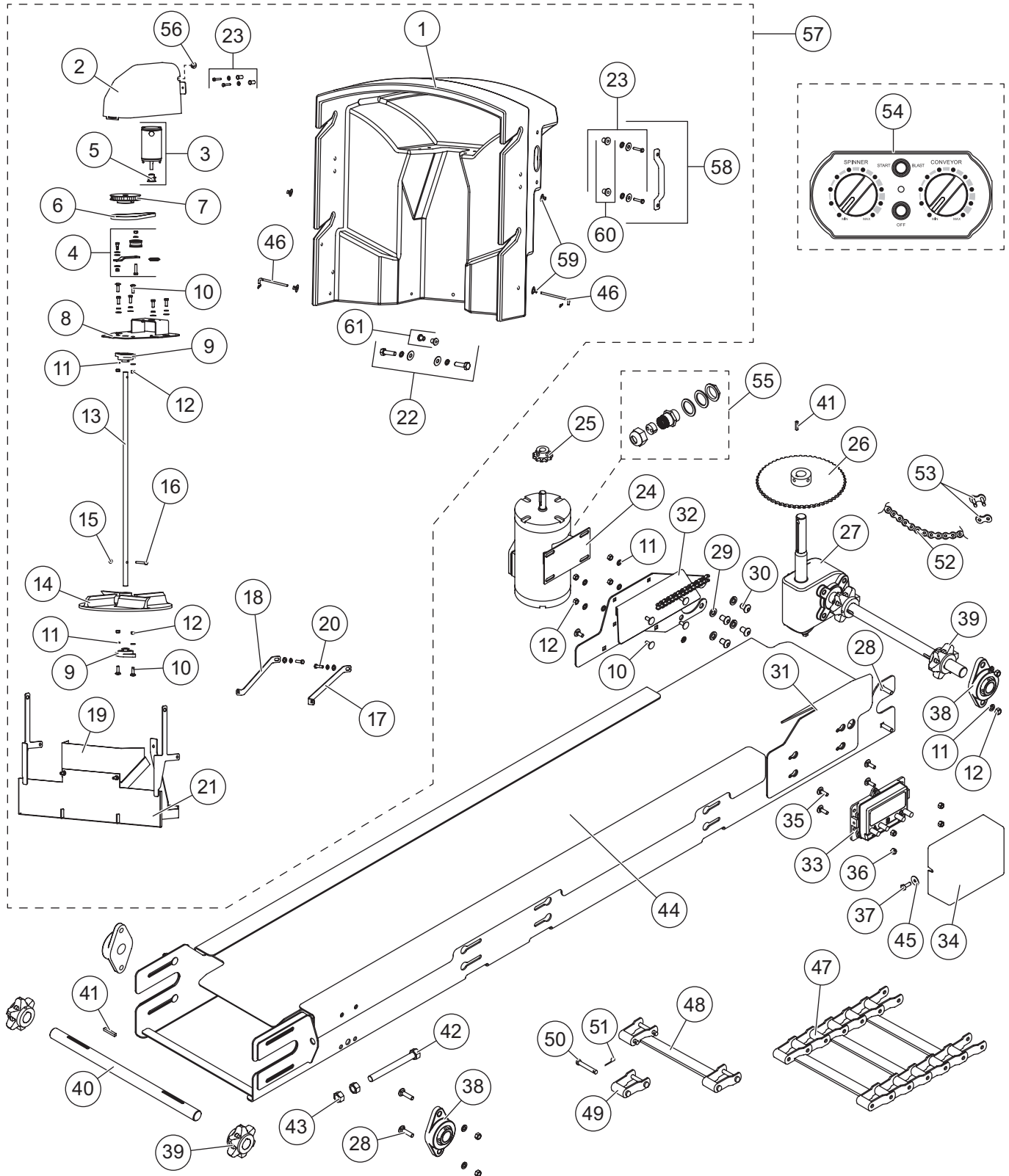


POLY-CASTER™ HOPPER SPREADER

Hopper Components							
Item	Part	Qty	Description	Item	Part	Qty	Description
1	78018	1	Poly Hopper Lid, DS – 7'	ns	78133	3	Hopper Mounting Bracket – DS
	78019	1	Poly Hopper Lid, DS – 8'	13	78203	4	1/2-13 x 7-1/2 Hex Cap Screw SS
ns	78020	1	Poly Hopper Lid, PS – 7'	14	68109	4	1/2 Flat Washer SS
	78021	1	Poly Hopper Lid, PS – 8'	15	95834	4	1/2-13 Hex Locknut SS
2	78010	1	Poly Hopper Body 7'	ns	90375	8	3/8-16 x 1 Carriage Bolt SS
	78013	1	Poly Hopper Body 8'	ns	91282	8	3/8 Lock Washer SS
3	78227	1	Poly Hopper 8' Collar	ns	91431	8	3/8-16 Hex Nut SS
4	78115	2	Top Screen, 7' (Painted)	16	78048	1	CHMSL Kit (w/Fasteners)
	78116	2	Top Screen, 8' (Painted)	17	78083	2	Feed Gate Guide (1) w/Fasteners Kit (incl. 94495 [2], 78047, 91350 [2])
5	78117-1	2	Adjustable Top Screen Brace w/Label (67272) Poly Hopper	18	78094	1	Feed Gate Handle Kit (incl. item 14, 78029, 90601 [2])
6	68584	2	Label, Warning/Caution – Spreaders	19	78098	1	Feed Gate Detent Bracket (incl. item 23, 78028 w/Fasteners)
7	96038	4	Wing Bolt	ns	66438	4	3/8-16 x 1-1/2 Hex Cap Screw
8	93010	6	Linchpin	20	78109	2	Mounting Bar (incl. items 14 [2], 15 [2], 78056, 90380 [2])
9	78097	6	Washer 2.5 OD x 1.53 ID SS	ns	78242	1	Poly Hopper Collar Hardware Kit
10	65224	3	Strap, Rubber Hold-Down Assembly	21	78177	1	Sprocket Shield Kit
ns	61246	1	Cable Boot	22	78262	2	Chute Attachment Sleeve Kit
ns	8289	1	Boot Bracket	23	93042	1	3/16 Linchpin
ns	96375	1	3/8 x 1 Sheet Metal Screw				
11	78118	1	Feed Gate Assembly Kit Poly Hopper (incl. 78093, 90601)				
12	78119	3	Hopper Mounting Bracket – PS				
ns = not shown		SS = Stainless Steel			G = Grade		

POLY-CASTER™ HOPPER SPREADER

DRIVE COMPONENTS



POLY-CASTER™ HOPPER SPREADER

Drive Components							
Item	Part	Qty	Description	Item	Part	Qty	Description
1	78123	1	Chute Cover	40	94351	1	Idler Shaft
2	78287	1	Chute Motor Cover	41	65174	5	Machine Key 0.250 sq x 1.500 lg
3	79063	1	Motor 24 V DC 1/3 hp (incl. item 5)	42	65609	2	5/8-11 x 6 Take-Up Bolt SS
4	78298	1	Idler Kit	43	91435	4	5/8-11 Hex Nut
5	93101	1	10-Tooth Cogged Belt Pulley	44	78192	1	Sill, 7'
6	78285	1	Gear Belt		78193	1	Sill, 8'
7	78066	1	40-Tooth Cogged Belt Pulley 3/4 Bore	45	67155	2	5/16 Flat Washer SS
8	78297	1	Chute Motor Base Plate	46	78031	1	Chute Attachment Pin Bag (2-pack)
9	96167	2	Pillow Block Bearing 3/4 Bore	47	78076	1	Pintle Chain, 99 Links
10	90375	28	3/8-16 x 1 Carriage Bolt SS		94898	1	Pintle Chain, 108 Links
11	91282	18	3/8 Lock Washer SS	48	68492	AR	Conveyor Repair Bar w/Pins
12	91431	7	3/8-16 Hex Nut SS	49	68475	AR	Conveyor Repair Link w/Pins
13	78283	1	Spinner Shaft	50	41743	AR	Conveyor Chain Pin, w/Cotter
14	94424	1	Spinner Poly	51	91897	AR	3/32 x 1/2 Cotter Pin
15	91430	1	5/16-18 Hex Nut SS	52	78075	1	#40 Chain w/Master Link
16	94495	1	5/16-18 x 2-1/4 Hex Cap Screw SS	53	95894	AR	#40 Chain Master Link
17	78301	1	Brace, DS	54	79039	1	Cab Control w/Adapter
18	78302	1	Brace, PS	55	78201	1	Seal Kit
19	78294	1	Deflector	56	66130	1	Grommet
20	90376	5	3/8-16 x 3/4 Hex Cap Screw SS	57	79061	1	Full Chute Assembly
21	78130	1	Spinner Guard	58	78247	2	Chute Handle Kit
22	78268	1	3/8" Well Nut Fastener Kit	59	78262	4	Chute Attachment Sleeve Kit
23	78270	1	1/4" Well Nut Fastener Kit	60	78269	1	1/4 Well Nut (pkg of 2)
24	79065	1	Motor 24 V DC 1/2 hp	61	78267	1	3/8 Well Nut (pkg of 2)
25	95777	1	Sprocket, #40 x 11T x 5/8	ns	78199	1	CHMSL Harness Kit
26	78057	1	Sprocket, #40 x 55T x 1	ns	29217	1	Vehicle Power Cable
27	95567	1	Gear Case 20:1	ns	48808	1	Spreader Power Cable
28	68345	10	3/8-16 x 1-1/2 Carriage Bolt SS	ns	28586	1	Vehicle-Side Control Harness
29	91284	4	1/2 Lock Washer Spring SS	ns	78103	1	Wiring – Module to Motor
30	68360	4	1/2-13 x 3/4 Button Cap Screw	ns	78104	1	Wiring – Module to Spinner Connector
31	78131	1	Chain Guard DS Rear	ns	78105	1	Wiring – Spinner Connector to Spinner Motor
32	78132	1	Chain Guard PS Rear				
33	79041	1	Control Module – Dual Motor	ns	95836	1	Fuse, 100 Amp
34	78108	1	Module Cover	ns	95837	1	Fuse Holder
35	90556	4	5/16-18 x 1 Carriage Bolt	ns	22511	1	22" Battery Cable
36	91350	4	5/16-18 Hex Locknut GB SS	ns	78246	1	Control Bracket Kit
37	90381	2	1/4-20 x 3/4 Hex Cap Screw SS	ns	8291K	1	Plug Cover Kit
38	94536	3	1-1/8 Bearing, 2-Bolt Flange	ns	78266	1	Chain Wiper Kit
39	65909	4	Drive Sprocket Machining 6T				
Accessories							
ns	78150	1	Inverted Vee Kit, 7' Models	ns	78120	1	Inverted Vee Kit, 8' Models
ns = not shown		SS = Stainless Steel		AR = As Required		G = Grade	

POLY-CASTER™ HOPPER SPREADER

Copyright © 2013 Douglas Dynamics, LLC. All rights reserved. This material may not be reproduced or copied, in whole or in part, in any printed, mechanical, electronic, film or other distribution and storage media, without the written consent of Fisher Engineering. Authorization to photocopy items for internal or personal use by Fisher Engineering outlets or spreader owner is granted.

Fisher Engineering reserves the right under its product improvement policy to change construction or design details and furnish equipment when so altered without reference to illustrations or specifications used. Fisher Engineering or the vehicle manufacturer may require or recommend optional equipment for spreaders. Do not exceed vehicle ratings with a spreader. Fisher Engineering offers a limited warranty for all spreaders and accessories. See separately printed page for this important information. The following are registered (®) or unregistered (™) trademarks of Douglas Dynamics, LLC: FISHER®, POLY-CASTER™.

Printed in U.S.A.
