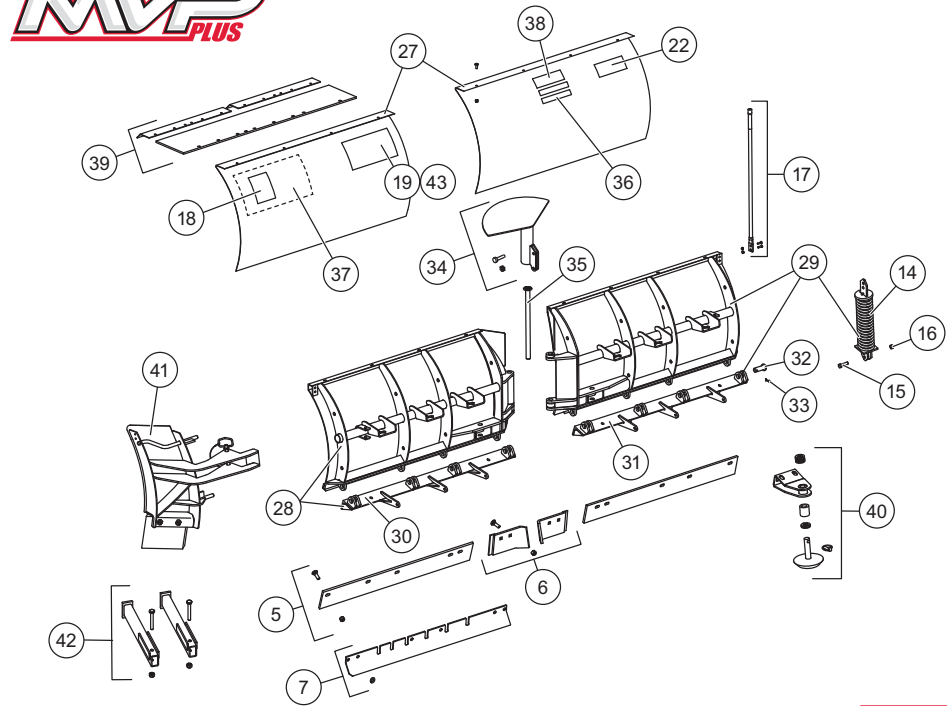




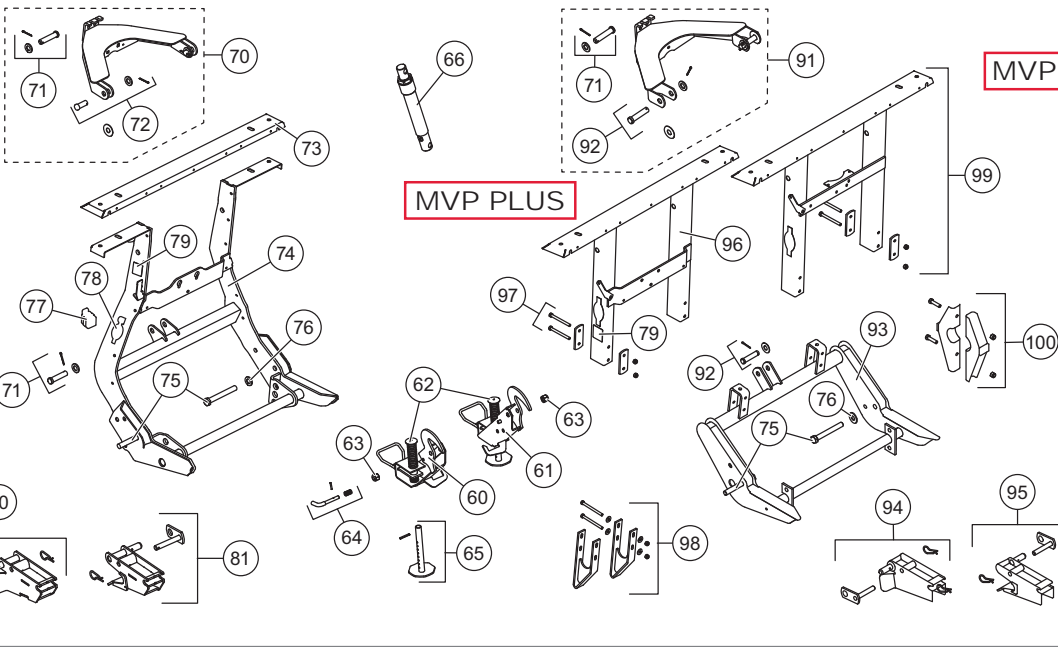
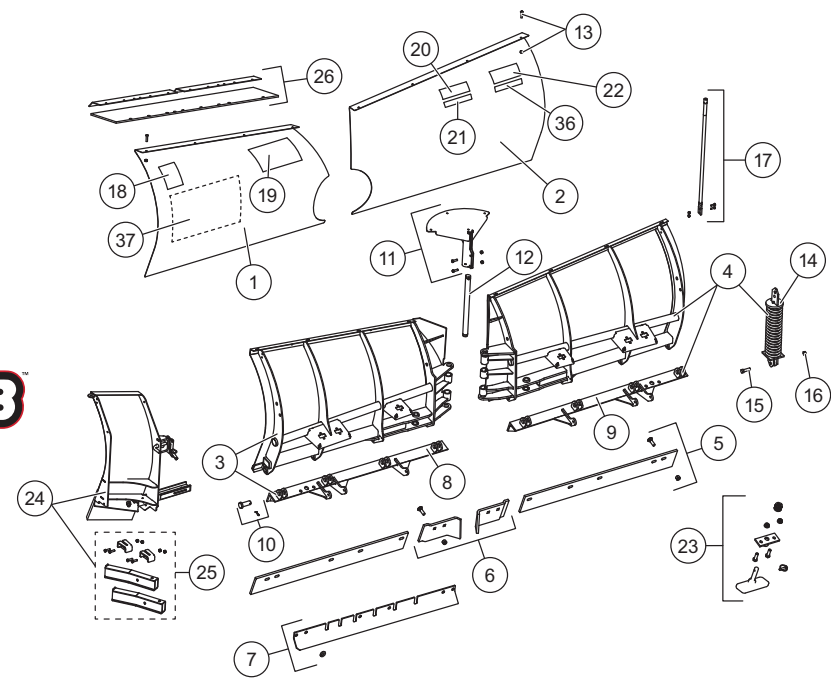
MVP 3™ // MVP PLUS™ // MVP®

UltraMount® & UltraMount® 2 Systems

SERVICE PARTS

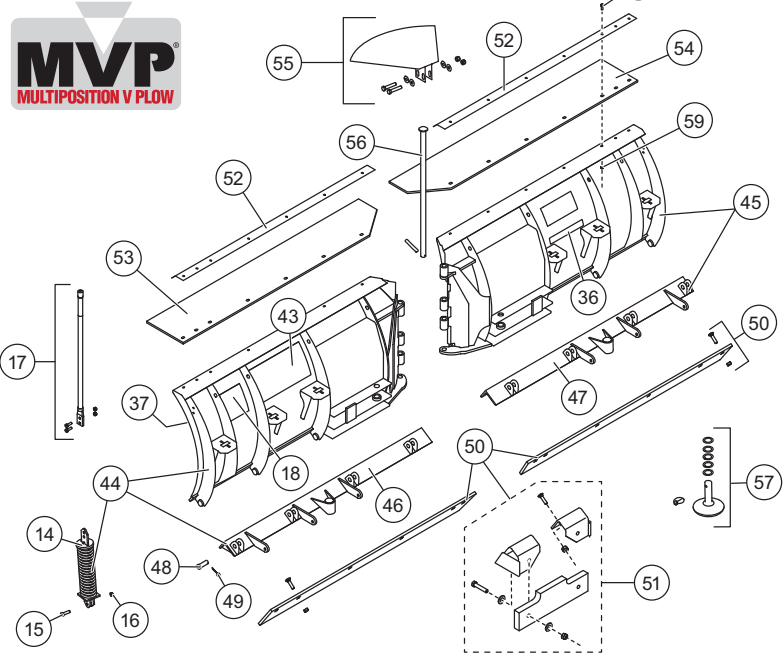


MVP 3 & MVP PLUS



MVP PLUS

MVP



Complete parts lists available at www.westernplows.com. MVP 3 – Lit. No. 43072; MVP PLUS – Lit. No. 49588 (UltraMount) or 43189 (UltraMount 2); MVP – Lit. No. 63888.

BLADE COMPONENTS

Item	Part	Description	Item	Part	Description
1	43137	MVP 3 Moldboard Kit w/Labels – DS 7-1/2' MS	27	(continued)	
43138	MVP 3 Moldboard Kit w/Labels – DS 8-1/2' MS		44719	MVP PLUS Moldboard Kit w/Labels 8-1/2' Poly	
43139	MVP 3 Moldboard Kit w/Labels – DS 9-1/2' MS		44720	MVP PLUS Moldboard Kit w/Labels 9-1/2' Poly	
43140	MVP 3 Moldboard Kit w/Labels – DS 7-1/2' Poly		28	44730 MVP PLUS Frame, Base Angle & Spring Assy – DS 7-1/2'	
43141	MVP 3 Moldboard Kit w/Labels – DS 8-1/2' Poly		44731	MVP PLUS Frame, Base Angle & Spring Assy – DS 8-1/2'	
43142	MVP 3 Moldboard Kit w/Labels – DS 9-1/2' Poly		44732	MVP PLUS Frame, Base Angle & Spring Assy – DS 9-1/2'	
74402	MVP 3 Moldboard Kit w/Labels – DS 7-1/2' SS		29	44733 MVP PLUS Frame, Base Angle & Spring Assy – PS 7-1/2'	
74403	MVP 3 Moldboard Kit w/Labels – DS 8-1/2' SS		44734	MVP PLUS Frame, Base Angle & Spring Assy – PS 8-1/2'	
74404	MVP 3 Moldboard Kit w/Labels – DS 9-1/2' SS		44735	MVP PLUS Frame, Base Angle & Spring Assy – PS 9-1/2'	
2	43158	MVP 3 Moldboard Kit w/Labels – PS 7-1/2' MS	30	44142 MVP PLUS Base Angle – DS 7-1/2'	
43159	MVP 3 Moldboard Kit w/Labels – PS 8-1/2' MS		44144	MVP PLUS Base Angle – DS 8-1/2'	
43160	MVP 3 Moldboard Kit w/Labels – PS 9-1/2' MS		44146	MVP PLUS Base Angle – DS 9-1/2'	
43161	MVP 3 Moldboard Kit w/Labels – PS 7-1/2' Poly		31	44143 MVP PLUS Base Angle – PS 7-1/2'	
43162	MVP 3 Moldboard Kit w/Labels – PS 8-1/2' Poly		44145	MVP PLUS Base Angle – PS 8-1/2'	
43163	MVP 3 Moldboard Kit w/Labels – PS 9-1/2' Poly		44147	MVP PLUS Base Angle – PS 9-1/2'	
74405	MVP 3 Moldboard Kit w/Labels – PS 7-1/2' SS		32	27227 1 x 2-3/4 Clevis Pin	
74406	MVP 3 Moldboard Kit w/Labels – PS 8-1/2' SS		33	90607 1/4 x 1-3/4 Cotter Pin	
74407	MVP 3 Moldboard Kit w/Labels – PS 9-1/2' SS		34	44570 Center Snow Control Kit, MVP PLUS 7-1/2' & 8-1/2'	
3	43143	MVP 3 Frame, Base Angle & Spring Assembly – DS 7-1/2'	35	44571 Center Snow Control Kit, MVP PLUS 9-1/2'	
43144	MVP 3 Frame, Base Angle & Spring Assembly – DS 8-1/2'		36	28404 Label – ULTRAFINISH™ (MS moldboard)	
43145	MVP 3 Frame, Base Angle & Spring Assembly – DS 9-1/2'		37	40986 Label – CONTRACTOR GRADE® (MS/poly moldboard)	
4	43146	MVP 3 Frame, Base Angle & Spring Assembly – PS 7-1/2'	38	44453 Label – Identity, MVP PLUS	
43147	MVP 3 Frame, Base Angle & Spring Assembly – PS 8-1/2'		39	44280 Deflector Kit, MVP PLUS (accessory only)	
43148	MVP 3 Frame, Base Angle & Spring Assembly – PS 9-1/2'		40	44277-1 Shoe Kit, set of 2 (accessory only)	
5	44561-2	3/8" Cutting Edge Kit 7-1/2'	41	44510-1 MVP PLUS Blade Wing Ext. Kit 8-1/2', 9-1/2' (acc. only)	
44564-2	3/8" Cutting Edge Kit 8-1/2'		42	44473 Blade Stop Kit, MVP PLUS (accessory only)	
44284-2	1/2" Cutting Edge Kit 7-1/2' (accessory only)		43	67796 Label – UltraMount Attach/Detach	
44285-2	1/2" Cutting Edge Kit 8-1/2' (accessory only)		44	63956 MVP Wing – DS 8-1/2' (incl. Base Angle & Spring Assy)	
44567-2	1/2" Cutting Edge Kit 9-1/2'		45	63957 MVP Wing – PS 8-1/2' (incl. Base Angle & Spring Assy)	
6	44894-1	Center Cutting Edge Kit	46	63958 MVP Wing – DS 9-1/2' (incl. Base Angle & Spring Assy)	
7	44281-3	Back Drag Edge Kit 7-1/2' (accessory only)	47	63959 MVP Wing – PS 9-1/2' (incl. Base Angle & Spring Assy)	
44282-3	Back Drag Edge Kit 8-1/2' (accessory only)		48	64029 MVP Base Angle – DS 8-1/2'	
44283-3	Back Drag Edge Kit 9-1/2' (accessory only)		63960	MVP Base Angle – DS 9-1/2'	
8	43126	MVP 3 Base Angle – DS 7-1/2'	47	64030 MVP Base Angle – PS 8-1/2'	
43128	MVP 3 Base Angle – DS 8-1/2'		63961	MVP Base Angle – PS 9-1/2'	
43130	MVP 3 Base Angle – DS 9-1/2'		48	5523 3/4 x 2-3/16 Machine Pin	
9	43127	MVP 3 Base Angle – PS 7-1/2'	49	91911 5/32 x 1-1/2 Cotter Pin	
43129	MVP 3 Base Angle – PS 8-1/2'		10	43745 1 x 2-3/4 Clevis Pin w/Cotter	
43131	MVP 3 Base Angle – PS 9-1/2'		11	43118 Center Snow Control Kit, MVP 3	
10	43745	1 x 2-3/4 Clevis Pin w/Cotter	12	49844 Main Pivot Pin, MVP 3	
11	43118	Center Snow Control Kit, MVP 3	13	43890 Moldboard Fasteners Kit	
12	49844	Main Pivot Pin, MVP 3	14	21452 Removable Spring Assembly	
13	43890	Moldboard Fasteners Kit	15	91000 7/16-14 x 1/2 x 1-5/8 Shoulder Bolt	
14	21452	Removable Spring Assembly	16	90353 7/16-14 Hex Locknut GB	
15	91000	7/16-14 x 1/2 x 1-5/8 Shoulder Bolt	17	62595 Poly Blade Guide Kit	
16	90353	7/16-14 Hex Locknut GB	18	59900 Label – Warning/Caution, Snowplows	
17	62595	Poly Blade Guide Kit	19	43360 Label – UltraMount 2 Attach/Detach	
18	59900	Label – Warning/Caution, Snowplows	20	41696 Label – Identity, MVP 3	
19	43360	Label – UltraMount 2 Attach/Detach	21	43950 Label – Blade Size & Serial Number (MS moldboard)	
20	41696	Label – Identity, MVP 3	43951	Label – Blade Size & Serial Number (poly moldboard)	
21	43950	Label – Blade Size & Serial Number (MS moldboard)	22	44451 Label – Identity, WESTERN® 8.31"	
43951	Label – Blade Size & Serial Number (poly moldboard)		23	43088 Shoe Kit, set of 2 (accessory only)	
22	44451	Label – Identity, WESTERN® 8.31"	24	43510 MVP 3 Blade Wing Extension Kit 8-1/2', 9-1/2' (acc. only)	
23	43088	Shoe Kit, set of 2 (accessory only)	25	43082 Deflector Kit, MVP 3 (accessory only)	
24	43510	MVP 3 Blade Wing Extension Kit 8-1/2', 9-1/2' (acc. only)	26	41810 Deflector Kit, Universal 10" (accessory only)	
25	43082	Deflector Kit, MVP 3 (accessory only)	41811	Deflector Kit, Universal 18" (accessory only)	
26	41810	Deflector Kit, Universal 10" (accessory only)	27	44715 MVP PLUS Moldboard Kit w/Labels 7-1/2' MS	
41811	Deflector Kit, Universal 18" (accessory only)		44716	MVP PLUS Moldboard Kit w/Labels 8-1/2' MS	
27	44715	MVP PLUS Moldboard Kit w/Labels 7-1/2' MS	44717	MVP PLUS Moldboard Kit w/Labels 9-1/2' MS	
44716	MVP PLUS Moldboard Kit w/Labels 8-1/2' MS		44718	MVP PLUS Moldboard Kit w/Labels 7-1/2' Poly	
44717	MVP PLUS Moldboard Kit w/Labels 9-1/2' MS		ns	28548 Blade Label Kit – UltraMount	
44718	MVP PLUS Moldboard Kit w/Labels 7-1/2' Poly		ns	28548 Blade Label Kit – UltraMount	

LIFT FRAME/T-FRAME COMPONENTS

Item	Part	Description	Item	Part	Description
49	91911	5/32 x 1-1/2 Cotter Pin	84	44341	Angle Ram Assy 1-3/4 x 11 DA, MVP 3 & MVP PLUS
60	67845	Stand Assembly – DS (UltraMount 2, UltraMount)	85	22260	1 x 4-3/4 Clevis Pin
61	67846	Stand Assembly – PS (UltraMount 2, UltraMount)	86	90601	1/4 x 1-1/2 Cotter Pin
62	48523	Plunger w/Spring	87	43116	T-Frame Service Kit, MVP 3
63	91338	3/4-10 Hex Locknut GB	88*	63913	3/4-10 x 2-1/2 Carriage Bolt G5
64	67844	Stand Lock Pin Kit	90459	3/4-10 x 2-1/2 Hex Cap Screw G5	
65	67847	Stand Shoe Kit (UltraMount 2, UltraMount)	89	43153	Stacking Stop Kit, MVP 3
66	43149	Lift Ram Assembly 1-3/4 x 8, MVP 3	90	44546-2	T-Frame Service Kit, MVP PLUS
56538K	Lift Ram Assembly 1-1/2 x 8, MVP PLUS & MVP		91	67850-2	Lift Arm Kit (UltraMount)
67	49033	1/4 Grade 43 Chain Assembly (UltraMount 2, UltraMount)	92	93063K	3/4 x 3-1/4 Clevis Pin Kit
68	67842-1	Pivot Bar Kit (UltraMount 2, UltraMount)	93	67556-2	Lower Lift Frame (UltraMount)
69	67855	Pivot Bolt Kit (UltraMount 2, UltraMount)	94	67858	Receiver Kit – DS (UltraMount)
70	43304	Lift Arm Kit (UltraMount 2)	95	67859	Receiver Kit – PS (UltraMount)
71	68740	3/4 x 3-1/2 Clevis Pin Kit	96	44545-2	Upper Lift Frame, MVP PLUS (UltraMount) (incl. item 97)
72	43351	3/4 x 2 Clevis Pin Kit	97	44729-1	Upper Lift Frame Fastener Kit
73	43302	Light Channel – Red (UltraMount 2)	98	44727	Stacking Stop Kit, MVP PLUS (UltraMount)
74401	Light Channel – Silver (UltraMount 2)		99	67853-1	Upper Lift Frame Kit, MVP (incl. item 97)
74	43301	Lift Frame Service Kit (UltraMount 2)	100	64031	Stacking Stop Kit, MVP
75	66451	3/4-10 x 6 Hex Cap Screw G5	101	67843	Pivot Plate Service Kit (UltraMount)
76	91147	3/4 Flat Washer	102	64036	T-Frame Service Kit, MVP (incl. items 103–105)
77	61246	Cable Boot	103	63740	Front T-Frame
78	43358	Label – Identity, UltraMount 2	104	63745	Rear T-Frame
79	69689	Label – SECURITY GUARD™	105	64037	Locking Plate Kit
80	42496	Receiver Kit – DS (UltraMount 2)	106	67974	Pivot Pin – DS
81	42497	Receiver Kit – PS (UltraMount 2)	107	67977	Pivot Pin – PS
82	44557-2	Pushbeam	108	56750	Angle Ram Assembly 2 x 11 DA, MVP
83	49645	1 x 4-3/4 Clevis Pin Kit	109	93077K	1 x 4 Rivet

DA = Double Acting DS/PS = Driver/Passenger Side G = Grade
* MVP PLUS (UltraMount) pushbeams with round holes require 90459 Hex Cap Screws.



Western Products
P.O. Box 245038, Milwaukee, WI 53224-9538
www.westernplows.com
Use only genuine WESTERN replacement parts.

Copyright © 2014 Douglas Dynamics, LLC. All rights reserved. This material may not be reproduced or copied, in whole or in part, in any printed, mechanical, electronic, film or other distribution and storage media, without the authorization of Western Products. Authorization to photocopy items for internal or personal use by Western Products outlets or snowplow owner is granted.

Western Products reserves the right under its product improvement policy to change construction or design details and furnish equipment when so altered without reference to illustrations or specifications used. Western Products or the vehicle manufacturer may require or recommend optional equipment for snow removal. Do not exceed vehicle ratings with a snowplow. Western Products offers a limited warranty for all snowplows and accessories. See separately printed page for this important information. The following are registered (®) or unregistered (™) trademarks of Douglas Dynamics, LLC: CONTRACTOR GRADE®, MVP®, MVP 3™, MVP PLUS™, SECURITY GUARD™, ULTRAFINISH™, UltraMount®, UltraMount 2®, WESTERN®.