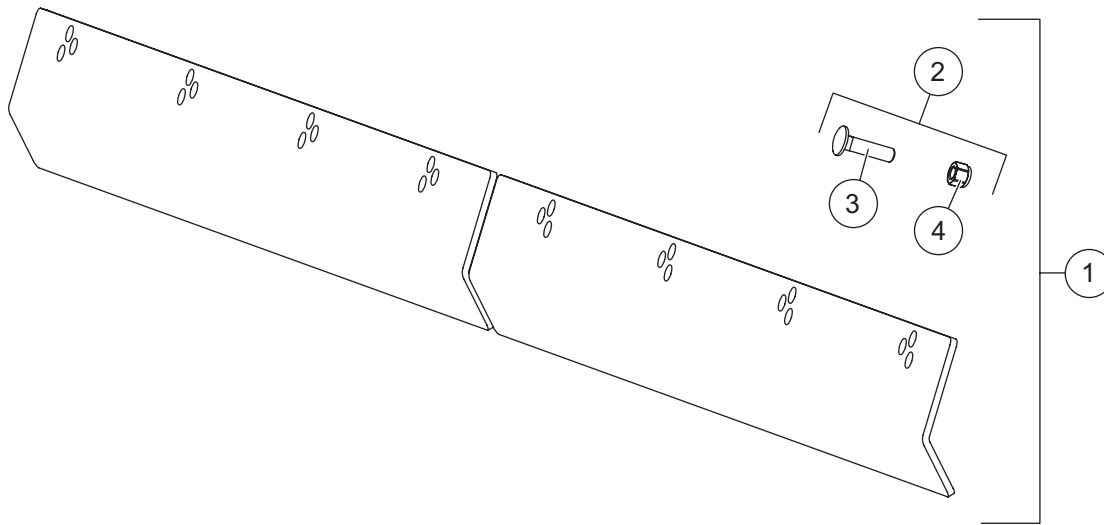




Back Drag Edge Kit

HD2™ and HDX™ Snowplows

PARTS LIST



Back Drag Edge Kit – HD2 and HDX					
Item	Description	Part Number			
		7-1/2' Blade	8' Blade	8-1/2' Blade	9' Blade
1	Back Drag Edge Kit	51996	51997	51998	51999
2	Bolt Bag – Back Drag Edge	52174			52173

52174 Bolt Bag – 7-1/2', 8', 8-1/2' Blades					
Item	Qty	Description	Item	Qty	Description
3	8	1/2-13 x 2-1/2 Carriage Bolt G5	4	8	1/2-13 Hex Locknut GB
52173 Bolt Bag - 9' Blade					
3	11	5/8-11 x 2-1/2 Carriage Bolt G5	4	11	5/8-11 Hex Locknut GB

INSTALLATION INSTRUCTIONS

⚠ WARNING

Do not exceed GVWR or GAWR, including blade and ballast. The rating label is found on the driver-side vehicle door cornerpost.

⚠ WARNING

Blade can drop unexpectedly. Place A-frame on jack stands. Failure to do so could result in serious personal injury.

⚠ CAUTION

Read this document before installing the back drag edge.

⚠ CAUTION

Use standard methods and practices when attaching snowplow and installing accessories, including proper personal protective safety equipment.

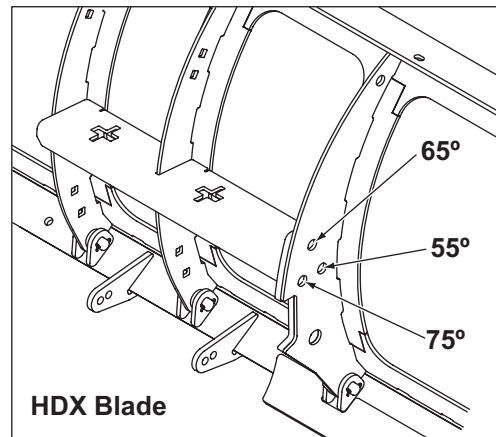
⚠ CAUTION

See your FISHER® outlet/Web site for specific vehicle application recommendations before installation. Back drag edge weight information may be found in the eMatch selection system.

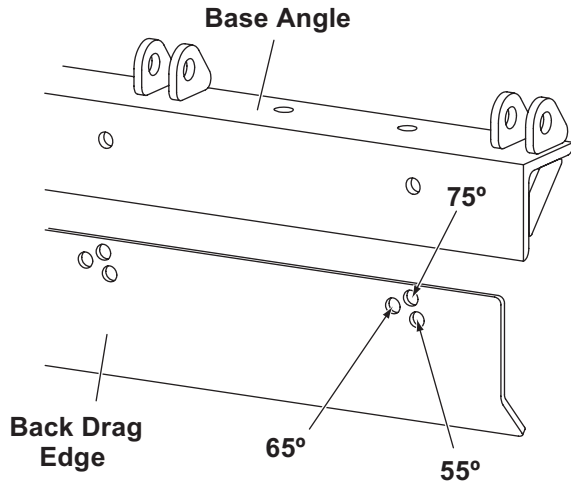
1. Park the vehicle on a smooth, level, hard surface, such as concrete. Raise the blade, then turn the control OFF. From the side of the blade assembly, place jack stands under the A-frame.
2. Turn the control ON and lower the blade so the A-frame rests securely on the jack stands or blocking. Turn the control OFF. Turn the vehicle ignition to the "OFF" position and remove the key.
3. Remove the fasteners that secure the cutting edge to the blade. Retain the cutting edge if it is to be reinstalled in Step 6.
4. The blade attack angle determines which holes to use for installing the back drag edges.

HD2™ blades are set at a 55° attack angle.

HDX™ blades can be set at a 55°, 65°, or 75° attack angle. Determine the current blade setting by noting which holes are used for attaching quadrant to blade.

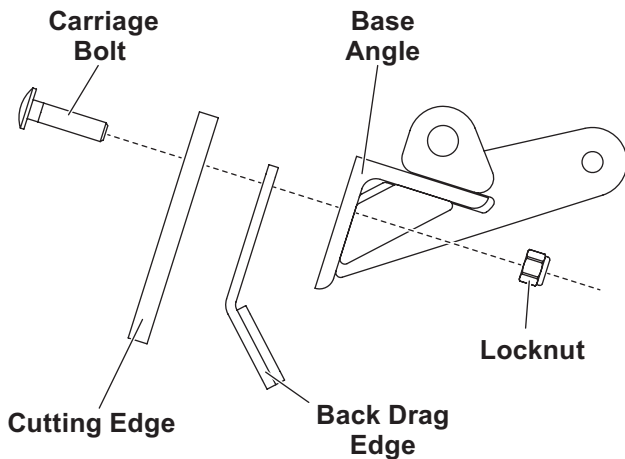


5. Align the back drag edges against the front of the blade base angle, matching up the holes that correspond to the blade attack angle.



7. Tighten to 75 ft-lb (1/2" fasteners) or 150 ft-lb (5/8" fasteners).
8. Turn the vehicle ignition and snowplow control ON. Raise the blade slightly. Turn the control OFF and remove the jack stands.
9. Stand 8 feet clear of the blade, and lower the blade to the ground.

6. Install the back drag edges and cutting edge to the base angle using the supplied 2-1/2" carriage bolts and locknuts.



Copyright © 2015 Douglas Dynamics, LLC. All rights reserved. This material may not be reproduced or copied, in whole or in part, in any printed, mechanical, electronic, film or other distribution and storage media, without the written consent of Fisher Engineering. Authorization to photocopy items for internal or personal use by Fisher Engineering outlets or snowplow owner is granted.

Fisher Engineering reserves the right under its product improvement policy to change construction or design details and furnish equipment when so altered without reference to illustrations or specifications used. Fisher Engineering or the vehicle manufacturer may require or recommend optional equipment for snow removal. Do not exceed vehicle ratings with a snowplow. Fisher Engineering offers a limited warranty for all snowplows and accessories. See separately printed page for this important information. The following are registered (®) or unregistered (™) trademarks of Douglas Dynamics, LLC: FISHER®, HD2™, HDX™.

Printed in U.S.A.
