



**PRO-PLOW[®], PRO-PLOW[®] Series 2,
POLY PRO-PLOW[®] and
POLY PRO-PLOW[®] Series 2 Snowplows**

Steel Blades 60308, 60381 and 60390

Poly Blades 62400 and 62450

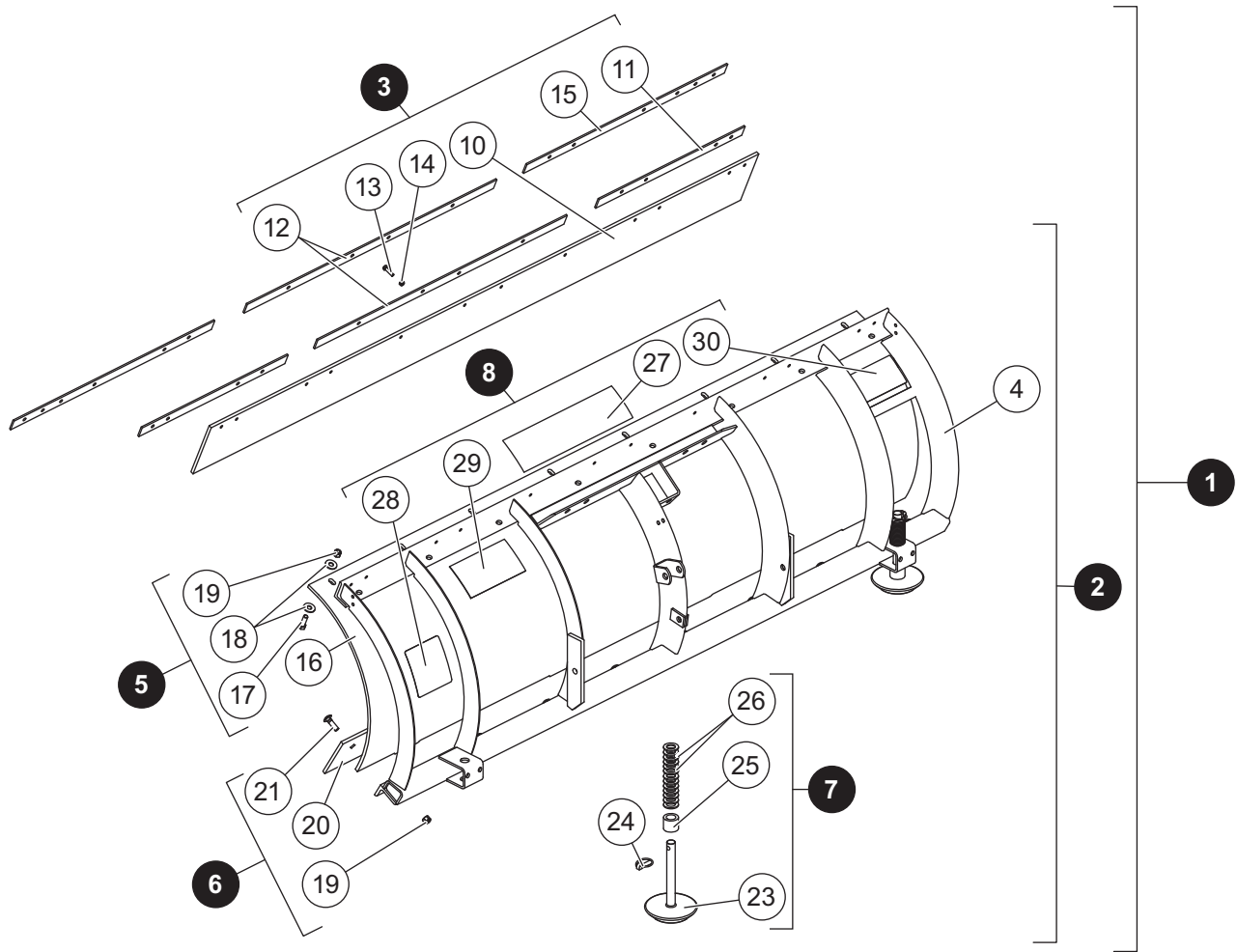
A,Q&L Assembly 67951-2 and 68700

Parts List



POLY BLADE COMPONENTS

POLY PRO-PLOW® and POLY PRO-PLOW® Series 2 Blade Components

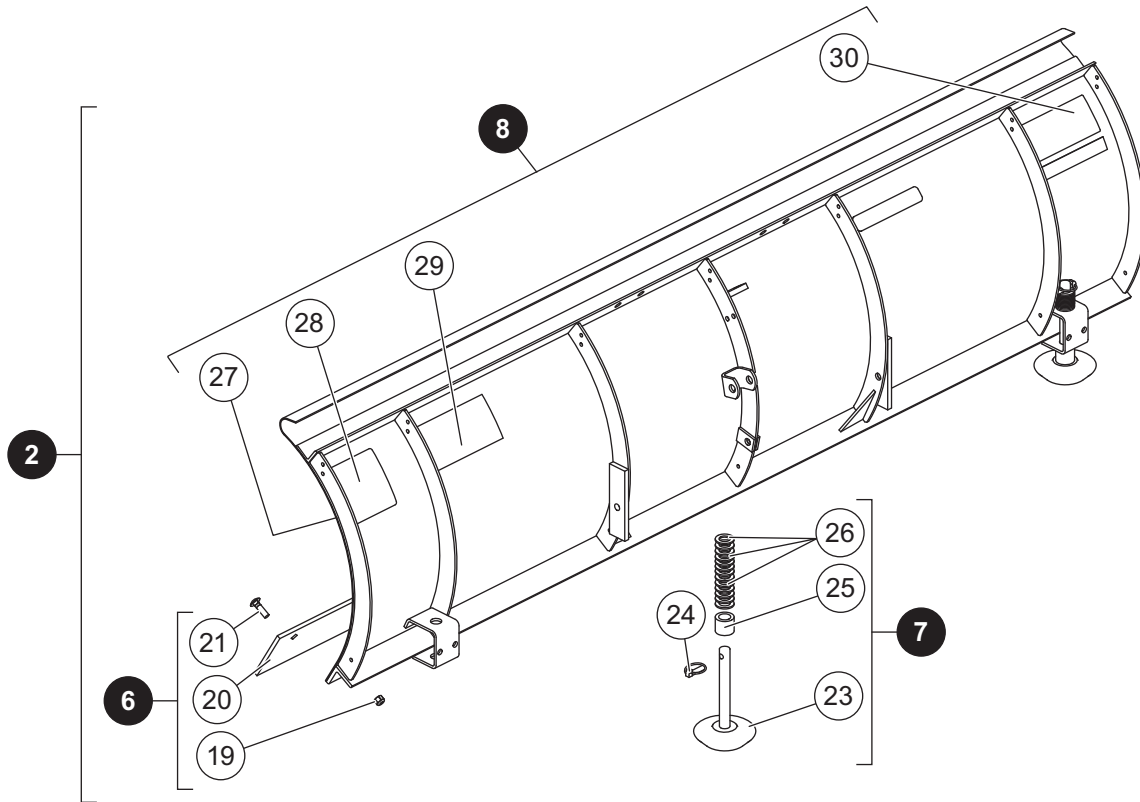


POLY BLADE COMPONENTS

POLY PRO-PLOW® and POLY PRO-PLOW® Series 2 Blade Components							
Item	Part	Qty	Description	Item	Part	Qty	Description
1	62400	1	7-1/2' Blade (62395 and 62396)	4	62350	1	7-1/2' Blade Frame
	62450	1	8' Blade (62420 and 62402)		62415	1	8' Blade Frame
2	62395	1	7-1/2' Blade Assembly (w/o 62396)	5	49322	1	7-1/2' Moldboard Kit
	62420	1	8' Blade Assembly (w/o 62402)		49327	1	8' Moldboard Kit
3	62396	1	7-1/2' Rubber Deflector	6	49312	1	7-1/2' Cutting Edge Assembly
	62402	1	8' Rubber Deflector		49328	1	8' Cutting Edge Assembly
Item 1 Complete Blade w/Deflector							
2		1	Blade Assembly	3		1	Rubber Snow Deflector Assembly
Item 2 Blade Assembly							
4		1	Blade Frame	7	49071	2	Disc Shoe Assembly
5		1	Moldboard Kit	8	28548	1	Blade Label Kit – UltraMount®
6		1	Cutting Edge Assembly				
Item 3 62396 Rubber Deflector Assembly 7-1/2'							
10		1	7-1/2' Rubber Deflector	13	90048	12	5/16-18 x 1-1/4 Hex Cap Screw G5
11	64803	2	7-1/2' Retainer, Outer	14	91332	12	5/16-18 Hex Locknut GB
12	64802	1	Retainer, Inner				
Item 3 62402 Rubber Deflector Assembly 8'							
10		1	8' Rubber Deflector	14	91332	12	5/16-18 Hex Locknut GB
12	64802	1	Retainer, Inner	15	64801	2	8'-9' Retainer, Outer
13	90048	12	5/16-18 x 1-1/4 Hex Cap Screw G5				
Item 5 Moldboard Kit							
16		1	Plastic Moldboard	18	91105	16	1/2 Flat Washer Type A Wide
17	90210	8	1/2-13 x 1-1/2 Hex Cap Screw G5	19	91335	8	1/2-13 Hex Locknut GB
Item 6 Cutting Edge Assembly							
20		1	Cutting Edge	19	91335	8	1/2-13 Hex Locknut GB
21	90238	8	1/2-13 x 1-3/4 Carriage Bolt G8				
Item 7 49071 Disc Shoe Assembly							
23		1	Disc Shoe	25	60045	1	Spacer
24	93010K	1	7/16 x 1-3/4 Linchpin (2-Pack)	26	91192	26	1" Flat Washer Special
Item 8 28548 Blade Label Kit – UltraMount							
27		1	Label – Identity, WESTERN® 22"	29		1	Label – UltraMount Attach/Detach
28		1	Label – Information (Warning)	30		1	Label – Identity, WESTERN 8.31"
G = Grade							

STEEL BLADE COMPONENTS

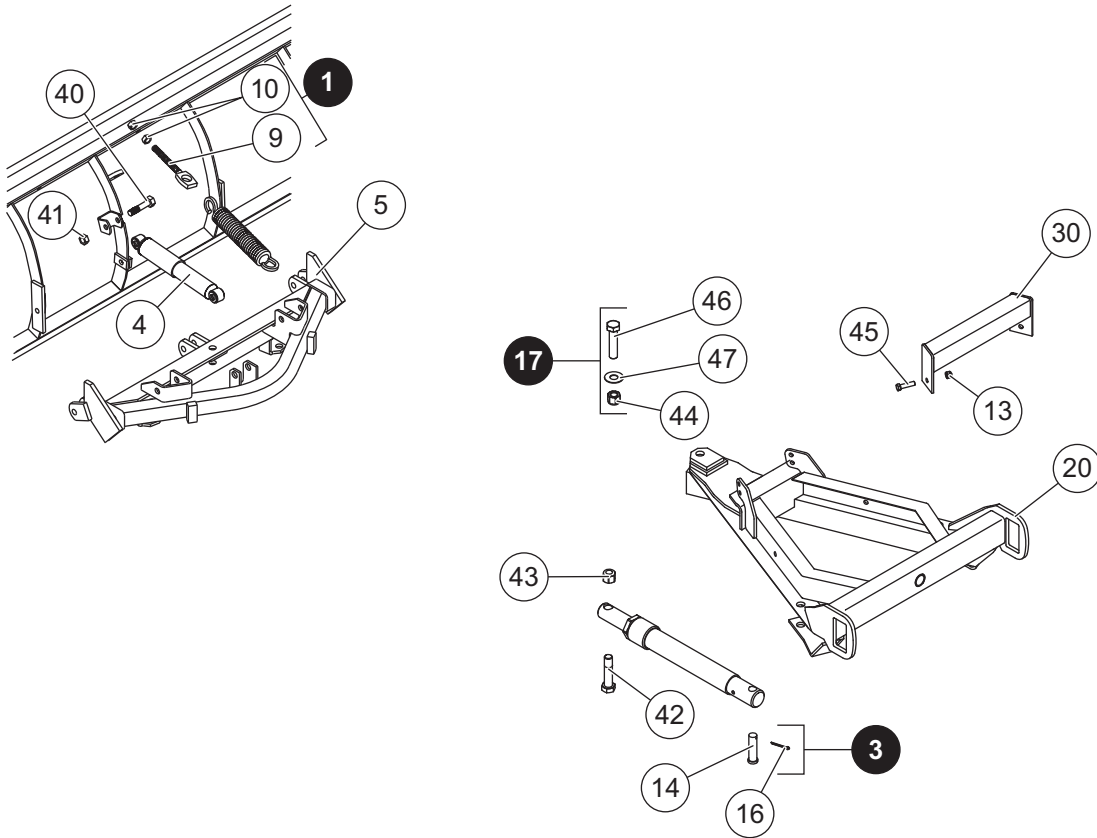
Steel PRO-PLOW® and PRO-PLOW® Series 2 Blade Components



Steel PRO-PLOW® and PRO-PLOW® Series 2 Blade Components							
Item	Part	Qty	Description	Item	Part	Qty	Description
2	60381	1	7-1/2' Blade Assembly	6	49088	1	7-1/2' Cutting Edge Assembly
	60390	1	8' Blade Assembly		49089	1	8' Cutting Edge Assembly
	60308	1	8-1/2' Blade Assembly		49086	1	8-1/2' Cutting Edge Assembly
	50763	1	9' Blade Assembly w/Shoes & Cutting Edge		49251	1	9' Cutting Edge Assembly
	50770	1	9' Blade Assembly w/o Shoes & Cutting Edge		7	49071	2
8	28548	1	Blade Label Kit – UltraMount®	8	28548	1	Blade Label Kit – UltraMount
Item 2 Blade Assembly				Item 7 49071 Disc Shoe Assembly			
6		1	Cutting Edge Assembly	8	28548	1	Blade Label Kit – UltraMount
7	49071	1	Disc Shoe Assembly				
Item 6 Cutting Edge Assembly				Item 7 49071 Disc Shoe Assembly			
19	91335	8*	1/2-13 Hex Locknut GB	23		1	Disc Shoe
20			Cutting Edge	24	93010K	1	7/16 x 1-3/4 Linchpin (2-Pack)
21	90238	8*	1/2-13 x 1-3/4 Carriage Bolt G8	25	60045	1	Spacer
				26	91192	26	1" Flat Washer Special
Item 6 Cutting Edge Assembly				Item 8 28548 Blade Label Kit – UltraMount			
27		1	Label – Identity, WESTERN® 22"	27		1	Label – Identity, WESTERN 8.31"
28		1	Label – Information (Warning)	29		1	Label – UltraMount Attach/Detach
				30		1	Label – Identity, WESTERN 8.31"
* Quantity 10 for 9' Blades				G = Grade			

A,Q&L COMPONENTS

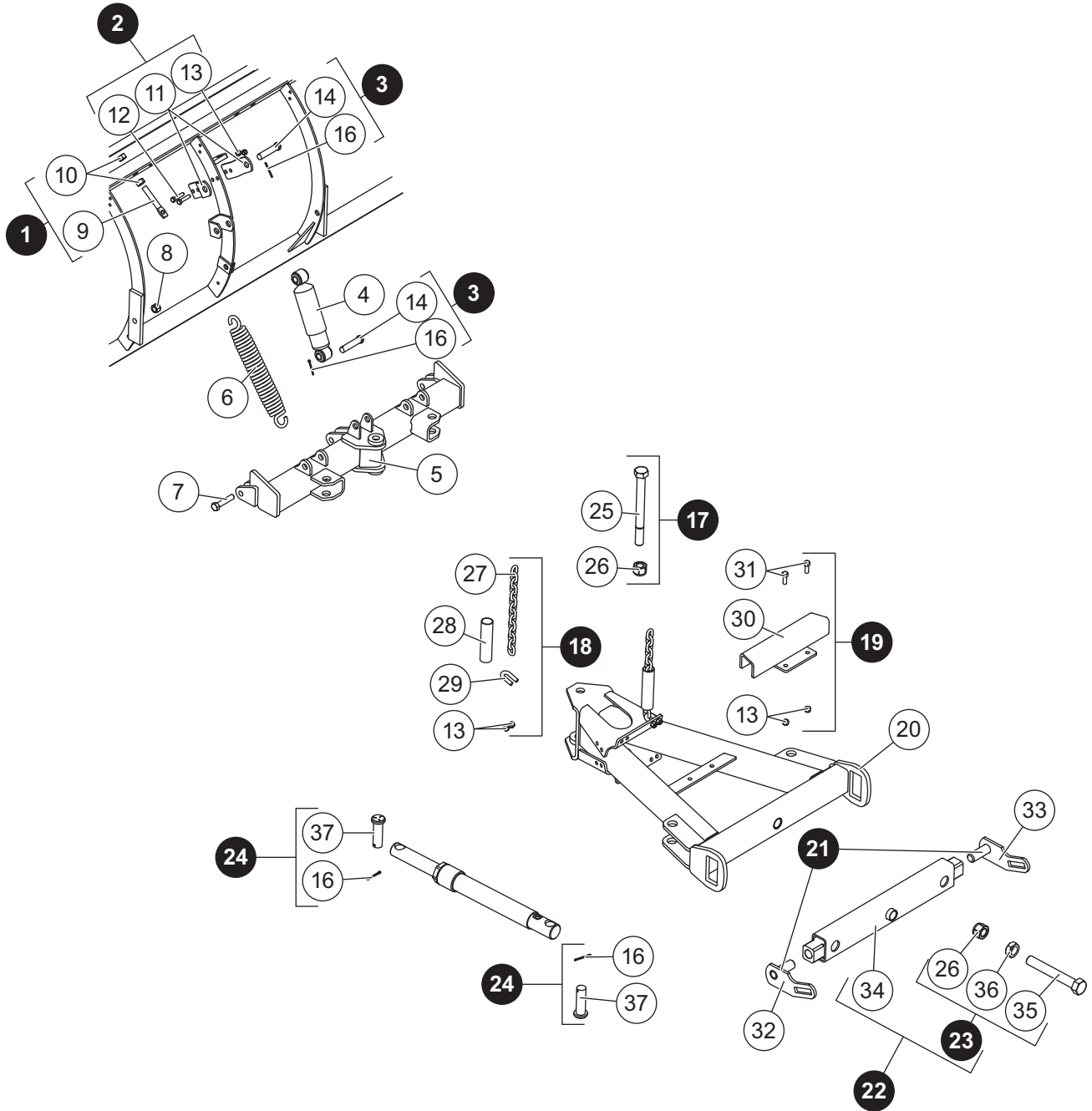
A-Frame and Quadrant Components (early Steel PRO-PLOW® and POLY PRO-PLOW® Blades)



A-Frame and Quadrant Components						
Item	Part	Qty	Description	Item	Part	Qty Description
1	90493K	4	5/8-11 x 6 Eyebolt w/Nuts Kit	30	67676	1 Stacking Stop
3	93063K	5	3/4 x 3-1/4 Clevis Pin Kit	40	66450	5 2-3/4-10 x 3 Hex Cap Screw G5
4	60338	1	Shock Absorber Assembly	41	91339	5 2-3/4-10 Hex Jam Locknut GB
5	67848	1	Quadrant	42	90161	2 3/4-10 x 4 Hex Cap Screw G5
13	91333	2	3/8-16 Hex Locknut GB	43	91338	4 3/4-10 Hex Locknut GB
17	67856	1	Nose Plate Bolt Kit	45	66456	2 3/8-16 x 1-1/4 Hex Cap Screw G5
20	67854	1	A-Frame			
Item 1 90493K 5/8-11 x 6 Eyebolt w/Nuts Kit						
9		1	5/8-11 x 6 Eyebolt	10		2 5/8-11 Hex Nut G5
Item 3 93063K 3/4 x 3-1/4 Clevis Pin Kit						
14		1	3/4 x 3-1/4 Clevis Pin	16		1 5/32 x 1-1/2 Cotter Pin
15*		1	3/4 Flat Washer Type A Narrow			
Item 17 67856 Nose Plate Bolt Kit						
44		1	3/4-10 Flange Locknut GF Top Lock	47		1 3/4 Hardened Washer
46		1	3/4-10 x 4 Flange Cap Screw G5			
* Not used in all applications						G = Grade

A,Q&L COMPONENTS

A-Frame and Quadrant Components (Steel PRO-PLOW® Series 2 and POLY PRO-PLOW® Series 2 Blades)

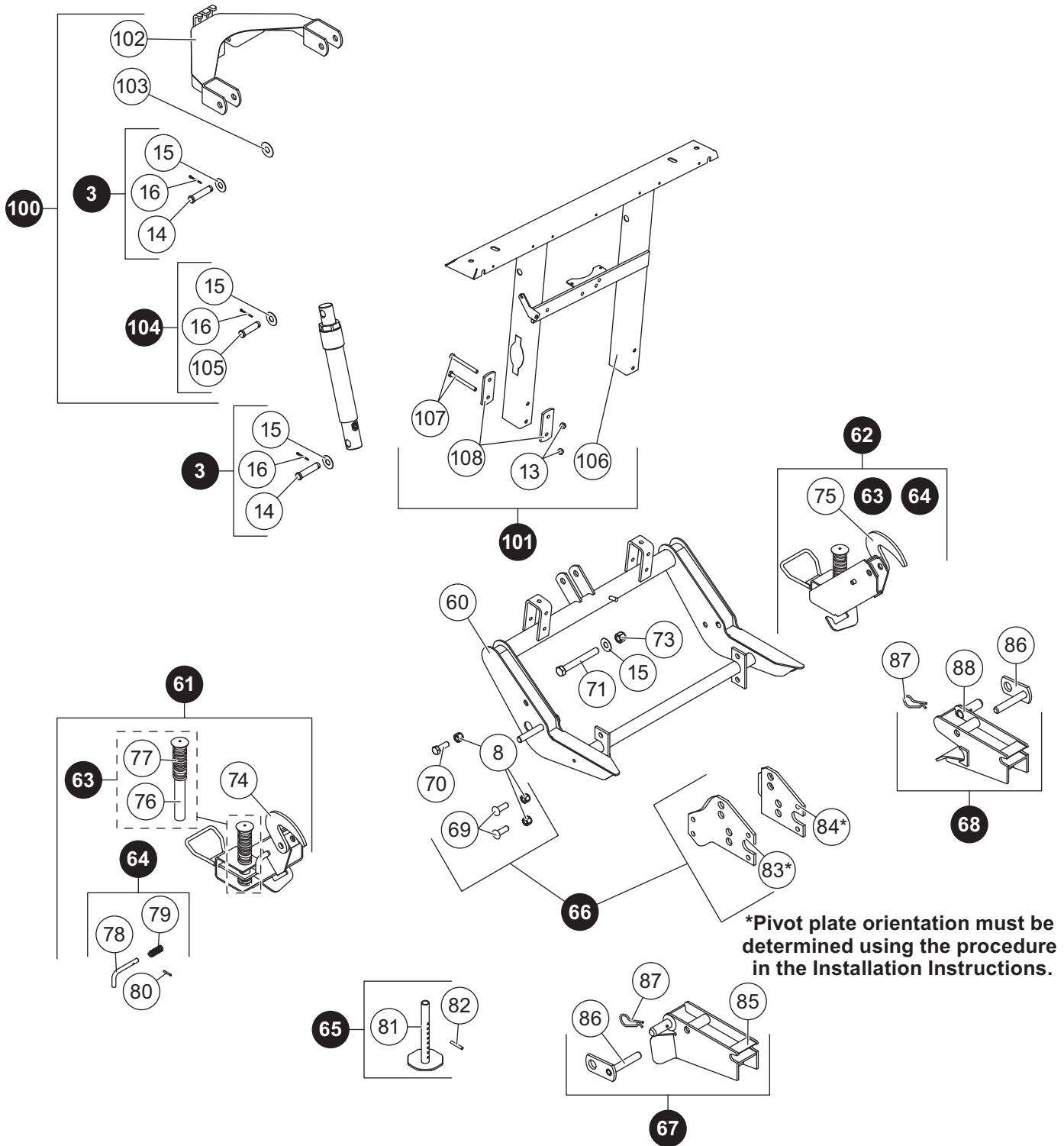


A,Q&L COMPONENTS

A-Frame and Quadrant Components							
Item	Part	Qty	Description	Item	Part	Qty	Description
1	66421	4	5/8-11 x 4 Eyebolt w/Nuts Kit	17	69494	1	Nose Plate Bolt Kit
2	68293	1	Shock Mount Kit	18	49033	2	Replacement Chain Assembly
3	93063K	2	3/4 x 3-1/4 Clevis Pin Kit	19	50676	1	Stacking Stop Kit
4	63979	1	Shock Absorber Assembly	20	68291	1	A-Frame
5	68290	1	Quadrant	21	66812	1	Pivot Pin Kit
6	23039	4	Trip Spring	22	67842	1	Pivot Bar Kit
7	90132	3	5/8-11 x 3 Hex Cap Screw G5	23	67855	1	Pivot Bolt Kit
8	91337	3	5/8-11 Hex Locknut GB	24	63973	4	1 x 3-1/4 Clevis Pin Kit
Item 1 66421 5/8-11 x 4 Eyebolt w/Nuts Kit							
9		1	5/8-11 x 4 Eyebolt	10		2	5/8-11 Hex Nut G5
Item 2 68293 Shock Mount Kit							
11		2	Shock Mount Bracket	13	91333	2	3/8-16 Hex Locknut GB
12		2	3/8-16 x 1-1/2 Hex Cap Screw G5				
Item 3 93063K 3/4 x 3-1/4 Clevis Pin Kit							
14		1	3/4 x 3-1/4 Clevis Pin	16		1	5/32 x 1-1/2 Cotter Pin
15*		1	3/4 Flat Washer Type A Narrow				
Item 17 69494 Nose Plate Bolt Kit							
25		1	1 x 9 Hex Cap Screw G5	26		1	1-8 Hex Locknut GB
Item 18 49033 Replacement Chain Assembly							
13	91333	2	3/8-16 Hex Locknut GB	28		1	Plastic Tube
27		1	Chain	29		1	3/8-16 x 1-1/2 U-Bolt
Item 19 50676 Stacking Stop Kit							
13	91333	2	3/8-16 Hex Locknut GB	31		2	3/8-16 x 1 Hex Cap Screw G5
30		1	Stacking Stop				
Item 21 66812 Pivot Pin Kit							
32	67974	1	Pivot Pin, DS	33	67977	1	Pivot Pin, PS
Item 22 67842 Pivot Bar Kit							
23	67855	1	Pivot Bolt Kit	34		1	Pivot Bar
Item 23 67855 Pivot Bolt Kit							
26		1	1-8 Hex Locknut GB	36		1	1-8 Hex Jam Nut GB
35		1	1-8 x 7 Hex Cap Screw G5				
Item 24 63973 1 x 3-1/4 Clevis Pin Kit (Ram Pin Kit)							
16		4	5/32 x 1-1/2 Cotter Pin	37		4	1 x 3-1/4 Clevis Pin
* Not used in all applications				G = Grade			

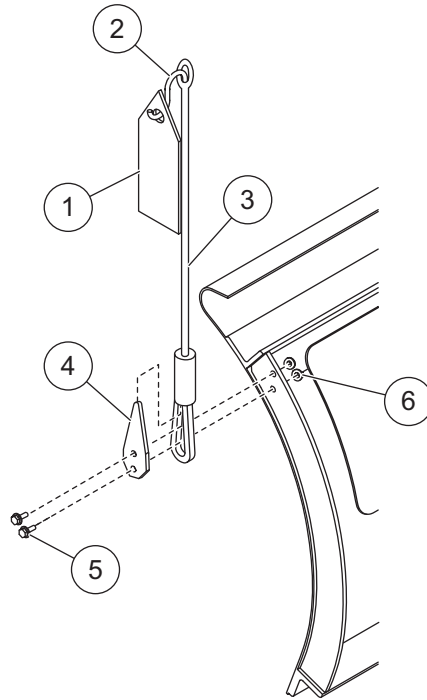
A,Q&L COMPONENTS

Lift Frame Components



BLADE GUIDE COMPONENTS

Blade Guide Components



59700 Blade Guide Kit (Pair)							
Item	Part	Qty	Description	Item	Part	Qty	Description
1	59694K	1	Blade Guide Flag	4	59946	2	Clamp
2	59696	1	S-Hook	5	68494	4	5/16-18 x 1 Hex Cap Screw G5
3	59691	1	Blade Guide Rod	6	91332	4	5/16-18 Hex Locknut GB
G = Grade							

Retail Whole Goods Part Numbers					
Part	Qty	Description	Part	Qty	Description
62400	1	7-1/2' Blade (62395 & 62396) (Poly)	68700	1	AQ&L Assy UT P/PY Series 2 Box 1/2 (A-Frame & Quadrant)
62450	1	8' Blade (62420 & 62402) (Poly)	69711	1	Parts Bag 67800
60381	1	7-1/2' Blade Assembly (Steel)	67951-2	1	AQ&L UT P/PY/PP/MVP® Box 2/2 (Lift Frame & Stands Assembly)
60390	1	8' Blade Assembly (Steel)	67953-1	1	Parts Bag 67951-2
60308	1	8-1/2' Blade Assembly (Steel)			
-	1	9' Blade Assembly (Steel) (Non-Current)			
64620	1	FloStat® Hydraulic System 10" Ram			
UT = UltraMount®		P = PRO-PLOW®		PY = POLY PRO-PLOW®	
				PP = PRO PLUS®	

69711 Parts Bag 67800					
Item	Qty	Description	Item	Qty	Description
7	3	5/8-11 x 3 Hex Cap Screw G5	16	6	5/32 x 1-1/2 Cotter Pin
8	9	5/8-11 Hex Locknut GB	25	1	1-8 x 9 Hex Cap Screw G5
9	4	5/8-11 x 4 Eyebolt	26	2	1-8 Hex Locknut GB
10	8	5/8-11 Hex Nut G5	31	2	3/8-16 x 1 Hex Cap Screw G5
11	2	Shock Mount Bracket	36	1	1-8 Hex Jam Nut G5
12	2	3/8-16 x 1-1/2 Hex Cap Screw G5	37	4	1 x 3-1/4 Clevis Pin G5
13	4	3/8-16 Hex Locknut GB	69	4	5/8-11 x 2 Carriage Bolt G5
14	2	3/4 x 3-1/4 Clevis Pin	70	2	5/8-11 x 1-1/2 Hex Cap Screw G5
67953-2 Parts Bag 67951-2					
13	4	3/8-16 Hex Locknut GB	82	2	1/4 x 2 Roll Pin
14	3	3/4 x 3-1/4 Clevis Pin	87	2	5/32 Hairpin Cotter
15	6	3/4 Flat Washer Type A Narrow	103	2	Washer, Special (Black Plastic)
16	4	5/32 x 1-1/2 Cotter Pin	105	1	3/4 x 3 Clevis Pin HT
71	2	3/4-10 x 6 Hex Cap Screw G5	107	4	3/8-16 x 4 Hex Cap Screw G8
73	2	3/4-10 Hex Locknut GB	108	4	Plate – Upper Lift Frame
HT = Heat Treated			G = Grade		

Item numbers in above table reference parts on pages 6–9 only.



Western Products
PO Box 245038
Milwaukee, WI 53224-9538
www.westernplows.com

 A DIVISION OF DOUGLAS DYNAMICS, L.L.C.

Copyright © 2010 Douglas Dynamics, L.L.C. All rights reserved. This material may not be reproduced or copied, in whole or in part, in any printed, mechanical, electronic, film or other distribution and storage media, without the written consent of Western Products. Authorization to photocopy items for internal or personal use by Western Products outlets or snowplow owner is granted.

Western Products reserves the right under its product improvement policy to change construction or design details and furnish equipment when so altered without reference to illustrations or specifications used. Western Products or the vehicle manufacturer may require or recommend optional equipment for snow removal. Do not exceed vehicle ratings with a snowplow. Western Products offers a limited warranty for all snowplows and accessories. See separately printed page for this important information. The following are registered (®) or unregistered (™) trademarks of Douglas Dynamics, L.L.C.: FloStat®, MVP®, POLY PRO-PLOW®, POLY PRO-PLOW® Series 2, PRO-PLOW®, PRO-PLOW® Series 2, PRO PLUS®, ULTRAFINISH™, UltraMount®, WESTERN®.

Printed in U.S.A.