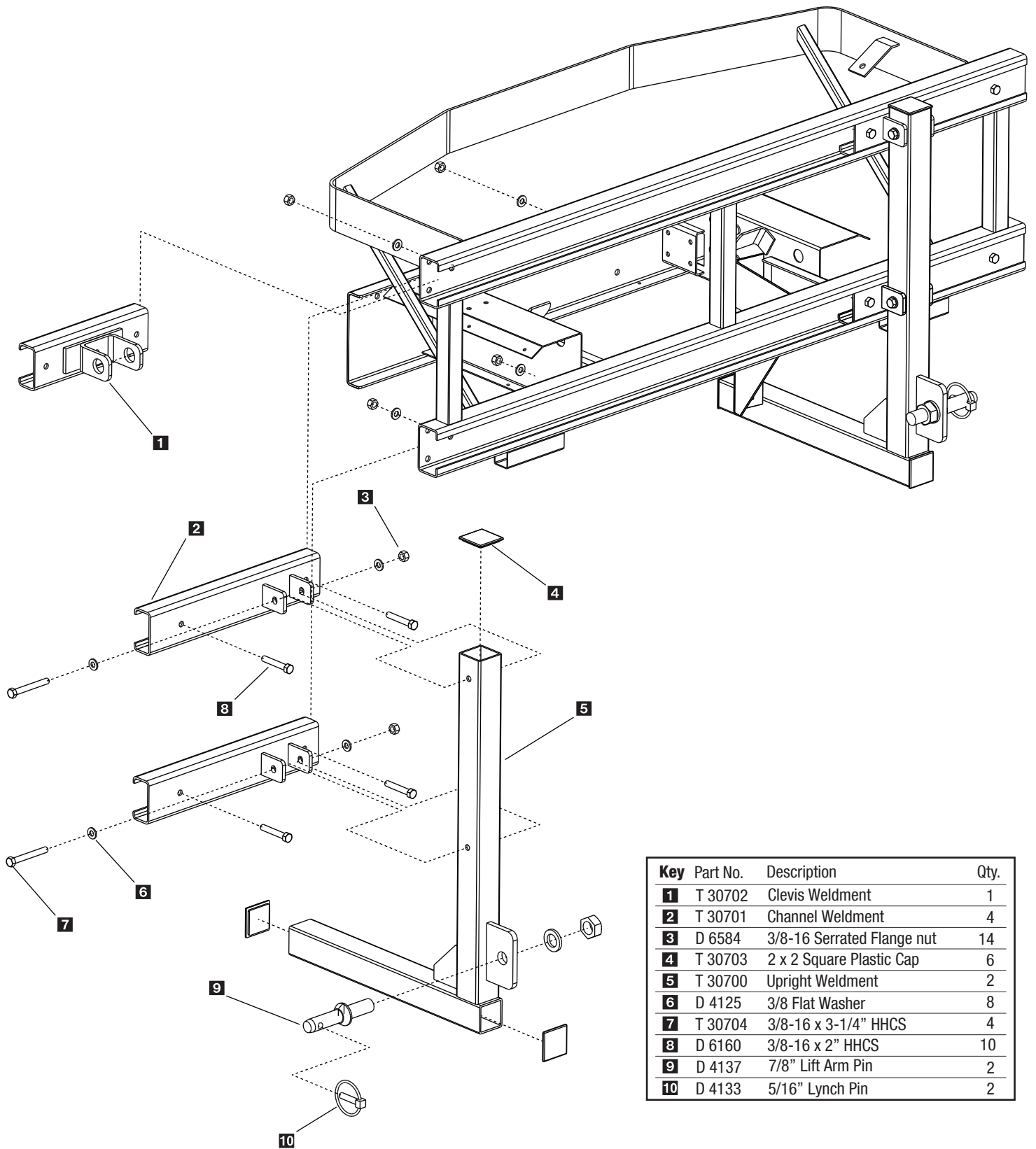


TPM-275 Three Point Mount

Parts Breakdown



Key	Part No.	Description	Qty.
1	T 30702	Clevis Weldment	1
2	T 30701	Channel Weldment	4
3	D 6584	3/8-16 Serrated Flange nut	14
4	T 30703	2 x 2 Square Plastic Cap	6
5	T 30700	Upright Weldment	2
6	D 4125	3/8 Flat Washer	8
7	T 30704	3/8-16 x 3-1/4" HHCS	4
8	D 6160	3/8-16 x 2" HHCS	10
9	D 4137	7/8" Lift Arm Pin	2
10	D 4133	5/16" Lynch Pin	2