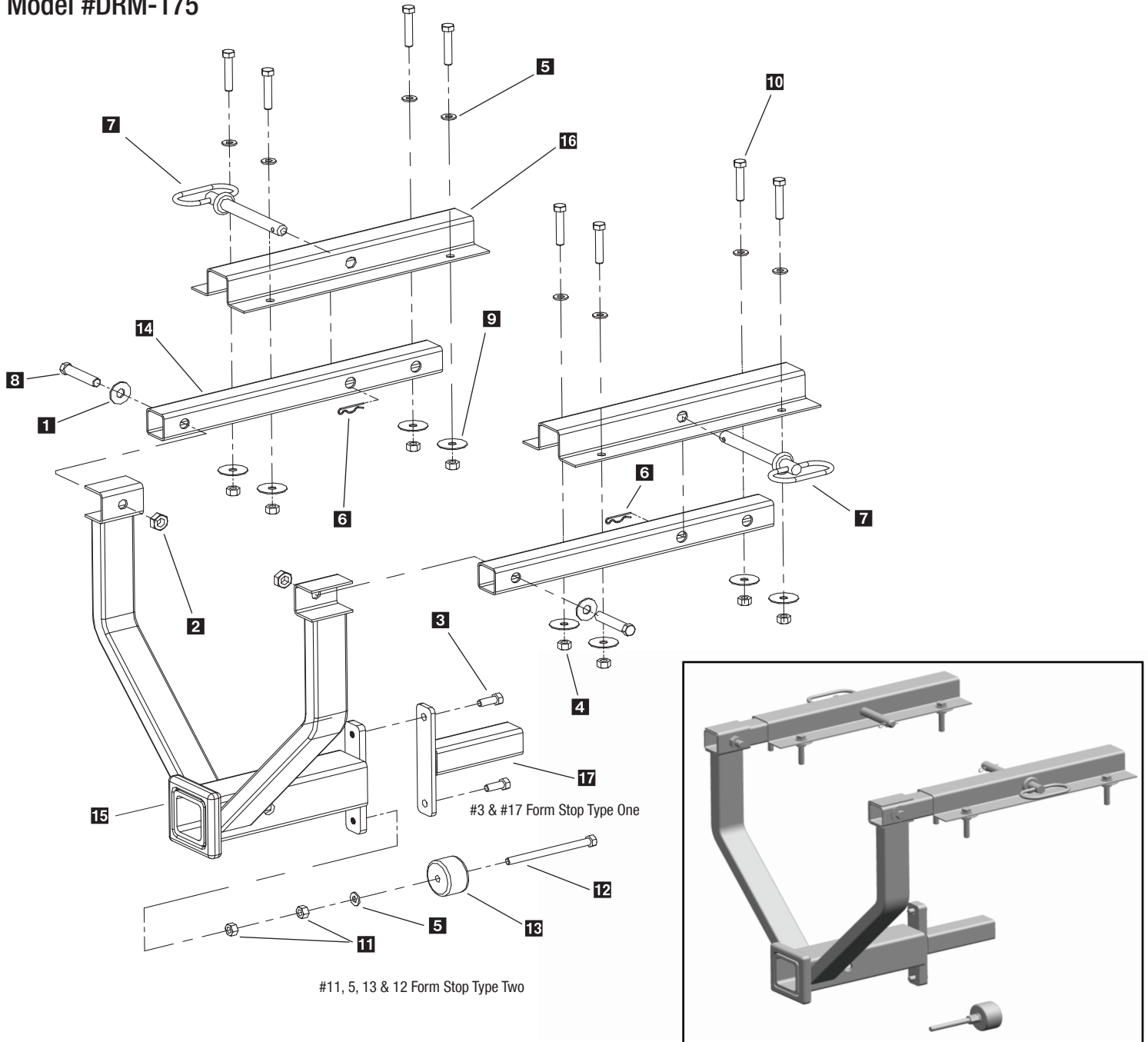


Drop Utility Mount Parts Breakdown

Model #DRM-175



Maximum Load Weight Not To Exceed 240 lbs. Gross

| Key | Part No. | Description | Qty. | Key | Part No. | Description | Qty. |
|-----|----------|-----------------------------|------|-----|----------|--------------------------------------|------|
| 1 | D 4119 | 1/2" Flat Washer | 2 | 10 | D 6420 | 3/8" - 16 x 2 Truss Bolt Full Thread | 8 |
| 2 | D 4120 | 1/2"-Lock Nut | 2 | 11 | D 6421 | 3/8" - 16 Hex Nut | 2 |
| 3 | D 4121 | 3/8"-16x1 Hex Bolt | 2 | 12 | D 6422 | 3/8" - 16 x 5" Hex Bolt | 1 |
| 4 | D 4124 | 3/8"-Lock Nut | 8 | 13 | D 6423 | 2" Rubber Stopper | 1 |
| 5 | D 4125 | 3/8" Flat Washer | 9 | 14 | D 6432 | Mounting Rail | 2 |
| 6 | D 4135 | 2 - 5/16" Hair Pin Clip | 2 | 15 | D 6434 | Drop Mount Weldment | 1 |
| 7 | D 4136 | 5/8" x 5-1/2" Hitch Pin | 2 | 16 | D 6435 | Mounting Rail Hat Section | 2 |
| 8 | D 6246 | 1/2" - 13 x 2-1/2" Hex Bolt | 2 | 17 | D 6436 | Mule Adapter | 1 |
| 9 | D 4318 | 3/8" Fender Washer | 8 | | | | |

Drop Utility Mount Installation Instructions



Model # DRM-175

MULE 550

Step 1: Temporarily remove the tailgate. Remove the bed liner if equipped.

Step 2: Bolt support rails to spreader mount with 1/2" bolts. Install 1/2" hex bolt with washer through rail first then spreader mount. Install 1/2" locknut and tighten. Avoid over tightening to avoid potentially crushing tube.

Step 3: Place spreader mounting rails over spreader mount support rails and install pins. Locate the spreader bracket mounting rails on top of the bed by centering left to right and positioning the rear edge of the rails 5/8" beyond the rear of the bed. Transfer mounting holes to bed and drill 7/16" holes.

Important: Check for proper clearance underneath bed before drilling holes.

Step 4: Bolt rails under belt with truss head bolts, fender washers, SAE washers and nylock nuts. Install the spreader bracket before tightening hardware. The tailgate and bed liner may be reinstalled now.

Step 5: Install 550 anti dump bracket with (2) 3/8" bolts provided.

Step 6: Install gate control cable per attached instructions.

Step 7: Route Cables at your discretion and install switch.

MULE 2500

The installation of the spreader on the 2500 is the same as the 550 with the following exceptions.

Step 1: When positioning the mounting rails, the end of the rail should be 1/2" forward of the rear edge of the bed.

Step 2: The universal anti dump threads into the lower weld nut on the spreader bracket assembly. Adjust rubber bumper to be 1/2" to 3/4" behind the rear axle-receiver hitch assembly.

CLUB CAR CARRYALL

Step 1: Remove the bed tailgate and bottom angle trim. Also remove the two rear carriage bolts from the floor of the bed. Locate the two front outside mounting rails over the holes from the carriage bolts and remove.

Step 2: Place spreader mounting rails over spreader mount and install pins.

Step 3: Install truss head bolts, fender washers, SAE washers and nylock nuts in the carriage bolt holes. Transfer the remaining mounting rail holes and bolt rails into bed.

JOHN DEERE GATOR

Step 1: Remove the bed tailgate.

Step 2: Place spreader mounting rails over spreader mount and install pins.

Step 3: Locate the spreader bracket mounting rails on top of the bed by centering left to right, push main mount flush up against rear of bed to locate mounting rails. Transfer mounting holes to bed.

Step 4: Install truss head bolts, fender washers, SAE washers and nylock nuts in the 1/2" mounting holes.

Step 5: The universal anti dump threads into the lower weld nut on the spreader bracket assembly. The rubber bumper should be adjusted to rest against the frame of the vehicle. The trailer hitch bracket may need to be relocated depending on the configuration.

CAUTION: MAXIMUM WEIGHT NOT TO EXCEED 240 LBS.