



Fisher Engineering

83170, 83175

50 Gordon Drive, Rockland, Maine 04841-2139 • www.fisherplows.com

May 15, 2013

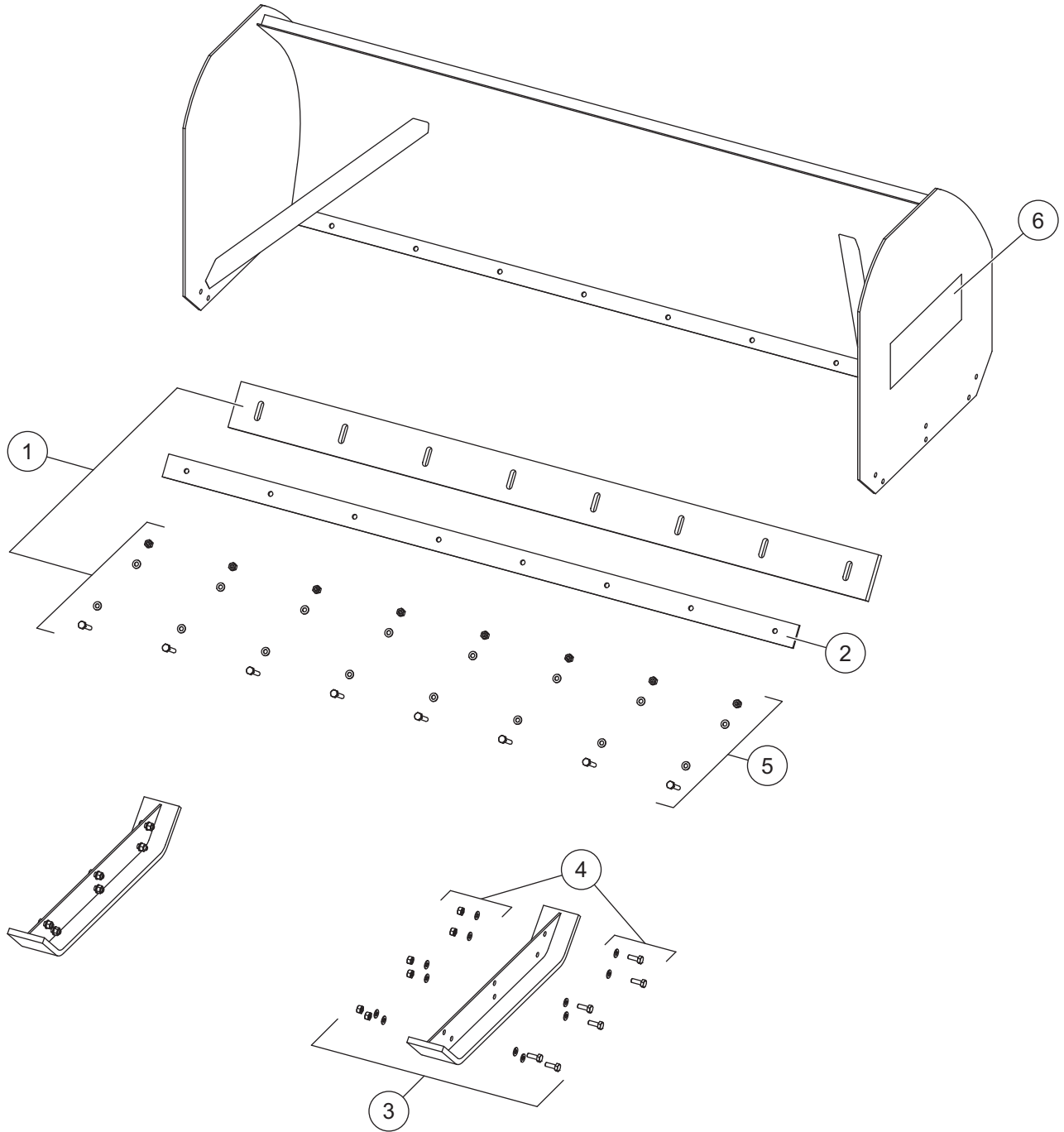
Lit. No. 43684, Rev. 00

**STORM
BOXX™**



STORM BOXX™ Snowplow
Box Plow for Skid-Steer Loaders
Parts List

Blade Components



83170/83175 Blade Components							
Item	Part	Qty	Description	Item	Part	Qty	Description
1	72061	1	8' Rubber Cutting Edge Kit (incl. item 5)	ns*	83172	1	Label, STORM BOXX – 8' Blade Front
	72062	1	10' Rubber Cutting Edge Kit (incl. item 5)	ns*	83176	1	Label, STORM BOXX – 10' Blade Front
2	72072	1	8' Bolting Bar	ns*	72049	2	Wear Shoe Kit – Super Duty (incl. item 4)
	72073	1	10' Bolting Bar	ns*	72052	2	Wear Shoe Kit – Self Leveling, Standard (incl. item 4)
3	72047	2	Wear Shoe Kit – Standard (incl. item 4)	ns*	72054	2	Wear Shoe Kit – Self Leveling, Super Duty (incl. item 4)
4	72063	2	Wear Shoe Hardware Kit	ns*	72069	1	Level Gauge
5	72074	1	Cutting Edge Hardware Kit				
6	83171	2	Label, STORM BOXX™				
Item 4				72063 Wear Shoe Hardware Kit			
		6	5/8-11 x 2 Hex Cap Screw G5			12	5/8 Flat Washer
		6	5/8-11 Hex Locknut GB				
Item 5				72074 Cutting Edge Hardware Kit			
		10†	1/2-13 x 2-1/2 Hex Cap Screw G5			20†	1/2 Flat Washer
		10†	1/2-13 Hex Locknut GB				
		ns = not shown				* = Accessory Only	
						G = Grade	

† Not all fasteners used for all blade sizes.

Copyright © 2013 Douglas Dynamics, LLC. All rights reserved. This material may not be reproduced or copied, in whole or in part, in any printed, mechanical, electronic, film or other distribution and storage media, without the written consent of Fisher Engineering. Authorization to photocopy items for internal or personal use by Fisher Engineering outlets or snowplow owner is granted.

Fisher Engineering reserves the right under its product improvement policy to change construction or design details and furnish equipment when so altered without reference to illustrations or specifications used. Fisher Engineering or the vehicle manufacturer may require or recommend optional equipment for snow removal. Do not exceed vehicle ratings with a snowplow. Fisher Engineering offers a limited warranty for all snowplows and accessories. See separately printed page for this important information. The following are registered (®) or unregistered (™) trademarks of Douglas Dynamics, LLC: FISHER®, STORM BOXX™.

Printed in U.S.A.
