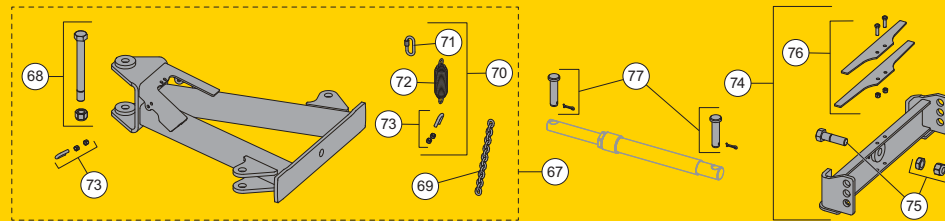


BLADE ASSEMBLY & QUADRANT

Item	Description	Part		Item	Description	Part	
		8' Blade	9' Blade			8' Blade	9' Blade
51	Moldboard Kit SS	52164	52163	53	Base Angle	52167	52182
52	Blade Frame (w/o Base Angle)	52165	52166	54	1/2" Steel Cutting Edge	5533	5534
55	84844 3/4 x 2-3/16 Machine Pin w/Cotter			62	7906K Blade Guide (set of 2)		
56	26464 Removable Spring Assembly			63	59900 Label - Warning/Caution, Snowplows		
57	20757 Removable Spring Bar			64	52588 Articulating Quadrant w/Fasteners		
58	27406 Trip Spring			65	52638 3/4-10 x 2-3/4 G5 Fastener Kit		
59	40905 Shoulder Bolt w/Locknut			66	52595 1-14 x 2-3/4 G8 Square Bolt Kit		
60	20191 Removable Spring Disc			ns	20238 Label - FISHER® Logo		
61	20181 1/4 x 1-1/4 Pin			ns	43672 Label - Identity, HDX		

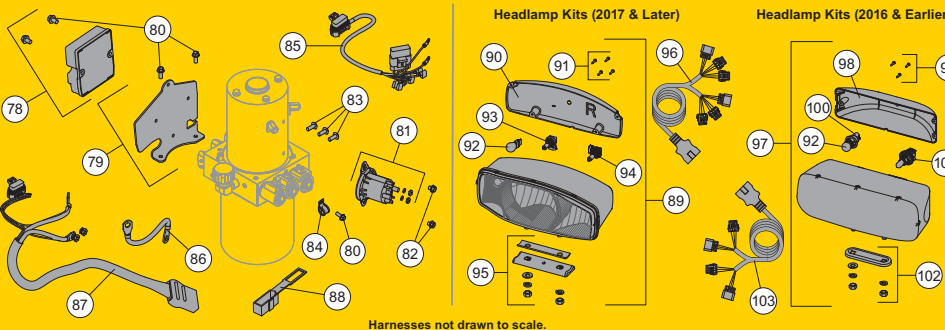
G = Grade SS = Stainless Steel ns = not shown



A-FRAME & PIVOT BEAM

Item	Part	Description	Item	Part	Description
67	52185	Articulating A-Frame Kit - HDX (includes Item 74)	72	27074	Extension Spring
68	50668	1 x 9-1/2 Pivot Bolt Kit	73	A6148K	U-Bolt Assembly Packet
69	26999-1	5/16 G43 Lift Chain Bag	74	52184	Pivot Beam Kit - HDX
70	49521	Plug/U-Bolt/Link Kit	75	52621	1-8 x 3-1/2 G5 Bolt w/Jam Nut and Locknut - HDX
71	68340	Quick Link	76	51130	Leaf Spring Kit - HDX
			77	43603	1 x 3-3/4 Clevis Pin w/Cotter

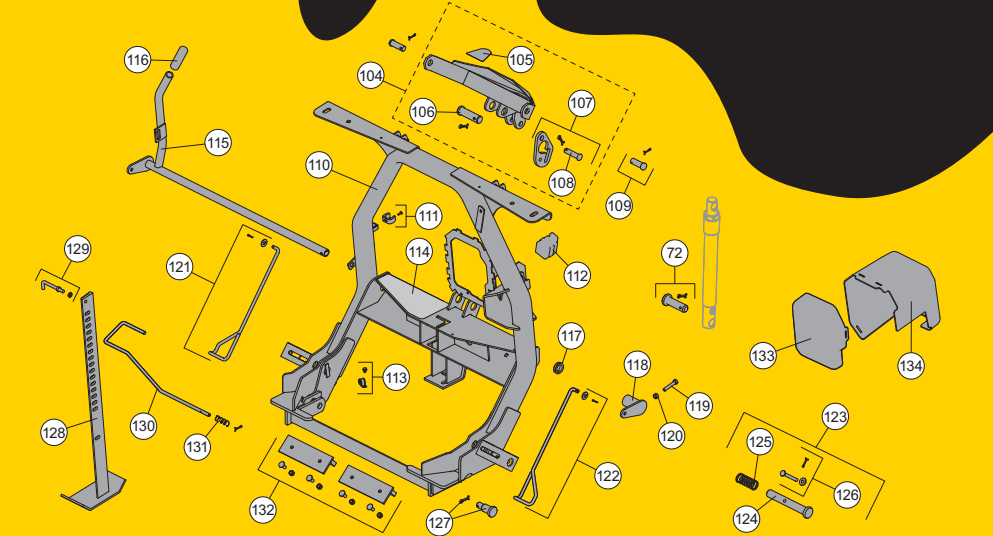
G = Grade



ELECTRICAL COMPONENTS & HEADLAMPS

Item	Part	Description	Item	Part	Description
78	49567	Plow Module, 2-Port	90	38803	Rear Cover Kit H9/H11 - PS
79	42287	Bracket - Plow Module	ns	38812	Rear Cover Kit H9/H11 - DS
80	44355	1/4-20 x 5/8 Hex Washer-Head Thread-Rolling Screw	91	38808	Cover Screws Service Kit H9/H11 (pkg of 4)
81	42901	Motor Relay Kit FLEET FLEX	92	-	Park/Turn Bulb (Trade No. 4157NAK)
82	29099	1/4-20 x 1/4 Hex Washer-Head Thread-Rolling Screw	93	38811	H11 Headlamp Bulb Service Kit
83	98043	3/8-16 x 1 Button Cap Screw	94	38809	H9 Headlamp Bulb Service Kit
84	49522	Clamp Loop Kit	95	38804	Mounting Hardware Kit H9/H11
85	28581-1	Harness Plow Control, 3-Solenoid	96	38807	Harness Service Kit H9/H11
86	29071	Cable Assembly 8"	97	28802-1	Headlamp Service Kit H13 - PS
87	42015	Snowplow Battery Cable	ns	28801-1	Headlamp Service Kit H13 - DS
88	8291K	Plug Cover	ns	28800-1	Headlamp Kit (pair) H13
ns	28587*	Vehicle Control Harness	98	28803-1	Rear Cover Kit H13 (fits 2- or 3-screw)
ns	26498	Vehicle Control Harness - Central Hydraulics	99	28808-1	Cover Screws Service Kit H13 (pkg of 3)
ns	42014*	Vehicle Battery Cable	100	28805	Park/Turn Socket Service Kit
89	38802	Headlamp Service Kit H9/H11 - PS	101	28806	H13 Headlamp Bulb Service Kit
ns	38801	Headlamp Service Kit H9/H11 - DS	102	28804	Mounting Hardware Kit H13
ns	38800	Headlamp Kit (pair) H9/H11	103	28213K	Harness Service Kit H13

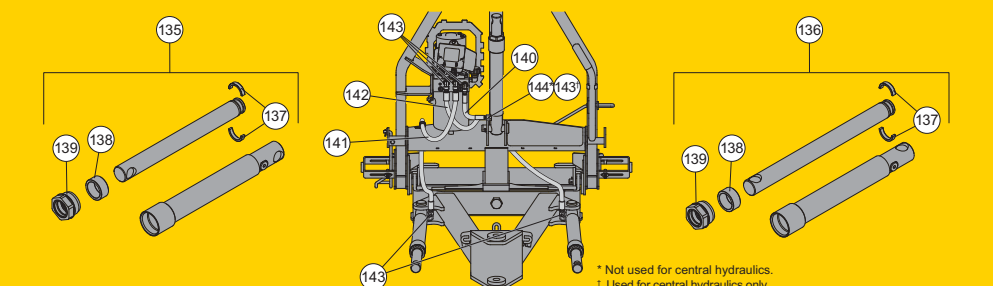
ns = not shown



HEADGEAR

Item	Part	Description	Item	Part	Description
104	27560-2	Lift Arm Service Kit - Silver	119	90043	3/8-16 x 2 Hex Cap Screw G5
105	26777	Nameplate - Minute Mount® 2	120	91333	3/8 x 16 Hex Locknut GB
106	95720	1 x 3.313 Clevis Pin HT	121	27166K	Wire Cam Kit - DS
107	28991	Stop Link Kit	122	27167K	Wire Cam Kit - PS
108	29037	5/8 x 2-5/8 Clevis Pin w/Cotter	123	27168K	Connecting Pin Kit
109	4289K	3/4 x 1-7/8 Machine Pin Packet	124	26833	1 x 6-15/16 Clevis Pin
110	49652	Headgear	125	821	1 x 3-1/2 Compression Spring
ns	42283	Headgear Service Kit (includes jack, link arm, connecting pin assemblies)	126	26219	3/8 x 3-1/4 Clevis Pin Kit
111	27162K-1	Stop Clip Kit	127	27177K	Step Pin Kit
112	8284K	Cable Boot	128	27462	Jack
113	49522*	Clamp Loop Kit	129	27164K	Handle Kit
114	27451	Label - Attach/Detach, Minute Mount 2	130	27478	Jack Lock
115	27468	Handle, Link Arm Assembly	131	27461	3/4 x 3-1/2 Compression Spring
116	27535	Handle Cover Kit	132	52194	Stacking Stop Kit - HDX
117	27163K	Snap-In Bushing Kit (set of 2)	133	68312-1*	Hydraulic Cover, Front
118	27465	Link Arm	134	68313-1*	Hydraulic Cover, Rear
			ns	69689*	Label - SECURITY GUARD™

* Used for central hydraulics only. * Not used for central hydraulics.
ns = not shown G = Grade HT = Heat Treated

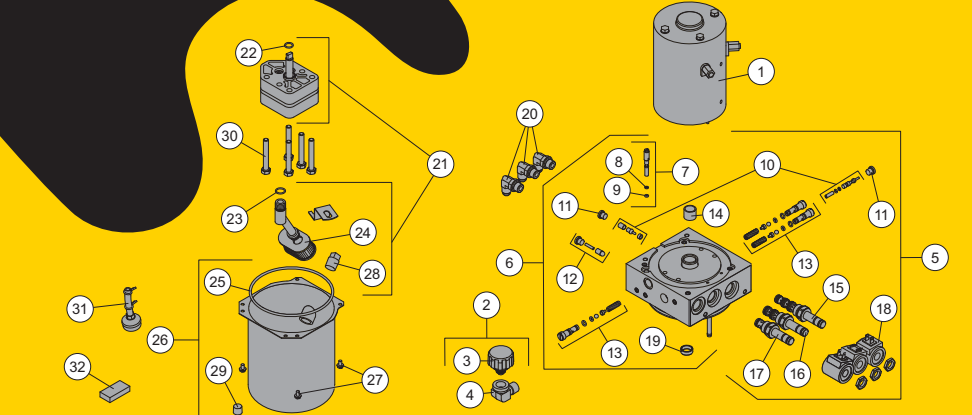


RAMS, HOSES & FITTINGS

Item	Part	Description	Item	Part	Description
135	56600K	Lift Ram Assembly 1-1/2 x 10	140	56832	Hose, 1/4 x 8 w/F JIC Ends
136	56603K	Angle Ram Assembly 1-1/2 x 12	141	49501	Hose, 3/8 x 36 w/F JIC Ends
137	20118K	Split Bearing Kit 1-1/2"	142	44348	Hose, 3/8 x 42 w/F JIC Ends
138	56537	Spacer	143	56725	Elbow, 90° -6 M JIC/-6 M ORB
139	48985	Gland Nut Assembly	144	49526	Connector, Short -6 M JIC/-6 M ORB

F = Female M = Male

Full parts list available at www.fisherplows.com (Lit. Nos. 41776 and 85302).

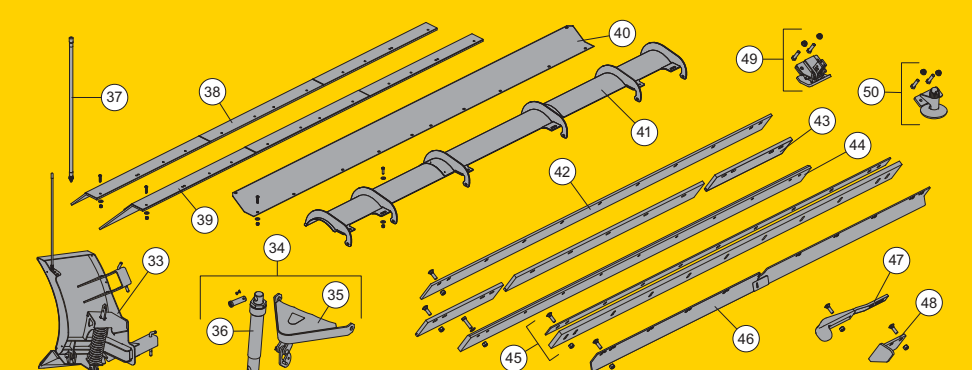


HYDRAULIC UNIT

Item	Part	Description	Item	Part	Description
-	42291-1*	Hydraulic Unit Service Kit	18	7639K-2	Coil w/Spades
-	42293-1	Hydraulic Unit 2500 psi	19	66515*	Pump Shaft Seal
1	21500K-1	Motor, 4-1/2"	20	56725	Elbow, 90° -6 M JIC/-6 M ORB
2	22344K	Elbow, Street 90° w/Breather	21	21501K-1	Hydraulic Pump Kit
3	21727-2	Breather Pressure Control	22	56274	O-Ring -013
4	21726	Elbow, Street 90° 3/8 M NPTF/3/8 F NPTF	23	56416	O-Ring -014
5	42294-1	Valve Manifold Assembly	24	26781-3	Suction Filter
6	42292-1	Manifold Assembly	25	66519	O-Ring -2-250
7	56662	Quill Assembly	26	21830	Reservoir Kit
8	56315	Back-Up Ring -006	27	66607	10-24 x 5/16 Machine Screw Slotted Washer Head
9	25622	O-Ring -006	28	92079	Plug, Square 3/8 NPTF
10	7630K	Poppet Check Valve Kit	29	92095	Plug, Hex Socket 1/4 NPTF w/Thread Sealant
11	92960	Plug, Hex Socket -3 M ORB	30	90073	5/16-18 x 2-1/4 Hex Cap Screw
12	56507	Bypass Check Valve Kit	31	66405	Return Screen Assembly
13	7629K-3	Relief Valve Kit (set of 2)	32	73897	Magnet
14	64596-1*	Sleeve Bearing and Shaft Seal Kit			O-Ring Service Kits
15	7637K-1	Cartridge Valve, 4-Way w/Nut	ns	7632K-4	O-Ring & Back-Up Ring Kit
16	66608K-1	Cartridge Valve, 3-Way w/Nut	ns	49258-2	Seal Kit, 2-Way Valve
17	7634K-2	Valve, 2-Way w/Nut	ns	49259-2	Seal Kit, 3-Way & 4-Way Valve

* Includes 42293-1 hydraulic unit and plow-side electrical components (shown separately). Not used for central hydraulics.
† Use 64589 tool for bearing sleeve replacement (includes 1 bearing). ‡ Use 28856 tool for pump shaft seal replacement (includes 1 seal).

ns = not shown F = Female M = Male



ACCESSORIES

Item	Description	Part		Item	Description	Part	
		8' Blade	9' Blade			8' Blade	9' Blade
33*	Accessory Wings (DS & PS)	41790		42	5/8 Steel Cutting Edge Kit	52680	52690
34	HD Lift Arm & Ram Kit - Silver	41859		43	Carbide Insert Cutting Edge Kit	52148	52150
35	HD Lift Arm - Silver	27560-2		44*	Poly Cutting Edge Kit	52168	52170
36	1-3/4 x 10 Lift Ram	43132		45*	Rubber Cutting Edge Kit	52118	52120
37	36" Blade Guide Kit (qty 2)	51975		46	Back Drag Edge Kit	51997	51999
38	10" Rubber Deflector Kit	52098	52099	47*	Curb Guard Kit (qty 2)	44405	44406
39	18" Rubber Deflector Kit	52095	52096	48*	Wear/Curb Guard Kit (DS & PS)	51879	51880
40	Steel Deflector	41845	41847	49	Adjustable Shoe Kit (qty 2)		41785
41	SnoFoil® Assembly	52680	52690	50	Cast Shoe Kit (qty 2)		52506

* Items 47 & 48 Curb Guards not compatible with Accessory Wings. † Items 44 and 45 Cutting Edges not compatible with Accessory Wings or Curb Guards.

Copyright © 2017 Douglas Dynamics, LLC. All rights reserved. This material may not be reproduced or copied, in whole or in part, in any printed, mechanical, electronic, film, or other distribution and storage media, without the written consent of Fisher Engineering. Authorization to photocopy items for internal or personal use by Fisher Engineering outlets or spreader owner is granted.

Fisher Engineering reserves the right under its product improvement policy to change construction or design details and furnish equipment when so altered without reference to illustrations or specifications used. Fisher Engineering or the vehicle manufacturer may require or recommend optional equipment for snow removal. Do not exceed vehicle ratings with a spreader. Fisher Engineering offers a limited warranty for all spreaders and accessories. See separately printed page for this important information. The following are registered (®) or unregistered (™) trademarks of Douglas Dynamics, LLC: FISHER®, HDX™, Minute Mount® 2, SECURITY GUARD™, SnoFoil®.