



**Fisher Engineering**

50 Gordon Drive, Rockland, Maine 04841-2139 • www.fisherplows.com

44600-1, 44650-1

44675-1, 44685-1, 44695-1

44775-1, 44785-1, 44795-1

February 1, 2013

Lit. No. 44226, Rev. 19

**XTREMEV™**

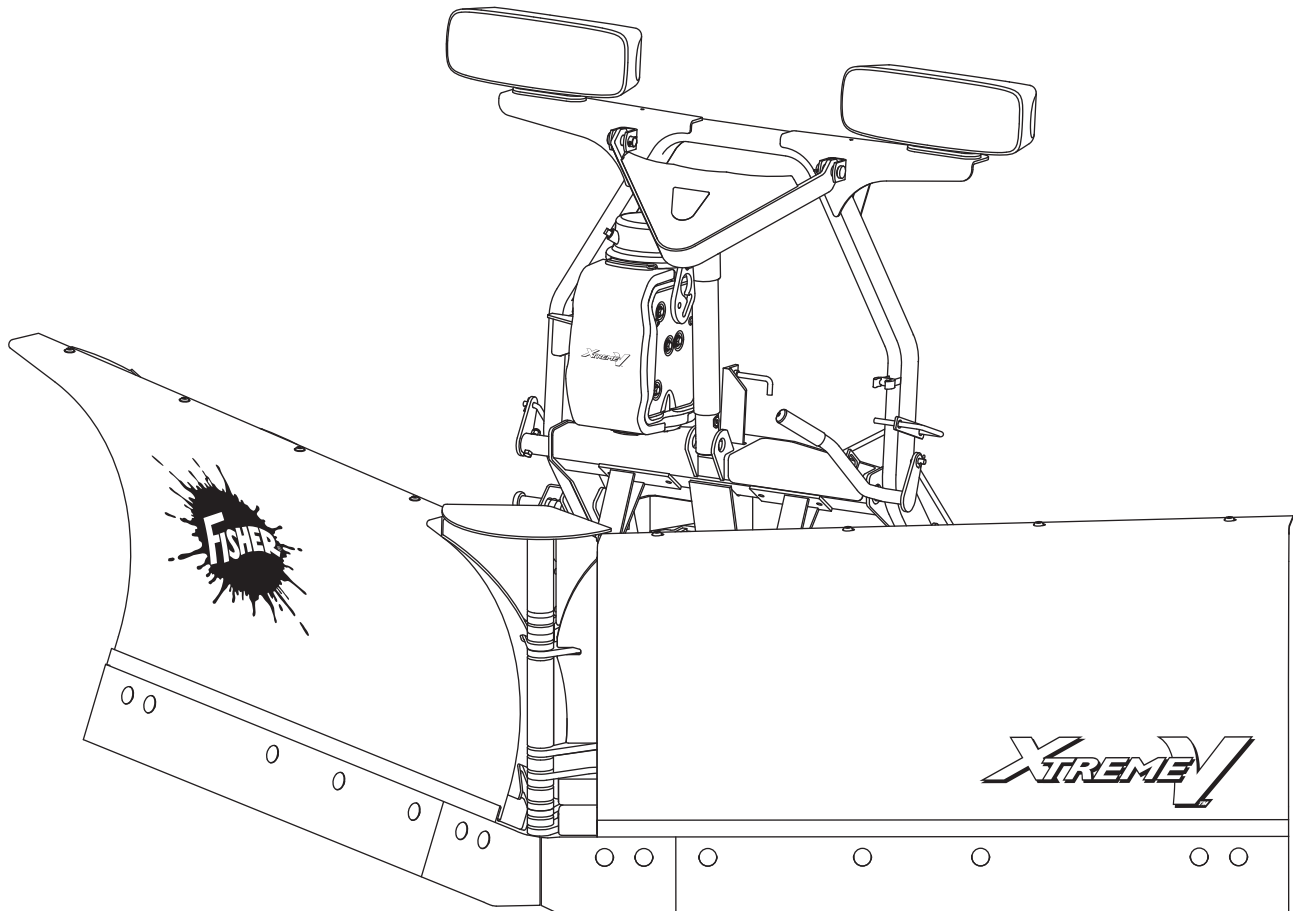


**Minute<sup>2</sup>**  
SYSTEM

## Blade and Off-Truck Kit

### XtremeV™ Snowplow

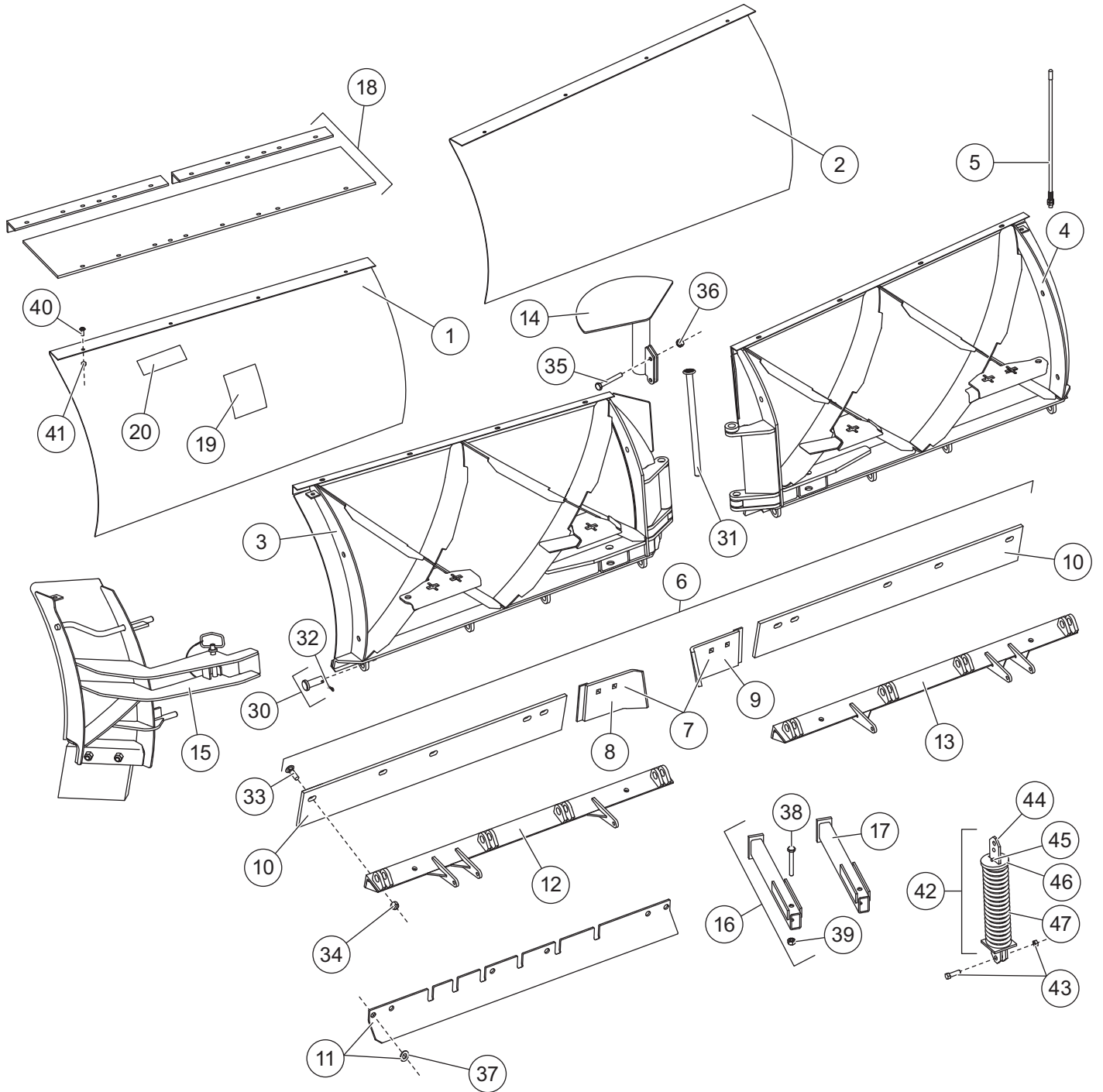
#### Parts List





<b>XtremeV™ BLADES</b> .....	4
<b>XtremeV OFF-TRUCK KITS</b> .....	6
Headgear and T-Frame .....	6
Hydraulic Unit.....	8
Cover Assembly.....	10
Lift and Angle Rams .....	11
Hoses and Fittings.....	11
Electrical Components.....	12
Vehicle-Side Wiring Diagram.....	13
Headlamp Kit .....	14

Blade Components – 9-1/2' Shown



**44600-1, 44650-1, 44675-1, 44685-1, 44695-1, 44775-1, 44785-1, 44795-1**

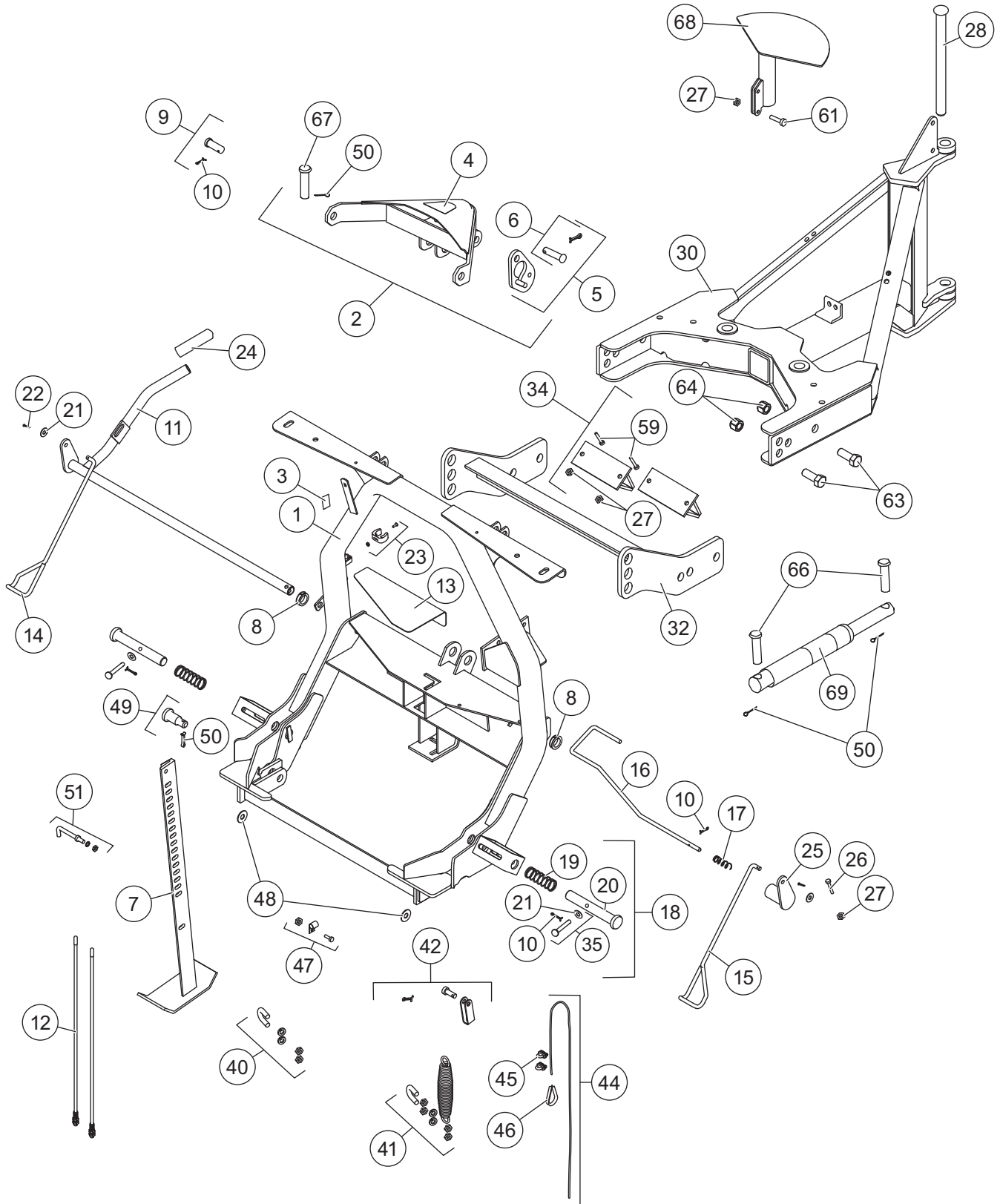
44675-1/44685-1/44695-1/44775-1/44785-1/44795-1 XtremeV™ Blade Components							
Item Description		Part Number					
		7-1/2'		8-1/2'		9-1/2'	
		MS	SS	MS	SS	MS	SS
1	Moldboard Kit – DS	44820	44822	44824	44826	44828	44830
2	Moldboard Kit – PS	44821	44823	44825	44827	44829	44831
3	Frame, Base Angle & Springs – DS	44745		44746		44747	
4	Frame, Base Angle & Springs – PS	44748		44749		44750	
5	Flexible Blade Guide Set – 26"	27195					
6	3/8" Cutting Edge Kit w/Fasteners	44740-1		44741-1		n/a	
	1/2" Cutting Edge Kit w/Fasteners	44742-1†		44743-1†		44744-1	
7	Center Cutting Edge Kit w/Fasteners	44894					
8	Center Cutting Edge – DS	44891					
9	Center Cutting Edge – PS	44890					
10	3/8" Cutting Edge	44896		44897		n/a	
	1/2" Cutting Edge	44996†		44997†		44898	
11	Back Drag Edge Kit	44281-2†		44282-2†		44283-2†	
12	Base Angle – DS	40340		40342		44110-1	
13	Base Angle – PS	40341		40343		44111-1	
14	Snow Control	44570				44571	
15	Blade Wing Extension Kit	n/a		44610-1†			
16	Blade Stop Kit	44473†					
17	Outrigger	44036†					
18	Rubber Deflector Kit	44710†					
19	Label – Warning/Caution, Snowplows	59900					
20	Label – Identity, STORM GUARD™ (MS Moldboards Only)	26211					
ns	Label – Splatter 13-1/4 x 14-1/2	20238					
ns	Label – Identity, XtremeV	44464					
ns	Universal Label Replacement Kit	28549†					

MS = Mild Steel SS = Stainless Steel ns = not shown † = Accessory Only

Springs and Fasteners											
Item	Part	Description	Qty			Item	Part	Description	Qty		
			7-1/2'	8-1/2'	9-1/2'				7-1/2'	8-1/2'	9-1/2'
30	27241	1 x 2-3/4 Clevis Pin w/Cotter	6	8	8	41	3/8-16 x 1 Hex Locknut				
31	44028	V-Plow Pivot Pin	1	1	1	91333	For Mild Steel Moldboards	8	8	8	
32	90607	1/4 x 1-3/4 Cotter Pin	8	8	8	95410	For Stainless Steel Moldboards	8	8	8	
33	5572	5/8-11 x 2 Carriage Bolt G5	14	14	14	42	21452 Removable Spring Assembly	4	4	6	
34	91337	5/8-11 Hex Locknut GB	14	14	14	43	40905 Shoulder Bolt w/Locknut	4	4	6	
35	66456*	3/8-16 x 1-1/4 Hex Cap Screw G5	2	2	2	44	21450 Removable Spring Bar	4	4	6	
36	91333*	3/8-16 Hex Locknut GB	2	2	2	45	20181 1/4 x 1-1/4 Pin	4	4	6	
37	63927†	5/8 Flat Washer Type A Narrow	14	14	14	46	20191 Removable Spring Disc	4	4	6	
38	90109†	1/2-13 x 4-1/2 Hex Cap Screw G5	2	2	2	47	5323 Trip Spring	4	4	6	
39	91335†	1/2-13 Hex Locknut GB	2	2	2	ns	44763 Bolt Bag – Cutting Edge Kits (one side – 5 sets of fasteners)	2	2	2	
40		3/8-16 x 1 Button Cap Screw				ns	44790† Bolt Bag – Rubber Deflector	1	1	1	
	98043	For Mild Steel Moldboards	8	8	8						
	98035	For Stainless Steel Moldboards	8	8	8						

ns = not shown † = Accessory Only \* = packed with headgear G = Grade

Headgear and T-Frame Components



**44600-1, 44650-1, 44675-1, 44685-1, 44695-1, 44775-1, 44785-1, 44795-1**

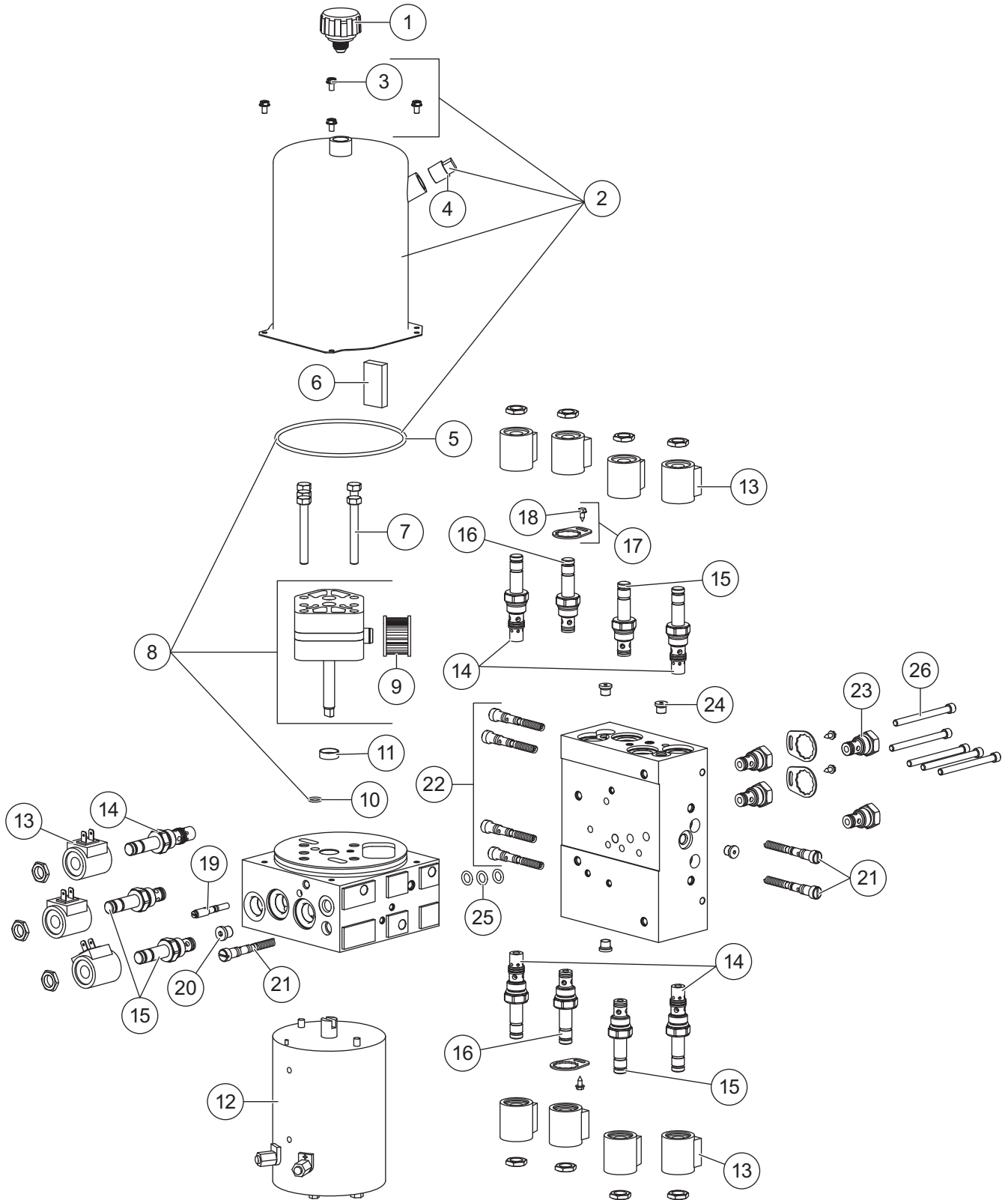
XtremeV™ Headgear and T-Frame Components							
Item	Part	Qty	Description	Item	Part	Qty	Description
1	44558	1	Headgear	30	44555-1	1	T-Frame
2	26757-1	1	Lift Arm Kit – Yellow	32	44556-1	1	Push Assembly
	27560-1	1	Lift Arm Kit – Silver	34	50632	1	Stacking Stop – Short (shown)
3	69689	1	Label – SECURITY GUARD™		44554	1	Stacking Stop – Long (not shown)
4	26777	1	Nameplate, Minute Mount® 2	35	26219	2	Clevis Pin Kit
5	28991	1	Stop Link Kit	40	A6148K	2	Packet – U-Bolt Assembly
6	29037	1	Clevis Pin w/Cotter	41	27534	1	Spring/U-Bolt Kit
7	27462	1	Jack	42	27171K	1	Clevis Kit
8	27163K	1	Bushing Kit (pkg of 2)	44	27169K	1	Cable Kit
9	4289K	2	3/4 x 1-7/8 Machine Pin Packet	45	27075	2	1/8 Wire Rope Clip
10	90658	5	5/32 x 1-1/4 Cotter Pin	46	26188	1	Thimble
11	27468	1	Handle-Link Arm Assembly	47	27172K	1	Clamp Loop Kit
12	27195	1	Flexible Blade Guide Set – 26"	48	91192	2	Round Flat Washer
13	27451	1	Label, Minute Mount® 2 Headgear	49	27177K	2	Step Pin Kit
14	27166K	1	Wire Cam Kit – DS	50	90601	6	1/4 x 1-1/2 Cotter Pin
15	27167K	1	Wire Cam Kit – PS	51	27164K	1	Handle Kit
16	27478	1	Jack Lock	58	26463	1	1/4 x 2 Slotted Spring Pin
17	27461	1	Compression Spring, 3/4 OD x 3-1/2	59	90201	4	3/8-16 x 1 Carriage Bolt G5
18	27168K	2	Connecting Pin Kit	61	66456	2	3/8-16 x 1-1/4 Hex Cap Screw G5
19	821	2	Compression Spring, 1 ID x 3-1/2	63	90286	4	3/4-10 x 2 Hex Cap Screw G5
20	26833	2	1 x 6-15/16 Pin	64	91338	4	3/4-10 Hex Locknut GB
21	90315	4	3/8 Flat Washer	66	22260	4	1 x 4-3/4 Clevis Pin
22	91902	1	1/8 x 1 Cotter Pin	67	95720	1	1 x 3-5/16 Clevis Pin HT
23	27162K	1	Stop Clip Kit	68	44570*	1	Snow Control 7-1/2' and 8-1/2'
24	27535	1	Handle Cover Kit		44571*	1	Snow Control 9-1/2'
25	27465	1	Link Arm	69	48847	2	Label, InstaLock Double-Acting Cylinder
26	90043	1	3/8-16 x 2 Hex Cap Screw G5	ns	27912-1	1	5/16 Grade 43 Chain Bag
27	91333	1	3/8-16 Hex Locknut GB				
28	44028	1	V-Plow Pivot Pin				

ns = not shown

G = Grade

\* = packed with blade

### Hydraulic Unit Components

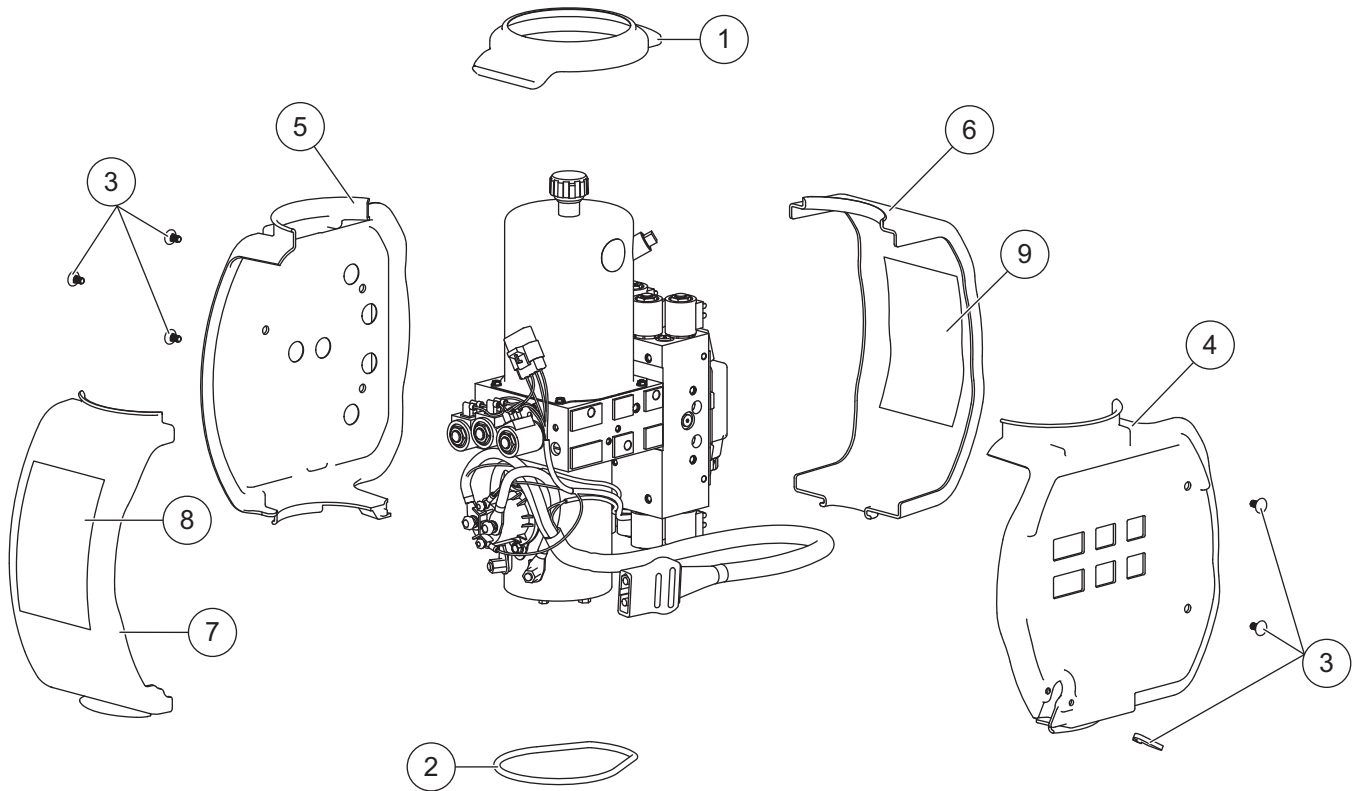




**44600-1, 44650-1, 44675-1, 44685-1, 44695-1, 44775-1, 44785-1, 44795-1**

44330 Hydraulic Unit XtremeV™							
Item	Part	Qty	Description	Item	Part	Qty	Description
1	21727-2	1	Breather Pressure Control	18	63943	4	8-18 x 3/8 Tapping Screw
2	44327-1	1	Reservoir Kit	19	56662	1	Quill Assembly 5/16-24 Thread
3	66607	4	10-24 x 5/16 Machine Screw		48517	1	Quill Assembly 1/2-20 Thread
4	92079	1	3/8 Plug NPTF Square	20	44344	1	7/16-20 Socket O-Ring Boss Plug
5	66519	1	O-Ring 2-250	21	7629K-3	1-1/2	Relief Valve Kit (2 sets)
6	73897	1	Magnet	22	44337	2	Relief Valve Kit (2 sets)
7	90080	5	5/16-18 x 2-1/2 Hex Cap Screw G5	23	44333-1	4	Check Valve CV08-20
8	44329-1	1	Pump Kit	24	92960	4	3/8-24 Socket O-Ring Boss Plug
9	26781-3	1	Suction Filter	25	29077	3	O-Ring – 110
10	56274	1	O-Ring – 013	26	29081	5	1/4-20 x 3 Socket Cap Screw
11	66515	1	Pump Shaft Seal	ns	29099	2	1/4-20 x 1/4 Hex Washer-Head Thread-Rolling Screw
12	21500K-1	1	Motor Assembly 4-1/2"				
13	7639K-2	11	Coil with Spade Terminals	ns	44326	1	1/4-20 x 1/2 6-Lobe Round Washer Head Screw (pkg of 5)
14	44331	5	Valve SVCV08-20 with Nut				
15	7634K-2	4	Valve SV08-2004 with Nut	ns	44355	2	1/4-20 x 5/8 Hex Washer-Head Thread-Rolling Screw
16	44335	2	Valve SF08-2015 with Nut				
17	44369	4	Valve Lock Ring with Screw				
O-Ring Service Kits							
–	7632K-3	–	Back-Up/O-Ring Kit (Does not contain O-rings for cartridge valves.)	–	49259-2	–	Seal Kit – Valves SV08-30, 31, 33, 40, 43 and SVCV 08-20
–	49258-2	–	Seal Kit – Valves SV08-2004, CV08-20, SF08-2015				
ns = not shown				G = Grade			

**Hydraulic Unit Cover Assembly**

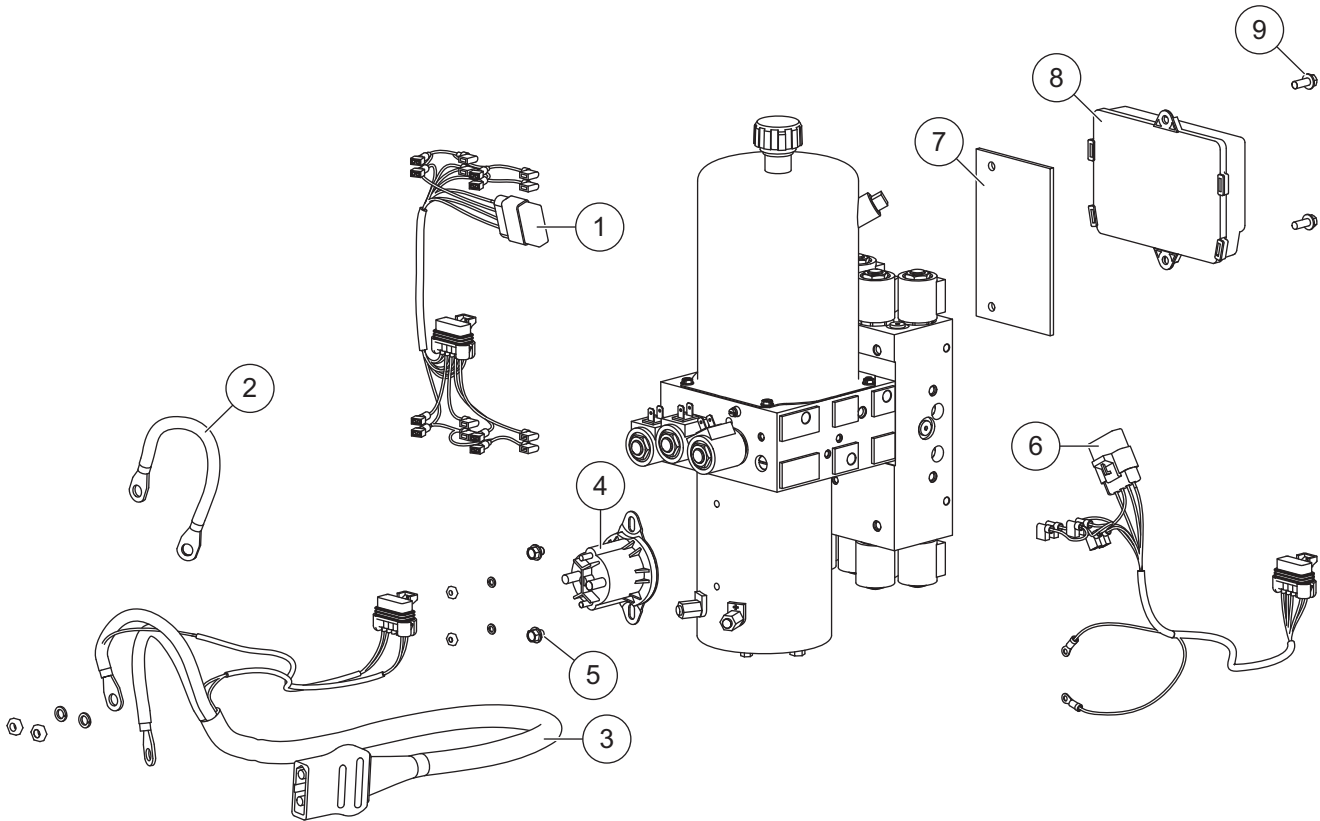


44324 Cover Assembly							
Item	Part	Qty	Description	Item	Part	Qty	Description
1	44352	1	Top Retainer Ring	6		1	Cover Side 03
2	44366	1	Bottom Retainer Ring	7		1	Cover Side 04
3	44326	1	1/4-20 x 1/2 6-Lobe Round Washer Head Screw (pkg of 5) w/8" Cable Tie	8	44310	1	Label – Information (S1–S3)
4		1	Cover Side 01	9	44319	1	Label – Information (S4–S11)
5		1	Cover Side 02	ns	61536	1	Cable Tie – 14"
				ns	44415	1	Label – Information

ns = not shown

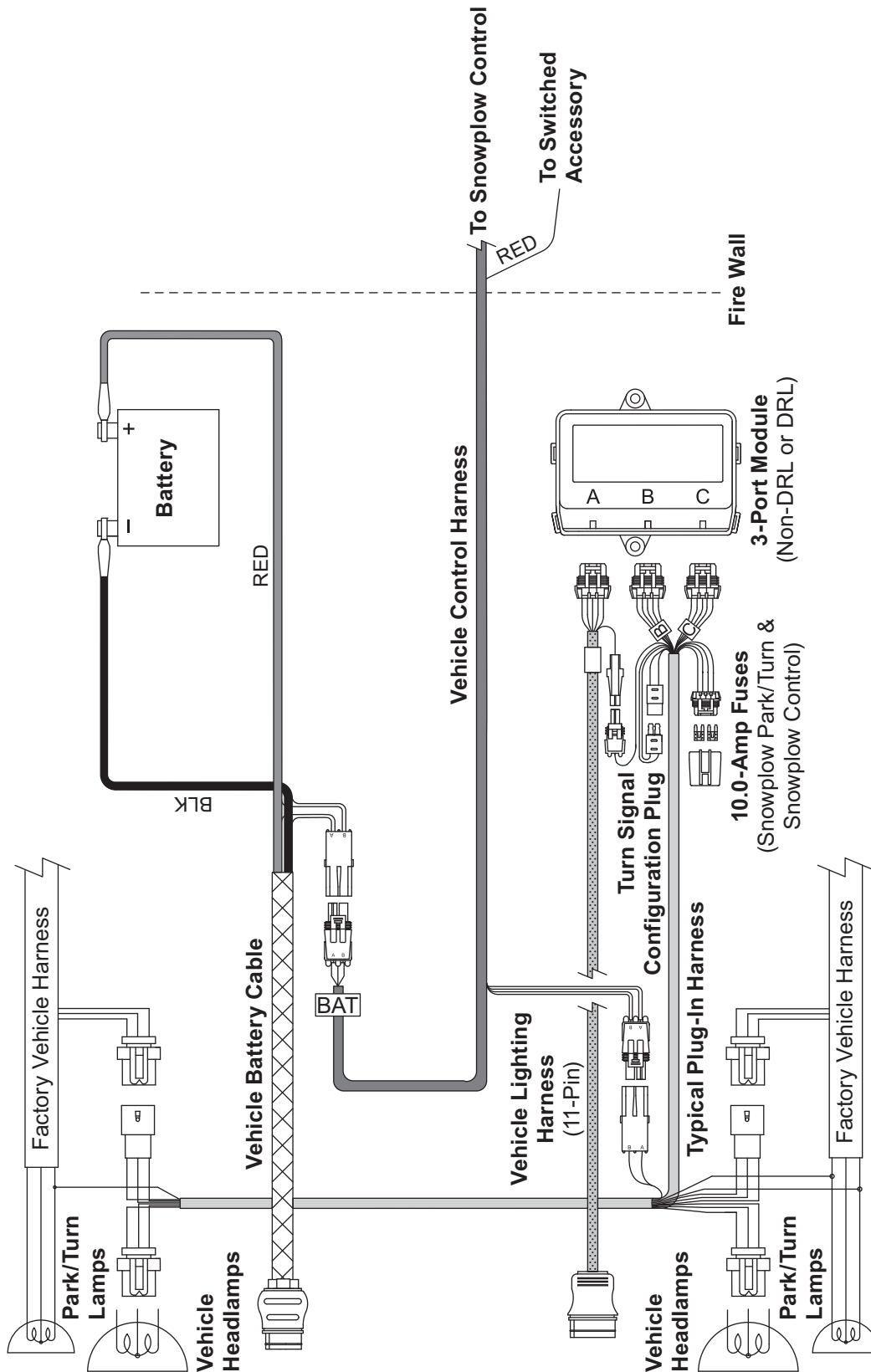


Electrical Components

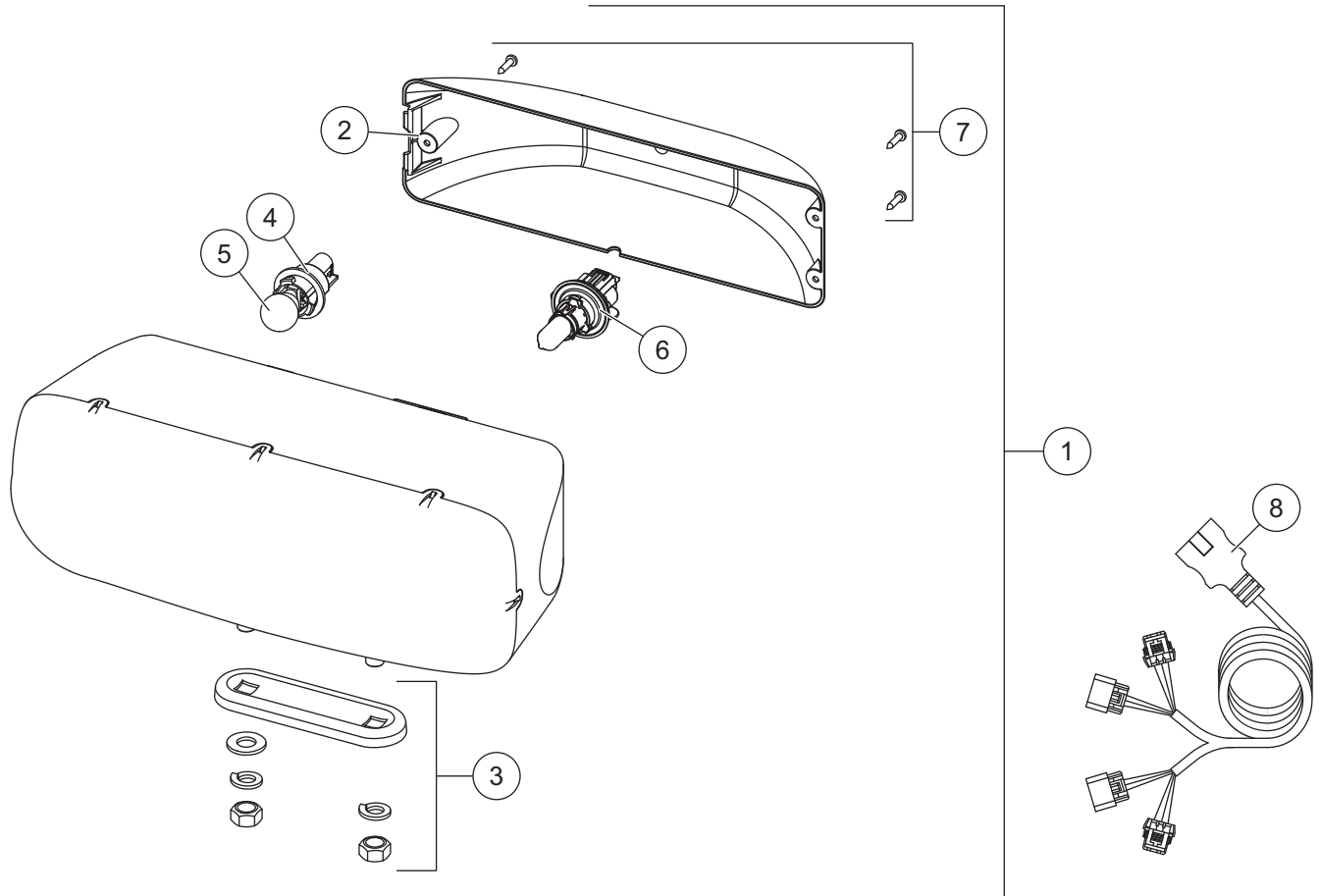


Plow-Side Electrical Components							
Item	Part	Qty	Description	Item	Part	Qty	Description
1	28583	1	Plow Control Harness, 8-Solenoid	8	44354-3	1	Plow Module
2	29071	1	Cable Assembly 8"	9	44355	2	1/4-20 x 5/8 Hex Washer-Head Thread-Rolling Screw
3	42015	1	Snowplow Battery Cable	ns	8284K	1	Cable Boot
4	42901	1	Motor Relay Kit FLEET FLEX	ns	8329K	2	Dielectric Grease (pkg of 2)
5	29099	2	1/4-20 x 1/4 Hex Washer-Head Thread-Rolling Screw	ns		4	Fuse – 4-amp Mini Automotive Blade-Style (for items 1 and 6)
6	28581-1	1	Plow Control Harness, 3-Solenoid				
7	44308	1	Spacer Module				
Vehicle-Side Electrical Components							
*	42014	1	Vehicle Battery Cable	ns	8291K	2	Plug Cover
*	28587	1	Vehicle Control Harness				
* For diagram see Vehicle-Side Harness Diagram.				ns = not shown			

Vehicle-Side Harness Diagram



Headlamp Kit



28800-1 Headlamp Kit (Pair)							
Item	Part	Qty	Description	Item	Part	Qty	Description
1	28802-1	1	Headlamp Service Kit – PS	5		2	Park/Turn Bulb (trade no. 4157NAK)
ns	28801-1	1	Headlamp Service Kit – DS	6	28806	2	H13 Headlamp Bulb Service Kit
2	28803-1	2	Rear Cover Kit (fits 2- or 3-screw)	7	28808-1	2	Cover Screws Service Kit (pkg of 3)
3	28804	2	Mounting Hardware Kit	8	28213K	1	Harness Service Kit
4	28805	2	Park/Turn Socket Service Kit				

ns = not shown



Copyright © 2013 Douglas Dynamics, L.L.C. All rights reserved. This material may not be reproduced or copied, in whole or in part, in any printed, mechanical, electronic, film or other distribution and storage media, without the written consent of Fisher Engineering. Authorization to photocopy items for internal or personal use by Fisher Engineering outlets or snowplow owner is granted.

Fisher Engineering reserves the right under its product improvement policy to change construction or design details and furnish equipment when so altered without reference to illustrations or specifications used. Fisher Engineering or the vehicle manufacturer may require or recommend optional equipment for snow removal. Do not exceed vehicle ratings with a snowplow. Fisher Engineering offers a limited warranty for all snowplows and accessories. See separately printed page for this important information. The following are registered (®) or unregistered (™) trademarks of Douglas Dynamics, L.L.C.: FISHER®, Insta-Act®, Minute Mount® 2, SECURITY GUARD™, STORM GUARD™, XtremeV™.

**Printed in U.S.A.**

---