

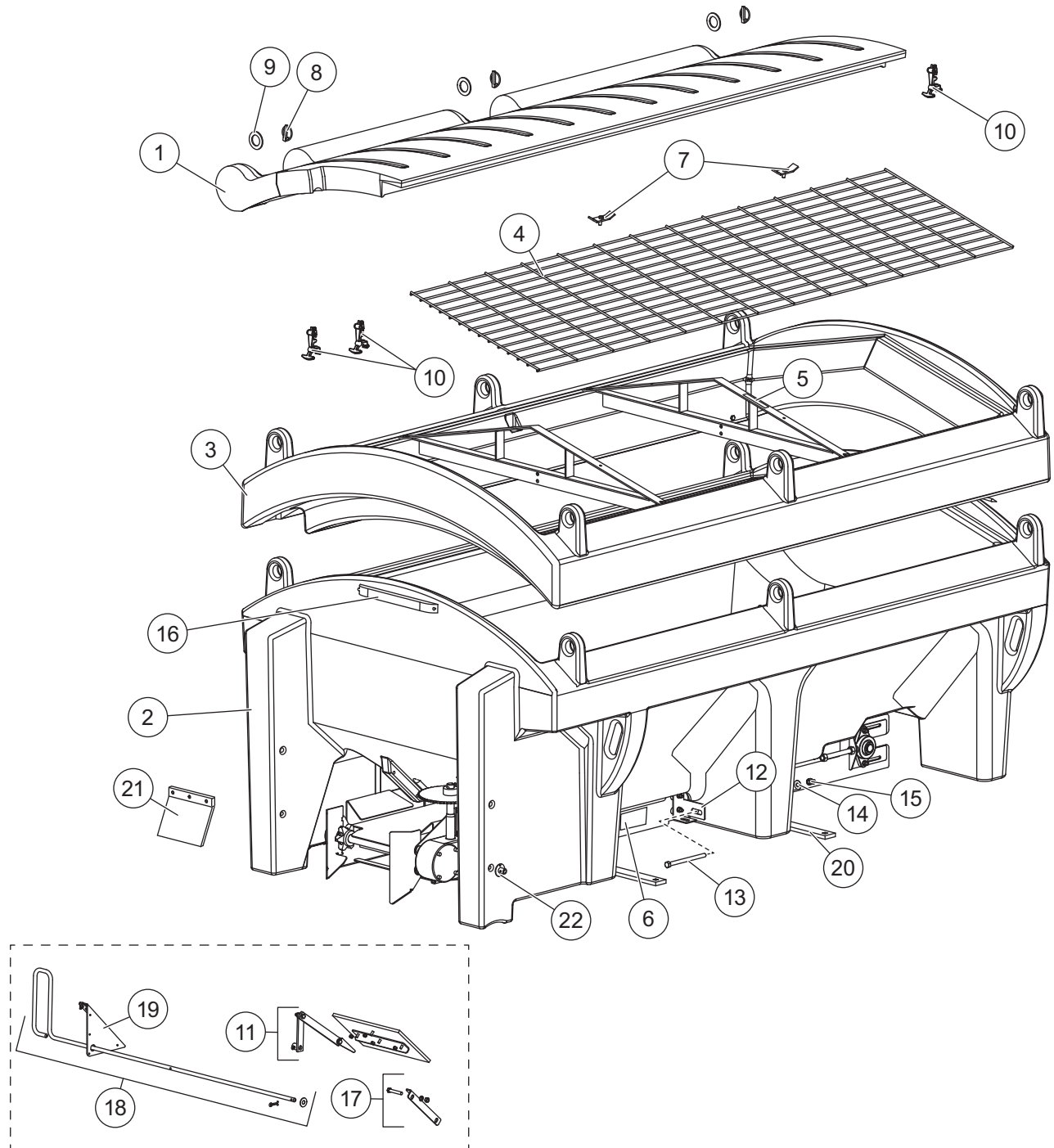


**78000, 78003, 78006**  
**Hopper Spreader Components**  
**Tornado™ Hopper Spreader**  
**Parts List**

This Parts List is for WESTERN® Tornado Hopper Spreaders with serial numbers beginning with 090527-120430.

# Tornado™ HOPPER SPREADER

## HOPPER COMPONENTS

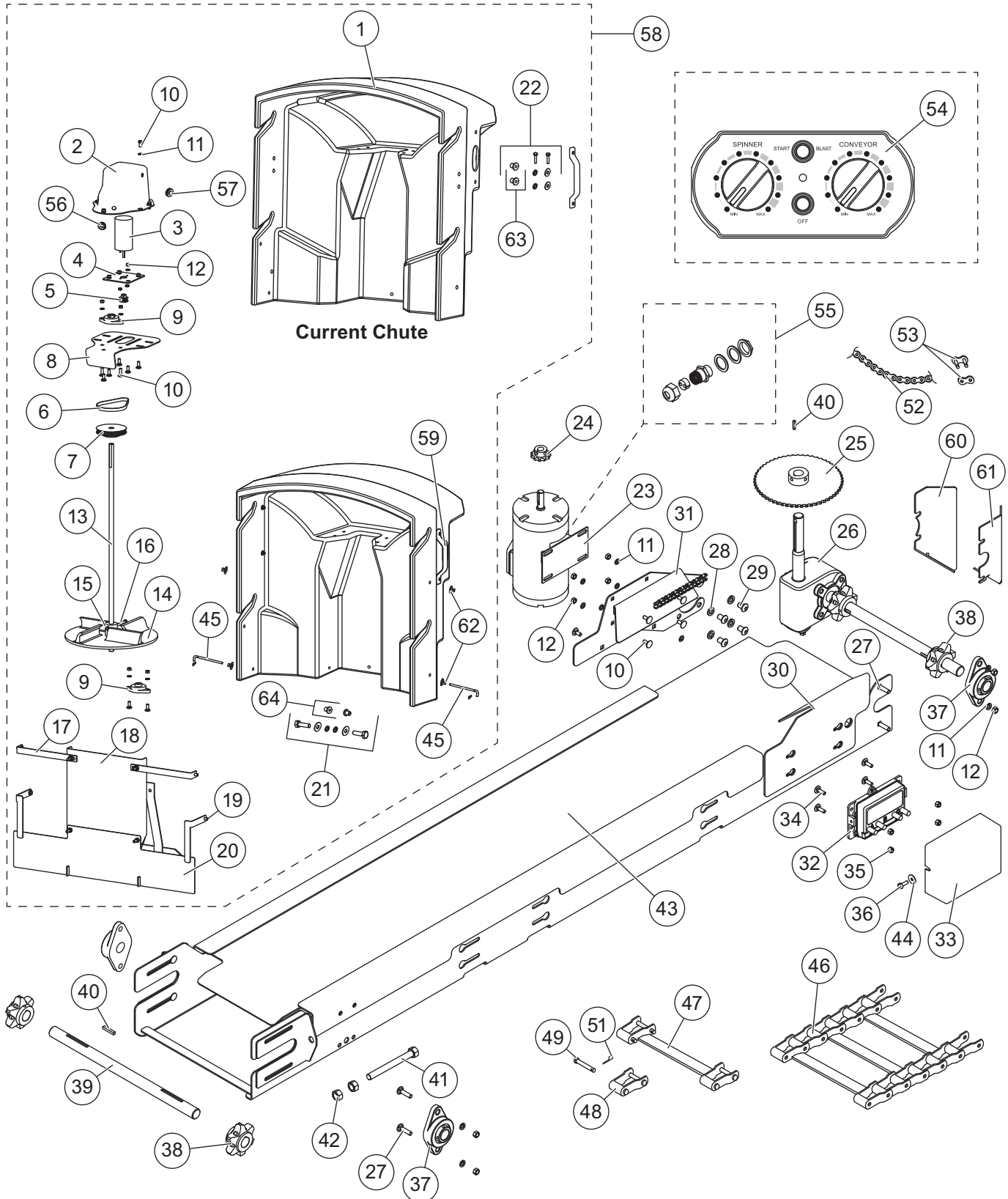


# Tornado™ HOPPER SPREADER

Hopper Components							
Item	Part	Qty	Description	Item	Part	Qty	Description
1	78018	1	Poly Hopper Lid 7' (DS)	12	78119	3	Hopper Mounting Bracket (PS)
	78019	1	Poly Hopper Lid 8' (DS)	ns	78133	3	Hopper Mounting Bracket (DS)
ns	78020	1	Poly Hopper Lid 7' (PS)	13	78203	4	1/2-13 x 7-1/2 Hex Cap Screw SS
	78021	1	Poly Hopper Lid 8' (PS)	14	68109	4	1/2 Flat Washer SS
2	78009	1	Poly Hopper Body 7'	15	95834	4	1/2-13 Hex Locknut SS
	78012	1	Poly Hopper Body 8'	ns	90375	8	3/8-16 x 1 Carriage Bolt SS
3	78226	1	Poly Hopper 8' Collar	ns	91282	8	3/8 Lock Washer SS
4	78115	2	Top Screen, 7' (Painted)	ns	91431	8	3/8-16 Hex Nut SS
	78116	2	Top Screen, 8' (Painted)	16	78048	1	CHMSL Kit (w/fasteners)
5	78117-1	2	Top Screen Brace w/Label (67272) Poly Hopper	17	78083	2	Feed Gate Guide with Fasteners Kit (incl. 94495 [2], 78047 [1], 91350 [2])
6	68584	2	Label – Warning/Caution, Spreaders	18	78094	1	Feed Gate Handle Kit (incl. 78029, 90601 [2] and item 14)
7	96038	4	Wing Bolt	19	78098	1	Feed Gate Detent Bracket (incl. 78028 w/fasteners)
8	93010	6	7/16 Linchpin	ns	66438	4	3/8-16 x 1-1/2 Hex Cap Screw
9	78097	6	Washer 2.5 OD x 1.53 ID SS	20	78109	2	Mounting Bar (incl. 78056, 90380 [2] and items 14 [2], 15 [2])
10	65224	3	Strap, Rubber Hold-Down Assembly	ns	78242	1	Poly Hopper Collar Hardware Kit
ns	61246	1	Cable Boot	21	78177	1	Sprocket Shield Kit
ns	8289	1	Boot Bracket	22	78262	2	Chute Attachment Sleeve Kit
ns	96375	1	3/8 x 1 Sheet Metal Screw				
11	78118	1	Feed Gate Assembly Kit, Poly Hopper (incl. 78093, 90601)				
ns = not shown		SS = Stainless Steel		G = Grade			

# Tornado™ HOPPER SPREADER

## DRIVE COMPONENTS



# Tornado™ HOPPER SPREADER

Drive Components							
Item	Part	Qty	Description	Item	Part	Qty	Description
1	78022	1	Chute Cover	43	78193	1	Sill 8'
2	78099	1	Chute Motor Cover	44	67155	2	5/16 Flat Washer SS
3	78300	1	Motor 12 V DC 1/3 hp (incl. 93101)	45	78031	1	Chute Attachment Pin Bag (pkg of 2)
4	78125	1	Chute Motor Mounting Plate Kit (incl. 68511 [2], 78068 and items 10 [4], 11 [4], 12 [4])	46	78076	1	Pintle Chain (99 Links)
5	78106‡	1	10-Tooth Cogged Belt Pulley	94898		1	Pintle Chain (108 Links)
6	M1355	1	Gear Belt	47	68492	AR	Conveyor Repair Bar w/Pins and Cotters
7	78066	1	40-Tooth Cogged Belt Pulley 3/4 Bore	48	68475	AR	Conveyor Repair Link w/Pins and Cotters
8	78126	1	Chute Motor Base Plate Kit (incl. items 11 [4], 19 [4], 78065)	49	41743	AR	Conveyor Chain Pin w/Cotter
9	96167	2	Pillow Block Bearing 3/4 Bore	51	91897	AR	3/32 x 1/2 Cotter Pin
10	90375	28	3/8-16 x 1 Carriage Bolt SS	52	78075	1	#40 Chain with Master Link
11	91282	39	3/8 Lock Washer SS	53	95894	AR	#40 Chain Master Link
12	91431	34	3/8-16 Hex Nut SS	54	78102	1	Cab Control
13	78067	1	Spinner Shaft	55	78201	1	Seal Kit
14	94424	1	Spinner, Poly	56	78107	1	Cap Plug for Motor Cover
15	91430	1	5/16-18 Hex Nut SS	57	66130	1	Grommet
16	94495	1	5/16-18 x 2-1/4 Hex Cap Screw SS	58	78229-1	1	Full Chute Assembly
17	78128	2	Deflector Bracket	59	78247	2	Chute Handle Kit
18	78129	1	Deflector	60	78261	1	Sill Deflector, PS
19	90376	5	3/8-16 x 3/4 Hex Cap Screw SS	61	78260	1	Sill Deflector, DS
20	78130	1	Spinner Guard	62	78262	4	Chute Attachment Sleeve Kit
21	78268	1	3/8 Well Nut Fastener Kit	63	78269	1	1/4 Well Nut (pkg of 2)
22	78270	1	1/4 Well Nut Fastener Kit	64	78267	1	3/8 Well Nut (pkg of 2)
23	95755-2	1	Motor 12 V DC 1/2 hp	ns	78199	1	CHMSL Harness Kit
24	95777	1	Sprocket, #40 x 11T x 5/8	ns	29217	1	Vehicle Power Cable
25	78057	1	Sprocket, #40 x 55T x 1	ns	48808	1	Spreader Power Cable
26	95567	1	Gear Case 20:1	ns	29221	1	Vehicle-Side Control Harness
27	68345	10	3/8-16 x 1-1/2 Carriage Bolt SS	ns	78103	1	Wiring – Module to Motor
28	91284	4	1/2 Lock Washer Spring SS	ns	78104	1	Wiring – Module to Spinner Connector
29	68360	4	1/2-13 x 3/4 Button Cap Screw	ns	78105	1	Wiring – Spinner Connector to Spinner Motor
30	78131	1	Chain Guard (DS Rear)	ns	95836	1	Fuse, 100 Amp
31	78132	1	Chain Guard (PS Rear)	ns	95837	1	Fuse Holder
32	78178-1	1	Control Module – Dual Motor	ns	22511K	1	22" Battery Cable
33	78108	1	Module Cover	ns	78246	1	Control Bracket Kit
34	90556	4	5/16-18 x 1 Carriage Bolt	ns	61548K	1	Plug Cover Kit
35	91350	4	5/16-18 Hex Locknut GB SS	ns	78266	1	Chain Wiper Kit
36	90381	2	1/4-20 x 3/4 Hex Cap Screw SS				
37	94536	3	1-1/8 Bearing, 2-Bolt Flange				
38	65909	4	Drive Sprocket, 6T				
39	94351	1	Idler Shaft				
40	65174	5	Machine Key 1/4 sq x 1-1/2				
41	65609	2	5/8-11 x 6 Take-Up Bolt SS				
42	91435	4	5/8-11 Hex Nut				
43	78192	1	Sill 7'				

ns = not shown

AR = As Required

SS = Stainless Steel

G = Grade

‡ = For use on motors with 5/16" shaft only

**See page 6 for Accessories parts list.**

# Tornado™ HOPPER SPREADER

---

Accessories							
Item	Part	Qty	Description	Item	Part	Qty	Description
ns	78197	1	License Plate Light Kit	ns	78204	1	Vehicle-Side Harness Kit
ns	78198	1	Work Light Kit	ns	78195	1	Vibrator Kit
ns	78120	1	Inverted Vee Kit, 8' Models	ns	78150	1	Inverted Vee Kit, 7' Models

ns = not shown

Copyright © 2012 Douglas Dynamics, L.L.C. All rights reserved. This material may not be reproduced or copied, in whole or in part, in any printed, mechanical, electronic, film or other distribution and storage media, without the written consent of Western Products. Authorization to photocopy items for internal or personal use by Western Products outlets or spreader owner is granted.

Western Products reserves the right under its product improvement policy to change construction or design details and furnish equipment when so altered without reference to illustrations or specifications used. Western Products or the vehicle manufacturer may require or recommend optional equipment for spreaders. Do not exceed vehicle ratings with a spreader. Western Products offers a limited warranty for all spreaders and accessories. See separately printed page for this important information. The following are registered (®) or unregistered (™) trademarks of Douglas Dynamics, L.L.C.: Tornado™, WESTERN®.

**Printed in U.S.A.**