

# Owner / Operator's Manual

This Manual Must Be Read Before Operating The Equipment

# SNOWEX<sup>®</sup>

LEADERS IN ICE CONTROL



## SP-65

Serial # PA-201033 and higher

**TRYNEX**<sup>®</sup>  
INTERNATIONAL

**CUSTOMER COPY**

Madison Heights, Michigan 48071  
800-725-8377  
[www.snowexproducts.com](http://www.snowexproducts.com)

© TrynEx International 2013  
(REV B) F50753

# Table of Contents

---

- General Information ..... 3
- Introduction ..... 4
- Safety ..... 5
- Operation ..... 6
- Assembly Instructions ..... 7 - 10
- Troubleshooting ..... 11
- Warranty ..... 12
- Key to Parts ..... 13
- Hopper Assembly Parts Breakdown
  - Model # SP-65 ..... 14 - 15
- Axle Assembly Parts Breakdown
  - Model # SP-65 ..... 16 - 17
- Handle Assembly Parts Breakdown
  - Model # SP-65 ..... 18 - 19
- Notes ..... 20 - 23

Have a question or need assistance?

**SnowEx Customer Care**

**1-800-SALTERS**

or (248) 586-3500

Monday through Friday 8:00 AM to 4:30 PM EST

Fax: (248) 691-8378

E-mail: [customercare@trynexfactory.com](mailto:customercare@trynexfactory.com)

Website: [www.snowexproducts.com](http://www.snowexproducts.com)



## General Information

---

### CONGRATULATIONS!

The SnowEx product you have purchased is an example of snow and ice management product at its finest! Your SnowEx product's self contained design is a trademark of all SnowEx products. Here's why..

**SIMPLICITY:** Fewer moving parts manufactured of higher quality means minimal maintenance for your SnowEx product.

**RELIABILITY:** High impact linear low density polyethylene hopper, custom engineered powder coated frame.

**VERSATILITY:** Multi-use capability allows spreading of a variety of materials.

**WARRANTY:** Two years parts and labor from date of installation.

The benefits you are about to recognize are that of time, money and effort.  
We welcome you to the world of SnowEx Performance.

## Registration

---

Record the following information in this manual for quick reference.

Model Number \_\_\_\_\_

Serial Number \_\_\_\_\_

Date of Purchase \_\_\_\_\_

Dealer Where Purchased \_\_\_\_\_

When ordering parts, the above information is necessary. This will help to ensure that you receive the correct parts.

At the right is a diagram of the ID tag. This tag is located on the frame.

Please fill out the warranty card with all the necessary information to validate it. This will also give us a record so that any safety or service information can be communicated to you.



This manual has been designed for your help. It will assist you and instruct you on the proper set-up, installation and use of this product.

Refer to the table of contents for an outline of this manual.

We require that you read and understand the contents of this manual completely (especially all safety information) before attempting any procedure contained in this manual. Extra copies of Owner / Operator Manuals can be purchased at your SnowEx Dealer.



THIS SIGN SHOULD ALERT YOU:

The Society of Automotive Engineers has adopted this Safety Alert Symbol to pinpoint characteristics that, if not carefully followed, can create a safety hazard. When you see this symbol in this manual or on the machine itself, be alert! Your personal safety and the safety of others is involved.

Defined below are the Safety Alert Messages and how they will appear in this manual:



**DANGER**

(RED)

Information that, if not carefully followed, can cause death!



**WARNING**

(ORANGE)

Information that, if not carefully followed, can cause serious personal injury or death!



**CAUTION**

(YELLOW)

Information that, if not carefully followed, can cause minor injury or damage to equipment



Before attempting any procedure in this book, these safety instructions must be read and understood by all workers who have any part in the preparation or use of this equipment.

For your safety warning and information decals have been placed on this product to remind the operator of safety precautions . If anything happens to mark or destroy the decals, please request new ones from SnowEx.



Remember, most accidents are preventable and caused by human error. Exercising of care and precautions must be observed to prevent the possibility of injury to operator or others!

Never operate equipment when under the influence of alcohol, drugs, or medications that might alter your judgment and/or reaction time.

Before working with the spreader, secure all loose fitting clothing and unrestrained hair.

Always wear safety glasses with side shields when servicing spreader. Failure to do this could result in serious injury to the eyes.

Never attempt to lift a unit with material in it.

Never allow children to operate or climb on equipment.

Always check areas to be spread to be sure no hazardous conditions or substances are in the area.

Always inspect unit for defects: broken, worn or bent parts, weakened areas on spreader.

Remember it is the owner's responsibility to communicate information on safe usage and proper maintenance of all equipment.

Always make sure personnel are clear of areas of danger when using equipment.

Never weld or grind on equipment without having a fire extinguisher available.

Inspect the unit periodically for defects. Parts that are broken, missing or worn out must be replaced immediately. The unit or any part of it can not be altered without prior written permission from the manufacturer.



Never use wet materials or materials with foreign debris with any of these spreaders. These units are designed to handle dry, clean, free flowing material.

Never leave material in hopper for long periods of time. Be aware that all salt is hygroscopic and will attract atmospheric moisture and harden up.

# Spreader Operation

## Model # SP-65

### SPREADER LOADING

Capacity: 1.5 Cubic Foot Hopper

Do not overload spreader. Weights of material are an average for dry materials.

Material	Weight Per Cubic Ft.
Rock Salt	80-90 lbs.
Sand/Salt Mix	95-120 lbs.



Never remove spreader from vehicle with material in it as this could cause damage to the frame assembly.

Never leave materials in hopper for long periods of time, salt is hygroscopic and will attract atmospheric moisture and harden up.

### SPREADING TIPS

For a heavier pass:

- Walk Slower
- Increase Gate Opening

For a lighter pass:

- Walk Faster
- Restrict Gate Opening

For a wider pass:

- Walk Faster

Spread ice melters with the storm to prevent unmanageable levels of ice.

Calculate spread pattern when near vegetation and vehicles

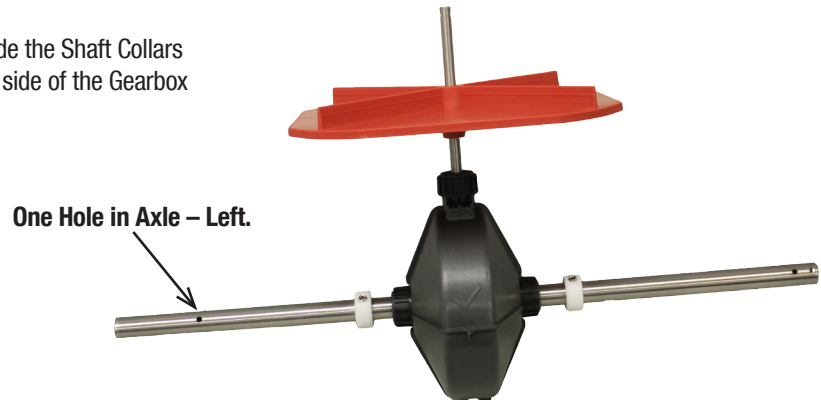
Gate Stop can be used to set how much salt is put down at your normal walking speed.

## Assembly Instructions

Model # SP-65

### STEP 1

Open Box. Remove the Axle/Spinner Assembly. Slide the Shaft Collars from the hardware kit onto the axle - one on each side of the Gearbox



### STEP 2

Slide the Hopper Frame Assemblies over the Axle - one on each side of the Gearbox.



### STEP 3

Install Drive Wheel. Slide the 2" Cotter Pin through both the wheel and axle.



## Assembly Instructions

### Model # SP-65

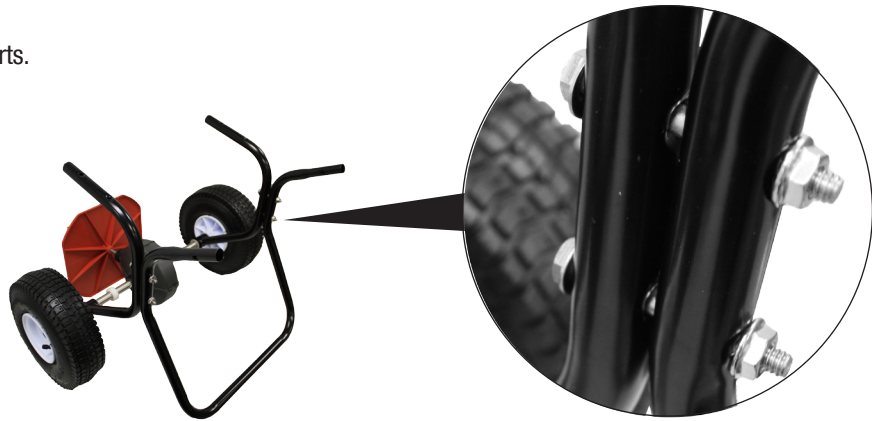
#### STEP 4

Install the other Wheel. Slide the 1.5" Cotter Pin through the Axle, outside the Wheel.



#### STEP 5

Install Frame Stand. Attach to the Hopper Supports.

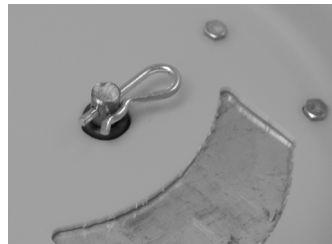


#### STEP 6

Install Hopper. Put Bolts with Washers through all four holes in Hopper and Frame. Thread on the Nuts.

#### STEP 7

Put Agitator Pin through Spinner Shaft inside hopper.



#### STEP 8

Bolt Cable to both handles. It should be positioned so the cable points toward the base of the handle and will be to the operator's left. Hand-tighten only.





## Assembly Instructions

Model # SP-65

---

### STEP 9

Put bolt through both handles at the base. Hand-Tighten only.



---

### STEP 10

Put Handle Assembly onto frame. Insert Bolts. Hand-Tighten.



---

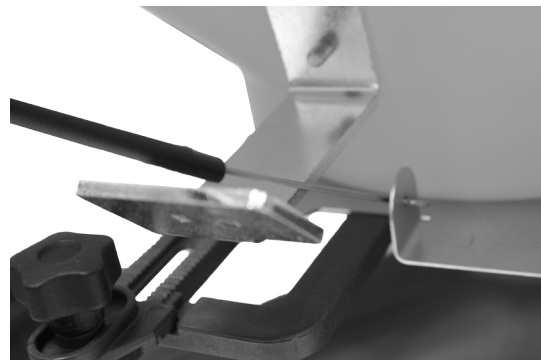
### STEP 11

Tighten Bolts holding the handle together, then tighten the bolts holding the handle to the frame.

---

### STEP 12

Put Cable Lever into Off position. Pull Gate as far back as possible. Attach Cable to Gate.



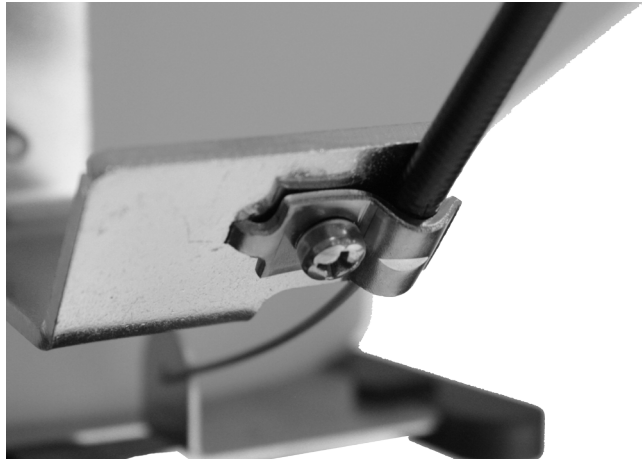
# Assembly Instructions

Model # SP-65



## STEP 13

Install Cable Clip to cable bracket.



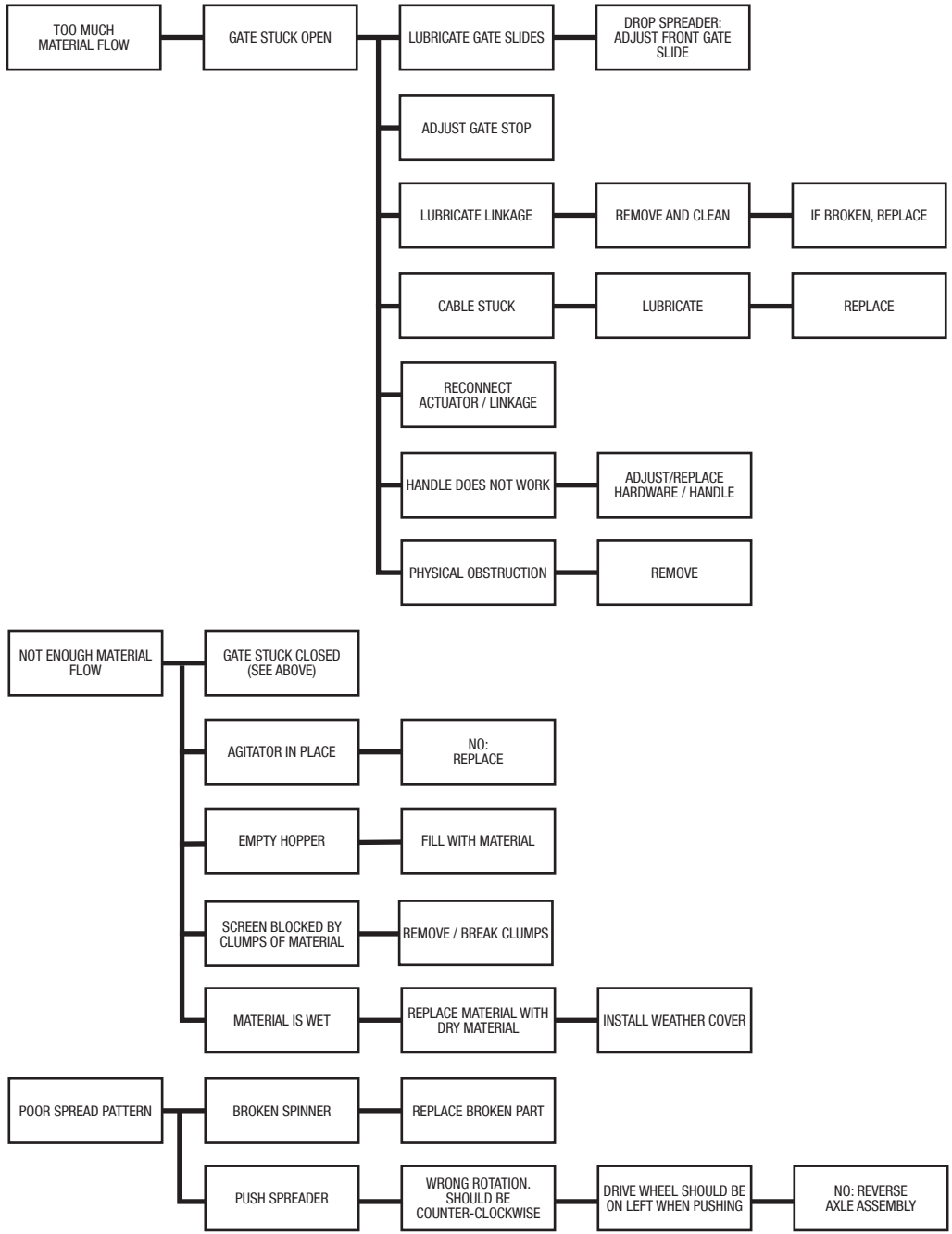
COMPLETE.



# Troubleshooting



## Model # SP-65



## Limited Warranty

Snowex products are warranted for a period of two years from the date of purchase against defects in material or workmanship under normal use and service, subject to limitations detailed below. Warranty period of two years begins on the date of purchase by the original retail user.

The WARRANTY REGISTRATION CARD must be returned to the manufacturer for this warranty to become effective. This warranty applies to the original retail purchaser only. This warranty does not cover damages caused by improper installation, misuse, lack of proper maintenance, alterations or repairs made by anyone other than authorized Snowex dealers or Snowex personnel. Due to the corrosive properties of the materials dispensed by spreaders, Trynex does not warrant against damage caused by corrosion. Warranty claims by the user must be made to the dealer from where the product was purchased, unless otherwise authorized by Snowex. Snowex reserves the right to determine if any part is defective and to repair or replace such parts as it elects. This warranty does not cover shipping costs of defective parts to or from the dealer.

### LIMITATION OF LIABILITY

Neither Snowex, nor any company affiliated with it, makes any warranties, representations for promise as to the performance or quality other than what is herein contained. The liability of Snowex to the purchaser for damages arising out of the manufacture, sale, delivery, use or resale of this spreader shall be limited to and shall not exceed the costs of repair or replacement of defective parts. Snowex shall not be liable for loss of use, inconvenience or any other incidental, indirect or consequential damages, so the above limitations on incidental or consequential damages may not apply to you.

NO DEALER HAS AUTHORITY TO MAKE ANY REPRESENTATION OR PROMISE ON BEHALF OF SNOWEX, OR TO ALTER OR MODIFY THE TERMS OR LIMITATIONS OF THIS WARRANTY IN ANY WAY.

## Key to Parts

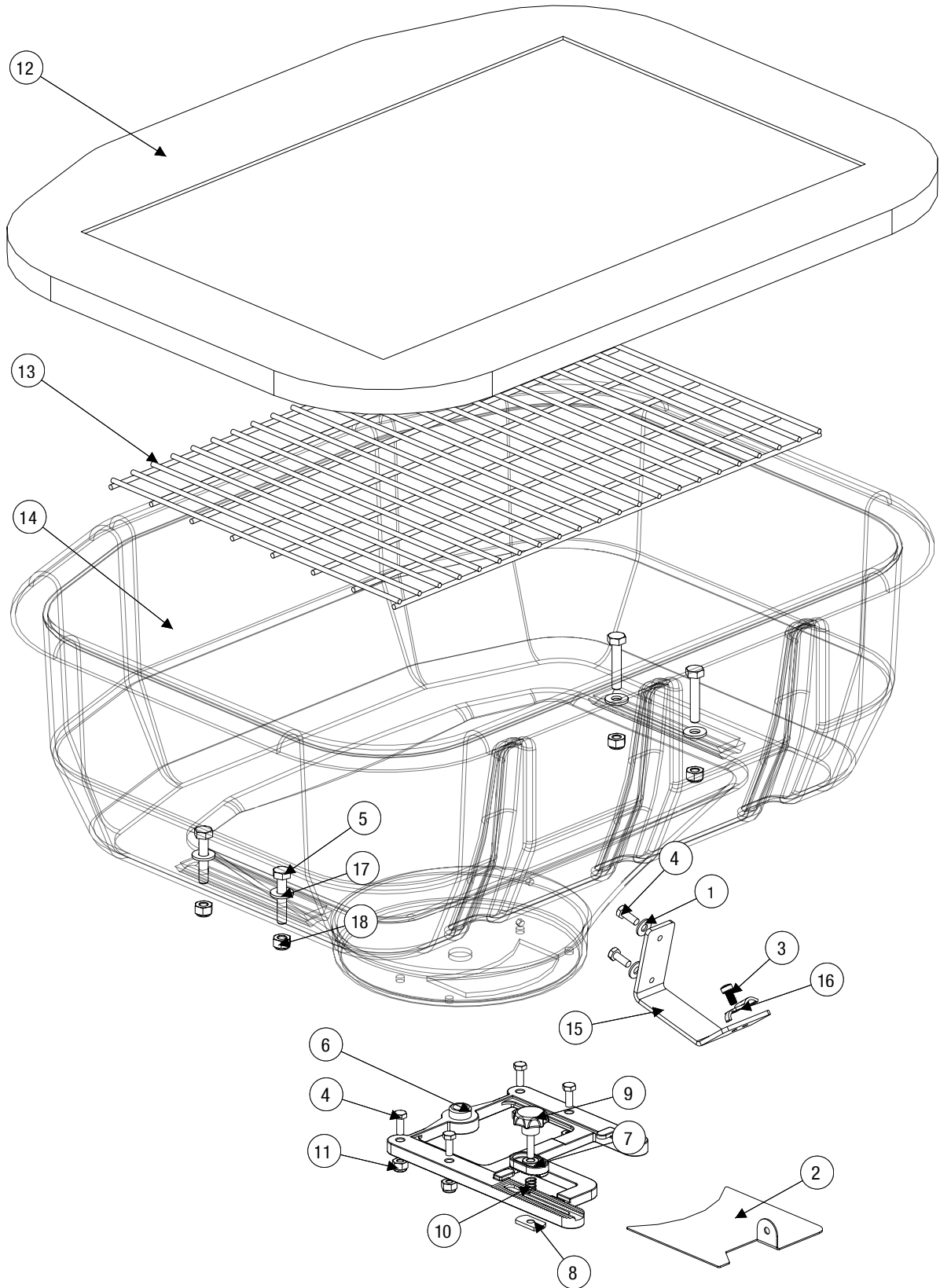
### Model # SP-65

A4014	Hardware Kit   Handle	D5936	Gate Stop Spring
A4185	Hardware Kit	D5938	Spring Pin   5/32" X 3/4"
D5292	Washer   #10 Flat Stainless	D5939	Spring Pin   5/32" X 1"
D5345	Gate Slide	D5941	Axle Spacer
D5384	Decal   Made In The USA	D5948	Nut   #10-32 Nylox Stainless
D5389	Decal   Serial Number	D5967	Hopper Cover
D5902	Spinner	D5971	Wheel
D5905	Bolt   #10-32 X 1/2" Hex Head	D5973	Top Screen
D5909	Gear   Axle	D5974	Hopper Frame Leg
D5910	Gear   Spinner Shaft	D5975	Handle Right
D5911	Gear Cover	D5976	Handle Left
D5912	Gate Track	D5977	Frame Stand
D5913	Gear Support	D5981	Hopper
D5915	Axle	D5982	Cable Bracket
D5916	Spinner Shaft	D5983	Gate Cable
D5917	Handle Grip	D5990	Decal   On/Off
D5921	Spring Pin   3/16" X 1-1/4"	D5993	Stir Wire
D5923	Wheel Bushing	D5994	Grease Fitting Straight   1/8" Drive
D5926	Spinner Shaft Support	D6024	Shaft Collar
D5927	Gate Adjustment Stop	D6090	Tube Cap
D5928	Gate Stop Nut	F50753	Owner's Manual
D5930	Gear Cover Lock Ring	F50772	Cable Clip
D5935	Gate Stop Knob		

# Hopper Assembly Parts Breakdown



Model # SP-65

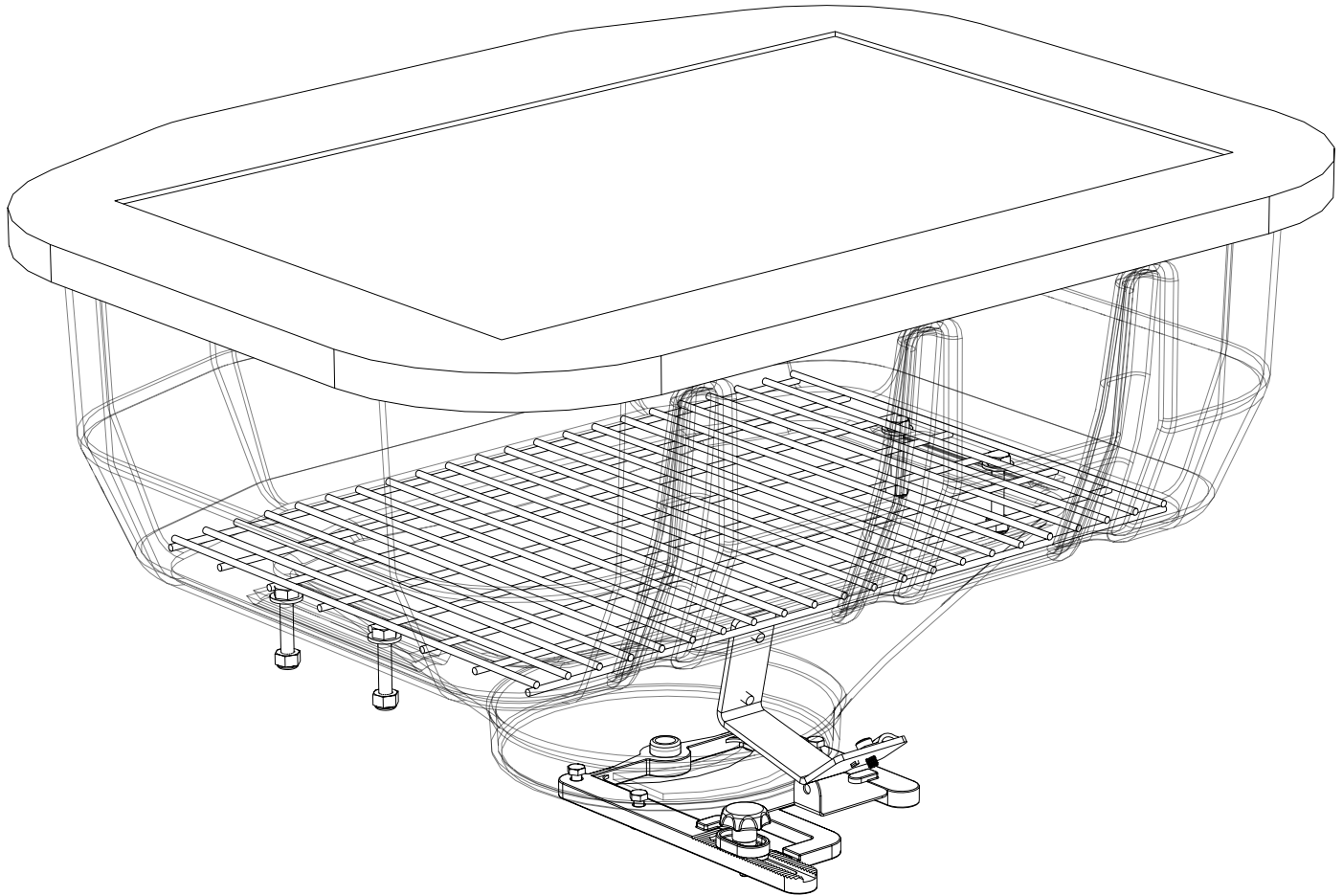




# Hopper Assembly Parts Breakdown



Model # SP-65



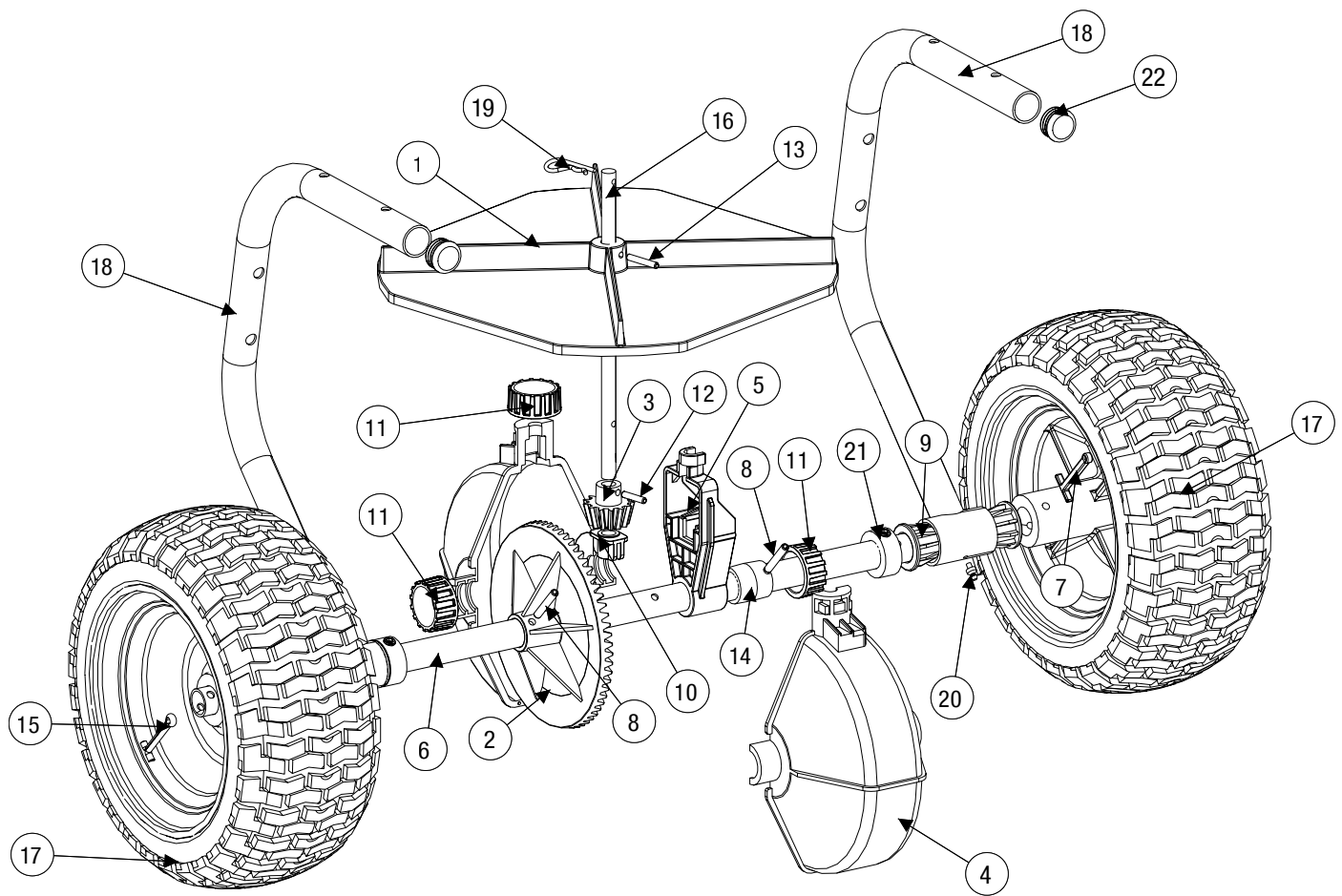
ID #	Part #	Qty
1	D5292	2
2	D5345	1
3	D5361	1
4	D5905	6
5	D5907	4
6	D5912	1
7	D5927	1
8	D5928	1
9	D5935	1
10	D5936	1

ID #	Part #	Qty
11	D5948	4
12	D5967	1
13	D5973	1
14	D5981	1
15	D5982	1
16	F50772	1
17	T15014	4
18	T15016	4

# Axle Assembly Parts Breakdown



Model # SP-65

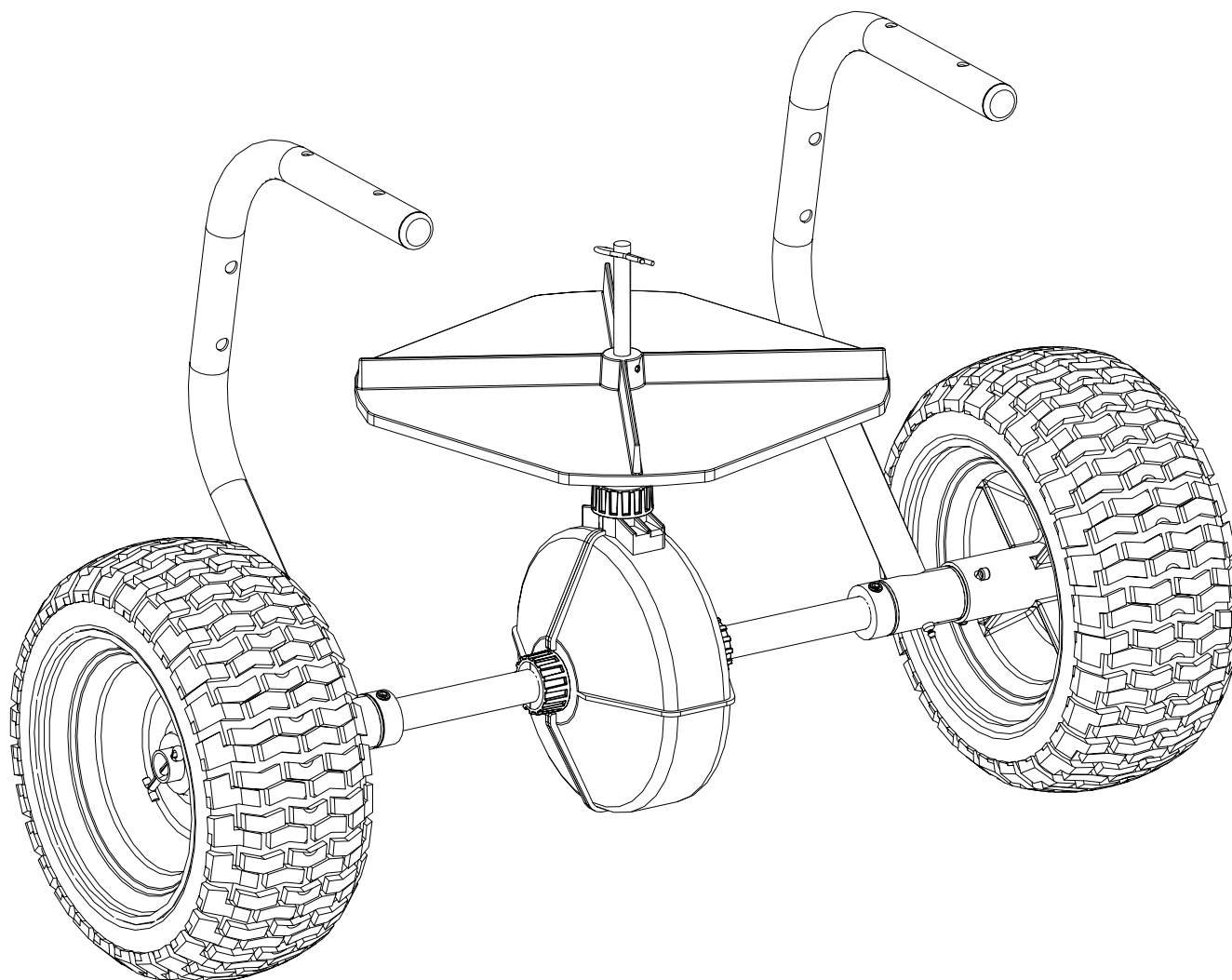




# Axle Assembly Parts Breakdown



Model # SP-65



ID #	Part #	Qty
1	D5902	1
2	D5909	1
3	D5910	1
4	D5911	2
5	D5913	1
6	D5915	1
7	D5919	1
8	D5921	2

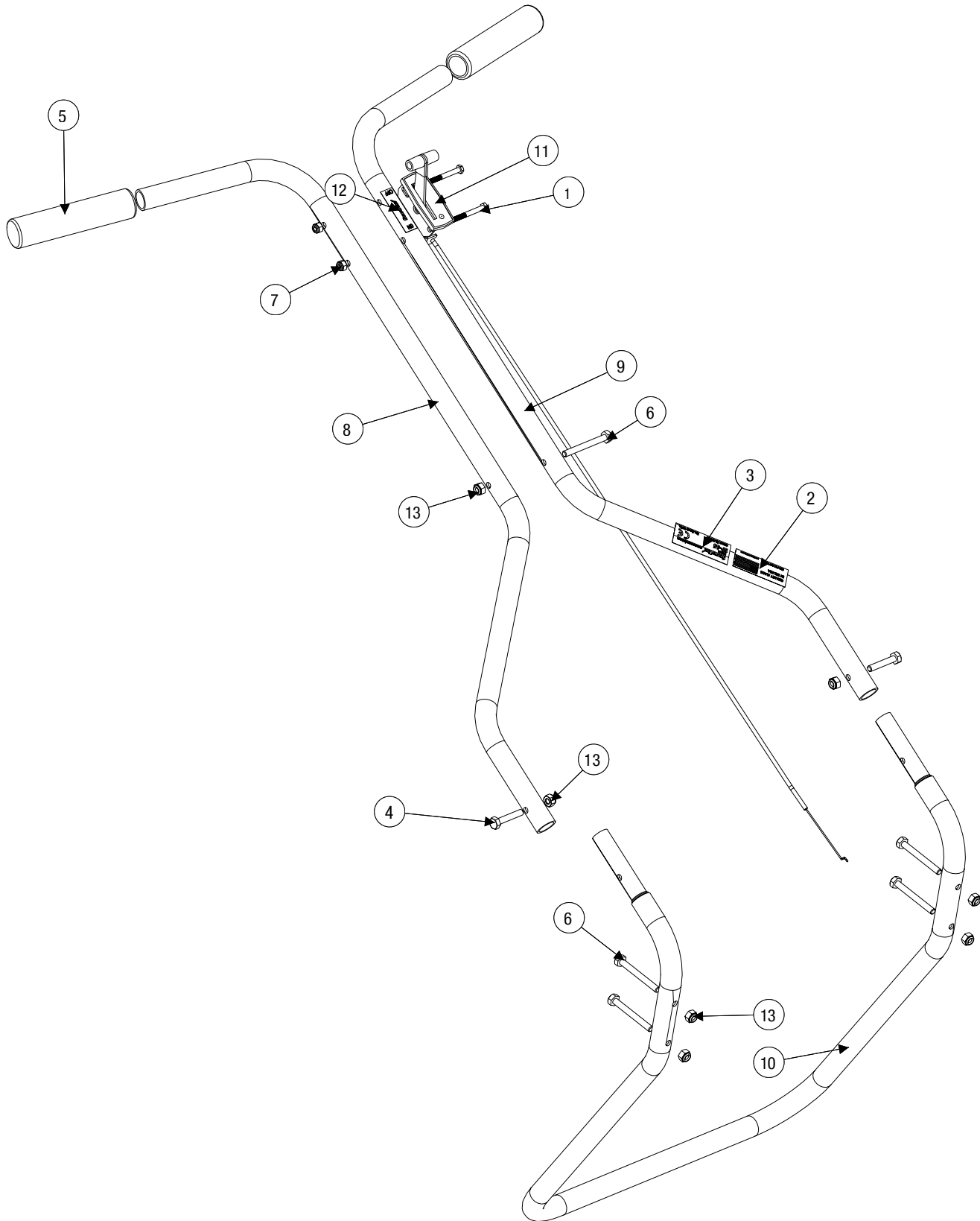
ID #	Part #	Qty
9	D5923	4
10	D5926	1
11	D5930	3
12	D5938	1
13	D5939	1
14	D5941	1
15	D5947	1
16	D5956	1

ID #	Part #	Qty
17	D5971	2
18	D5974	2
19	D5993	1
20	D5994	2
21	D6024	2
22	D6090	2

# Handle Assembly Parts Breakdown



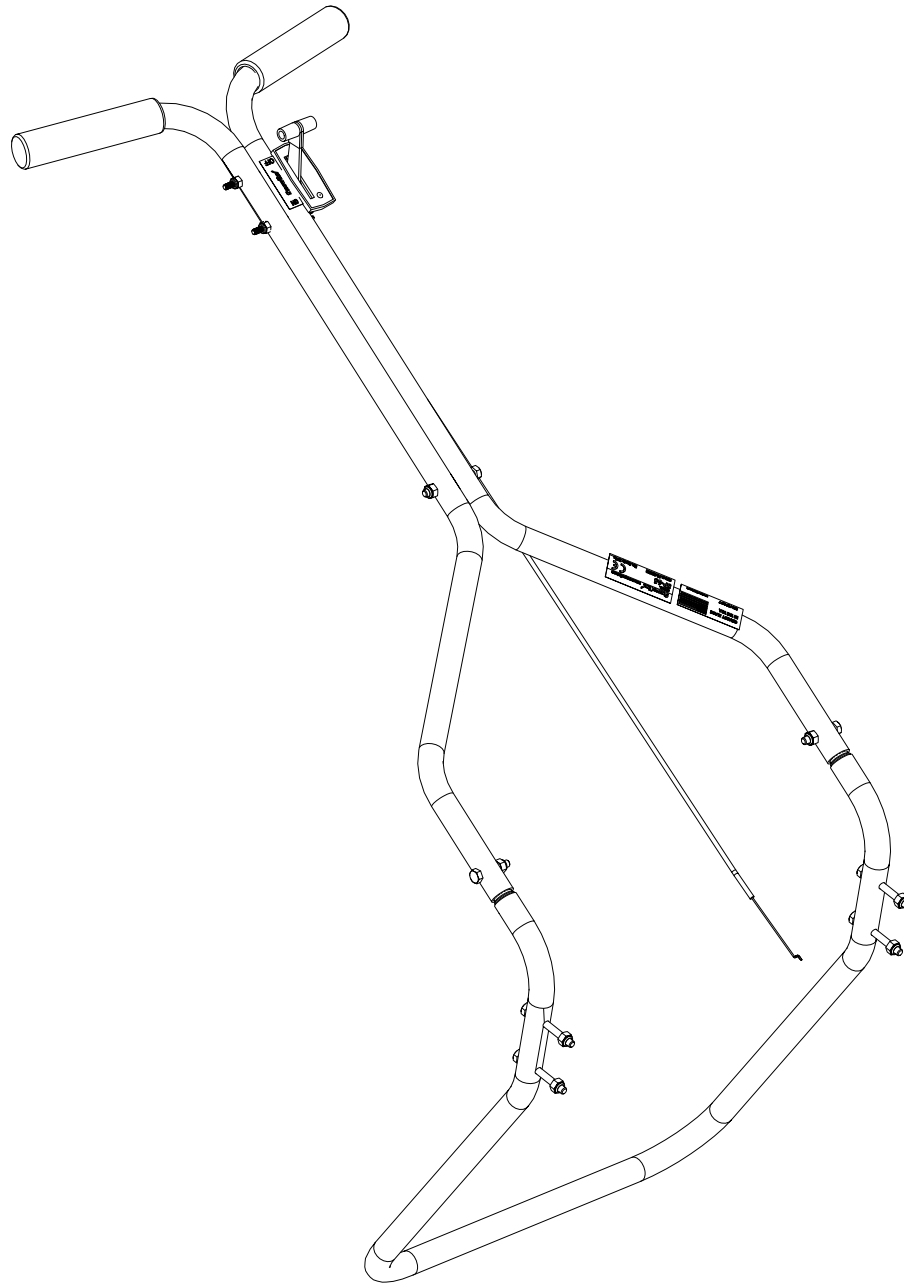
Model # SP-65



# Handle Assembly Parts Breakdown



Model # SP-65



ID #	Part #	Qty
1	D5365	2
2	D5384	1
3	D5389	1
4	D5907	2
5	D5917	2
6	D5943	5
7	D5948	2

ID #	Part #	Qty
8	D5975	1
9	D5976	1
10	D5977	1
11	D5983	1
12	D5990	1
13	T15016	7



**Notes**



A series of horizontal lines providing a space for handwritten notes, starting below the 'Notes' header and extending down the page.





