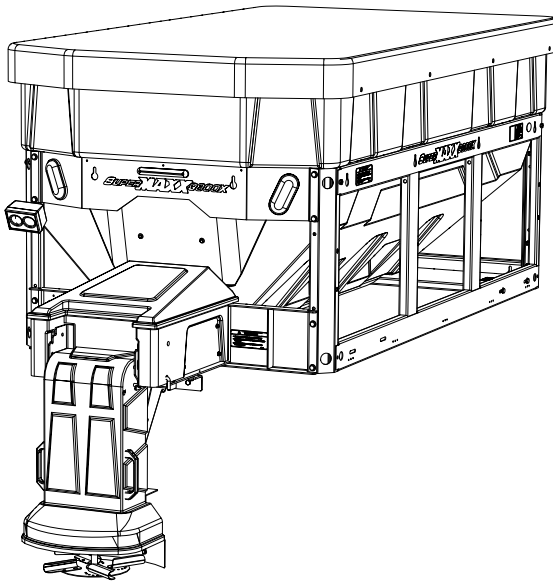


Owner / Operator's Manual

This Manual Must Be Read Before Operating The Equipment

SNOWEX[®]

LEADERS IN ICE CONTROL



SP-9800X

Serial # W2-100000 and higher

TRYNEX[®]
INTERNATIONAL

CUSTOMER COPY

Madison Heights, Michigan 48071
800-725-8377
www.snowexproducts.com

© TrynEx International 2012
(REV B) F50735

Table of Contents



General Information	3
Introduction	4
Safety	5
Warning Decal Positions.....	6-7
Operating the Spreader.....	8-11
Spreader Maintenance	12
Wiring Instructions	13
Control and Harness Diagram	14-19
Mounting Instructions	20-21
Troubleshooting	22-23
Warranty	24
Spreader Views	
Model # SP-9800X.....	25
Frame Assembly Parts Breakdown	
Model # SP-9800X.....	26-27
Auger Drive Assembly Parts Breakdown	
Model # SP-9800X.....	28-29
Hopper Assembly Parts Breakdown	
Model # SP-9800X.....	30-31
Auger Extension Assembly Parts Breakdown	
Model # SP-9800X.....	32-33
Drive Assembly Parts Breakdown	
Model # SP-9800X.....	34-35
Notes	36-37

Have a question or need assistance?

SnowEx Customer Care

(800) 725-8377

or (248) 586-3500

Monday through Friday 8:00 AM to 4:30 PM EST

Fax: (248) 691-8378

E-mail: customercare@trynexfactory.com

Website: www.snowexproducts.com



General Information



CONGRATULATIONS!

The spreader you have purchased is an example of snow and ice control technology at its finest! Your spreader's self-contained design is a trademark of all SnowEx products. Here's why...

SIMPLICITY: Fewer moving parts manufactured of higher quality means minimal maintenance for your SnowEx spreader.

RELIABILITY: High impact linear low density polyethylene hopper. State-of-the-art electronic dual variable speed control, custom engineered powder coated frame, maximum torque 12-volt motor coupled to a custom engineered transmission; found only on SnowEx products.

VERSATILITY: Multi-use capabilities allows spreading of a variety of materials for snow and ice control.

WARRANTY: Best in the industry, hands down! 2 years standard and now 5 year extended (optional).

The benefits you are about to recognize are that of time, money and effort. We welcome you to the world of SnowEx Performance.

Registration

Record the following information in this manual for quick reference.

Spreader Model Number _____

Spreader Serial Number _____

Handheld Control Pendant Serial Number _____ Control Board Serial Number _____

Date of Purchase _____

Dealer Where Purchased _____

When ordering Parts, the above information is necessary. This will help to see that you receive the correct parts.

At the right is a diagram of the ID tag. This tag on the spreader is located on the frame.

Please fill out the warranty card with all the necessary information to validate it. This will also give us a record so that any safety or service information can be communicated to you.



This manual has been designed for your help. It will assist you and instruct you on the proper set-up, installation and use of this spreader.

Refer to the table of contents for an outline of this manual.

We require that you read and understand the contents of this manual completely (especially all safety information) before attempting any procedure contained herein.



THIS SIGN SHOULD ALERT YOU:

The Society of Automotive Engineers has adopted this **SAFETY ALERT SYMBOL** to pinpoint characteristics that, if **NOT** carefully followed, can create a safety hazard. When you see this symbol in this manual or on the machine itself, **BE ALERT!** Your personal safety and the safety of others is involved.

Defined below are the **SAFETY ALERT** messages and how they will appear in this manual:



DANGER

(RED)

Information that, if not carefully followed, can cause death!



WARNING

(ORANGE)

Information that, if not carefully followed, can cause serious personal injury or death!



CAUTION

(YELLOW)

Information that, if not carefully followed, can cause minor injury or damage to equipment



Before attempting any procedure in this book, these safety instructions must be read and understood by all workers who have any part in the preparation or use of this equipment.

For your safety warning and information decals have been placed on this product to remind the operator of safety precautions . If anything happens to mark or destroy the decals, please request new ones from SnowEx.



Never exceed the Gross Vehicle Weight Rating of vehicle. Failure to do so may limit a vehicles handling characteristics.

Never attempt to take a unit off a truck with material in it.



Always keep hands, feet, and clothing away from power driven parts.

Unit must be pinned and locked into position before operating vehicle.

Always shut off vehicle and power source before attempting to attach or detach or service unit Be sure vehicle/power source is properly braked or chocked.

Remember, most accidents are preventable and caused by human error. Exercising of care and precautions must be observed to prevent the possibility of injury to operator or others!

Never operate equipment when under the influence of alcohol, drugs, or medications that might alter your judgment and/or reaction time.

Before working with the spreader, secure all loose fitting clothing and unrestrained hair.

Always wear safety glasses with side shields when servicing spreader. Failure to do this could result in serious injury to the eyes.

Never allow children to operate or climb on equipment.

Always check areas to be spread to be sure no hazardous conditions or substances are in the area.

Always inspect unit for defects: broken, worn or bent parts, weakened areas on spreader.

Remember it is the owner's responsibility to communicate information on safe usage and proper maintenance of all equipment.

Always make sure personnel are clear of areas of danger when using equipment.

Never weld or grind on equipment without having a fire extinguisher available.

Inspect the unit periodically for defects. Parts that are broken, missing or worn out must be replaced immediately. The unit or any part of it can not be altered without prior written permission from the manufacturer.

Always inspect pins and latches whenever attaching or detaching spreader, and before operation of spreader.

Never exceed 45 m.p.h. when loaded spreader is attached to vehicle. Braking distances may be increased and handling characteristics may be impaired at speeds above 45 m.p.h.



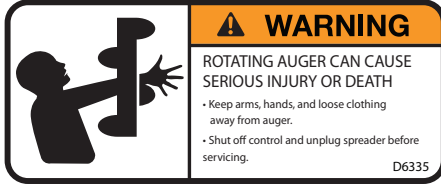
Never use wet materials or materials with foreign debris with any of these spreaders. These units are designed to handle dry, clean, free flowing material.

Never leave material in hopper for long periods of time. Be aware that all ice melters are hygroscopic and will attract atmospheric moisture and harden up.

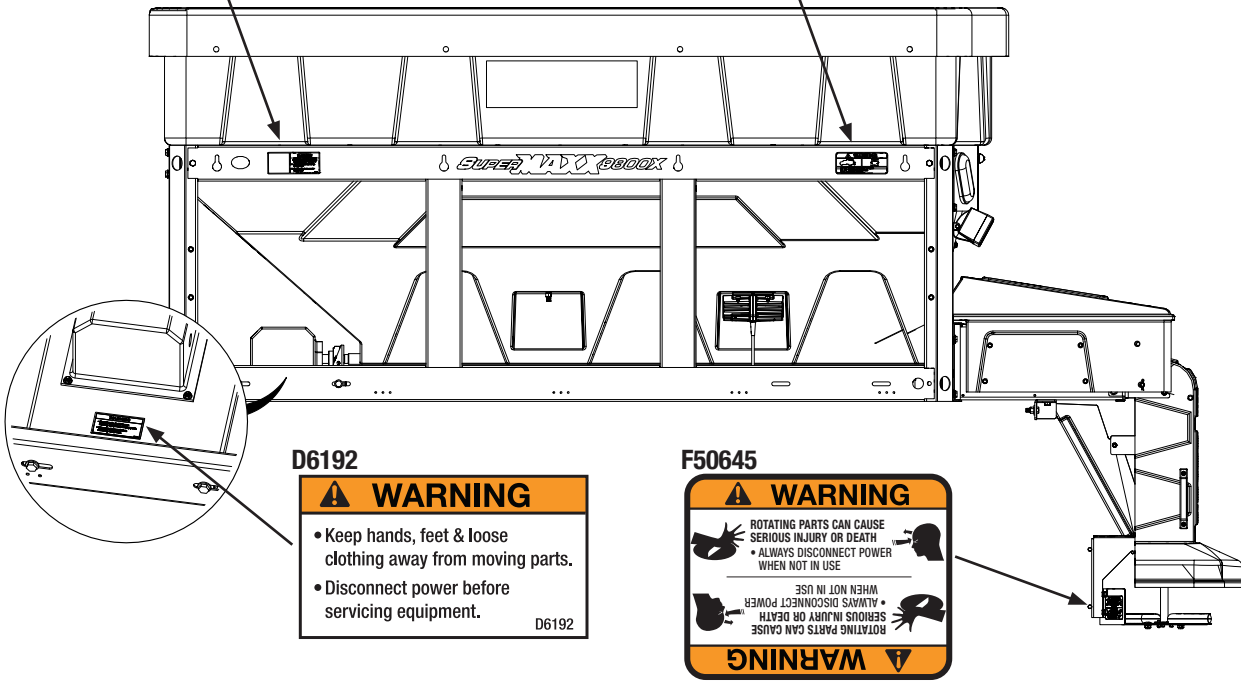
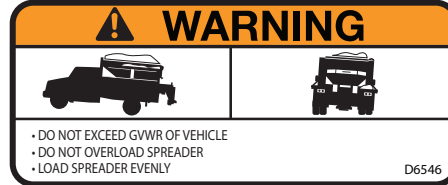
Warning Decal Positions

Model # SP-9800X

D6335



D6546



D6192



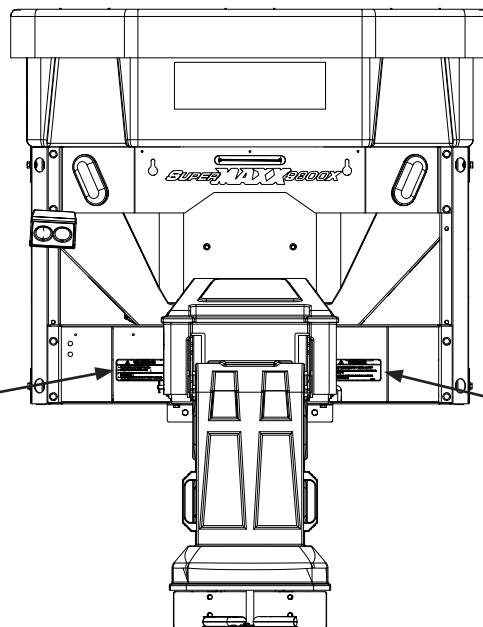
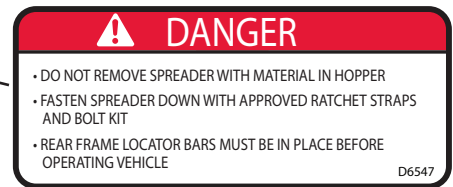
F50645



D6548

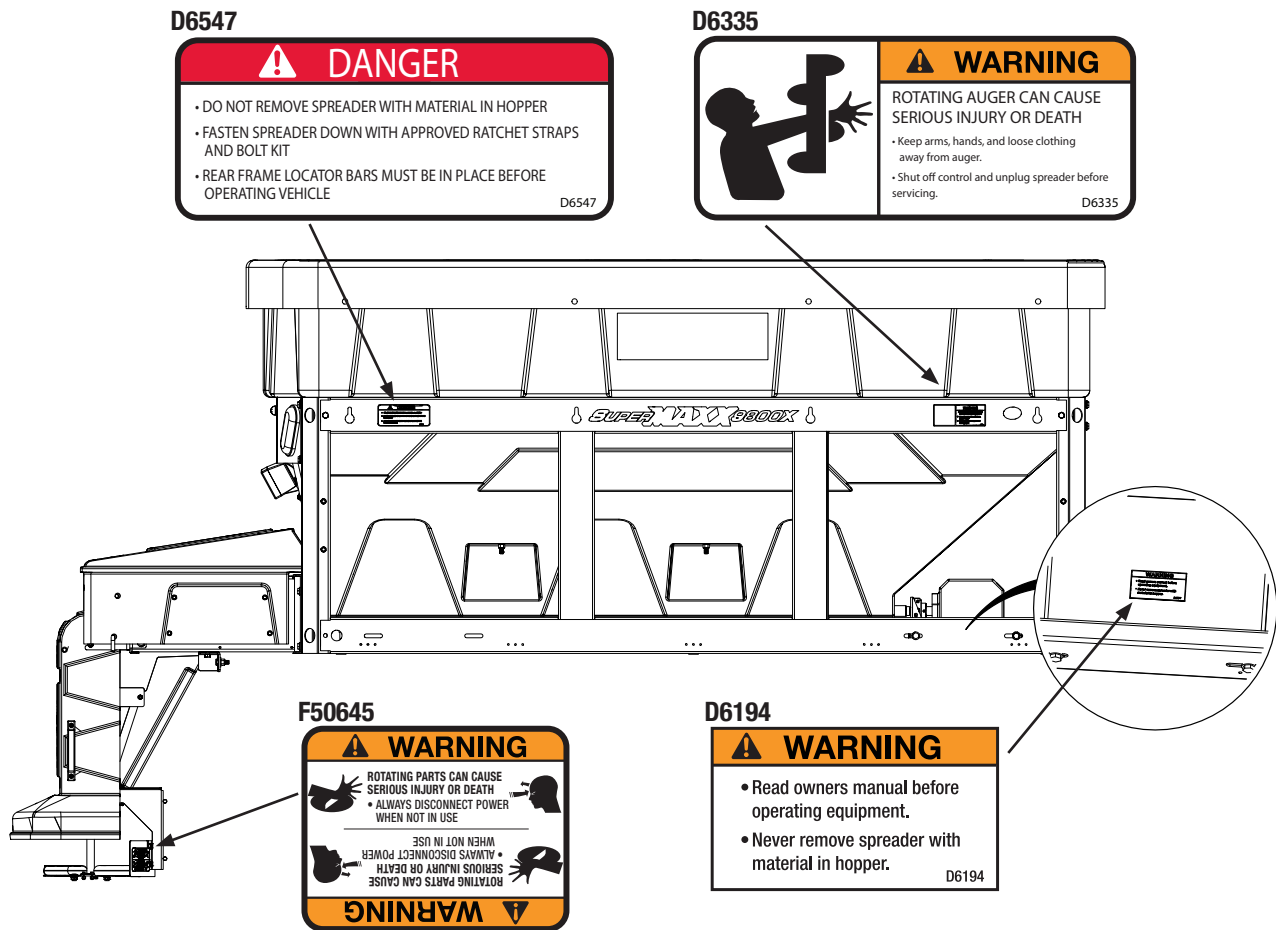


D6547



Warning Decal Positions

Model # SP-9800X



Operating the Spreader

Model # SP-9800X

Spreader Operation

1. Push On/Off button.
2. Press the Start/Stop button. Auger and Spinner will begin to turn, spreading material.
3. Use dials in center of Control Pendant to adjust Material Distribution Shaft speed. This will change the spread rate at constant vehicle speed.
4. Press Start/Stop to stop spreading.
5. Turn off Spreader by pushing the On/Off button.

Spreader Loading

WARNING: Do not overload vehicle.

Use chart below to calculate weight of material. Weights of material are an average for dry materials.

Material	Weight Per Cubic Ft.
Rock Salt	80-90 lbs.
Sand/Salt Mix	95-120 lbs.

WARNING: Never leave material in hopper for long periods of time as salt is hygroscopic and will attract atmospheric moisture and harden up.

When spreading sand mix, a 1:1 ratio for Sand/Salt mix is recommended to prevent the material from freezing.

Spreading Tips

For a heavier pass:

- Decrease vehicle speed
- Increase Auger speed

For a lighter pass:

- Increase vehicle speed
- Decrease Auger speed

For a wider pass:

- Increase spinner speed

Spread ice melters with the storm to prevent unmanageable levels of ice.

Never exceed 10 miles per hour when spreading.

Calculate spread pattern when near vegetation and other vehicles.

Never operate spreader near pedestrians.

Operating the Spreader

Model # SP-9800X

Warning Protection

If audible beeping occurs, read display to identify problem. If display reads “OL” (overload) or “OH” (overheat), shut the controller down and carefully clear jammed auger. If display reads “E1” this means there is a dead short in the system. Do not use until problem is corrected. If the display reads “E0” this means the motor is not getting any power. Check all connections. If the display reads “LB” the vehicle battery is extremely low (possibly caused by a poor or corroded connection) and could damage the system.

If there are any problems while operating the spreader, refer to Troubleshooting Guide.

Auto Reverse

If your controller displays “OL” this could indicate a jammed auger.

To engage the Auto-Reverse “AR” Function:

Step 1: Shut the Main Power Switch OFF for 3 seconds.

Step 2: Turn the Main Power Switch ON. When the machine starts back up, the “AR” sequence will automatically start and the auger will reverse for several rotations to clear the jam.

After a pause of several moments, the auger will automatically return to correct rotation. If the jam is still not cleared, the controller will again display “OL.”

You may repeat Steps 1 and 2 for a second and third time.

If after the third try the controller displays “OL,” you must extract the material that is causing the problem.

Follow all warning directions when clearing jams.

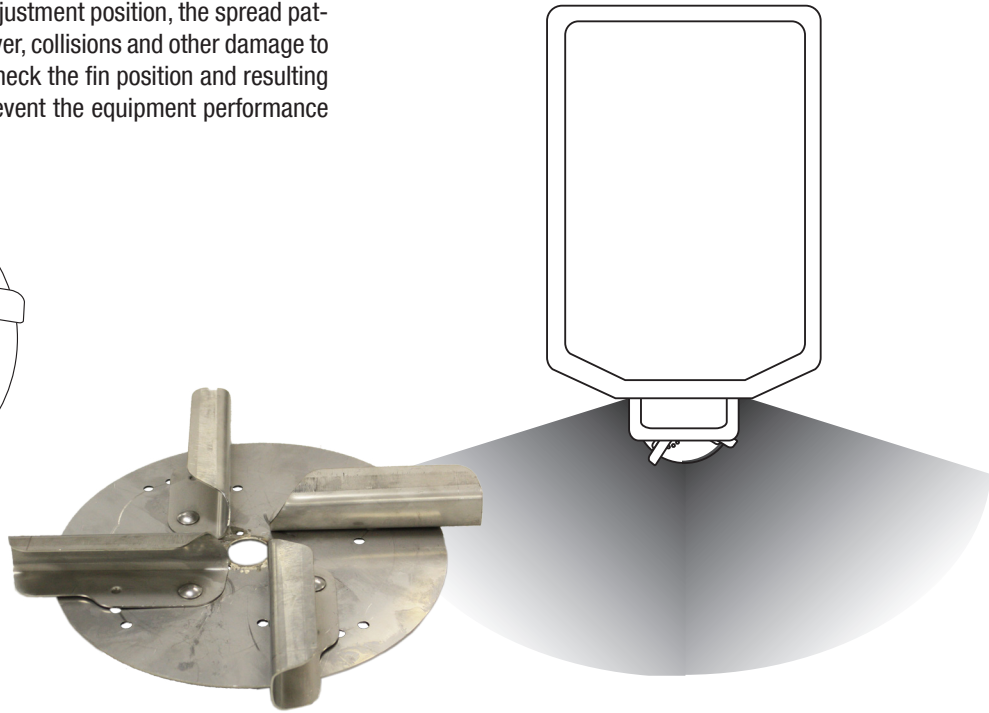
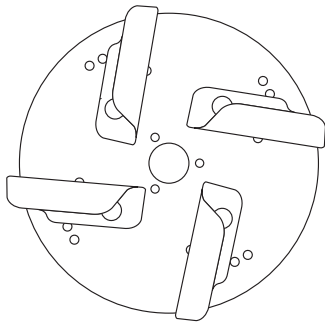
Operating the Spreader

Model # SP-9800X

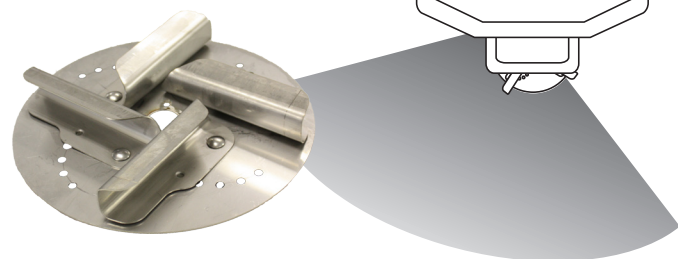
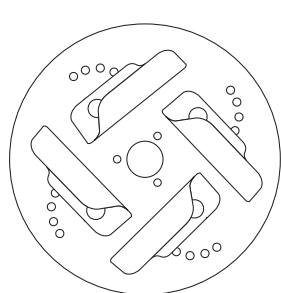
ADJUSTABLE SPINNER INSTRUCTIONS

Your spreader is equipped with an adjustable spinner to assist you in more precise material application. The Spinner plate gives the operator control of whether the material spreads to the right, left or is centered. All of the fins should be in the same position; this will keep the spread pattern consistent and have even ground coverage. Before operating the spreader, spread some material in a clear area where you can easily observe the spread pattern and how it changes. Adjust according to the instructions below to get the pattern you desire.

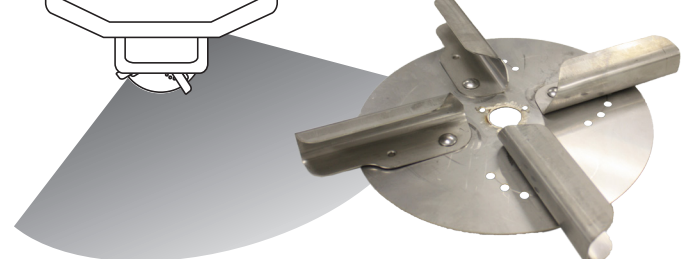
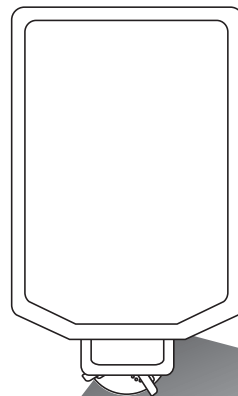
When the fins are in their center adjustment position, the spread pattern will be mostly centered. However, collisions and other damage to the equipment may change this. Check the fin position and resulting spread pattern often enough to prevent the equipment performance from being adversely affected.



When looking down at the spinner, moving the fins clockwise will adjust the spread pattern toward the left side of the spreader.



When looking down at the spinner, moving the fins counter-clockwise will adjust the spread pattern toward the right side of the spreader.

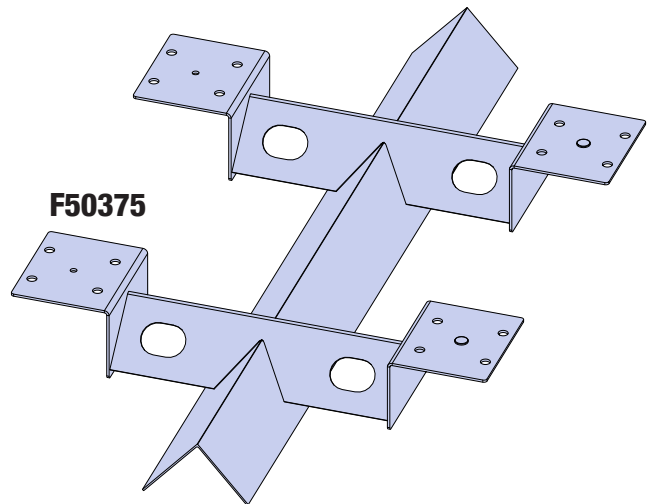


Operating Spreader

Model # SP-9800X

INVERTED-V INSTRUCTIONS

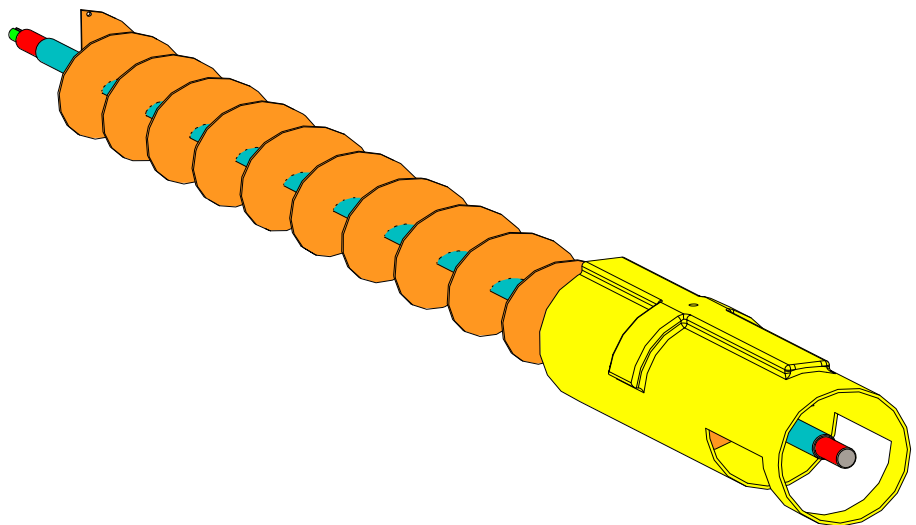
- The Super-Maxx 9800 uses an inverted-v design over the auger area. This inverted-v (F50375) is used to reduce load to the auger drive train. It must not be removed unless servicing the unit.
- **WARNING:** Always disconnect power source before attempting to remove material baffle.



AUGER DISCHARGE TUBE INSTRUCTIONS

- The Super-Maxx Spreaders use an auger discharge tube to reduce material leakage. It must not be removed unless servicing the unit.
- **WARNING:** Always disconnect power source before attempting to remove auger discharge tube.

Auger Discharge Tube



Spreader Maintenance

Model # SP-9800X

General Maintenance

Use dielectric grease on all electrical connections to prevent corrosion at the beginning and end of the season and each time power plugs are disconnected.

Wash unit after each use to prevent material build-up and corrosion.

Paint or oil all bare metal surfaces at the end of the season.

Apply small amount of light oil to latches as needed.

After first use, tighten all nuts and bolts on spreader and mount.

Grease bearings after every 20 hour's use.

Store control in cool dry place during the off season.

Warning

When servicing is necessary, perform it in a protected area Do not use power tools in rain or snow because of danger of electrical shock or injury. Keep area well lighted. Use proper tools. Keep the area of service clean to help avoid accidents.

Never remove spreader with material in hopper.

Disconnect electricity to spreader before servicing.

Caution

Vibrator is not designed for continuous duty. Allow motor to cool between long cycle times.

Do not modify vehicle or spreader wiring harness. Doing so will void product warranty.

When replacing parts use only original manufacturer's parts. Failure to do so will void warranty.

The controller is a solid state electronic unit and is not serviceable. Any attempt to service will void warranty.

There are no serviceable parts in the motor/transmission assembly. Any attempt to service will void warranty.

Spinner motor is not designed for continuous duty. Allow motor to cool between long cycle times.

When pressure washing motor enclosure area, stay at least 36" away from motor enclosures.

Wiring Instructions

Model # SP-9800X

1. Mount rear plug bracket on back of vehicle using supplied bolts. Locate toward center of bumper as it will reduce the amount of tire-thrown debris that gets onto the plug.
2. Mount harness plug to rear plug bracket that was just installed. Apply a small amount of dielectric grease to plug.
3. Route wires from back to front using ty-wraps or clamps (not supplied). Do not secure to brake lines, fuel lines, or near exhaust, engine or moving parts. Use the heavy-duty ty-wraps along frame and the lighter duty ty-wraps everywhere else.
4. Drill a 7/8" hole in the firewall near steering column. Be sure to check for wires in the way (both sides of firewall) before drilling the hole. Run a communication wire into cab. Zip-tie wire under dash so it does not get in the way of brake or accelerator pedal. Leave enough of the communication wire outside of the dash so operator can hold control pendant in hand.
5. Route power wires over to battery. Install circuit breaker and connect to battery.
Remember: Red (+) to positive. Black (-) to negative.

Control Diagram

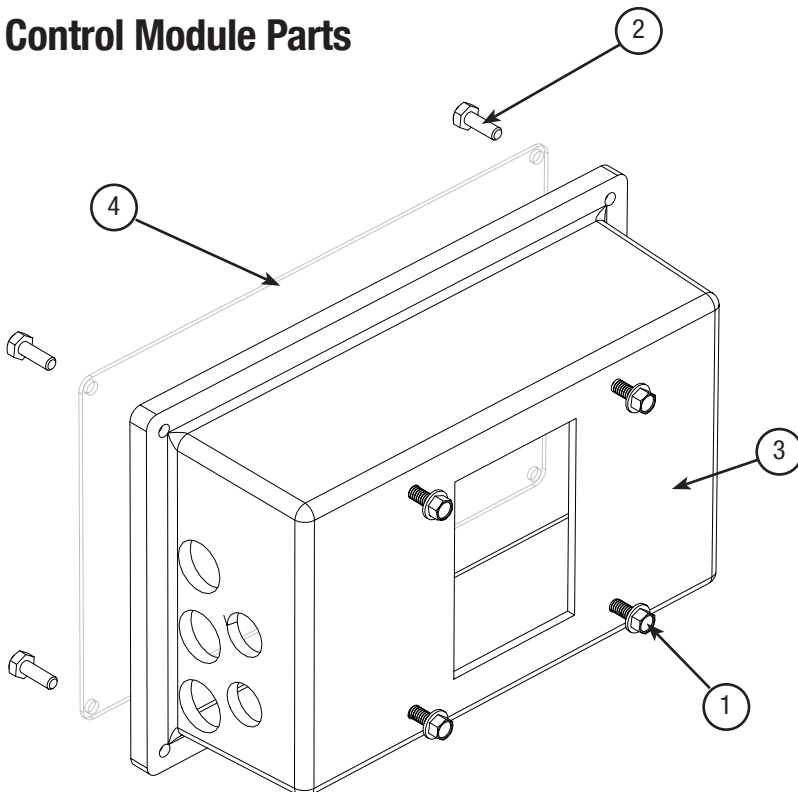
Model # SP-9800X

F50543 Control Pendant



IMPORTANT: In the off season remove control and put in a cool dry place. The interior summer temperatures could damage circuit board and void warranty.

Control Module Parts

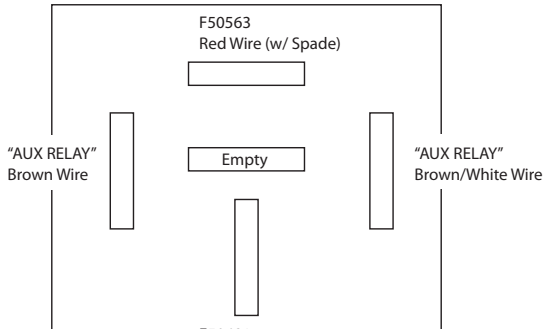


Key	Part No.	Description	Qty.
1	D6133	Bolt 5/16"-18 X 1/2" Hex	4
2	D6553	Screw #10 X 3/4"	4
3	F50488	Power Module Box	1
4	F50489	Power Module Box Cover	1

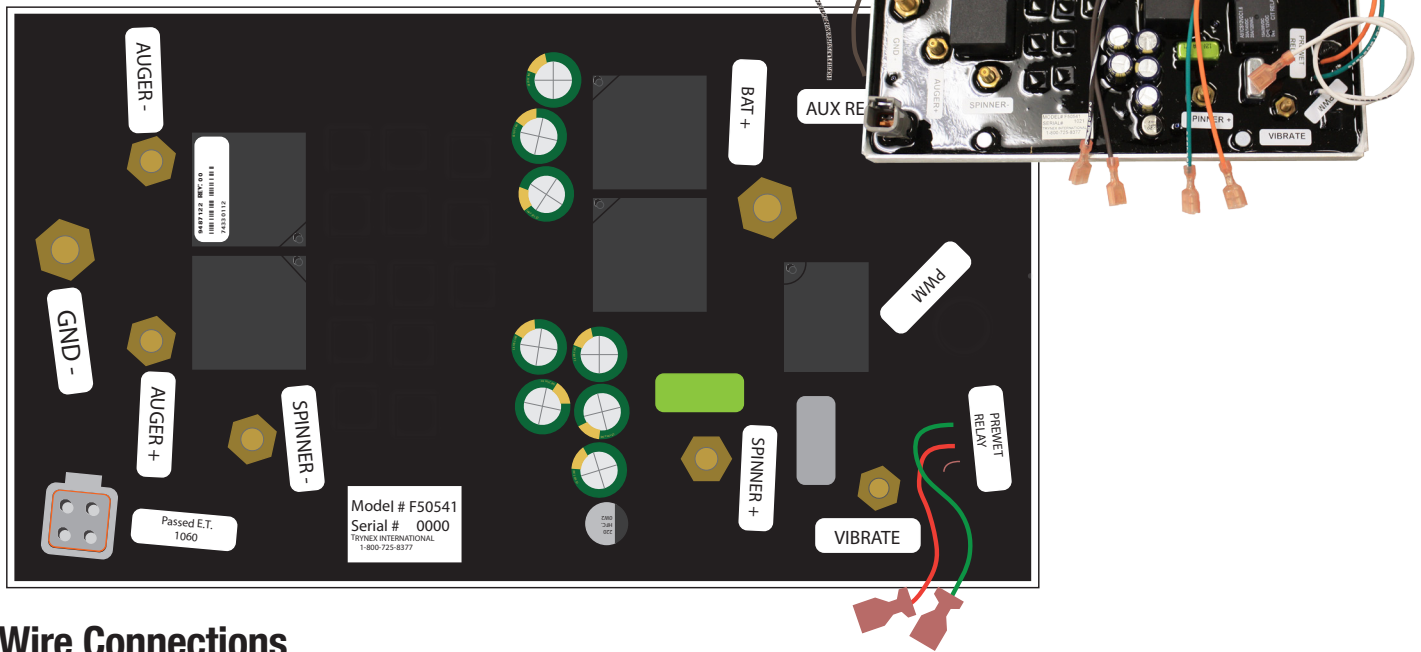
Control Diagram

Model # SP-9800X

D6083 30 AMP Relay



F50541 Spreader Control



Wire Connections

Small Gray Plug: Plugged with Sealed Blank Connector

GND -: Light Harness Black Wire; Spreader Harness Black Wire; Vibrator Harness Black Wire.

Auger +: Auger Harness White Wire.

Auger -: Auger Harness Black Wire.

Spinner -: Spinner Harness Black Wire.

Spinner +: Spinner Harness Red Wire.

Vibrate: Vibrator Harness Red Wire.

Bat +: Relay Wire (Red); Spreader Harness Red Wire

Large Gray Plug: Pendant Harness Gray Connector.

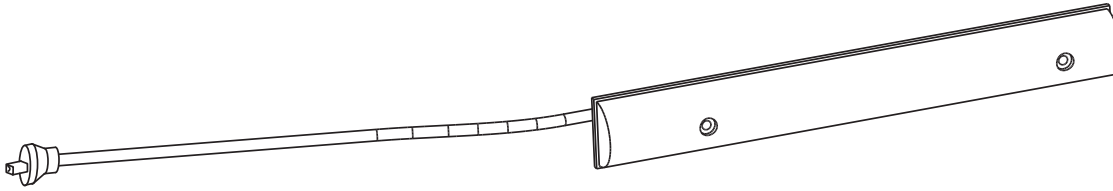
Relay: see diagram above.

Other: Pendant Harness Red Wire Connected to Light Harness Red Wire with Round Butt Connector.

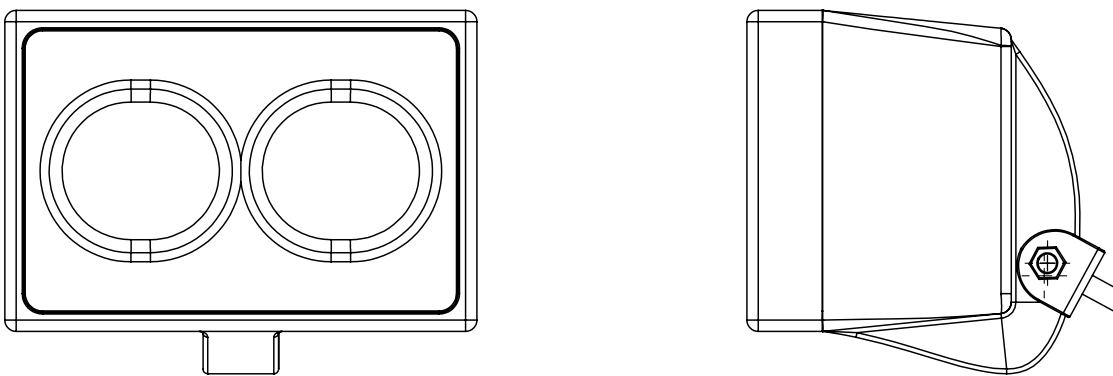
Harness Diagram

Model # SP-9800X

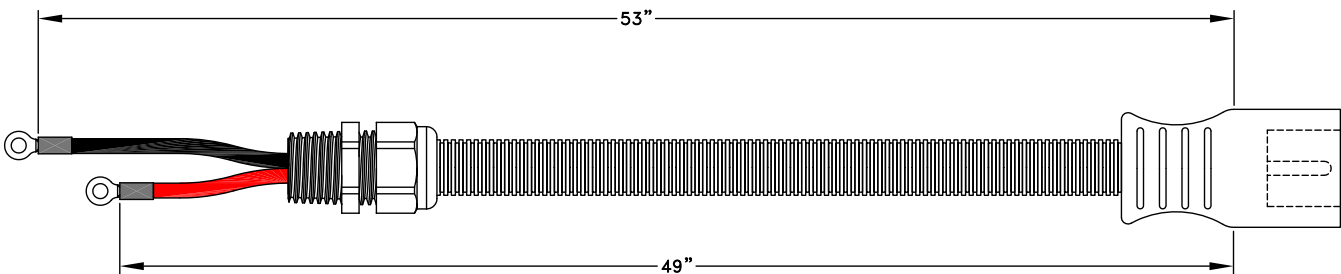
D6514 Center High Mount Stop Lamp



F50562 Rectangle Work Light



F50408 Spreader Harness

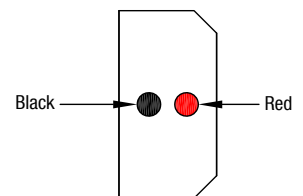


IMPORTANT: Do Not modify harness length. Any modifications will void warranty.

Special Notes:

- 1) All external connections must have dielectric grease.
- 2) Read lead labels before attaching to power source or ground.
- 3) No other devices may be spliced into wiring harness.
- 4) Any repairs to wiring harness must be done with heat shrink butt connectors.

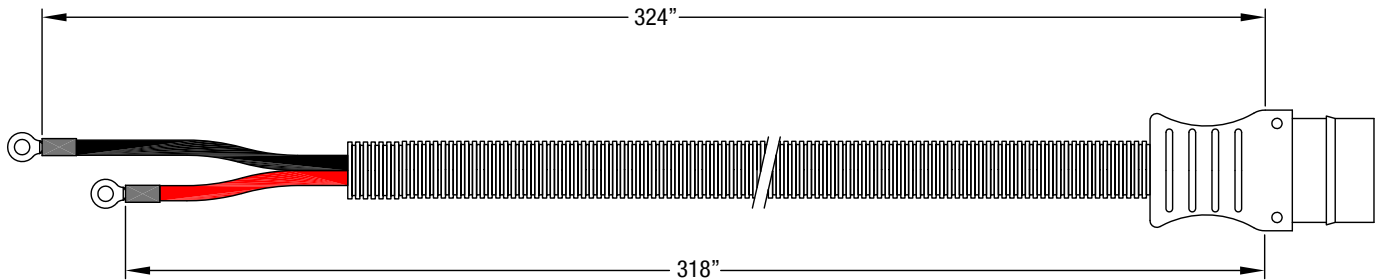
Load View



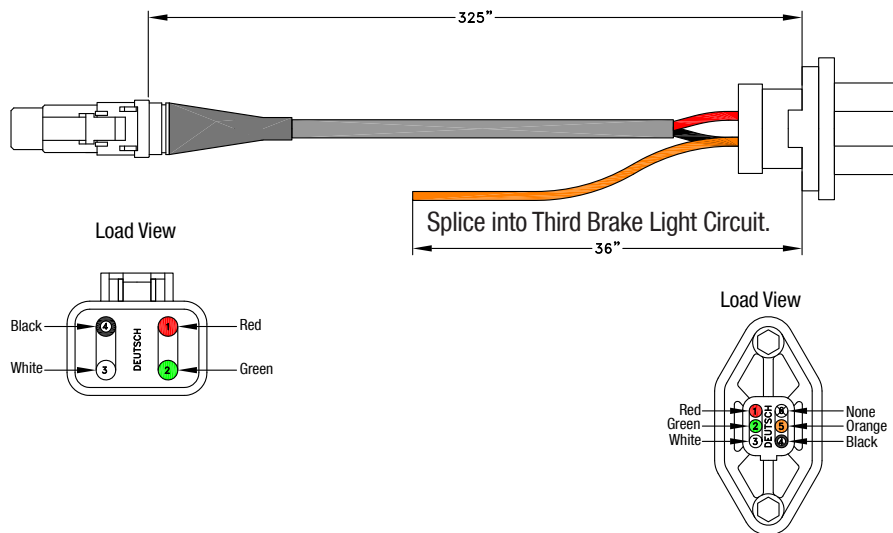
Harness Diagram

Model # SP-9800X

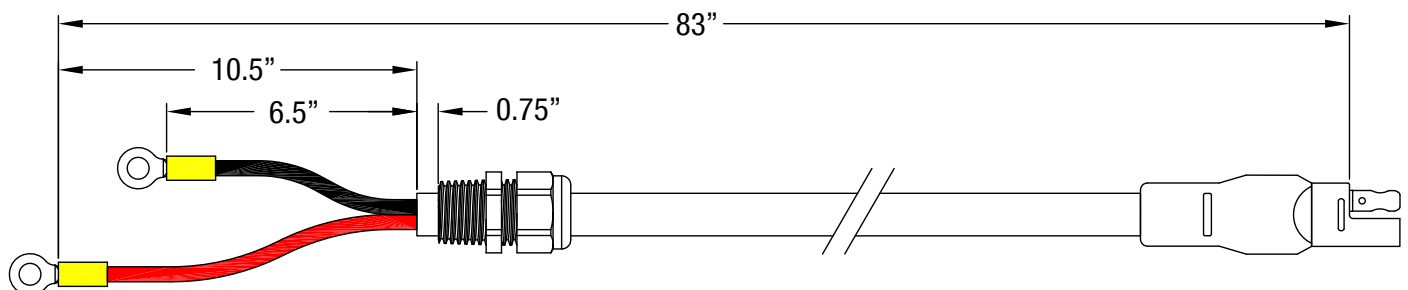
F50409 Vehicle Harness



F50534 Data Cable



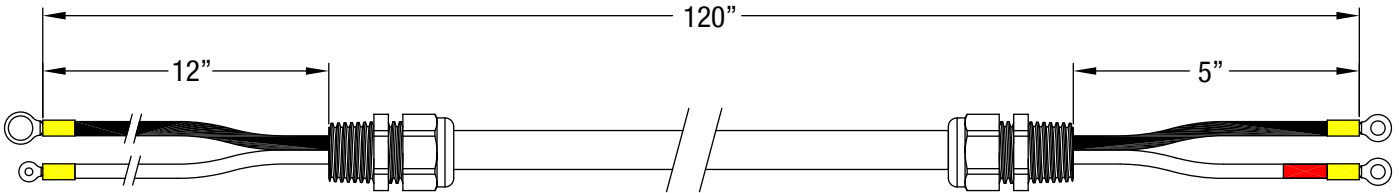
F50535 Vibrator Harness



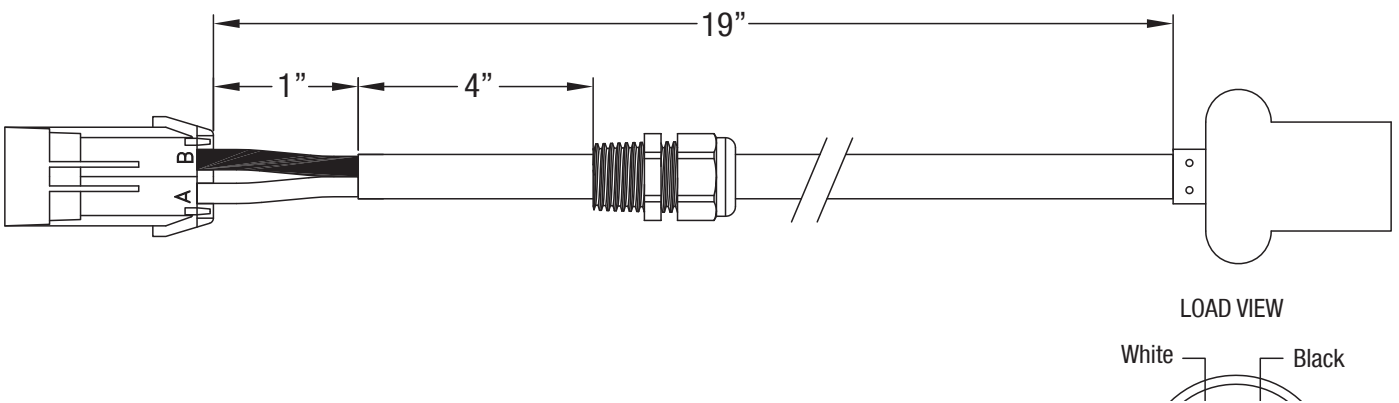
Harness Diagram

Model # SP-9800X

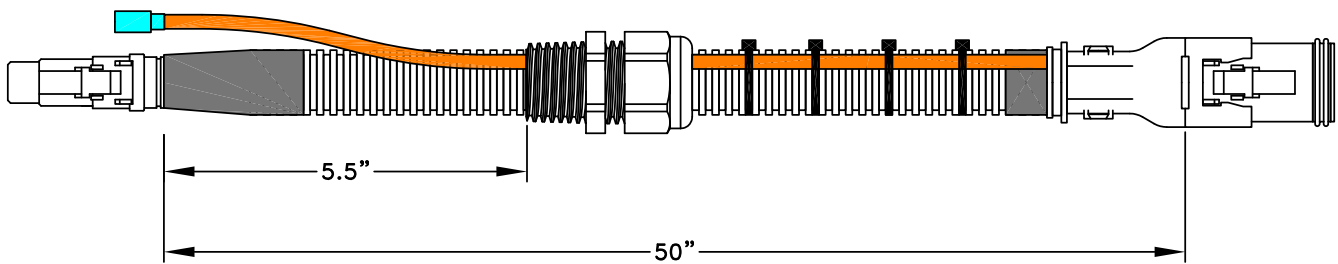
F50536 Auger Motor Harness



F50537 Spinner Motor Harness



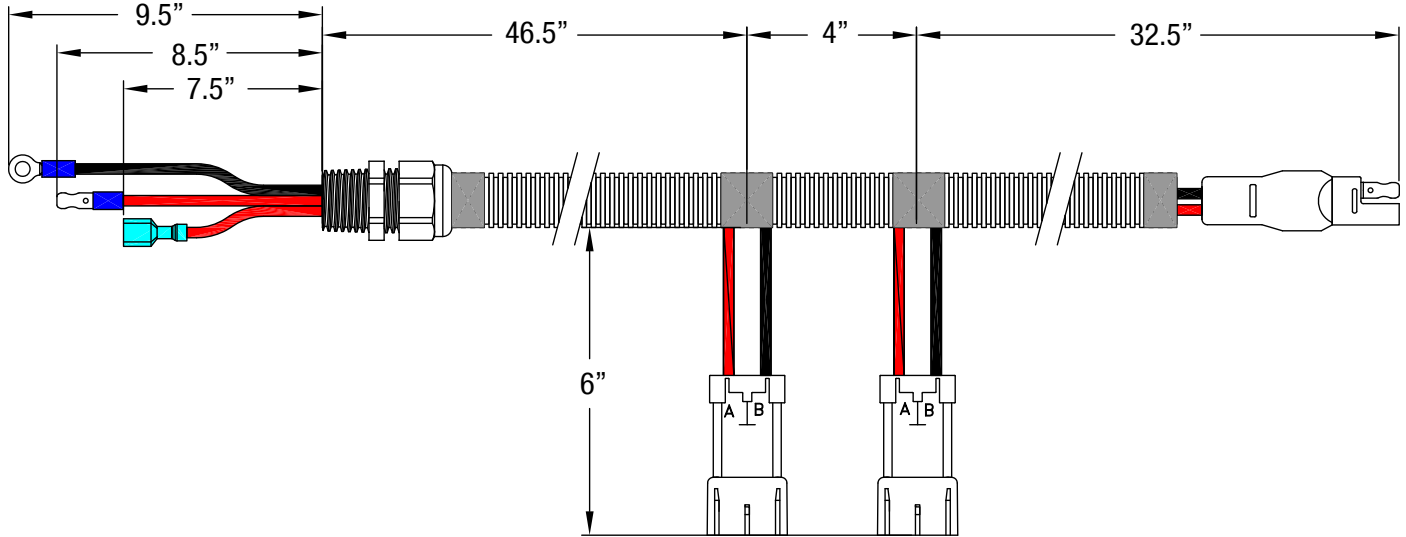
F50540 Data Cable



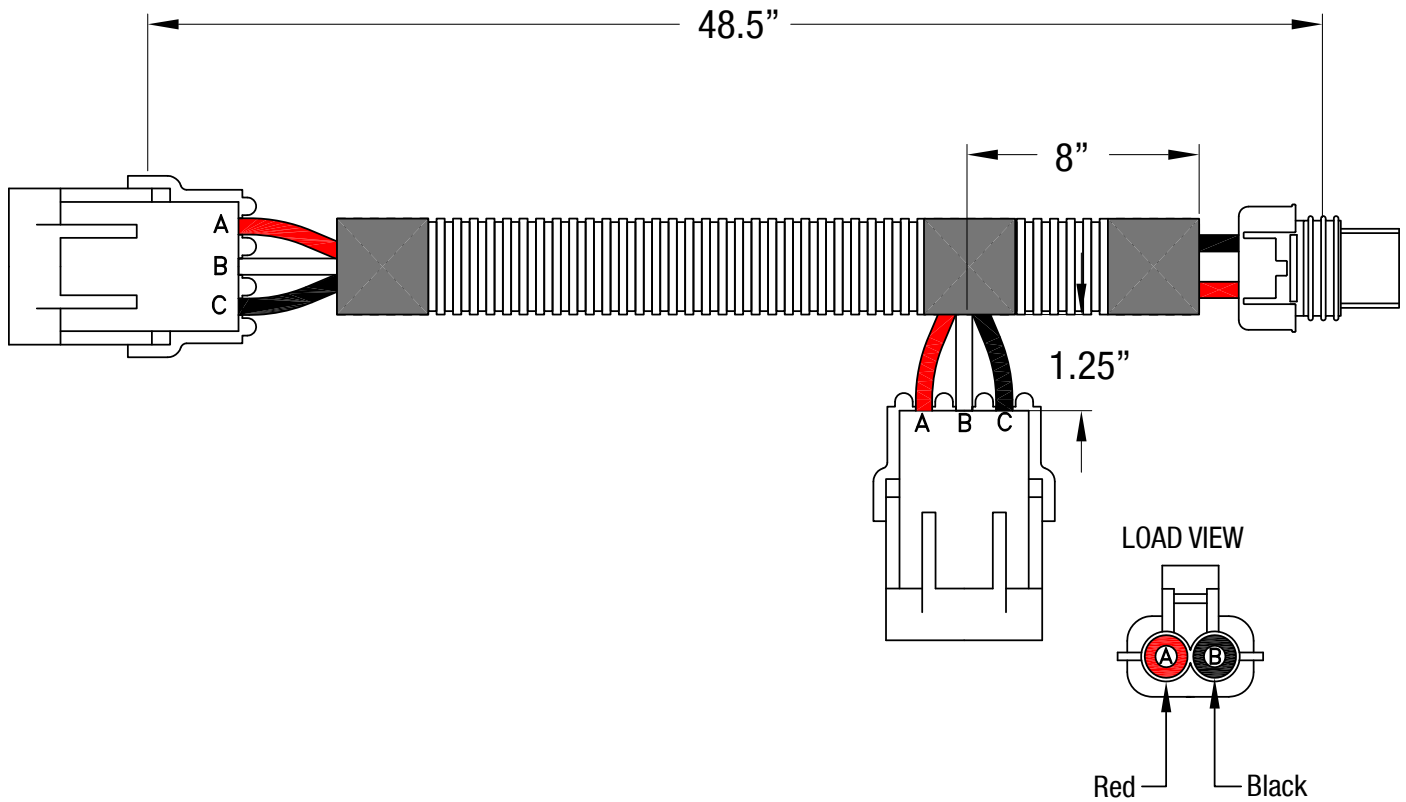
Harness Diagram

Model # SP-9800X

F50563 Light Harness

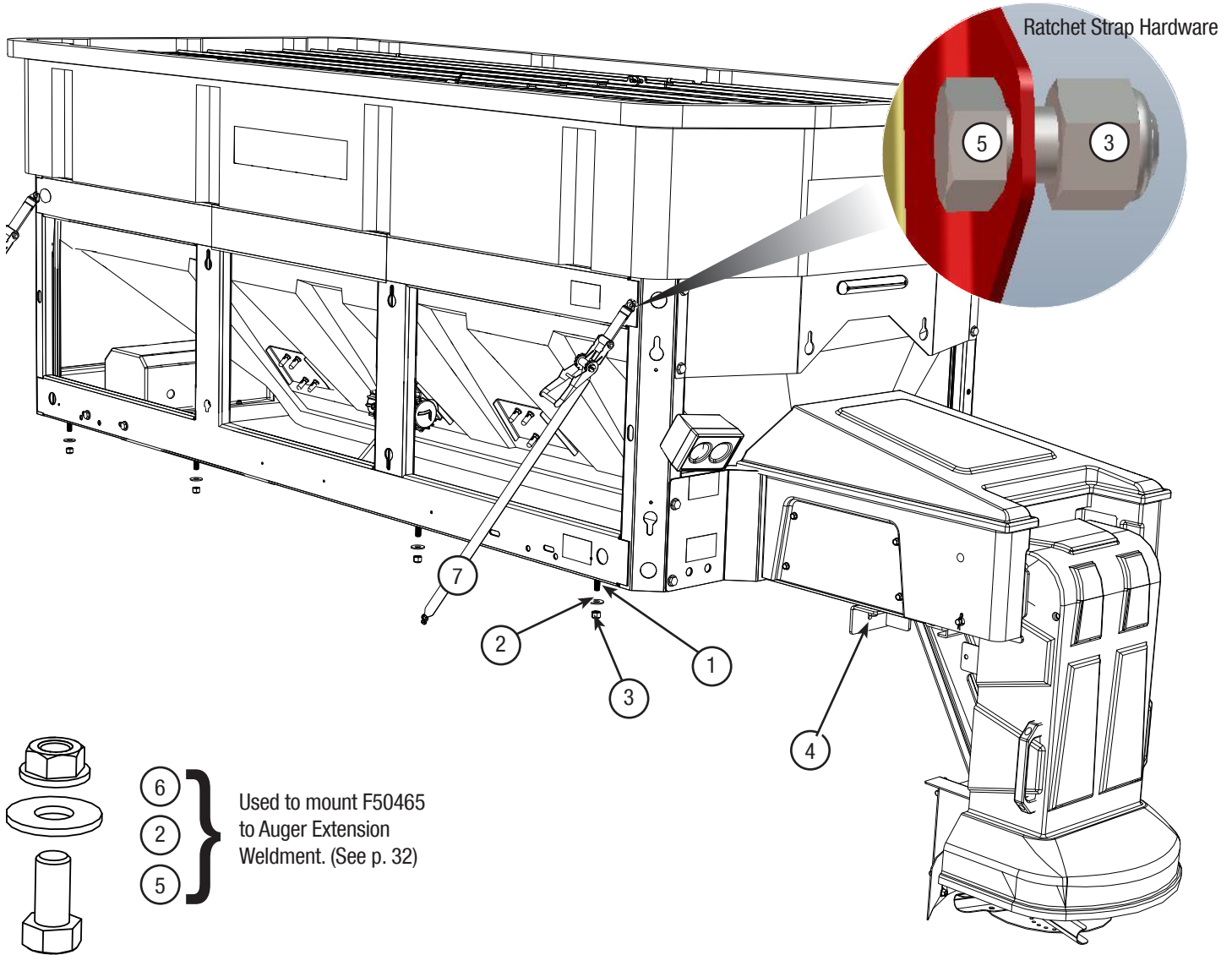


F50564 Strobe Light Harness



Mounting System Diagrams

Model # SP-9800X



Key	Part No.	Description	Qty.
1	D4116	Bolt 1/2"-13 X 1-1/2"	10
2	D4119	Washer 1/2" Flat	10
3	D4120	Nut 1/2"-13 Nylox	14
4	F50465	Rear Stop Bracket	1
5	D4115	Bolt 1/2"-13 X 1"	6
6	D5535	Nut 1/2"-13 Serrated Flange	2
7	F50600	X-Series Ratchet Straps (4PK)	1

DANGER

Rear stop bar, ratchet straps and mount kit must always be in place. All mounting systems work together; none of them should be used exclusive of the other methods. Do not remove unless servicing spreader or removing the spreader from vehicle. Check straps and hardware before each use, making sure spreader is completely stable.

Mounting Instructions

Model # SP-9800X

Step 1: If using pickup/dump body, remove tailgate. If using platform body, remove rear stake sides.

Step 2: Load spreader onto truck bed.

Step 3: Install Rear Stop Bracket (F50465) onto Auger Extension Weldment (see diagram p. 20) using provided hardware [D4119 x2; D4115 x2; D5535 x2]

Step 4: Slide spreader forward until Stop Bracket touches the rear of the truck body.

Step 5: Slide spreader left or right keeping the spreader in the same front-to-back alignment until centered side-to-side. Use a tape measure for greatest accuracy. The spreader must be centered for the safety of the vehicle, its driver and those nearby.

Step 6: You will notice there are four holes in the bottom rail of each sideframe. These holes are on the bottom of the rail and will be used to mount the spreader to the truck body. There are also two holes in the rear stop bracket. Mark all these hole locations using a paint pen or similar device.

Step 7: Look underneath the truck body, checking that there are no vehicle components that will be in the path of the drill. If there are interferences, the holes can be relocated in the frame. Make sure there are 2 holes in each sideframe forward and rearward the front-back centerline.

Step 8: Drill the holes in the marked positions using a 9/16 inch drill bit. (You may need to slide the spreader four to eight inches to either side in order to drill the holes without climbing underneath the truck.) Wear eye protection when drilling.

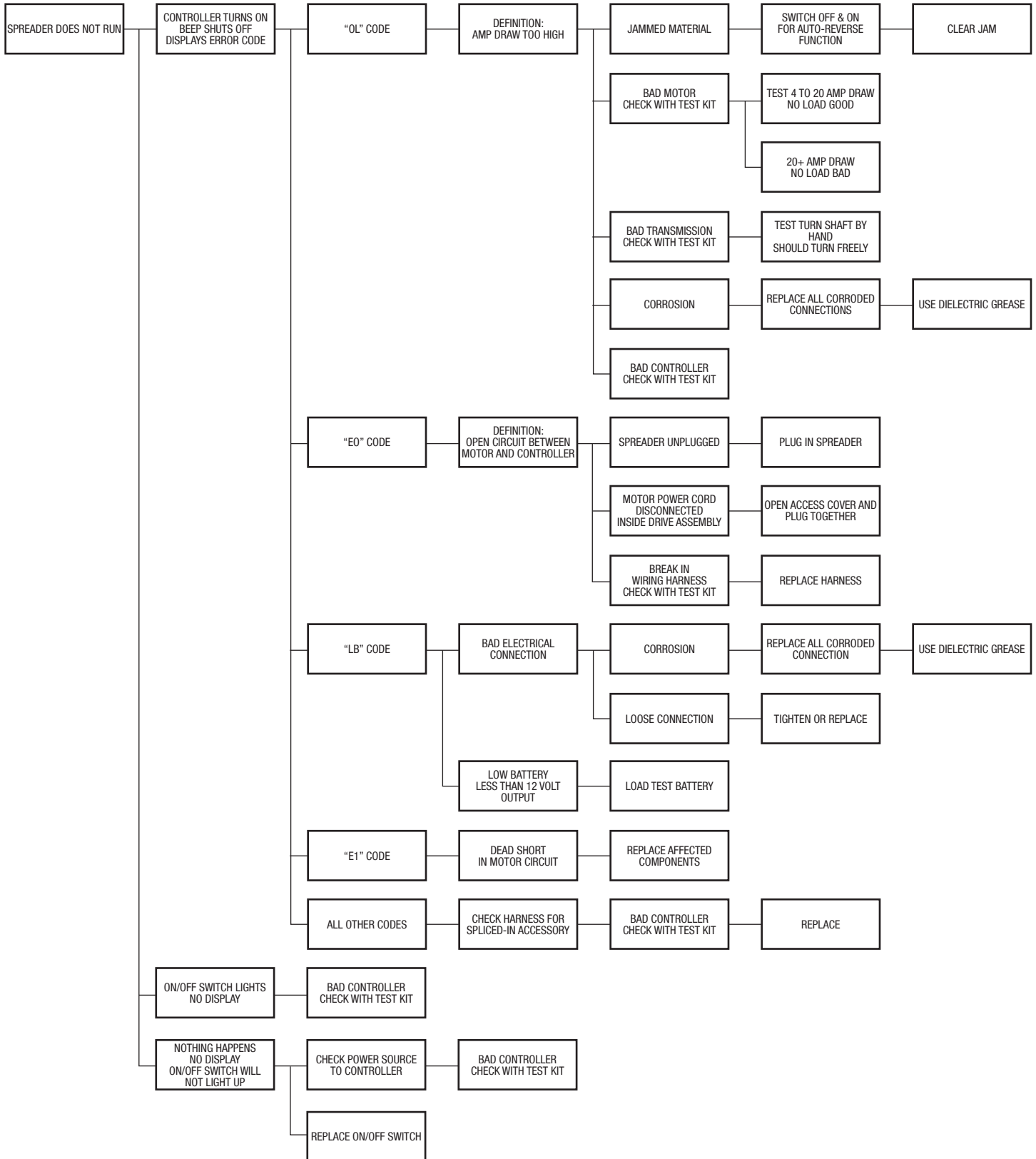
Step 9: Slide the spreader back into position over top of the holes just drilled. Install Bolt through spreader frame and truck body with Washer and Nut below. Tighten all fasteners.

Step 10: Attach Ratchet Straps (F50600) using provided hardware as in diagram inset on page 20. Tighten the fasteners. Hook Ratchet Strap's other end to truck body. Tighten the Straps.

Troubleshooting

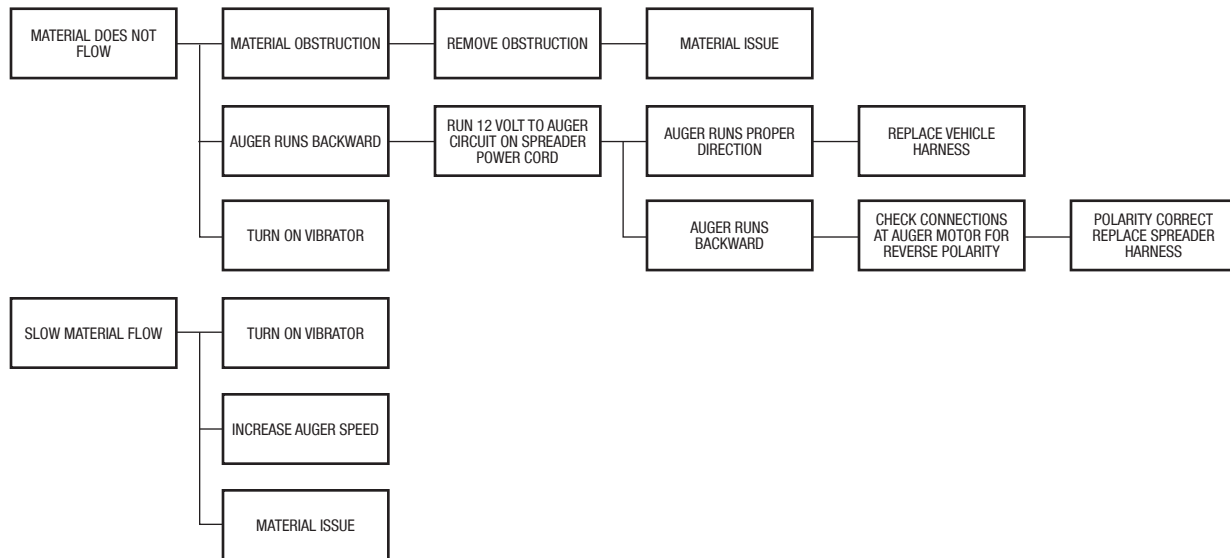


Model # SP-9800X



Troubleshooting Material Flow

Model # SP-9800X



Snowex Diagnostic Test Kit (STK-090) is Available To Accurately Diagnose Any Issues With Snowex Spreaders. Call Your Dealer For Details.

Limited Warranty

Snowex products are warranted for a period of two years from the date of purchase against defects in material or workmanship under normal use and service, subject to limitations detailed below. Warranty period of two years begins on the date of purchase by the original retail user.

The WARRANTY REGISTRATION CARD must be returned to the manufacturer for this warranty to become effective. This warranty applies to the original retail purchaser only. This warranty does not cover damages caused by improper installation, misuse, lack of proper maintenance, alterations or repairs made by anyone other than authorized Snowex dealers or Snowex personnel. Due to the corrosive properties of the materials dispensed by spreaders, Trynex does not warrant against damage caused by corrosion. Warranty claims by the user must be made to the dealer from where the product was purchased, unless otherwise authorized by Snowex. Snowex reserves the right to determine if any part is defective and to repair or replace such parts as it elects. This warranty does not cover shipping costs of defective parts to or from the dealer.

LIMITATION OF LIABILITY

Neither Snowex, nor any company affiliated with it, makes any warranties, representations for promise as to the performance or quality other than what is herein contained. The liability of Snowex to the purchaser for damages arising out of the manufacture, sale, delivery, use or resale of this spreader shall be limited to and shall not exceed the costs of repair or replacement of defective parts. Snowex shall not be liable for loss of use, inconvenience or any other incidental, indirect or consequential damages, so the above limitations on incidental or consequential damages may not apply to you.

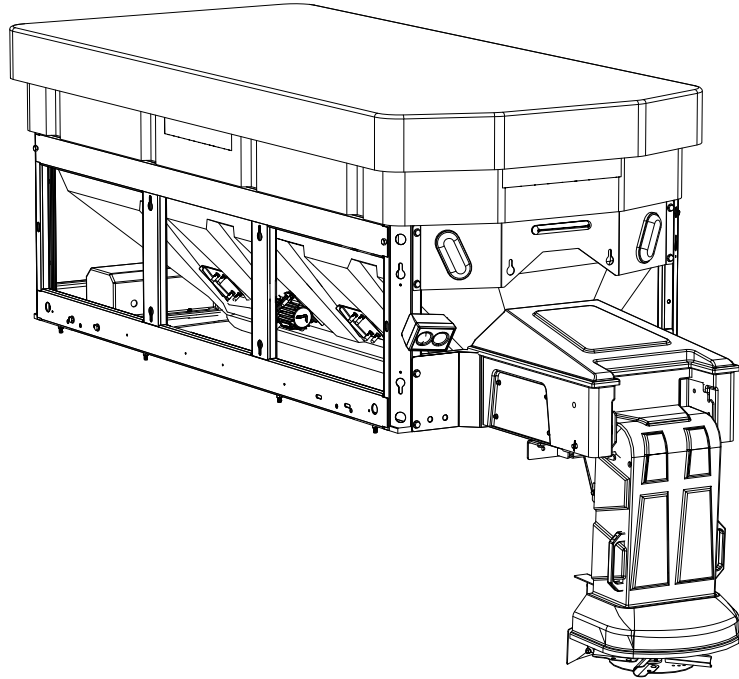
NO DEALER HAS AUTHORITY TO MAKE ANY REPRESENTATION OR PROMISE ON BEHALF OF SNOWEX, OR TO ALTER OR MODIFY THE TERMS OR LIMITATIONS OF THIS WARRANTY IN ANY WAY.

Spreader Views

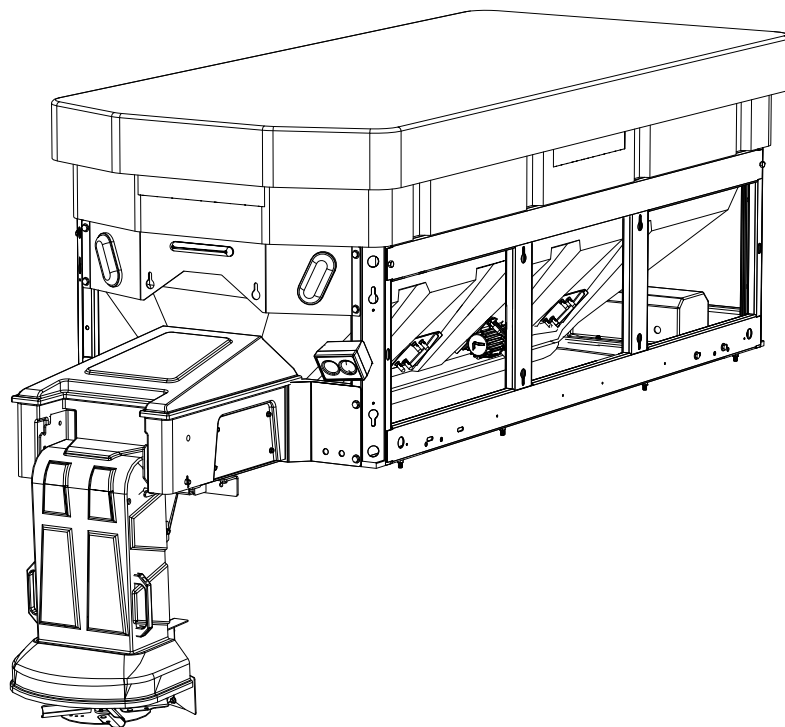


Model # SP-9800X

Driver's Side



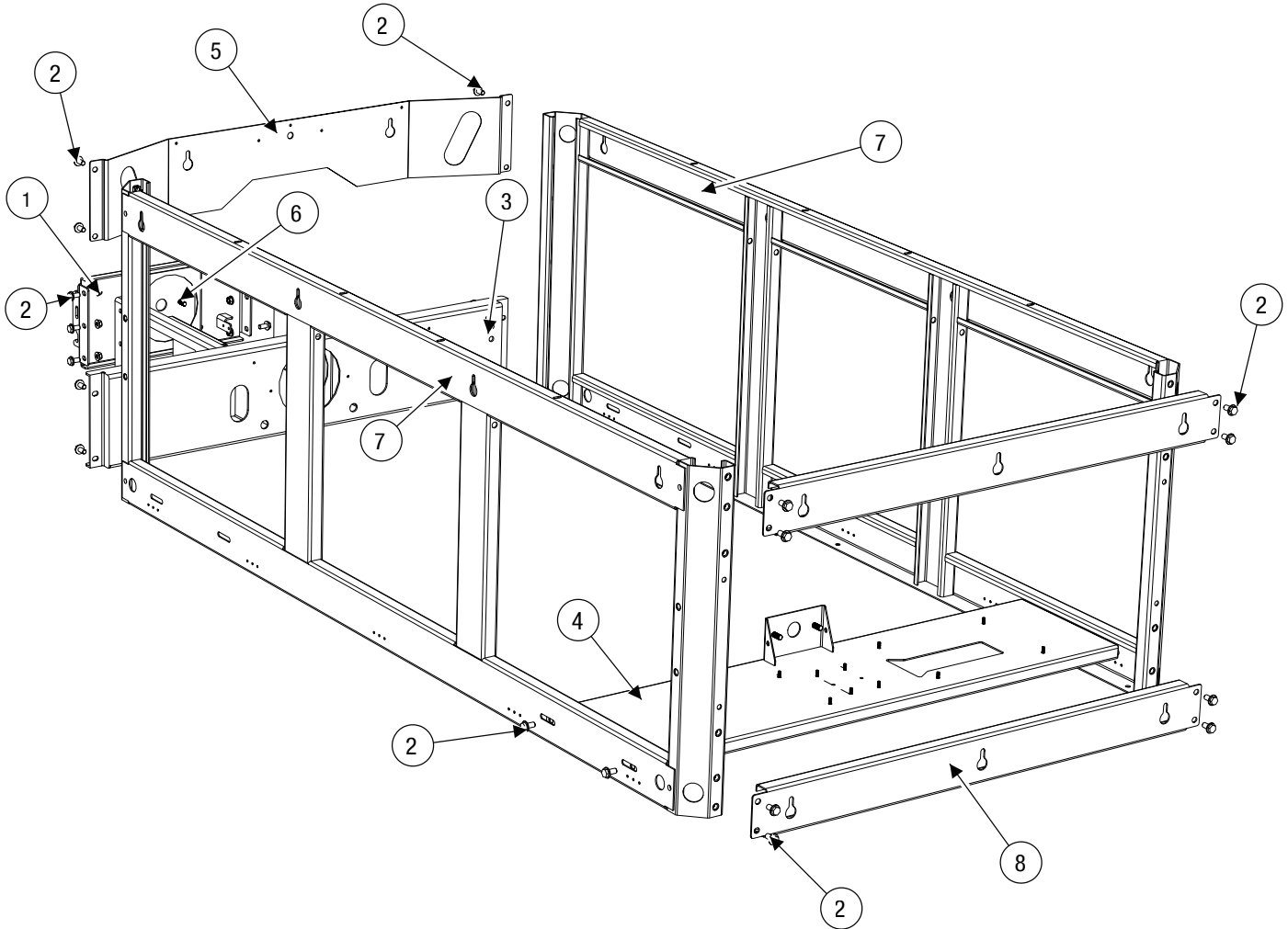
Passenger's Side



Frame Assembly Parts Breakdown



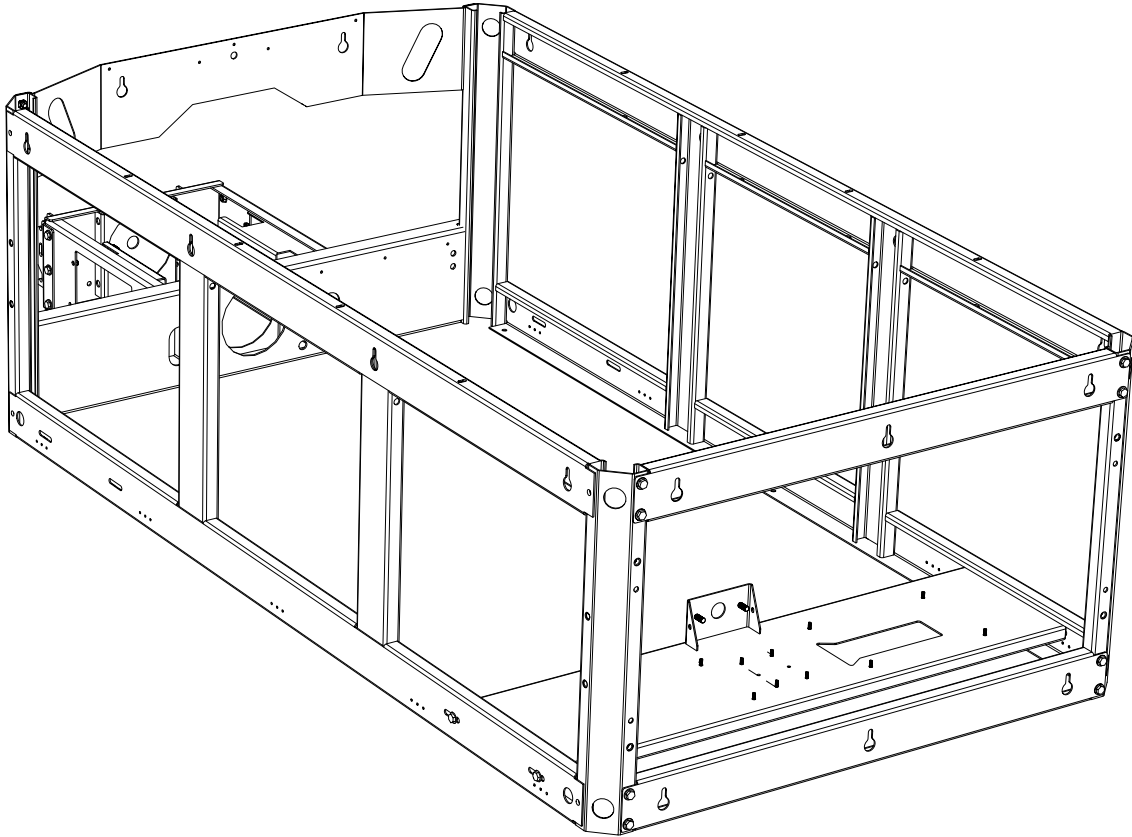
Model # SP-9800X



Frame Assembly Parts Breakdown



Model # SP-9800X

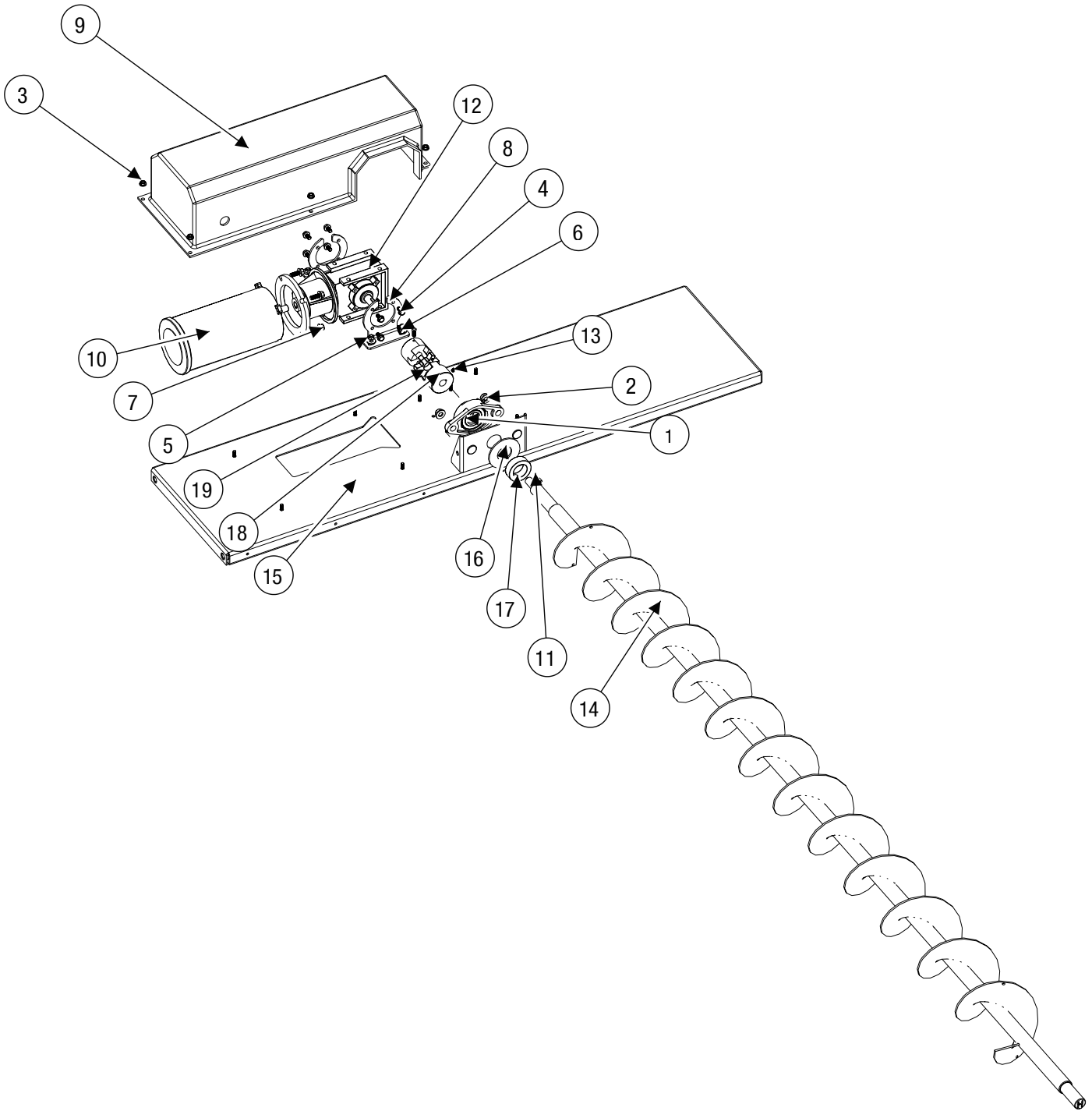


BOM ID	Description	Description	Qty.
1	D5535	Nut 1/2"-13 Serrated Flange Zinc	6
2	D6528	Bolt 1/2"-13 X 1" Serrated Hex Zinc	26
3	F50372	Rear Extension Weldment 9800	1
4	F50374	Auger Drive Mounting Plate 9800 Series	1
5	F50391	Rear Apron 9800 Series	1
6	F50393	Spinner Drive Mount Assembly	1
7	F50395	Side Frame 9800 Series	2
8	F50398	Front Facia 9800 Series	2

Auger Drive Assembly Parts Breakdown



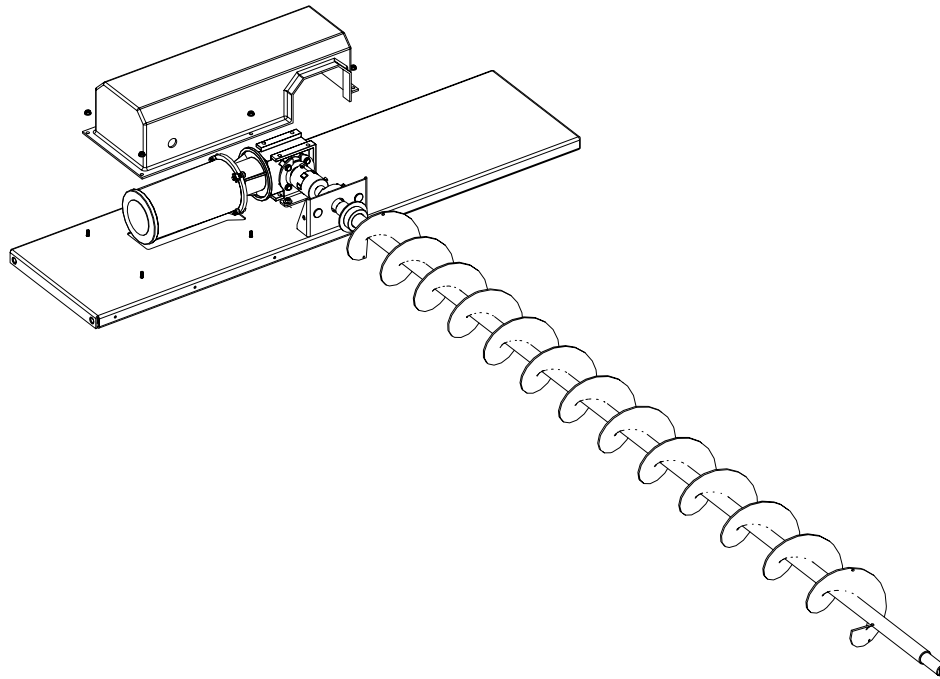
Model # SP-9800X



Auger Drive Assembly Parts Breakdown



Model # SP-9800X

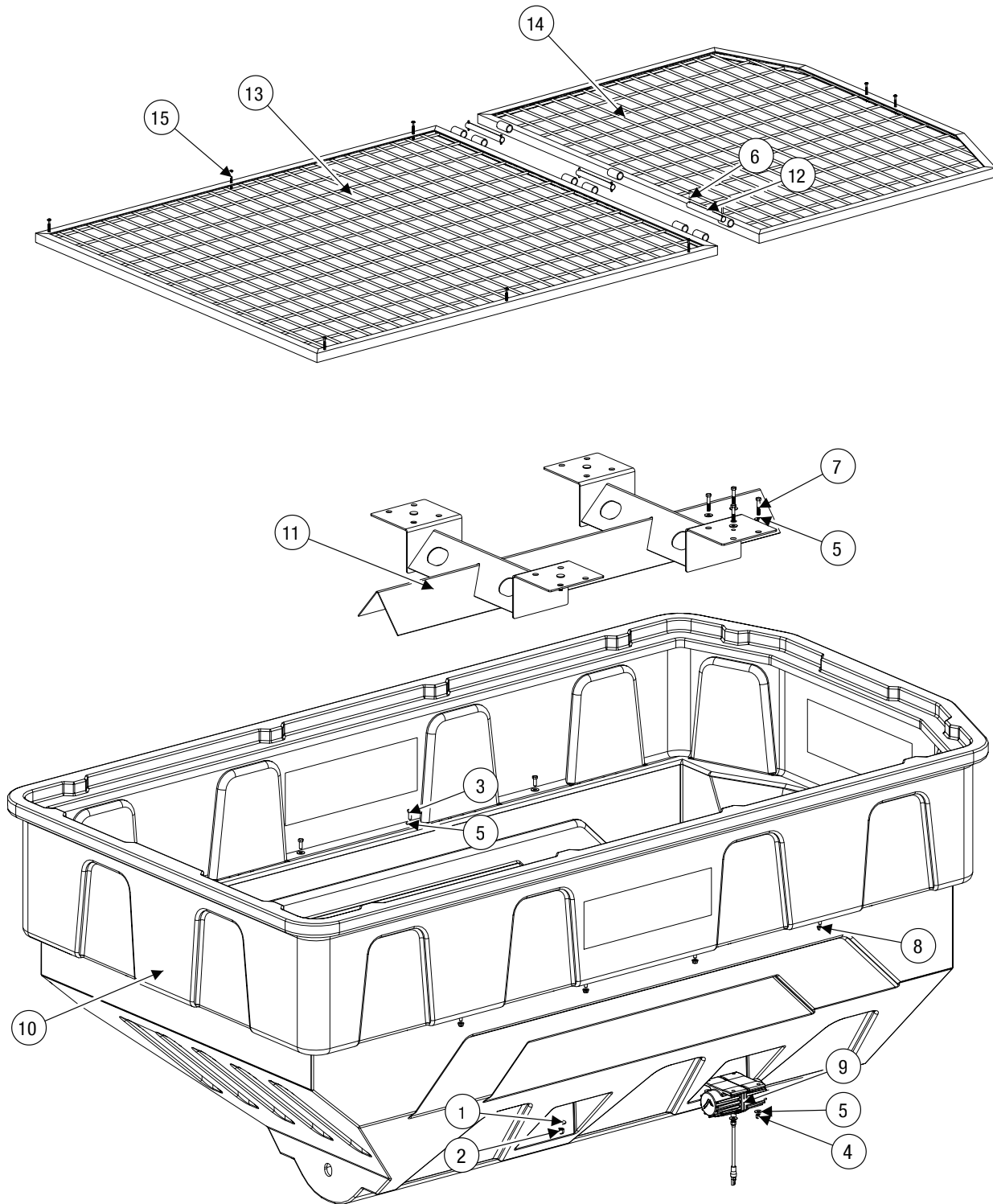


BOM ID	Description	Description	Qty.
1	D5382	Bearing 2 Bolt Flange 1-1/4" Eccentric Locking Collar	1
2	D5535	Nut 1/2"-13 Serrated Flange Zinc	2
3	D5706	Nut 5/16"-18 Serrated Flange Zinc	6
4	D5753	Bolt M8-1.25 X 16 MM Flange Zinc	8
5	D6138	Nut 5/16"-18 Nylox Zinc	4
6	D6165	Washer 5/16" Flat USS Zinc	4
7	D6452	Bolt 3/8"-16 X 1" Serrated Flange Type F Zinc	4
8	D6752	Transmission Support Bracket	2
9	D6868	Auger Motor Cover	1
10	D6872	Motor 3/4HP 1750RPM	1
11	D6873	Keystock 3/16" X 1-1/4" Plain	1
12	D6894	Transmission 78.17:1 Bevel Helical	1
13	D7162	Set Screw 5/16"-18 X 3/4" Square Head Plain	2
14	F50247	Auger 7" X 114" X 6-8"	1
15	F50374	Auger Drive Mounting Plate 9800 Series	1
16	F50509	Flat Washer 1-1/2" Zinc	1
17	F50510	Shaft Collar 1-9/16" W/Set Screw Zinc	1
18	F50513	Jaw-Coupling Hub L100 3/4" Sintered Iron	2
19	F50514	Jaw-Coupling Spider L100 Urethane	1

Hopper Assembly Parts Breakdown



Model # SP-9800X

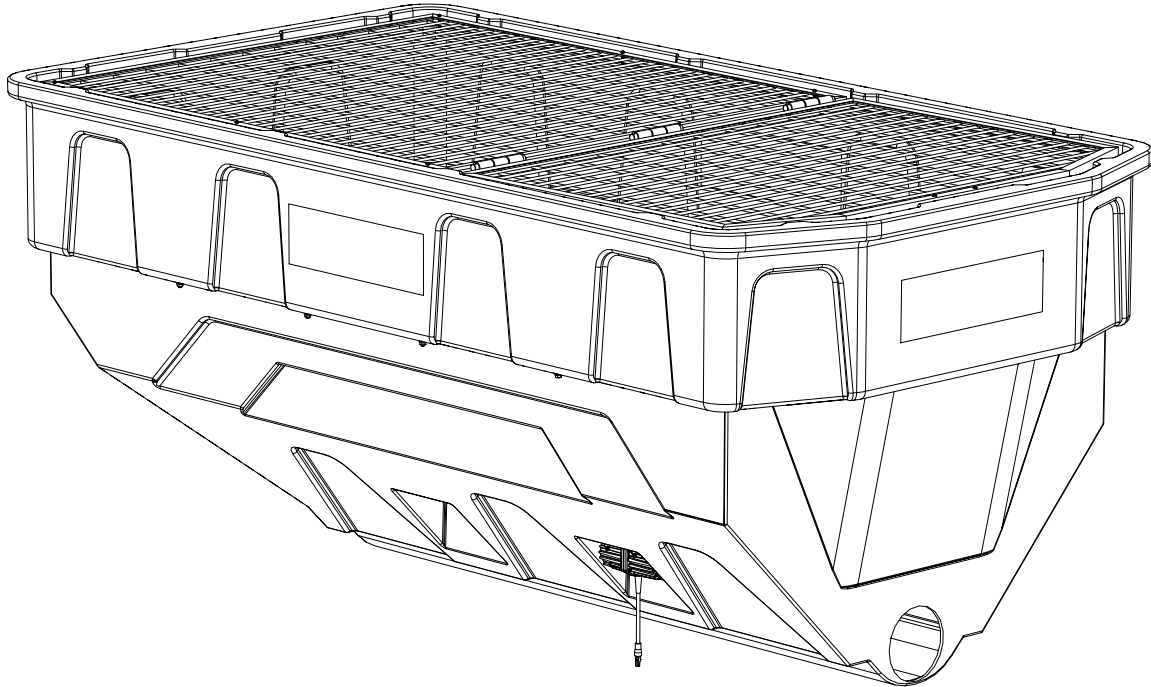


Hopper Cover...Part No. F50471

Hopper Assembly Parts Breakdown



Model # SP-9800X

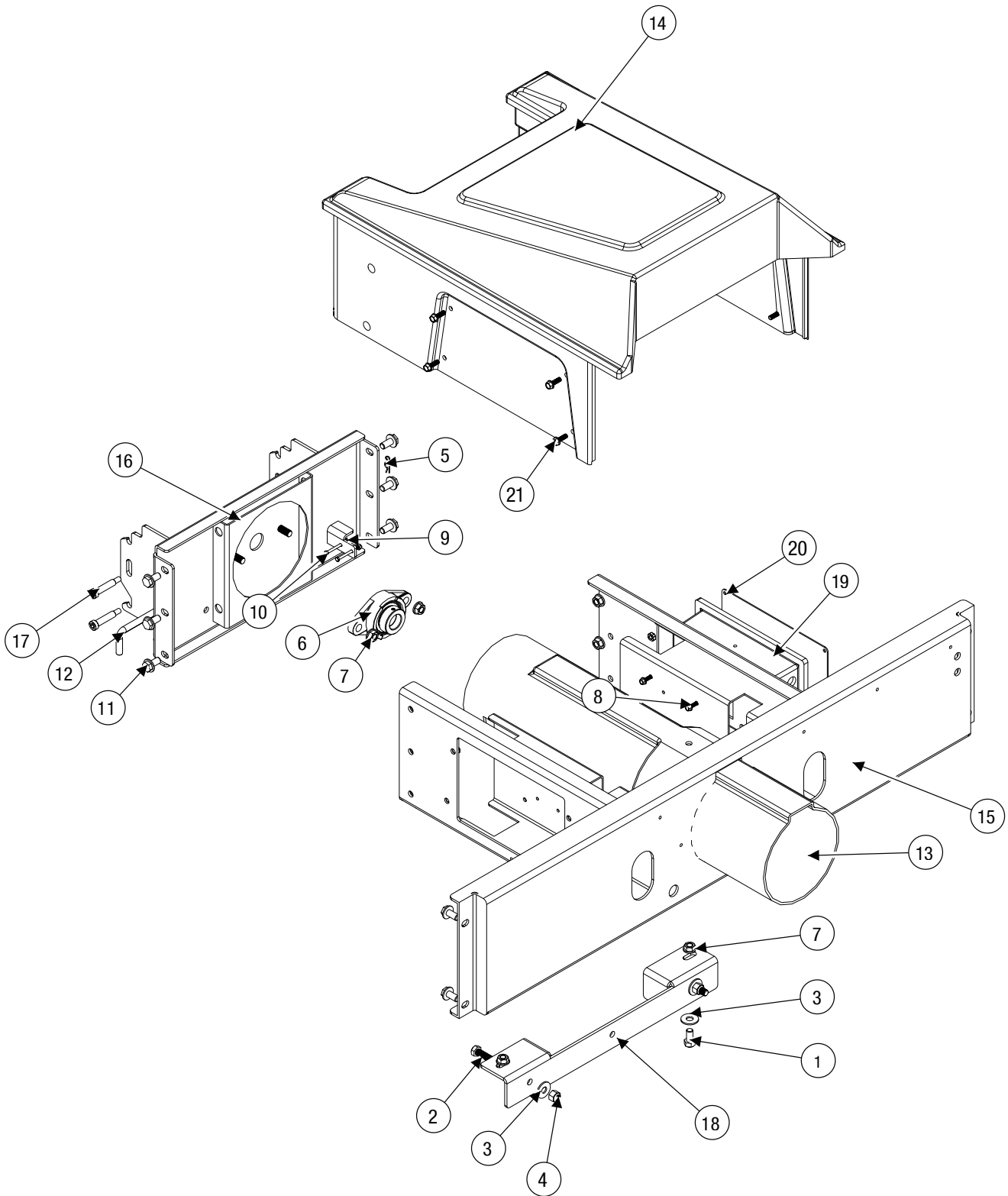


BOM ID	Description	Description	Qty.
1	D4119	Washer 1/2" Flat USS Zinc	3
2	D4120	Nut 1/2"-13 Nylox Zinc	3
3	D4121	Bolt 3/8"-16 X 1" Hex Head Zinc	8
4	D4124	Nut 3/8"-16 Nylox Zinc	4
5	D4125	Washer 3/8" Flat USS Zinc	16
6	D5921	Spring Pin 3/16" X 1-1/4" Zinc	6
7	D6160	Bolt 3/8"-16 X 2" Hex Head Zinc	4
8	D6584	Nut 3/8"-16 Serrated Flange Zinc	8
9	D6899	Vibrator DC 400	1
10	F50298	Hopper 6.0 Cu. Yd. Yellow	1
11	F50375	Inverted V 9800 Series	1
12	F50400	Screen Pin 9800 Series	3
13	F50401	Top Screen 58.5" X 66" Front	1
14	F50402	Top Screen 58.5" X 44.5" Rear	1
15	F50572	Screw 1/4"-20 X 2" Hex Head	8

Auger Extension Assembly Parts Breakdown



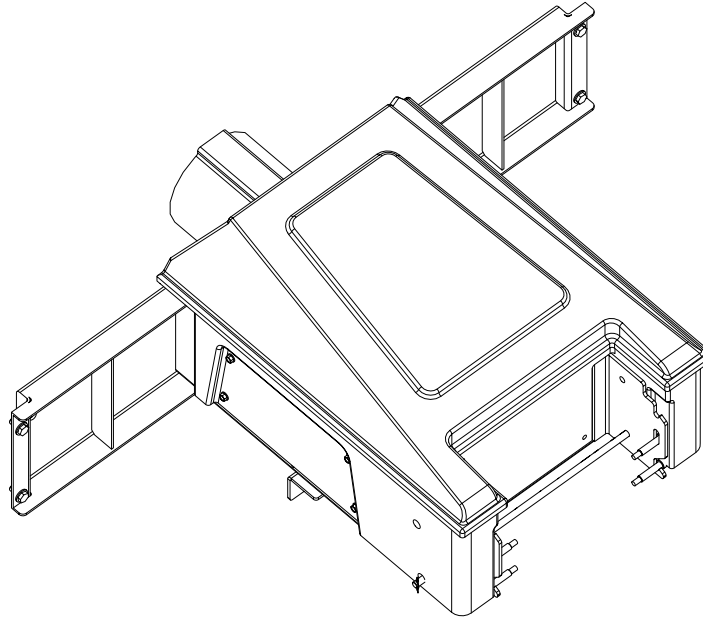
Model # SP-9800X



Auger Extension Assembly Parts Breakdown



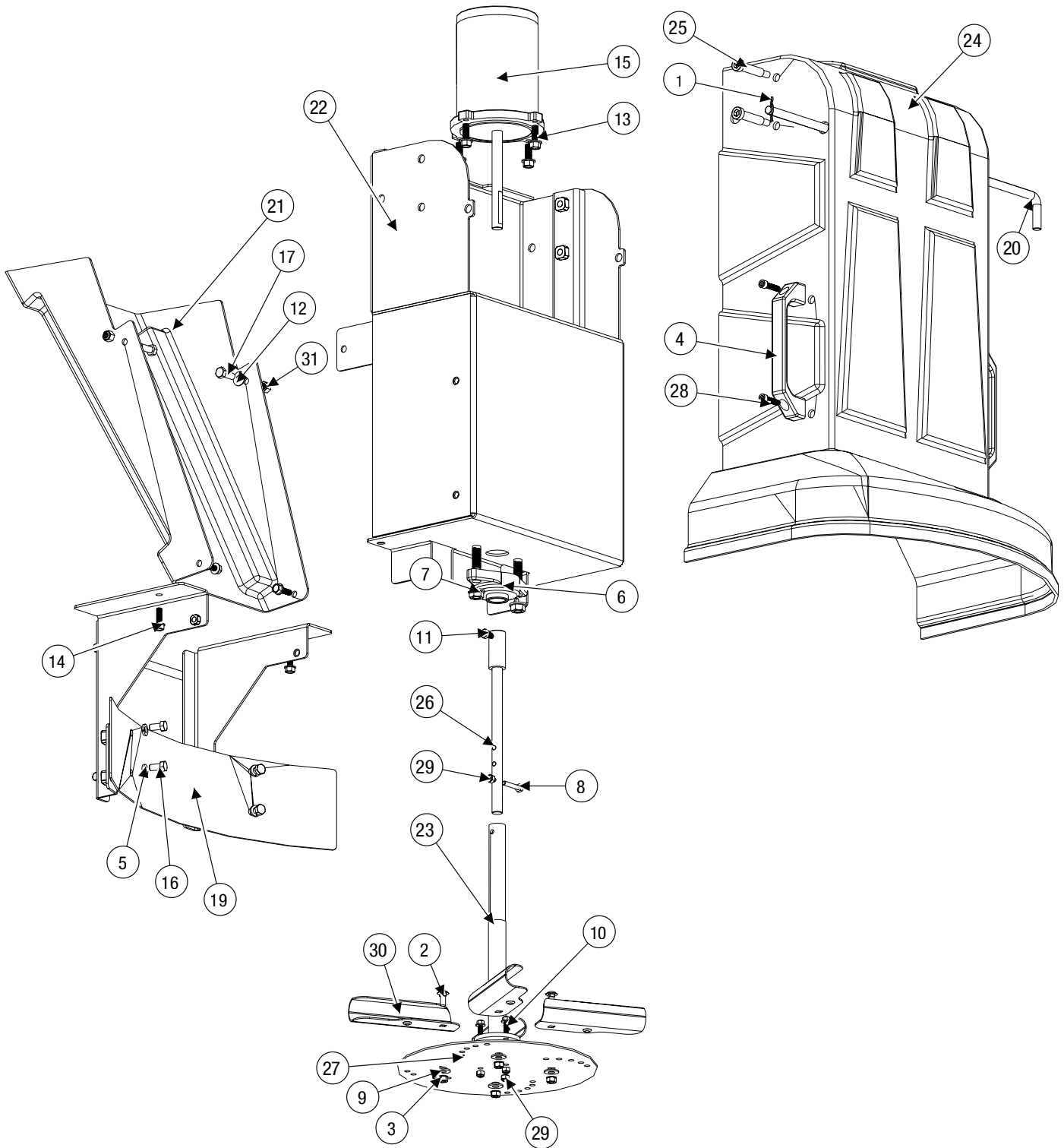
Model # SP-9800X



BOM ID	Description	Description	Qty.
1	D4115	Bolt 1/2"-13 X 1" Hex Head Zinc	2
2	D4116	Bolt 1/2"-13 X 1-1/2" Hex Head Zinc	2
3	D4119	Washer 1/2" Flat USS Zinc	4
4	D4120	Nut 1/2"-13 Nylox Zinc	2
5	D4135	Hair Pin Cotter .093 X 2-3/8" Zinc	1
6	D5382	Bearing 1-1/4" Locking Collar	1
7	D5535	Nut 1/2"-13 Serrated Flange Zinc	10
8	D6132	Bolt 1/4"-20 X 3/4" Serr. Flange Stainless	4
9	D6158	Nut #10-32 Nylox Zinc	2
10	D6159	Bolt #10-32 X 2" Hex Head MS Stainless	2
11	D6528	Bolt 1/2"-13 X 1" Serrated Hex Zinc	10
12	F50366	Bent Pin 1/2" X 25-1/2"	1
13	F50367	Auger Discharge Tube	1
14	F50368	Auger Extension Cover	1
15	F50372	Rear Extension Weldment 9800	1
16	F50393	Spinner Drive Mount Assembly	1
17	F50407	Bolt 1/2" X 2" Shoulder Stainless	4
18	F50465	Rear Stop Bracket X Series	1
19	F50488	Plastic Power Module Box	1
20	F50489	Plastic Power Module Cover	1
21	F50587	Bolt 5/16"-18 X 1" Serrated Flange	8

Drive Assembly Parts Breakdown

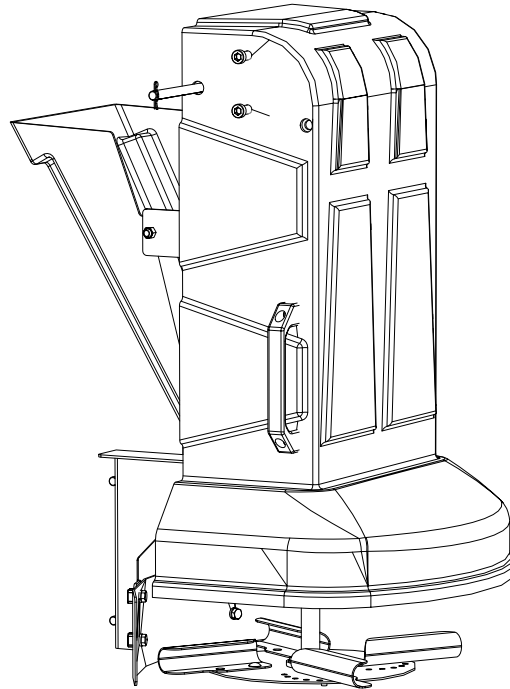
Model # SP-9800X



Drive Assembly Parts Breakdown



Model # SP-9800X



BOM ID	Description	Description	Qty.
1	D4135	Hair Pin Cotter .093 X 2-3/8" Zinc	1
2	D5022	Bolt 5/16"-18 X 3/4" Carriage SS	4
3	D5023	Nut 5/16"-18 Keps Stainless	4
4	D5248	Pull Handle 8"	2
5	D5336	Lock Washer 3/8" Stainless	4
6	D5527	Bearing 1" 2 Bolt Flange	1
7	D5535	Nut 1/2"-13 Serr. Flange Hex	2
8	D5907	Bolt 1/4"-20 X 1-3/8" Hex Head SS	1
9	D5949	Washer 5/16" Flat SS	4
10	D6132	Bolt 1/4"-20 X 3/4" Serr. Flange SS	3
11	D6133	Bolt 5/16"-18 X 1/2" Hex Head Zinc	1
12	D6169	Washer 3/8" Flat SS	2
13	D6452	Bolt 3/8"-16 X 1" Serr. Flange Hex	4
14	D6453	Bolt 5/16"-18 X 1" Serr. Flange SS	4
15	D6887	Spinner Motor	1
16	D6978	Bolt 3/8"-16 X 3/4" Hex Head SS	4

BOM ID	Description	Description	Qty.
17	F50110	Bolt 3/8"-16 X 1" Hex Head SS	2
18	F50316	Bracket Spinner Deflector X Series	1
19	F50318	Spinner Deflector Stainless X Series	1
20	F50366	Bent Pin 1/2" X 25-1/2"	1
21	F50371	Material Chute X Series	1
22	F50376	Spinner Drive Enclosure X Series	1
23	F50394	Spinner Hub 5/8" X 1" X 13.5"	1
24	F50405	Spinner Assembly Cover X Series	1
25	F50407	Bolt 1/2" X 2" Shoulder Stainless	4
26	F50441	Spinner Shaft Extension X Series	1
27	F50517	Spinner Plate 12" Adjustable X Series	1
28	F50711	Bolt 5/16"-18 X 1-1/4" Socket Head SS	4
29	T15016	Nut 1/4"-20 Nylox Waxed Stainless	4
30	T30207	Cupped Spinner Fin	4
31	T30728	Nut 3/8"-16 Nylox Waxed Stainless	2

Notes



Notes



Lined area for writing notes, consisting of 20 horizontal lines.

