

Receiver Hitch Mount Parts Breakdown



Model # RHT-085 ADAPTER KIT with RHT-375

Shown with 1875 configuration

RHT-085 can only be used with RHT-375 on SP-1875.

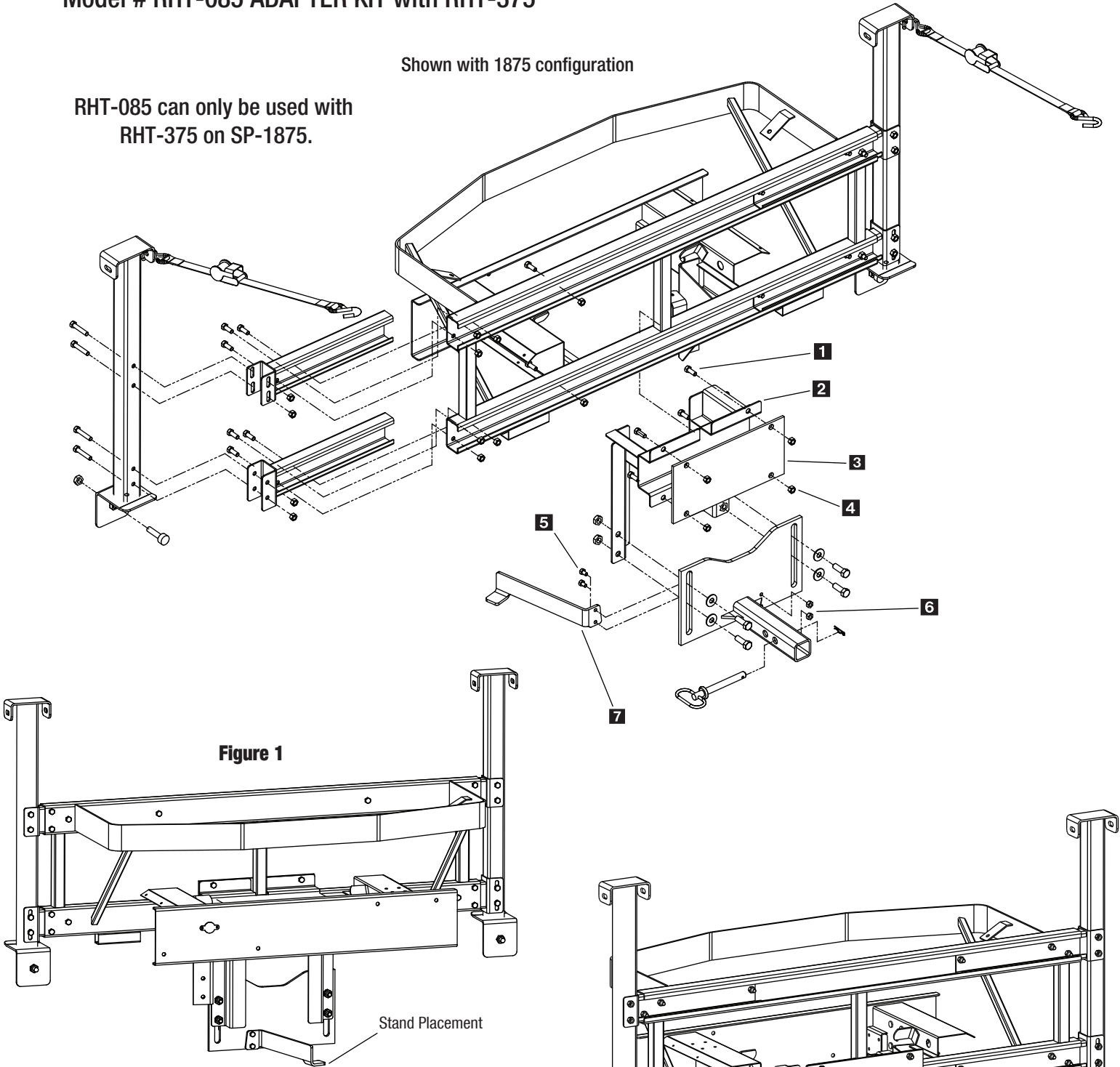


Figure 1

Figure 2

RHT-085 ADAPTER KIT

Key	Part No.	Description	Qty.
1	D 4116	1/2-13 x 1-1/2" Hex Bolt	4
2	D 6389	Frame Adapter	1
3	D 6390	Backing Plate	1
4	D 4120	1/2-13 Nylock Nut	4
5	D 6166	5/16-18 x 1" Hex Head Bolt	2
6	D 6138	5/16-18 Nylock Nut	2
7	D 6393	Stand	1

Receiver Hitch Mount Mounting Instructions



Model #RHT-375

- Step 1: Insert Upper and lower channels items **10**, **11** for both the left and right sides. Assemble rails to frame using supplied 3/8" hardware. See illustration on pg. 7-29 for a more detailed view.
- Step 2: You will notice a fourth hole in each rail towards the center of the spreader; we recommend drilling this hole through the frame and securing with supplied hardware. This will add additional strength to the spreader frame.
- Step 3: Next insert 2" receiver plate **8** into hitch and install pin to locate; remove existing 4 rear 1/2" bolts from spreader drive assembly.
- Step 4: With assistance, lift spreader onto bumper and re-install 1/2" bolts through receiver plate into frame; re-install lock nuts but leave slightly loose.
- Step 5: Locate upright supports and bolt to frame rails using 3/8" hardware, see illustration on pg 7-29 for a more detailed view.
- Step 6: With assistance lift spreader onto bumper, attach spreader to frame using the existing bolts that were removed in step 3.
- Step 7: Tighten receiver mount bolts.
- Step 8: INSTALL BOTH RATCHET STRAPS FROM THE FRAME SUPPORT WELDMENT TO AN IN BED TIE DOWN POINT.

Model #RHT-085 Adapter Kit

- Step 9: Place item **2** frame adapter on the back lower inside rail face, place item **3** on the outside back lower rail (see illustration). Install hardware for items **2** & **3** as shown in the exploded view. Refer to figures 1 & 2 for proper installation.
- Step 10: Insert 2" receiver weldment item **8** (pg 29) into hitch and install pin to locate.
- Step 11: With assistance, lift spreader onto bumper.
- Step 12: Install 1/2" bolts through receiver weldment item **8** (pg 29) into frame adapter item **2**.
- Step 13: Tighten receiver mount bolts.
- Step 14: USE BOTH RATCHET STRAPS FROM EACH SIDE OF THE FRAME SUPPORT WELDMENT TO AN IN BED TIE DOWN OR WITH A SINGLE STRAP, FROM SIDE TO SIDE AROUND BOTH FRAME SUPPORT WELDMENTS.