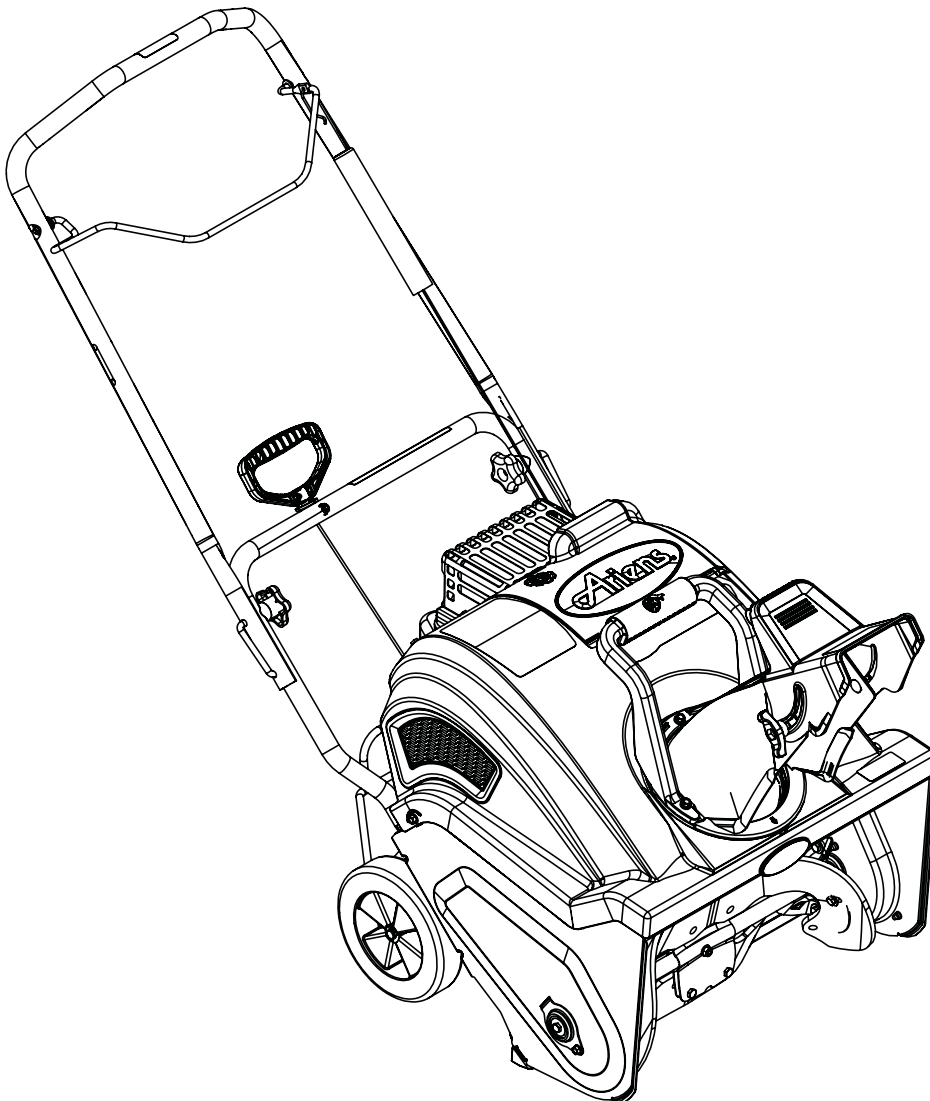




THE KING OF SNOW®

Path-Pro®

Parts Manual



Models

938030 – SS21
(SN 000101+)

938031 – SS21
(SN 000101+)

938032 – SS21E
(SN 000101+)

938033 – SS21EC
(SN 000101+)

938034 – SS21E
(SN 000101+)

938310 – SS21 CE
(SN 000101+)

938313 – SS21EC CE
(SN 000101+)



The use of any gasoline exceeding 10% ethanol (E10) or 10% MTBE will void the product warranty.
L'utilisation d'une essence contenant plus de 10% d'éthanol (E10) ou de 10% de MTBE annulent la garantie.
El uso de cualquier otro tipo de gasolina con un porcentaje superior al 10% de etanol (E10) o al 10% de MTBE invalidará la garantía del producto.

THE MANUAL

Before you operate your unit, carefully and completely read manuals supplied with the unit. The contents will provide you with an understanding of safety instructions and controls during normal operation and maintenance.

For your safety and the safety of others always read, understand, and follow all DANGER, WARNING, and CAUTION messages found in manuals and on safety decals.

Hardware descriptions are given in decimals.

Decimals to Fractions			
.063	1/16	.563	9/16
.125	1/8	.625	5/8
.188	3/16	.688	11/16
.250	1/4	.750	3/4
.313	5/16	.813	13/16
.375	3/8	.875	7/8
.438	7/16	.938	15/16
.500	1/2	1.00	1

SERVICE AND REPLACEMENT PARTS

When ordering replacement parts or making service inquiries, know the Model and Serial numbers of your unit and engine.

Numbers are located on the product registration card in the unit literature package. They are printed on a serial number label, located on the frame of your unit.

• Record Unit Model and Serial numbers here:

• Record Engine Model and Serial numbers here:

UNAUTHORIZED REPLACEMENT PARTS

Use only Ariens replacement parts. The replacement of any part on this vehicle with anything other than an Ariens authorized replacement part may adversely affect the performance, durability, or safety of this unit and may void the warranty. Ariens disclaims liability for any claims or damages, whether warranty, property damage, personal injury or death arising out of the use of unauthorized replacement parts.

PRODUCT REGISTRATION

The Ariens dealer must register the product at the time of purchase. Registering the product will help the company process warranty claims or contact you with the latest service information. All claims meeting requirements during the limited warranty period will be honored, whether or not the product registration card is returned. Keep a proof of purchase if you do not register your unit.

Customer Note: If Dealer does not register your product, please fill out, sign and return the product registration card to Ariens or go to www.ariens.com.

YOUR SATISFACTION IS IMPORTANT

Questions? Please follow these helpful steps:

1. Refer to the manuals supplied with your unit.
They will guide you through safe and proper operation and maintenance.
They contain specifications on your unit.
If your questions are not answered in these manuals, go to step number two.
2. Contact Your Dealer.
Our dealers will be happy to supply any service or advice required to keep your unit operating at peak efficiency.
A factory trained staff is available to support your equipment needs. They stock genuine Ariens parts and lubricants manufactured with the same precision and skill as the original.
If your questions are not resolved by the support staff, ask for the manager or owner.
When contacting your Dealer supply your model and serial numbers.

TO SPEED PARTS ORDERING:

1. Know the model and serial numbers of your unit.
2. Know the part number required.
3. Know the quantity required.
4. Know the part description.

MODELS

Model 938030 (SS21)

21" Single Stage
AX 136 Recoil
Serial No. 000101 +

Model 938031 (SS21)

21" Single Stage
AX 208 Recoil
Serial No. 000101 +

Model 938032 (SS21E)

21" Single Stage
AX 208 Electric Start
Serial No. 000101 +

Model 938033 (SS21EC)

21" Single Stage
AX 208 Electric Start, Remote Chute Control
Serial No. 000101 +

Model 938034 (SS21E)

21" Single Stage
AX 136 Electric Start
Serial No. 000101 +

Model 938310 (SS21 CE)

21" Single Stage
AX 136 Recoil
Serial No. 000101 +

Model 938313 (SS21EC CE)

21" Single Stage
AX 208 Electric Start, Remote Chute Control
Serial No. 000101 +

TABLE OF CONTENTS

DECALS

Decals 4

MAIN FRAME

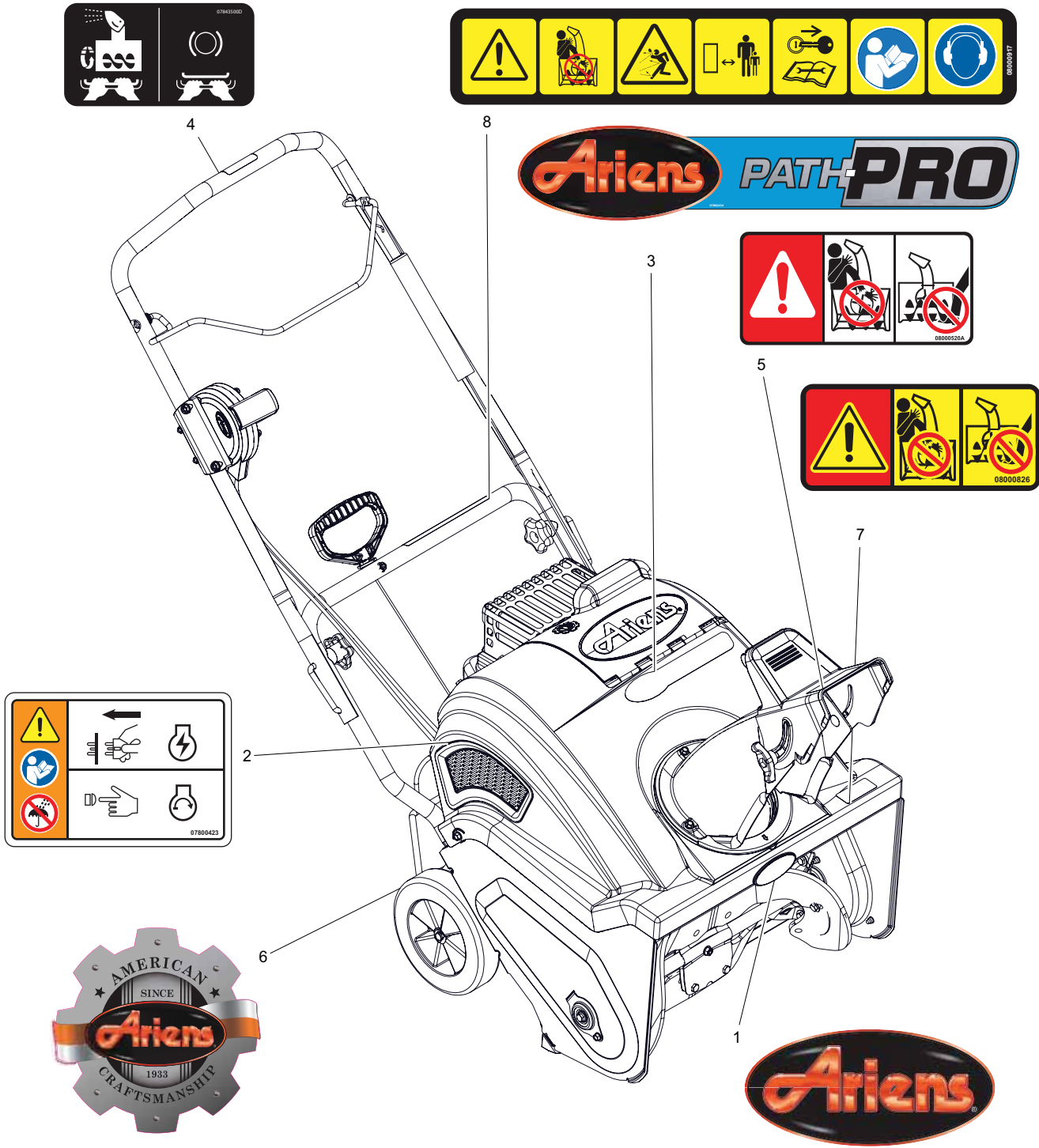
Handlebars 5
Housing 6
Frame 7
Covers and Wheels – Recoil 8
Covers – Electric 9
Wheels – Electric 10

CONTROLS AND ENGINE

Drive Assembly 11
Manual Chute 12
Remote Chute 13
Remote Chute: Remote and Housing 14
Auger 15
Engine Mounting 16

DECALS

Model All

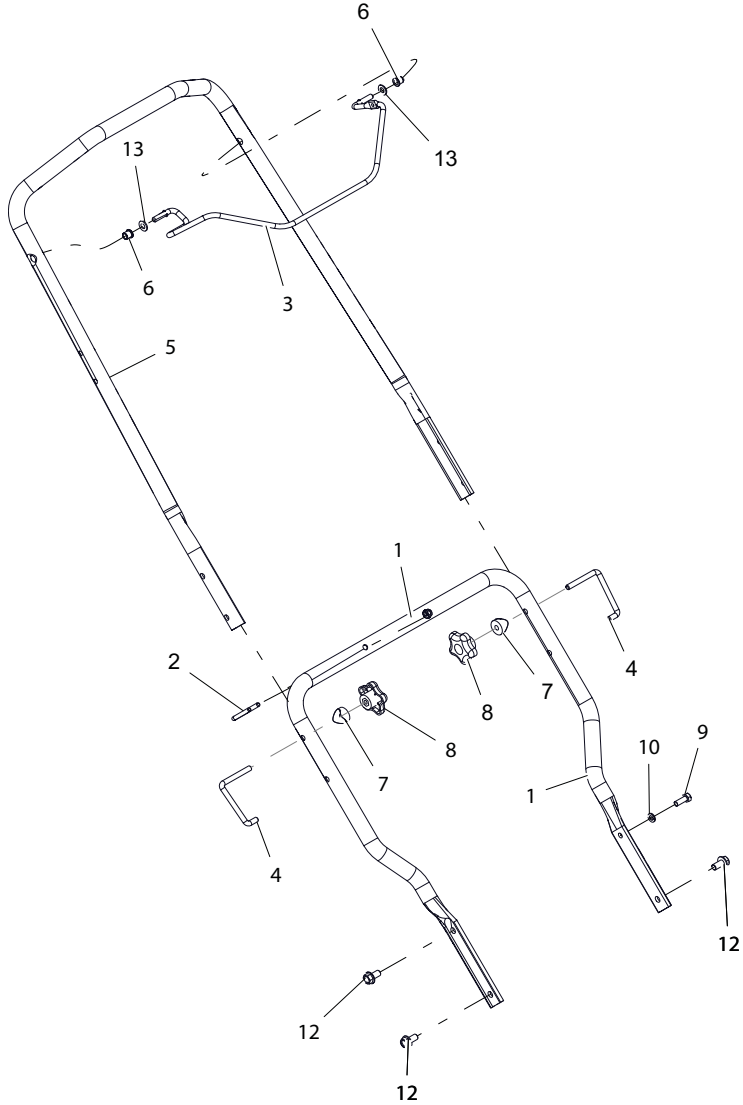


BOM ID	Number	Qty	Description
1	07800203	1	DECAL, ARIENS DOMED JEWEL
2	07800423	1	DECAL, ELEC START
3	07800434	1	DECAL, PATH PRO BRAND
4	07843500	1	DECAL, AUGER / IMPELLER BAIL
5	08000520	1	DECAL, DANGER

BOM ID	Number	Qty	Description
6	08000528	1	DECAL, ARIENS HERITAGE-SMALL
7	08000826	1	DECAL, IMPELLER DANGER
8	08000917	1	DECAL, WARNING

HANDLEBARS

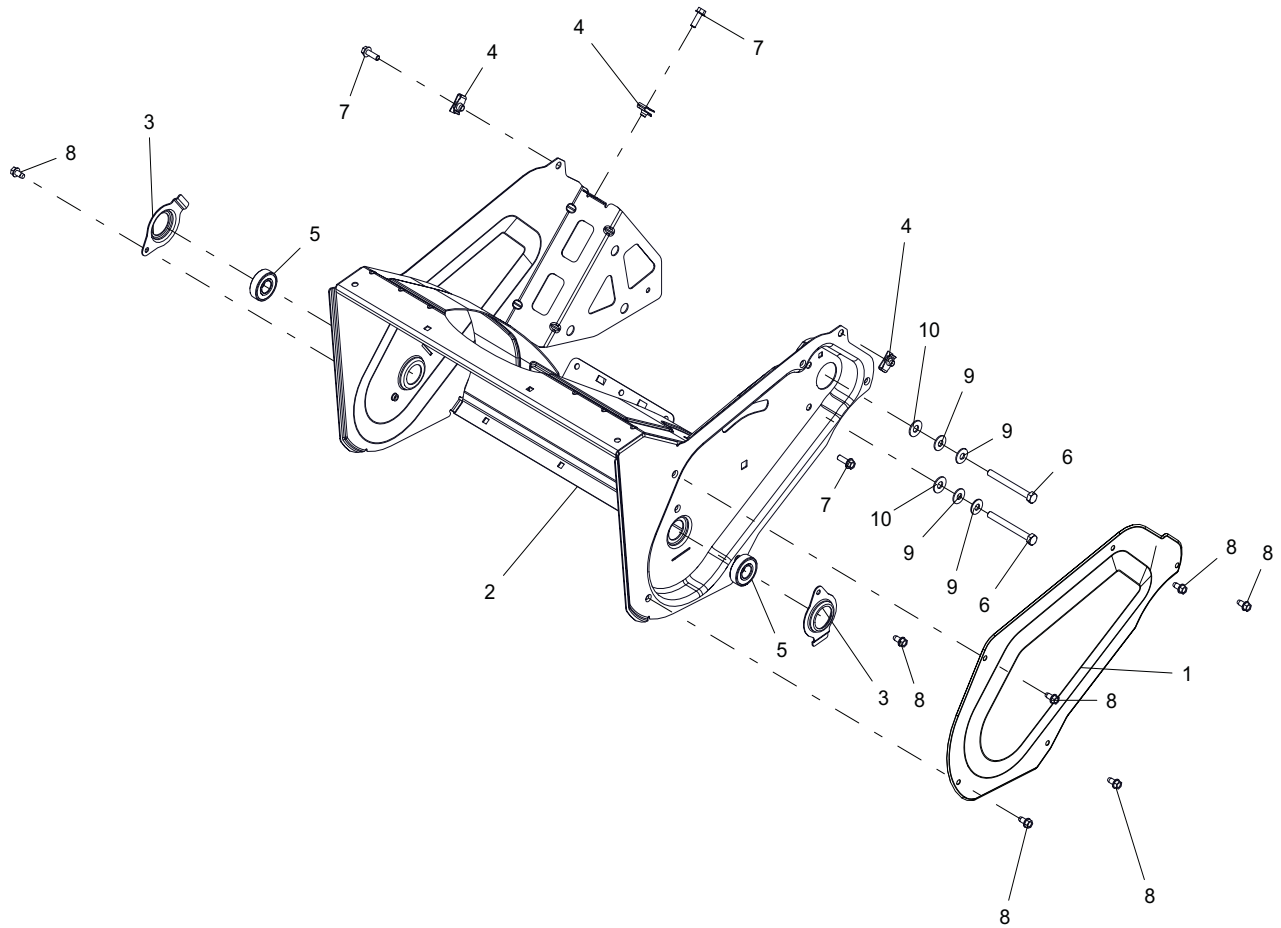
Model All



BOM ID	Number	Qty	Description
1	53803600	1	HANDLEBAR, LOWER W/DECAL
2	04522300	1	GUIDE, PULL CORD
3	04552251	1	BAIL, AUGER-BLACK
4	04552500	2	PIVOT, BOLT , HANDLEBAR
5	53803500	1	HANDLEBAR, UPPER W/DECAL
6	05514500	2	BSHG, FLANGE .325 X .444 X .440 X .560
7	07500005	2	SPCR, HANDLEBAR
8	07500240	2	KNOB, LOCKING 5/16-18 UNC
9	05901517	1	BLT-HEX .31-24X.875 GR5 EP80 YWZC
10	06308600	1	WSHR-LK .31X.078 REG YWZC
12	07028500	3	BLT-SERHFWH .38-16X.75 YWZC
13	06437200	2	WSHR-FL-STL.344X.688X.065YWZC

HOUSING

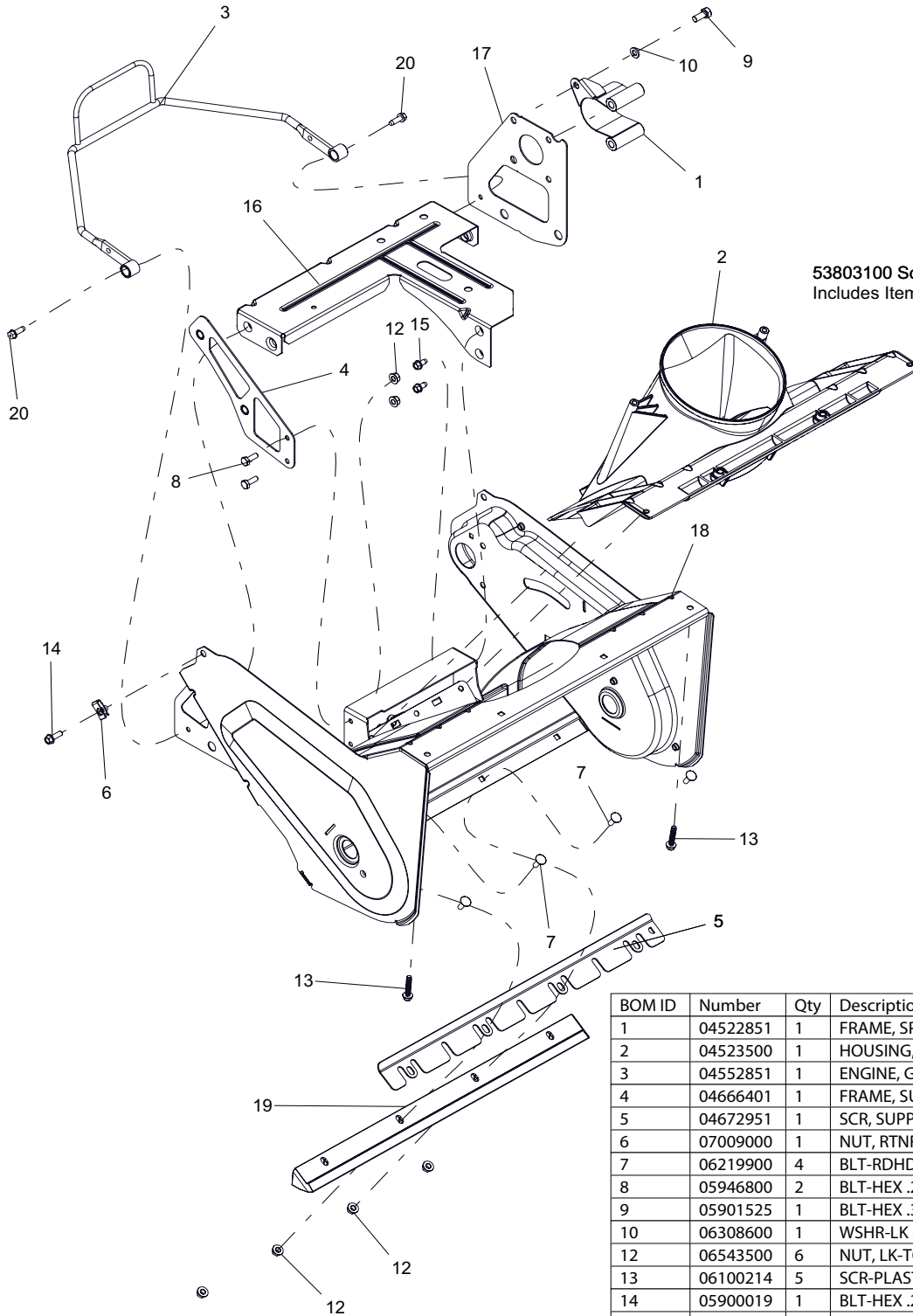
Model All



BOM ID	Number	Qty	Description
1	04517851	1	DRIVE, COVER-BLACK
2	04522451	1	WLDMT, FRAME-BLACK
3	04524451	2	CAP, BRG-BLACK
4	07009000	3	NUT, RTNR .25-20 X .56
5	05400711	2	BRG-BALL .669X1.575X.47(6203Y)
6	05901526	2	BLT-HEX .31-24X3.00 GR5 YWZC
7	05900019	3	BLT-HEX .25-20X.75 HWH YWZC GR5
8	07400034	7	SCR-TAP .25-20X.50 HWH TR YWZ
9	06400929	4	WSHR, BLVL-.322X.813X.063
10	06400928	2	WSHR-HDND .375X.875X.064 YWZC

FRAME

Model All

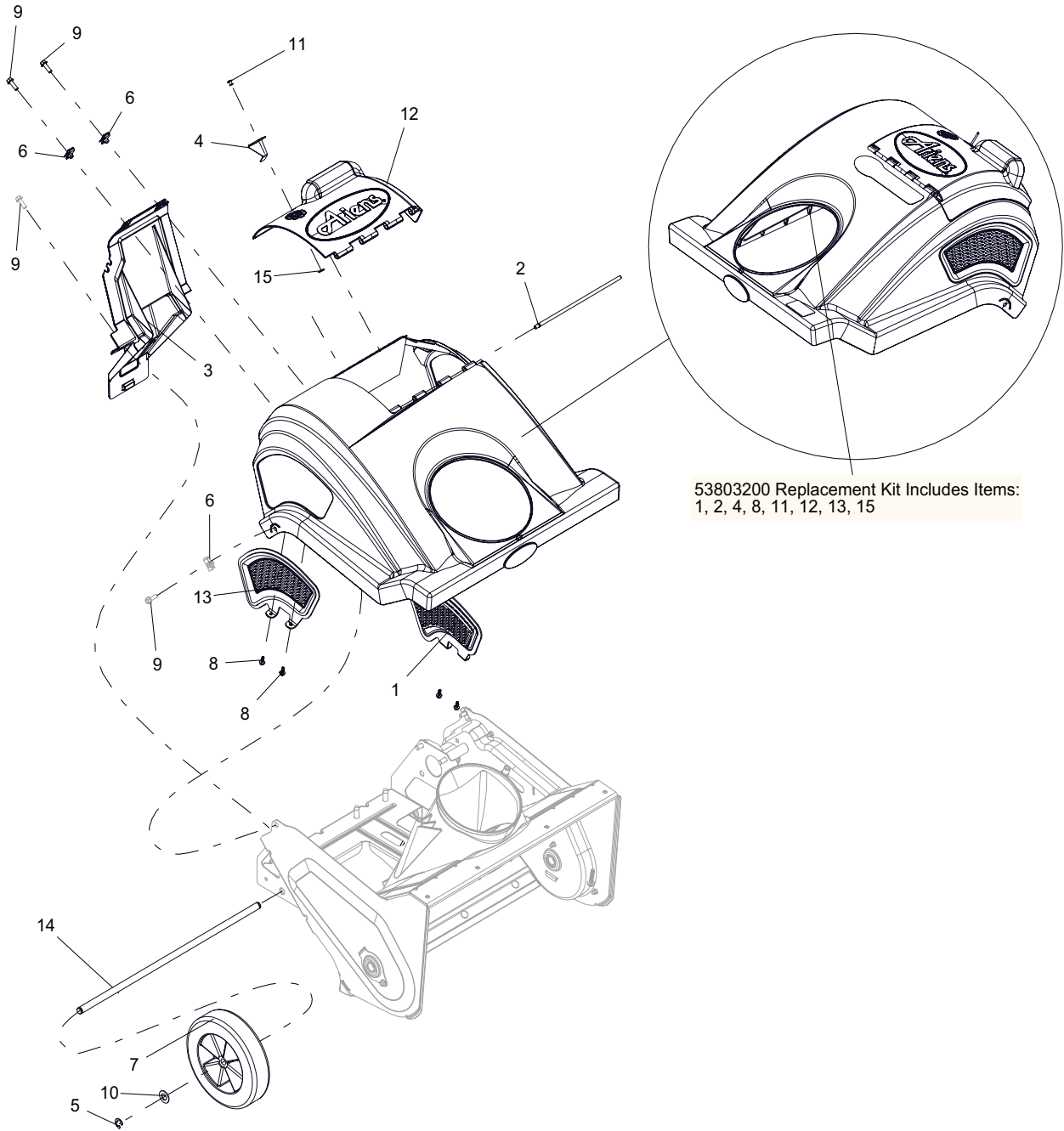


53803100 Scraper Replacement Kit
Includes Items 7, 12, 19

BOM ID	Number	Qty	Description
1	04522851	1	FRAME, SPCR PTO-BLACK
2	04523500	1	HOUSING, INSERT
3	04552851	1	ENGINE, GUARD-BLACK
4	04666401	1	FRAME, SUPPORT BRACKET
5	04672951	1	SCR, SUPPORT-BLACK
6	07009000	1	NUT, RTNR .25-20 X .56
7	06219900	4	BLT-RDHDSQNK .25-20X.75 G5 YWZC
8	05946800	2	BLT-HEX .25-20X.75 GR5 YWZC
9	05901525	1	BLT-HEX .31-24X.75 GR5 EP30 YWZC
10	06308600	1	WSHR-LK .31X.078 REG YWZC
12	06543500	6	NUT, LK-TOP-FLG .25-20 YWZC
13	06100214	5	SCR-PLASTITE .25-10X1.250 YWZC
14	05900019	1	BLT-HEX .25-20X.75 HWH YWZC GR5
15	07400034	2	SCR-TAP .25-20X.50 HWH TR YWZ
16	04522551	1	HOUSING, FRAME-BLACK
17	04522901	1	FRAME, DRIVE BRACKET
18	04522451	1	WLDMT, FRAME-BLACK
19	53803100	1	SCR, BLADE
20	07400111	2	SCR-TAP .25-20X.75 HWH TR YWZ

COVERS AND WHEELS – RECOIL

Model 938030, 031, 310



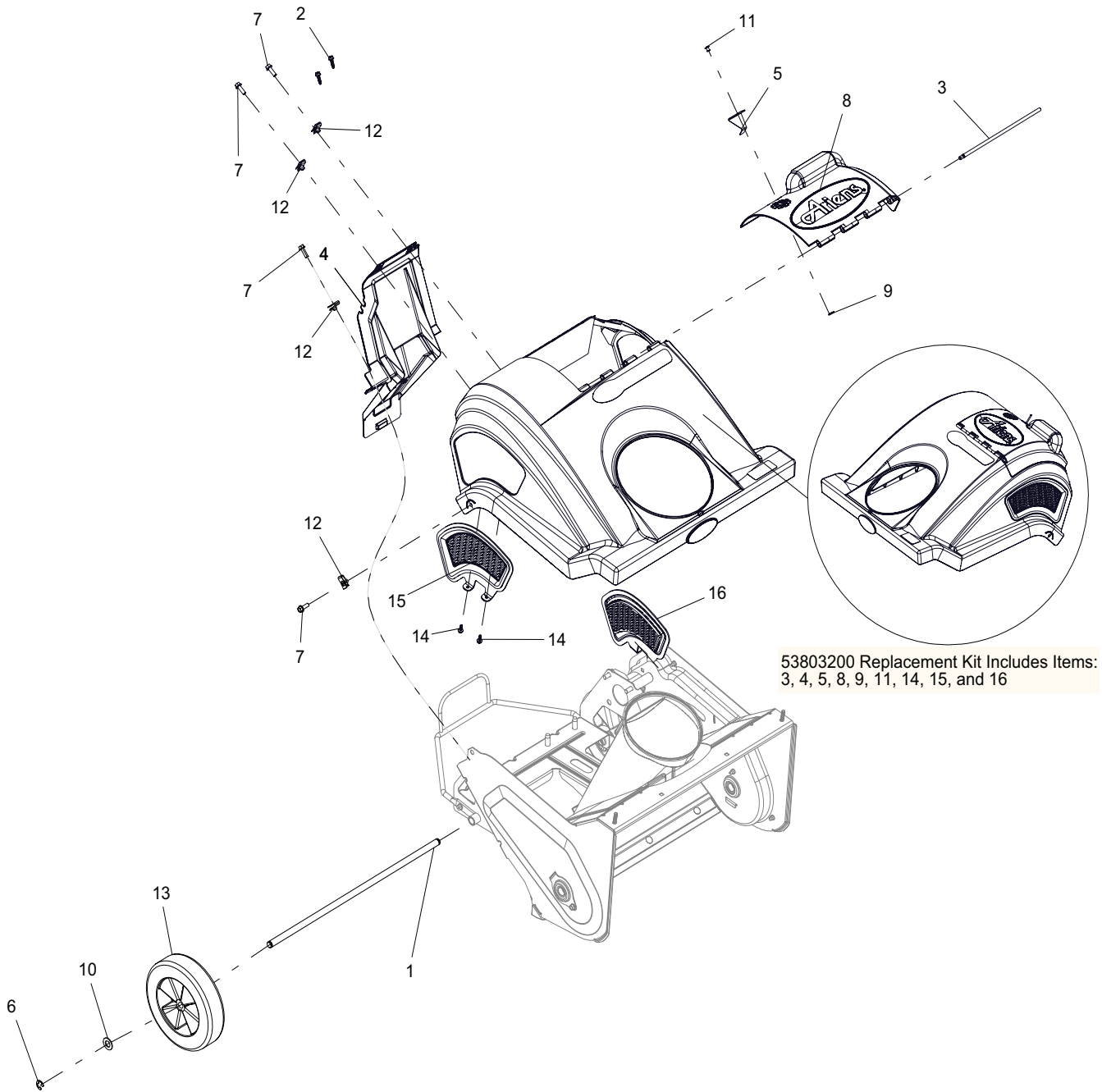
53803200 Replacement Kit Includes Items:
1, 2, 4, 8, 11, 12, 13, 15

BOM ID	Number	Qty	Description
1	04523700	1	VENT, COVER LEFT
2	04549900	1	ROD, COVER
3	04567800	1	COVER, BACK
4	04695351	1	TAB, LATCH
5	05710200	2	RG-RTNG-EXT .500X.042 (E)
6	07009000	3	NUT, RTNR .25-20 X .56
7	07149900	2	WHL 7.50" .50 BORE, 1.50 HUB
8	07400107	4	SCR-TAP #10X.500 BOSS INDHXHD

BOM ID	Number	Qty	Description
9	05900019	4	BLT-HEX .25-20X.75 HWH YWZC GR5
10	06425300	2	WSHR-FL-STL .531X1.000X.063 YWZC
11	06800028	1	RVT-POP .187x.250 (#64) YWZC
12	04540400	1	DOOR, COVER SINGLE STAGE
13	04523800	1	VENT, COVER RIGHT
14	04523400	1	SHAFT, AXLE
15	06400003	1	WSHR-FL-STL .196X.500X.06 YWZC

COVERS AND WHEELS – ELECTRIC

Model 938032, 033, 034, 313

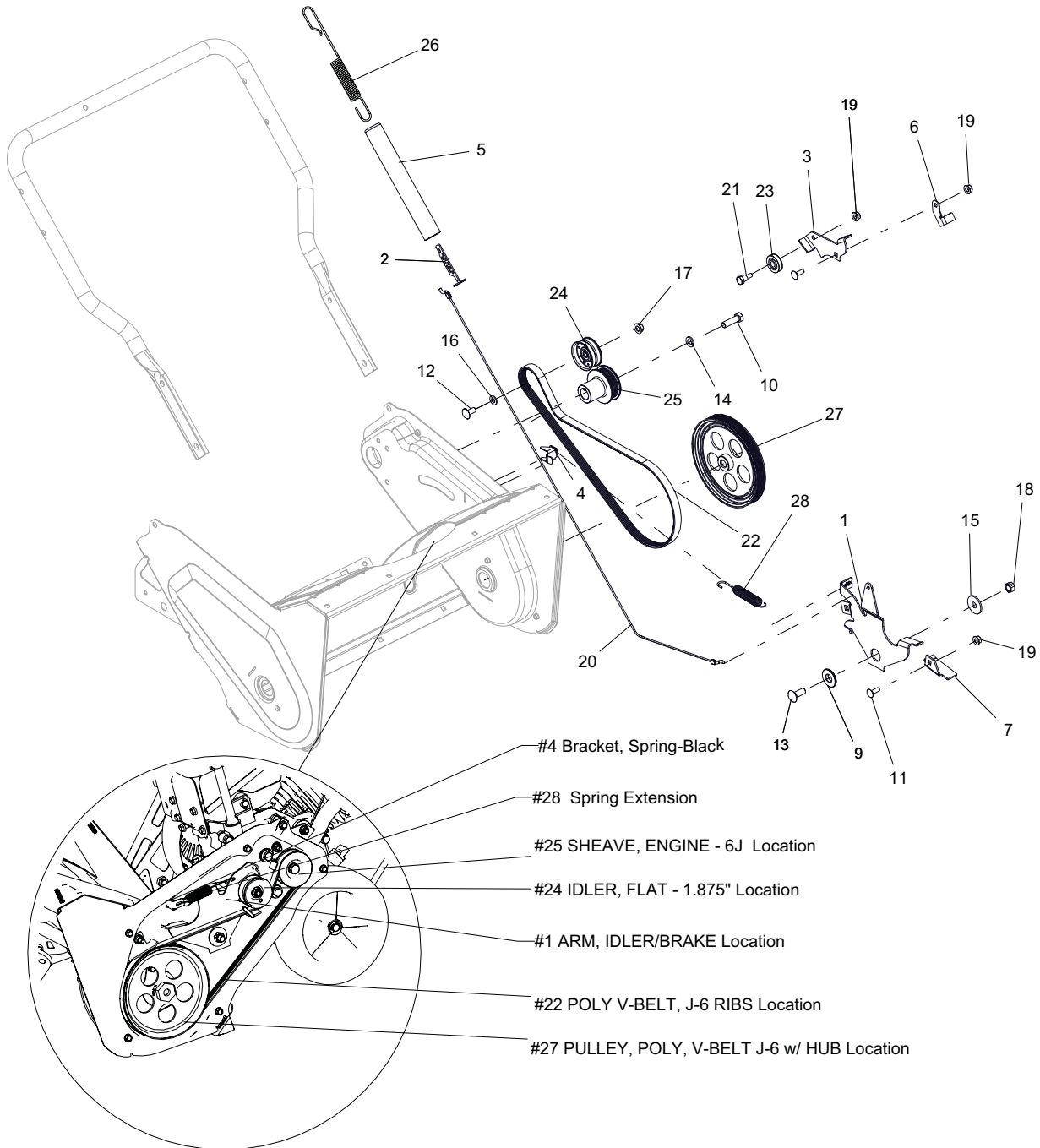


BOM ID	Number	Qty	Description
1	04523400	1	SHAFT, AXLE
2	06100216	2	SCR-TAP #12X.75 BOSS INDHXHD
3	04549900	1	ROD, COVER
4	04551800	1	COVER, BACK ELECTRIC START
5	04695351	1	TAB, LATCH
6	05710200	2	RG-RTNG-EXT .500X.042 (E)
7	05900019	4	BLT-HEX .25-20X.75 HWH YWZC GR5
8	04540400	1	DOOR, COVER SINGLE STAGE
9	06400003	1	WSHR-FL-STL .196X.500X.06 YWZC

BOM ID	Number	Qty	Description
10	06425300	2	WSHR-FL-STL .531X1.000X.063 YWZC
11	06800028	1	RVT-POP .187x.250 (#64) YWZC
12	07009000	4	NUT, RTNR .25-20 X .56
13	07149900	2	WHL 7.50" .50 BORE, 1.50 HUB
14	07400107	4	SCR-TAP #10X.500 BOSS INDHXHD
15	04523800	1	VENT, COVER RIGHT
16	04523700	1	VENT, COVER LEFT

DRIVE ASSEMBLY

Model All



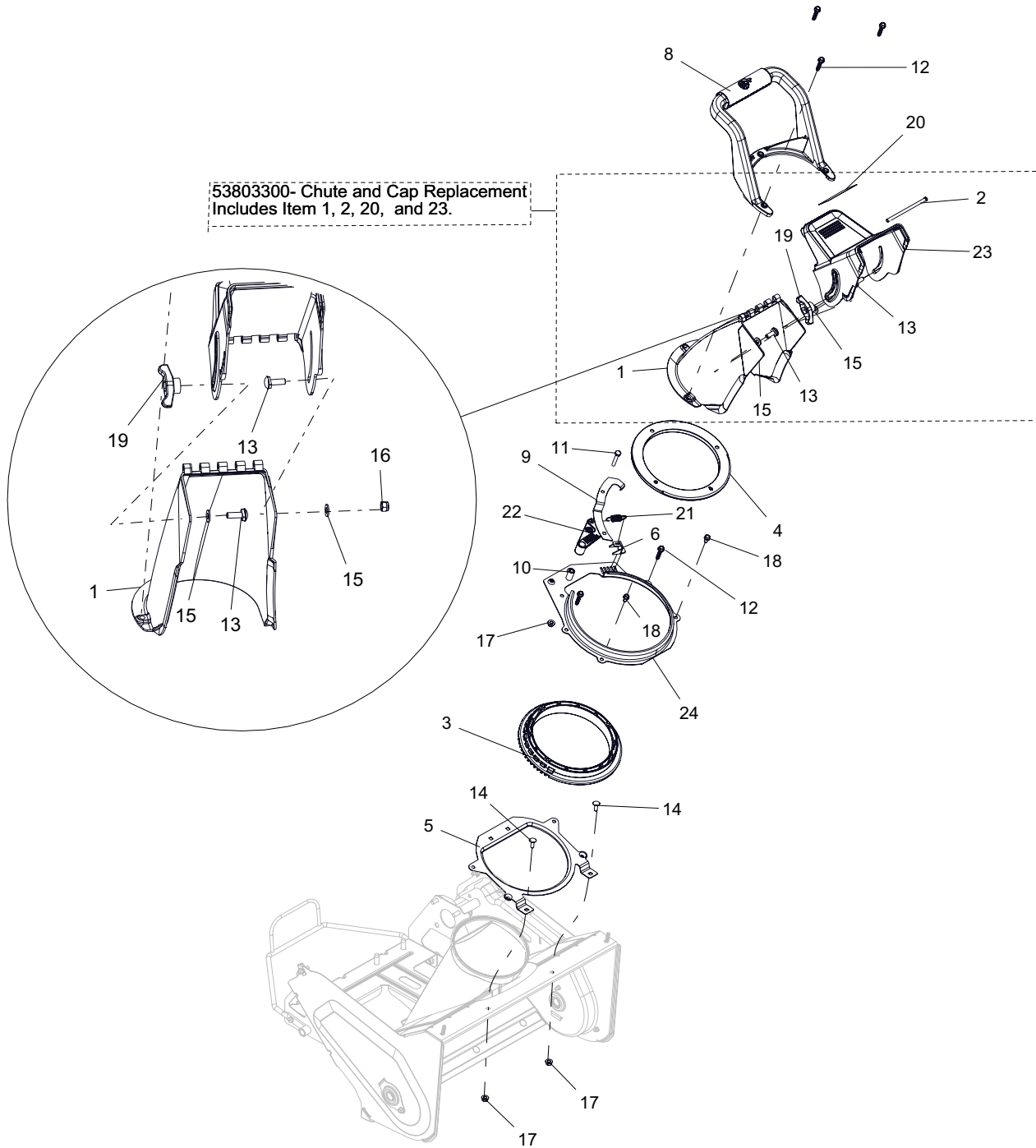
- #4 Bracket, Spring-Black
- #28 Spring Extension
- #25 SHEAVE, ENGINE - 6J Location
- #24 IDLER, FLAT - 1.875" Location
- #1 ARM, IDLER/BRAKE Location
- #22 POLY V-BELT, J-6 RIBS Location
- #27 PULLEY, POLY, V-BELT J-6 w/ HUB Location

BOM ID	Number	Qty	Description
1	04521500	1	ARM, IDLER/BRAKE
2	04528051	1	PLATE, CABLE ADJUSTMENT-BLACK
3	04540351	1	BRKT, CABLE PULLEY-BLACK
4	04553751	1	BRKT, SPRG-BLACK
5	04579400	1	COVER, CABLE SPRING
6	04656251	1	FINGER, BELT-BLACK
7	04671351	1	FINGER, BELT-BLACK
9	05501126	1	BSHG, FLANGED .555X.860X.220X1.250
10	05960700	1	BLT-HEX .38-24X1.25 YWZC GR5
11	06219900	2	BLT-RDHDSQNK .25-20X.75 G5 YWZC
12	06220800	1	BLT-RHDSSQNK .31-18X.75 G5YZ
13	06223600	1	BLT-RDHDSQNK .38-16X1.00 G5 YWZC
14	06308800	1	WSHR-LK .38X.094 REG YWZC
15	06400917	1	WSHR-FL-STL .406X1.25X.10 YWZC

BOM ID	Number	Qty	Description
16	06436700	1	WSHR-FL-STL .323X.625X.062 YWZC
17	06528700	1	NUT, LK-CTR-FLG .31-18 YWZC
18	06529600	1	NUT-LK-CTR .38-16 YWZC
19	06543500	3	NUT, LK-TOP-FLG .25-20 YWZC
20	06900533	1	CABLE, AUGER
21	07000021	1	BOLT, SHLDR -.375 X .375 X .25-20
22	07200627	1	POLY V-BELT, J-6 RIBS
23	07300012	1	PULLEY, CABLE
24	07338500	1	IDLER, FLAT - 1.875"
25	07339300	1	SHEAVE, ENGINE - 6J
26	08300539	1	SPRG, EXTENSION
27	07339500	1	PULLEY, POLY V-BELT J-6 W/HUB
28	08300611	1	SPRG, SWIVEL HOOK EXTENSION

MANUAL CHUTE

Model 938030, 031, 032, 034, 310



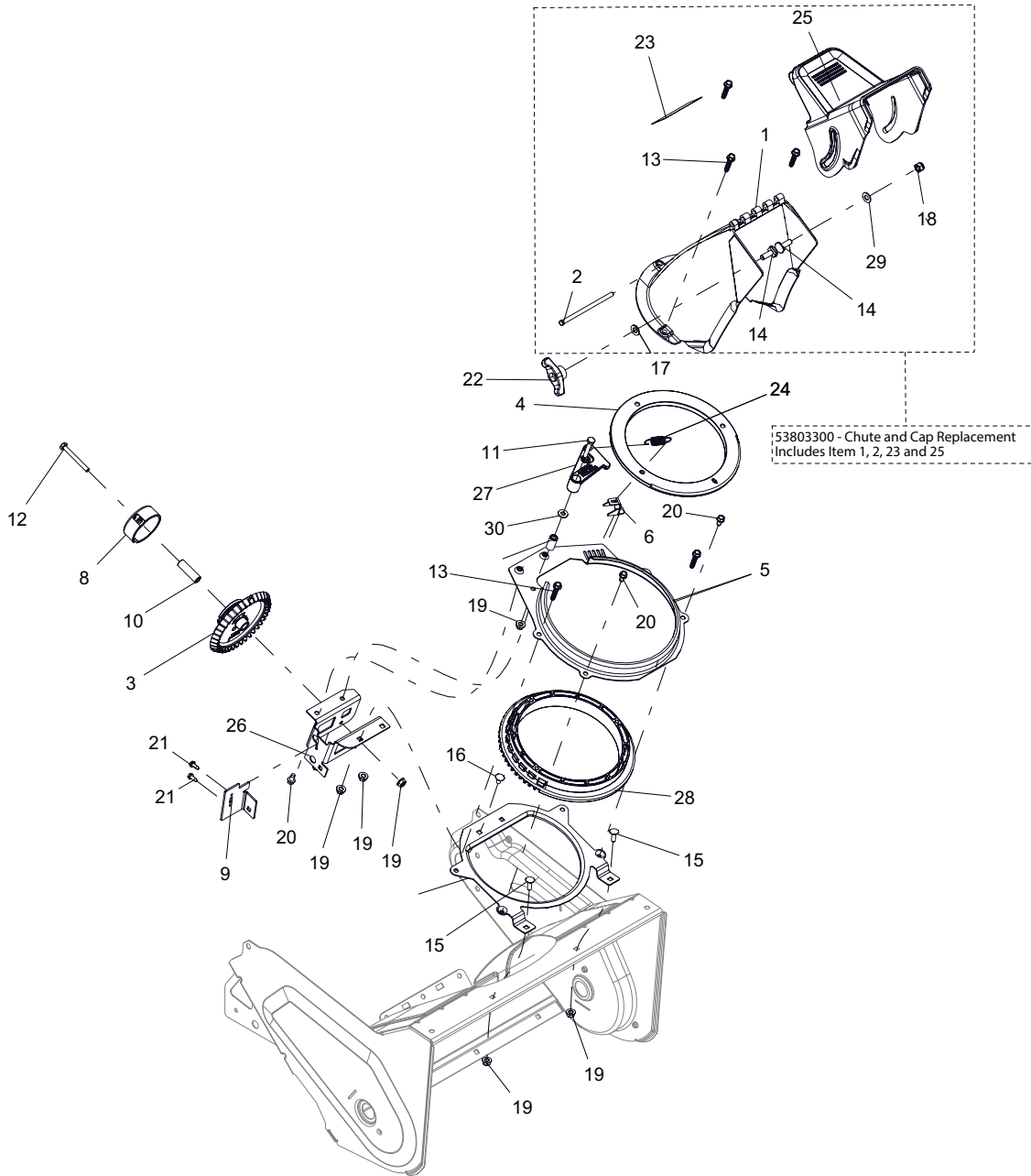
53803300- Chute and Cap Replacement
Includes Item 1, 2, 20, and 23.

BOM ID	Number	Qty	Description
1	04523900	1	CHUTE, DISCHARGE
2	04545600	1	PIN, CHUTE DEFLECTOR
3	04549400	1	GEAR, CHUTE RING
4	04550000	1	GUARD, WATER
5	04552651	1	RING, CHUTE MOUNT - LOWER-BLACK
6	04553751	1	BRKT, SPRG-BLACK
8	04561900	1	HANDLE, CHUTE MANUAL
9	04663551	1	PAWL, ARM STOP-BLACK
10	05501131	1	BSHG, SLV .265X.505X.995
11	05952500	1	BLT-HEX .25-20X1.50 GR5 YWZC
12	06100214	5	SCR-PLASTITE .25-10X1.250 YWZC
13	06200212	2	BLT, CARRIAGE T-NECK

BOM ID	Number	Qty	Description
14	06219900	2	BLT-RDHDSONK .25-20X.75 G5 YWZC
15	06437200	2	WSHR-FL-STL.344X.688X.065 YWZC
16	06530200	1	NUT-LK-NYL .312-18 YWZC
17	06543500	3	NUT, LK-TOP-FLG .25-20 YWZC
18	07400034	2	SCR-TAP .25-20X.50 HWH TR YWZ
19	07500105	1	KNOB, WING .31-18 UNC NYL/TALC
20	08000520	1	DECAL, DANGER
21	08300532	1	SPRG, EXTENSION
22	53803800	1	ARM, PAWL
23	53803400	1	CAP, CHUTE
24	04552751	1	RING, CHUTE MOUNT - UPPER-BLACK

REMOTE CHUTE

Model 938033, 313

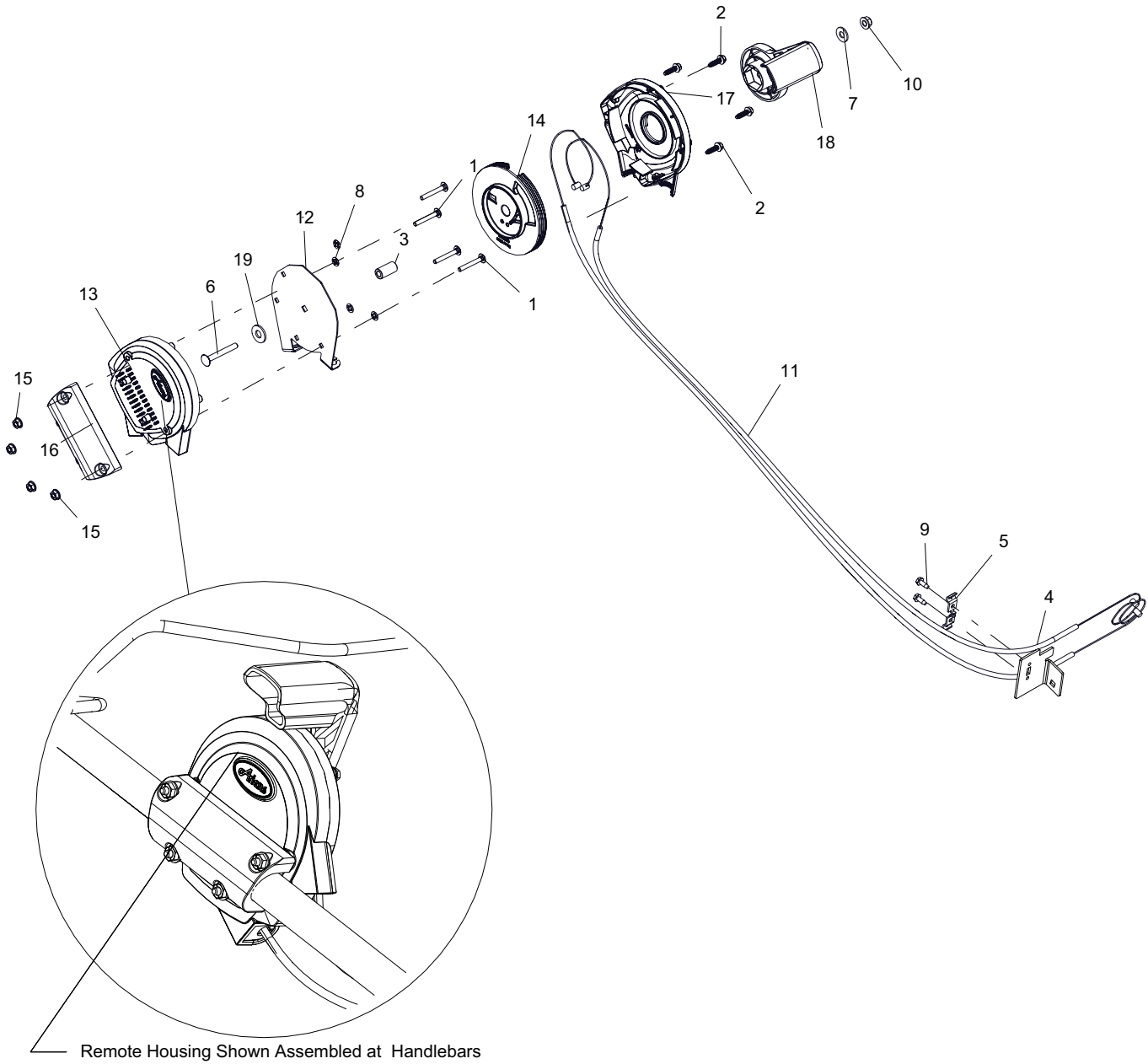


BOM ID	Number	Qty	Description
1	04523900	1	CHUTE, DISCHARGE
2	04545600	1	PIN, CHUTE DEFLECTOR
3	04549700	1	GEAR, CHUTE
4	04550000	1	GUARD, WATER
5	04552751	1	RING, CHUTE MOUNT - UPPER-BLACK
6	04553751	1	BRKT, SPRG-BLACK
8	04582000	1	SHROUD, CHUTE SPOOL
9	04584951	1	BRKT, CABLE ANCHOR-BLACK
10	05501130	1	BSHG, SLV .265X.505X1.665
11	05952500	1	BLT-HEX .25-20X1.50 GR5 YWZC
12	05956700	1	BLT-HEX .25-20X2.25 GR5 YWZC
13	06100214	5	SCR-PLASTITE .25-10X1.250 YWZC
14	06200212	2	BLT, CARRIAGE T-NECK
15	06219900	2	BLT-RDHDSQNK .25-20X.75 G5 YWZC
16	06220600	1	BLT-RDHDSQNK .25-20X.50 G5 Y

BOM ID	Number	Qty	Description
17	06437200	1	WSHR-FL-STL.344X.688X.065YWZC
18	06530200	1	NUT-LK-NYL .312-18 YWZC
19	06543500	6	NUT, LK-TOP-FLG .25-20 YWZC
20	07400034	4	SCR-TAP .25-20X.50 HWH TR YWZ
21	07415800	2	SCR-TAP 10-24X.50 HWH TR YWZC
22	07500105	1	KNOB, WING .31-18 UNC NYL/TALC
23	08000520	1	DECAL, DANGER
24	08300532	1	SPRG, EXTENSION
25	53803400	1	CAP, CHUTE
26	04584851	1	BRKT, BEVEL GEAR-BLACK
27	53803800	1	ARM, PAWL
28	04549400	1	GEAR, CHUTE RING
29	06437200	1	WSHR-FL-STL.344X.688X.065YWZC
30	06437300	1	WSHR-FL-STL.281X.62X.065 YWZC

REMOTE CHUTE: REMOTE ASSEMBLY

Model 938033, 313

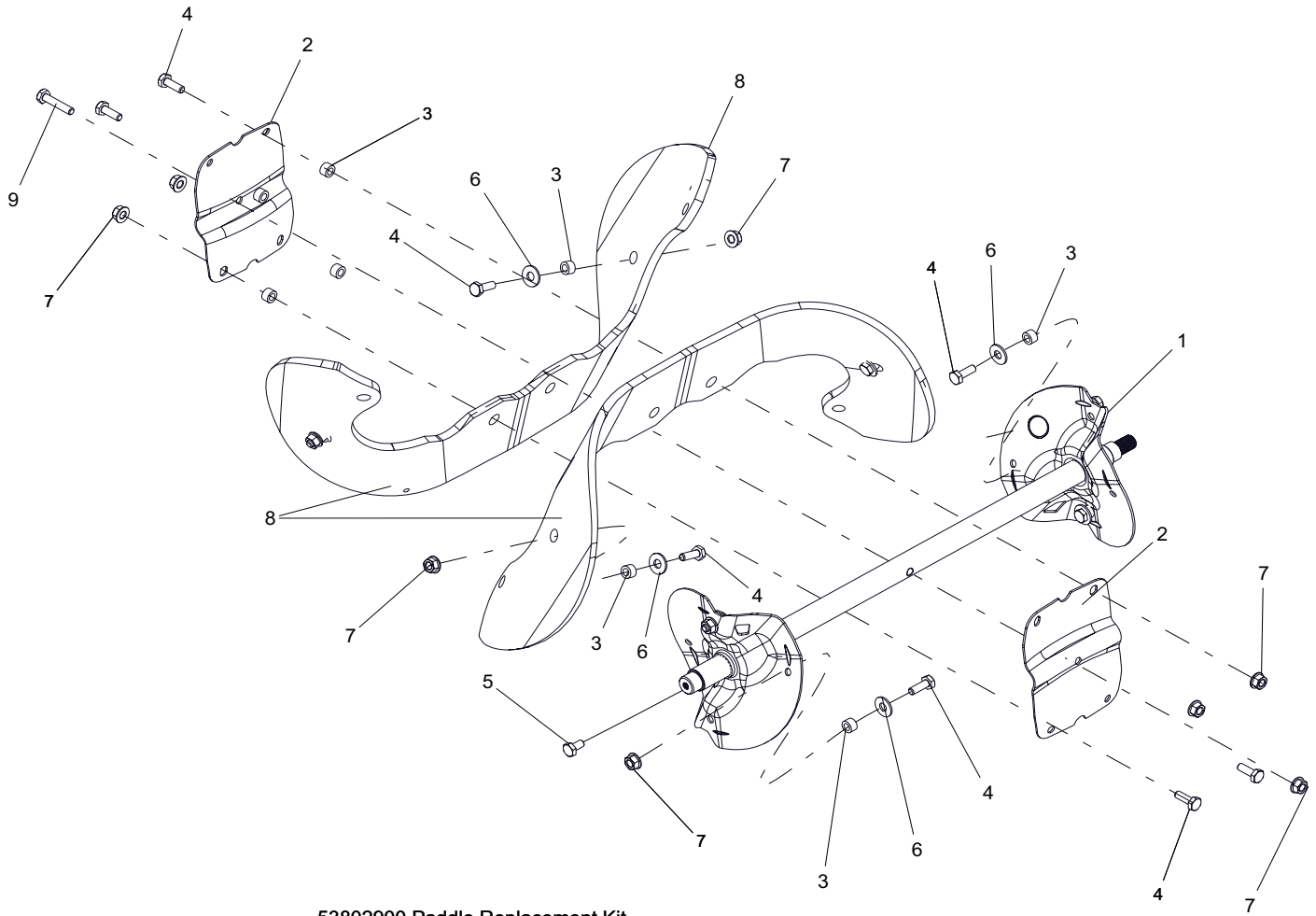


BOM ID	Number	Qty	Description
1	06200215	4	BLT-RDHDSQNK #10-22X1.50 G2 Y
2	06100216	4	SCR-TAP #12X.75 BOSS INDHXHD
3	05501131	1	BSHG, SLV .265X.505X.995
4	04584951	1	BRKT, CABLE ANCHOR-BLACK
5	06928000	2	CLIP, CABLE
6	06222900	1	BLT-RDHDSQNK .25-20X2.00 G5Y
7	06435800	1	WSHR-FL-STL.312X.734X.065 YWZ
8	06500714	1	NUT, PUSH #10
9	07415800	2	SCR-TAP 10-24X.50 HWH TR YWZC
10	06543500	1	NUT, LK-TOP-FLG .25-20 YWZC

BOM ID	Number	Qty	Description
11	06900536	1	CABLE, CHUTE
12	04636051	1	FRAME, REMOTE CHUTE CONTROL-BLACK
13	04595800	1	REMOTE, RH HOUSING
14	04590300	1	PULLEY, 4.25" POLY
15	06500712	4	NUT, LK-TOP-FLG #10-24 YWZC
16	04595900	1	REMOTE, BRKT
17	04595700	1	REMOTE, LH HOUSING
18	04595600	1	REMOTE, HANDLE
19	06435700	1	WSHR-FL-STL.38X.875X.083 YWZC

AUGER

Model All



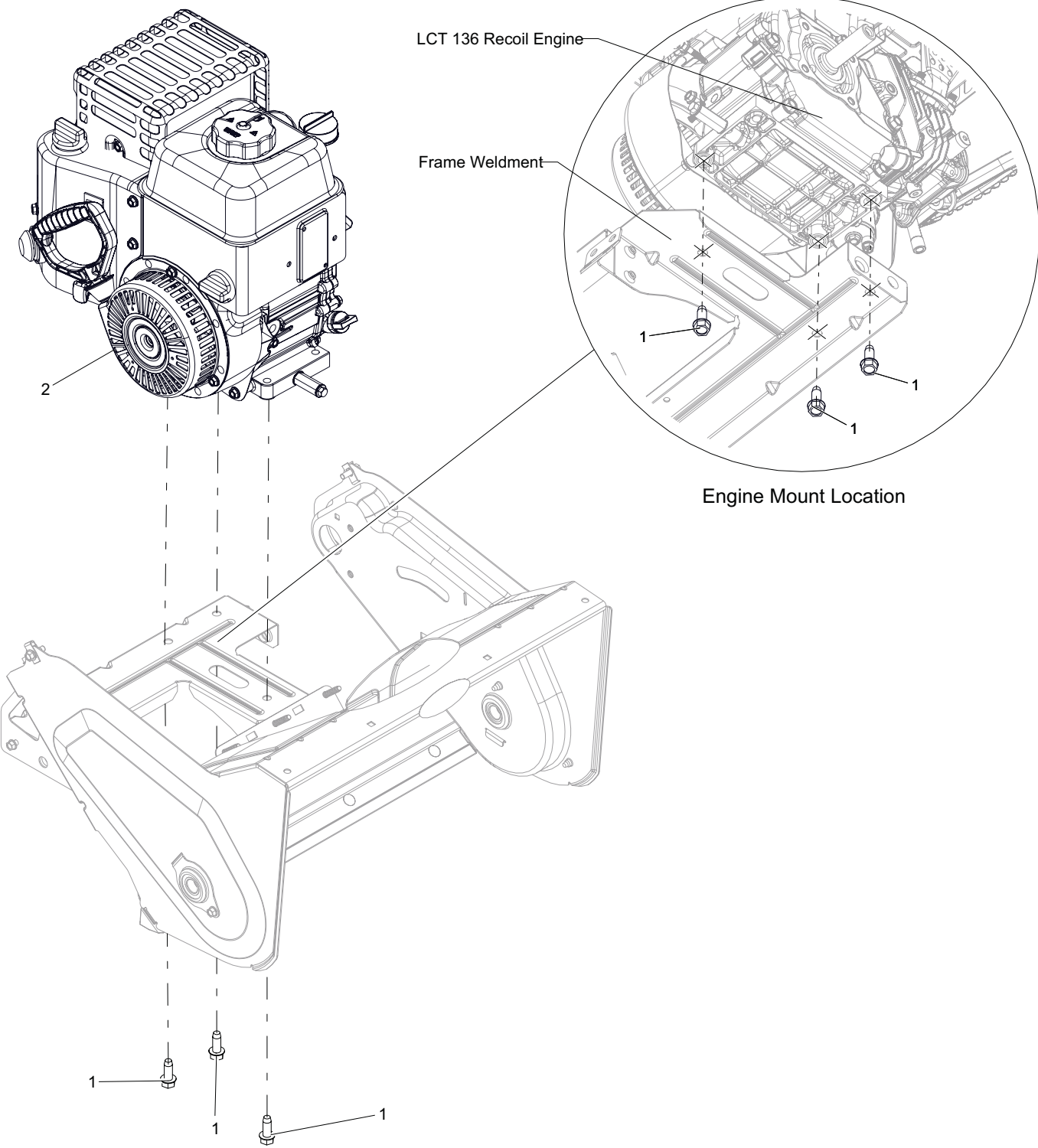
53802900 Paddle Replacement Kit
Includes Items 3, 4, 6, 7, 8

BOM ID	Number	Qty	Description
1	04557951	1	AUGER, WELD-BLACK
2	04763151	2	AUGER, CENTER PLATE
3	05501121	12	BSHG-SLV .261X.44X.25
4	05946800	12	BLT-HEX .25-20X.75 GR5 YWZC
5	05947900	1	BLT-HEX .25-20X.50 GR5 YWZC

BOM ID	Number	Qty	Description
6	06435800	8	WSHR-FL-STL.312X.734X.065 YW Z
7	06543500	13	NUT, LK-TOP-FLG .25-20 YWZC
8	53802900	1	KIT, PADDLE REPLACEMENT (SET)
9	05947400	1	BLT-HEX .25-20X1.25 GR5 YWZC

ENGINE MOUNTING

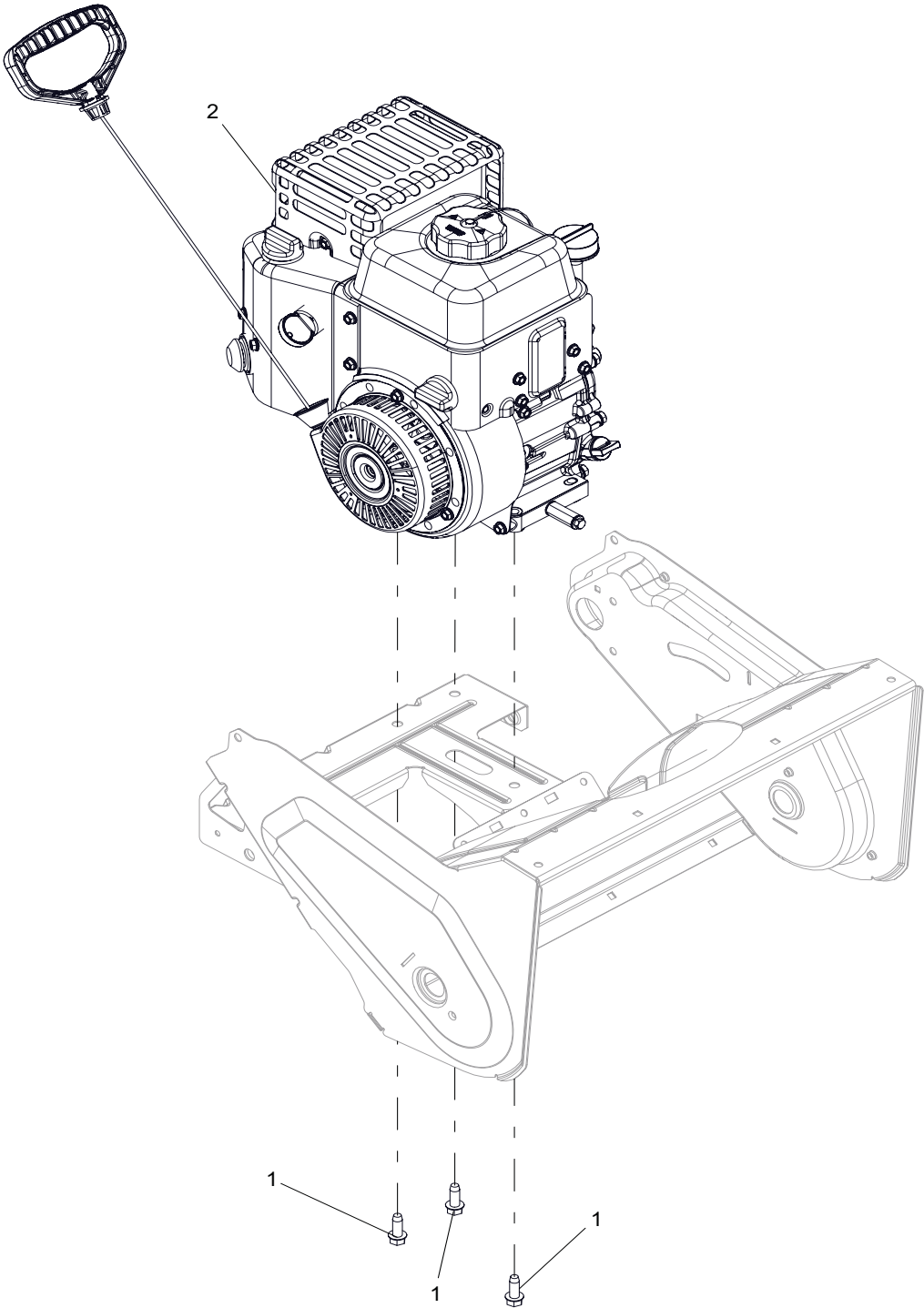
Model 938030



BOM ID	Number	Qty	Description
1	07414100	3	SCR-TAP .38-16X1.00 HWH TR YZ
2	08200832	1	LCT 136CC

ENGINE MOUNTING

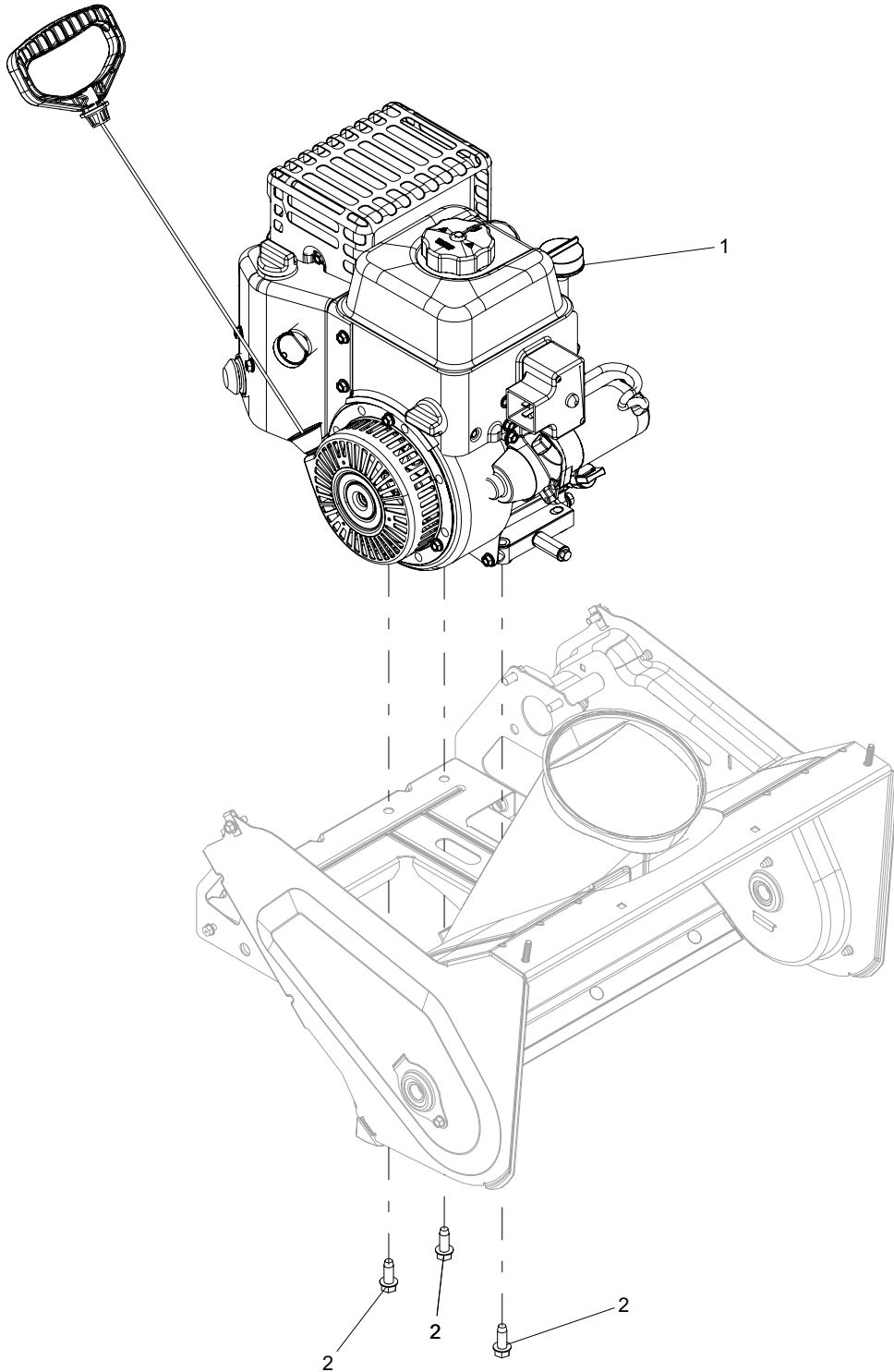
Model 938031



BOM ID	Number	Qty	Description
1	07414100	3	SCR-TAP .38-16X1.00 HWH TR YZ
2	08200833	1	ENGINE, ARIENS AX208 RECOIL

ENGINE MOUNTING

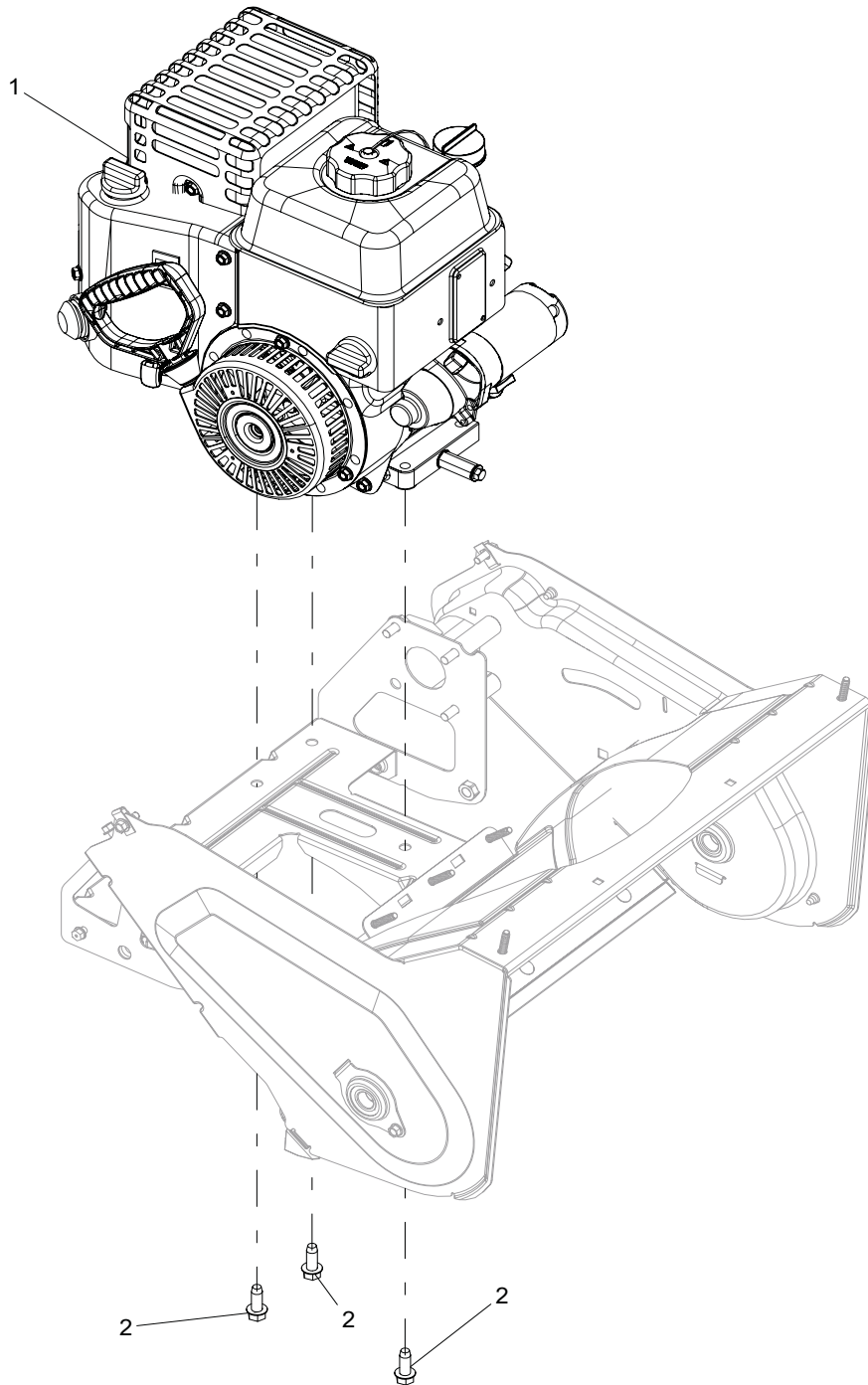
Model 938032, 033



BOM ID	Number	Qty	Description
1	08200834	1	ENGINE, ARIENS AX208 ES
2	07414100	3	SCR-TAP .38-16X1.00 HWH TR YZ

ENGINE MOUNTING

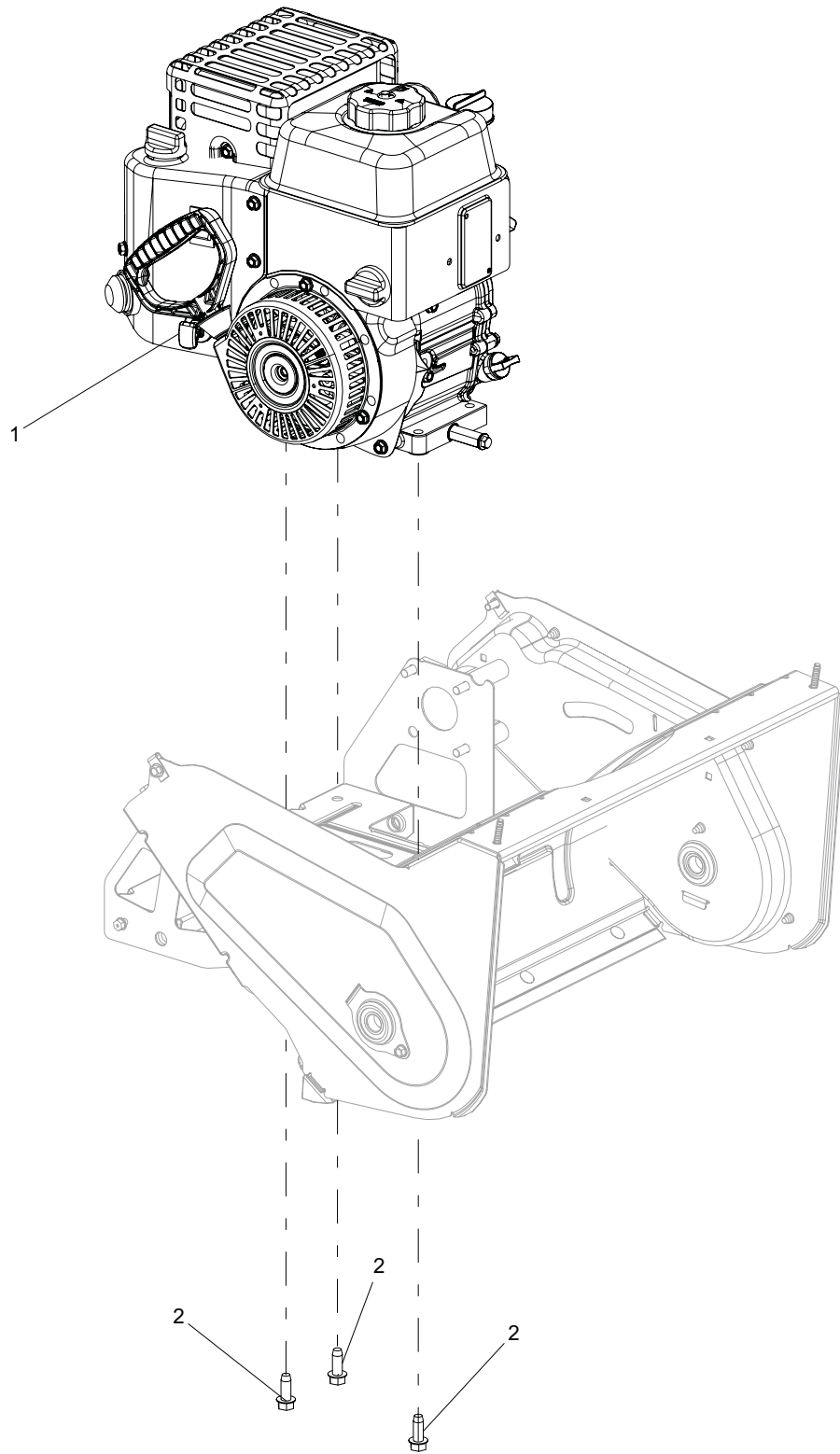
Model 938034



BOM ID	Number	Qty	Description
1	08200906	1	ENGINE, ARIENS AX136 ES
2	07414100	3	SCR-TAP .38-16X1.00 HWH TR YZ

ENGINE MOUNTING

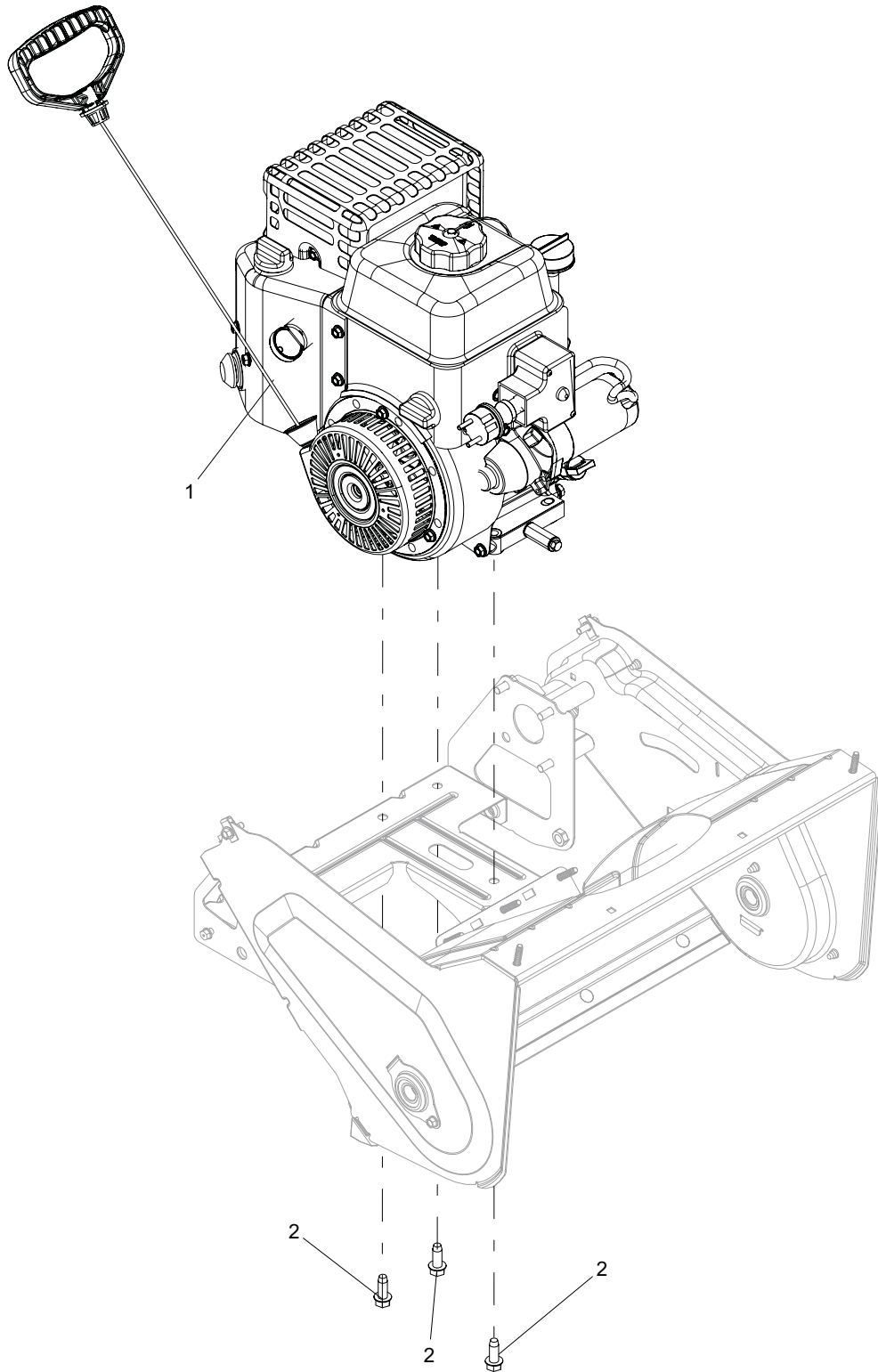
Model 938310



BOM ID	Number	Qty	Description
1	08200835	1	ENGINE, ARIENS AX136 RECOIL CE
2	07414100	3	SCR-TAP .38-16X1.00 HWH TR YZ

ENGINE MOUNTING

Model 938313



BOM ID	Number	Qty	Description
1	08200837	1	ENGINE, ARIENS AX208 ES CE
2	07414100	3	SCR-TAP .38-16X1.00 HWH TR YZ



THE KING OF SNOW®

Ariens
655 West Ryan Street
Brillion, WI 54110
920-756-4688
Fax 920-756-2407
www.ariens.com

An *Ariens* Company Brand