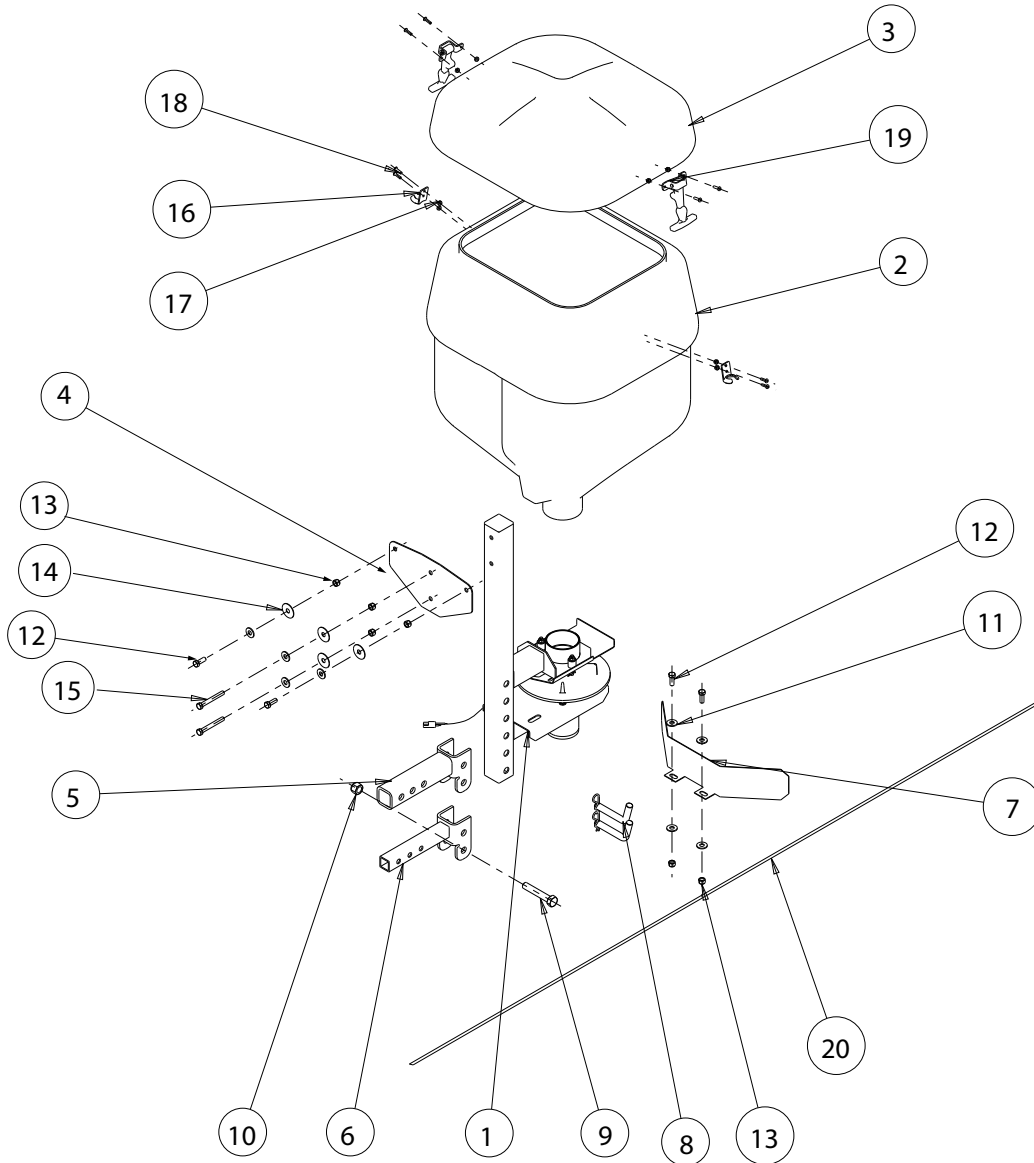


Fig. 1



Bill of Materials

ITEM	PART NO.	QTY.	DESCRIPTION
1	3017105	1	Motor and Frame Assy., TGSUV1A
2	3013283	1	Hopper, w/ Insert & Graphics, Assy., TGSUV1
3	3003571	1	Lid, TGSUV1
4	3015788	1	Retainer Hopper
5	3004589	1	Rec. Mount, Swing Down, TGSUV1 Weldment
6	3004590	1	Rec. Mount, 1-1/4, Fold Down, Weldment, TGSUV1
7	3005977	1	Shield, Spinner, TGSUV1A
8	HP6235WCCP	2	Hitch Pin w/ HP Cotter, Chrome
9	-	1	Screw, HH Cap 5/8-11 x 3.5 GR 5 ZN
10	-	1	Nut, Nylock 5/8-11

ITEM	PART NO.	QTY.	DESCRIPTION
11	-	8	Washer, Flat 3/8 USS SST
12	-	4	Screw, HHC 3/8-16 x 1 304 SST
13	-	6	Nut, Nylock 3/8-16 x 7/16 SST
14	-	4	Washer, Flat, 3/8 x 1.5
15	-	2	Screw, HH 3/8-16 x 4 SST
16	3000626P	2	Keeper, Latch
17	-	8	Nut, Nylock 10-24
18	-	8	Screw BHC 10.24 x .75
19	3002982	2	Strap, Hood Catch, Black
20	3001152	1	Harness, Wire Complete TGS

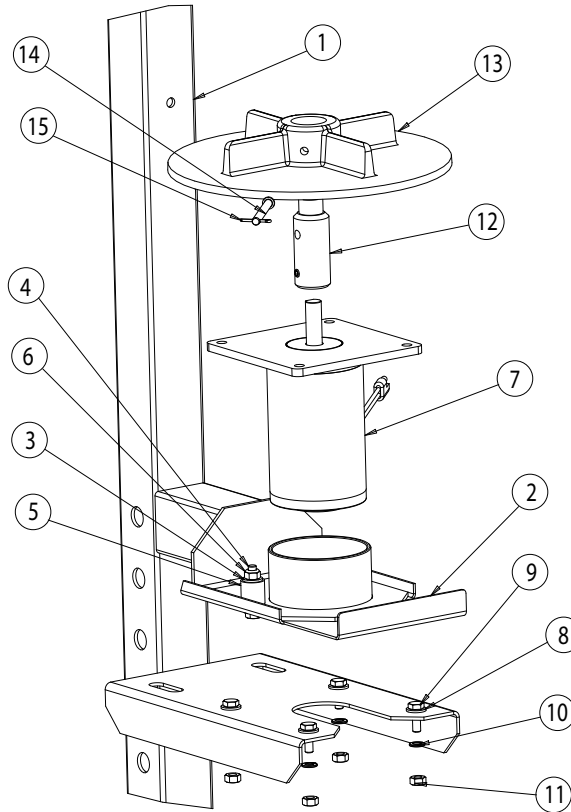


Fig. 2

HOPPER & RETAINER

See Fig.1 on pg. 2

Slide the hopper onto the sleeve below until the holes in the hopper line up with the holes in the frame tube. Install hopper retainer (4) using two 3/8-16 x 3 hex cap screws (15) and two 3/8-16 x 1 hex cap screws (12) from the outside of the retainer through the retainer, tube and hopper. Install 4 large flat washers (14) inside hopper and 4 smaller 3/8 flat washers (11) outside retainer. Secure hopper to frame with 4 3/8-16 nuts (13). Install the cover latch keepers (16) onto the hopper using #10-24 socket head screws (18) and nuts (17). Make sure the keeper (16) is facing down with the screws on top and that the screw head is on the outside and the nuts are on the inside. Install the cover latches (19) onto the cover using #10-24 socket head screws and nuts. Insert the screw thru the inside of the cover so that the nuts are on the outside of the cover.

Bill of Materials

ITEM	PART NO.	QTY.	DESCRIPTION
1	3005473	1	Frame, Welded, TGSUV1A w/Sleeve
2	3007502	1	Gate, Flow Adjuster, TGSUV1B
3	30081391	4	Washer, Flat 1/4 SAE SST
4	-	2	Screw, HHC - 1/4-20 x 1-1/2 SS
5	3007508	2	Spring, Gate, TGSUV1
6	-	2	Nut, Nylon Insert 1/4-20 SST
7	3005693	1	Motor, 12VDC, 1000 RPM, 1/8 HP w/SAE Conn.
8	-	4	Washer, Flat 1/4 SAE, Zinc/Clear
9	-	4	Screw, Cap 1/4-20 x 3/4 SST
10	-	4	Washer, 1/4 in. Spring Lock SST
11	-	4	Nut, Hex 1/4-20 SST
12	3007809	1	Hub, Spinner, TGSUV1 w/Set Screw Installed
13	3005705	1	Spinner, Poly, TGSUV1
14	1420014	1	Pin Clevis, 1/4 x 2.5
15	-	1	Cotter Pin, 5/64 x 3/4