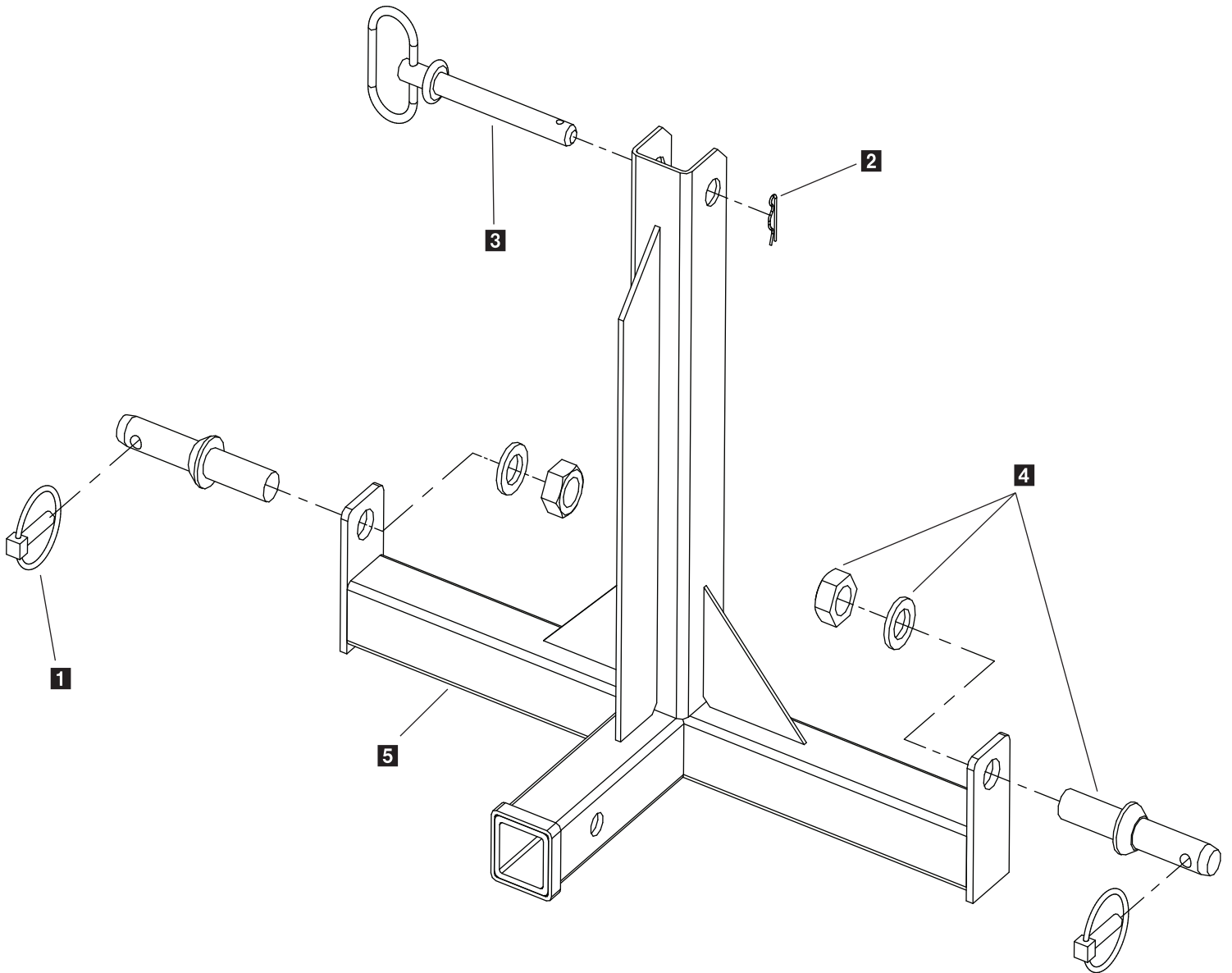


Three-Point Mount Parts Breakdown

Model #TPM-175



| Key | Part No. | Description | Qty. |
|-----|----------|----------------------------|------|
| 1 | D 4133 | 5/16" Lynch Pin | 2 |
| 2 | D 4135 | 2-5/16" Hairpin Clip | 1 |
| 3 | D 4136 | 5/8" x 5-1/2" Hitch Pin | 1 |
| 4 | D 4137 | 7/8" x 5-1/2" Lift Arm Pin | 2 |
| 5 | D 6147 | Three Point Frame | 1 |

CAUTION: MAXIMUM OF 240 LBS. GROSS WEIGHT CAN BE PUT ONTO MOUNT.