

### GENERAL PURPOSE PARTS

MODEL	LT	RD	HD	SW	PP 8100	PP 8611
KIT, ALL BLADE LABEL	84640	84641	84642	84643	84644	84645
LABEL, BLADE CENTER	77701	77702	77703	77704	77708	
KIT, LABEL BLACK IRON	84646		84647			
COVER, HYDRAULICS	84648		84649	84650	84651	
KIT, COTTER (10) / R PIN (4) FLOW PACK	84612					
KIT, GREASE ZERK (3 PACK)	84616					



MODEL	KIT, PIN ANGLE	KIT, PIN ANGLE
	RAM ROD END	RAM BASE END
LT	84628	
RD	84633	84634
HD/SW/PP	41122	

### COMMON BLACK IRON & BLADE PARTS

MODEL	QUAD
LT	84573
RD	84574
HD	84576
SW	84577
8100 PP	84578
8611 PP	84579

MODEL	KIT, A-FRAME TO QUAD HDW
LT	84629
RD	69494
HD/SW/PP	41146

MODEL	A-FRAME
LT	84587
RD	84588
HD	84589
SW	84590
PP	84591

MODEL	SPRING
LT	B61167
RD/HD/SW/PP	23039

MODEL	KIT, PIN LIFT RAM ROD	KIT, PIN LIFT RAM BASE
LT/RD	84627	84626
HD/SW/PP		84632

MODEL	KIT, HARDWARE STAND	KIT, STAND
LT	84615	84592*
RD/HD/SW/PP		84593*

\* INCLUDES 84615

MODEL	KIT, PIN A-FRAME / HEADGEAR
LT/RD	84618
HD/SW/PP	84623

MODEL	KIT, RECEIVER PIN
LT	84610
RD/HD/SW/PP	84611

MODEL	DS RECEIVER	PS RECEIVER
LT*	84604	84605
RD**	84606	84607
HD/SW/PP**	84608	84609

\* INCLUDES 84610  
\*\* INCLUDES 84611

MODEL	HEADGEAR*	KIT, GREASE ZERK (3 PACK)
LT	84617	84616
RD	84620	
HD/SW/PP	84622	

\* INCLUDES GREASE ZERKS

MODEL	KIT, PIN LINK ARM JACK STAND
LT	84602
RD/HD/SW/PP	84601

### CONTROLS / MODULES

MODEL	CONTROL HH	CONTROL JOYSTICK	MODULE
LT/RD/HD/SW	84400	84450	52292
PP	84455	84460	

MODEL	BLADE
6800 LT	84554
7200 LT	84556
7600 RD	84557
8000 RD	84558
7600 HD	84567
8000 HD	84566
8600 HD	84565
9000 HD	84564
8100 PP	84568
8611 PP	84569
8600 SW	84559

MODEL	KIT, EYE BOLT
LT/RD/HD/SW	84702
PP	84701

MODEL	KIT, QUAD TO BLADE HDW
LT	84631
RD	84631
HD	41123
SW	42388
PP	41123

MODEL	STEEL CE KIT*	CE HDW KIT
6800 LT 1/4"	B61458	B61457
7200 LT 1/4"	B61531	
7600 RD 5/16"	84445	69426
8000 RD 5/16"	84467	
7600 RD 3/8"	42417	
8000 RD 3/8"	40552	
8000 RD 1/2"	40597	48765
7600 HD 1/2"	40695	
8000 HD 1/2"	40696	
8600 HD 1/2"	40697	
9000 HD 1/2"	40698	B61255
8100 PP 1/2"	B52067	
8611 PP 1/2"	B52095	
8600 SW 1/2"	B61648	

\* INCLUDES CE HDW KIT

MODEL	KIT, BLADE GUIDE
ALL	84525

MODEL	CHANNEL, LIGHT BAR
LT/RD	84619
HD/SW/PP	84624

MODEL	KIT, BOLT
ALL	84635

MODEL	KIT, HDW	KIT, ATTACH HANDLE
LT	84596	84594*
RD		84794*
HD/SW/PP		84595*

\* INCLUDES 84596

MODEL	LINK ARM
LT	84597
RD	84598
HD/SW/PP	84599

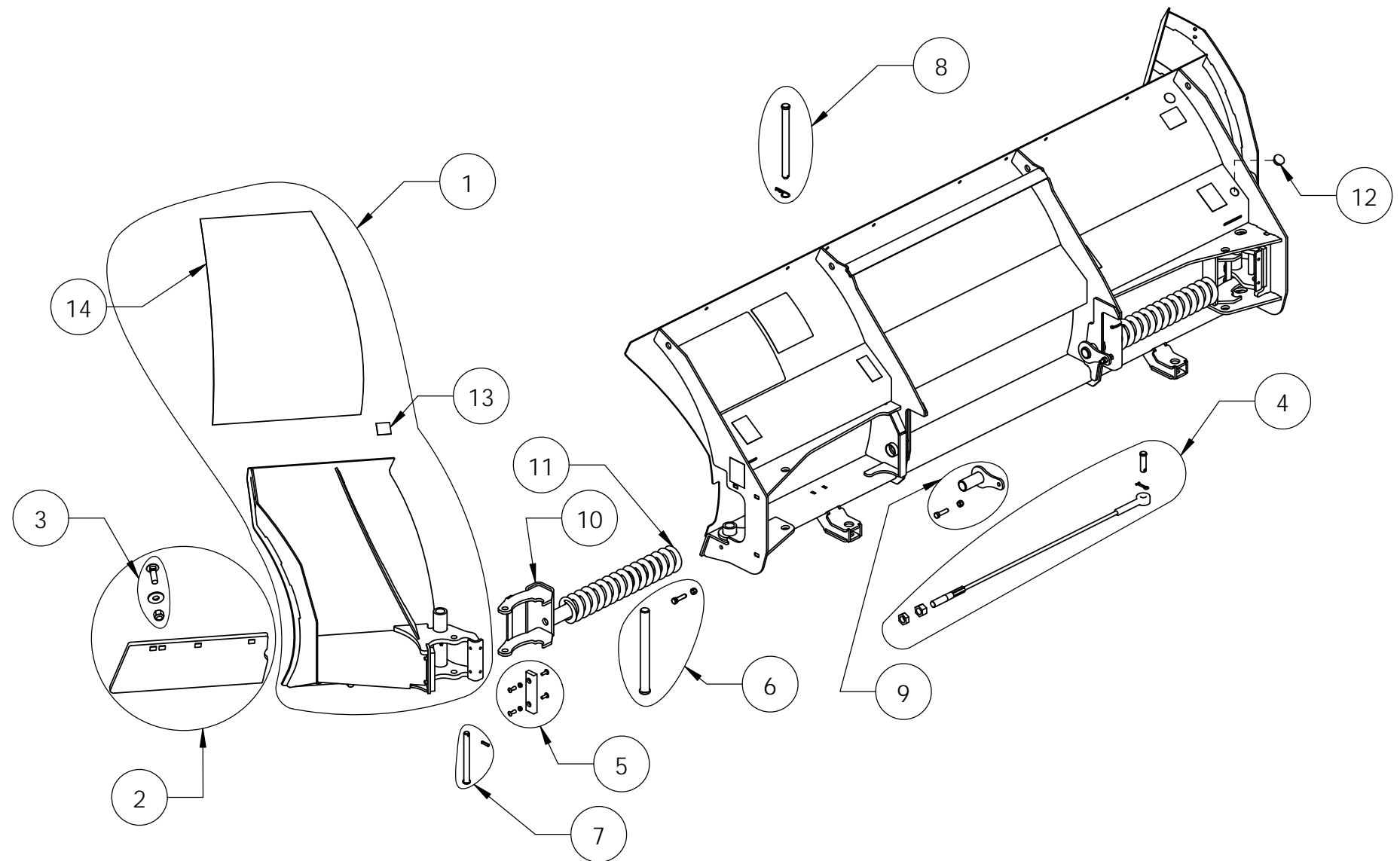
MODEL	KIT, PIN LINK ARM MOUNTING
LT	84602
RD/HD/SW/PP	84603

HYDRAULICS							
MODEL	MANIFOLDS		RAMS			FITTINGS	
	MANIFOLD W/O VALVES	SECONDARY MANIFOLD W/O VALVES	LIFT	ANGLE	WING	ANGLE & LIFT RAM BASE	LIFT RAM ROD
LT	52257		84430	84426		40571	40572
RD			84424	84427			
HD	52256		84420	84421		40571	40571
SW	52258	52262					
PP 8100	52259	52261			43803		
PP 8611					43802		



# SPEEDWING™

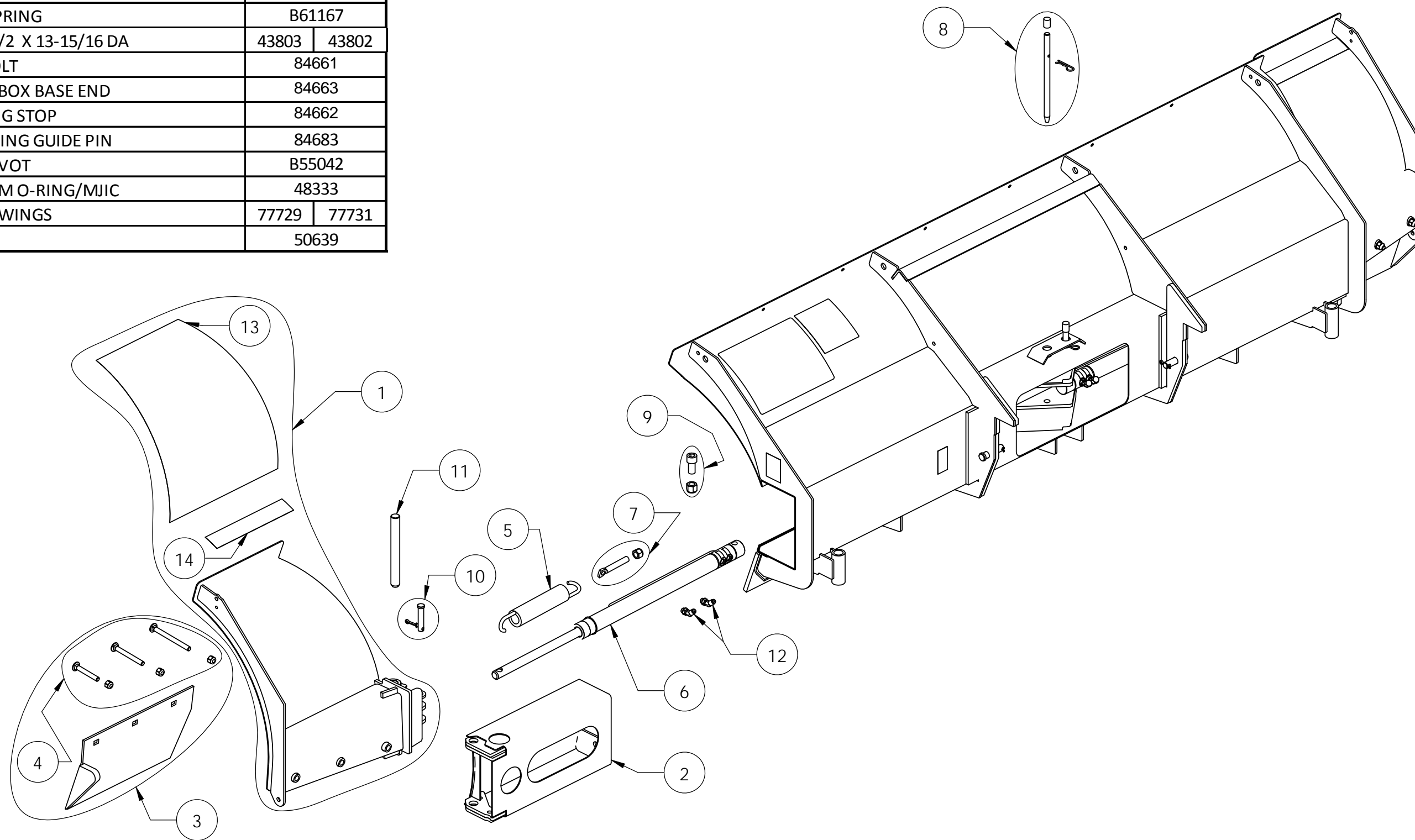
BALLOON	DESCRIPTION	P/N
1	DS WING	84652
NS	PS WING	84653
2	KIT, WING CUTTING EDGE DS AND PS	42383
3	KIT, WING CUTTING EDGE HARDWARE	84684
4	KIT, SX SW CABLE ASSEMBLY W/ HARDWARE	42389
5	KIT, BUMPER	42395
6	KIT, HINGE PIN	42396
7	KIT, SPRING GUIDE PIN	42397
8	KIT, WING LOCK PIN SET	42401
9	KIT, PIVOT PIN	42388
10	SPRING GUIDE DS	42392
NS	SPRING GUIDE PS	42393
11	COMPRESSION SPRING	42725
12	PLUG-FINISHING 1.00"	B61614
13	WEAR STRIP - WING TOP	43528
14	KIT, LABEL SPEEDWING WINGS	77728



BALLOON	DESCRIPTION	8100 PP	8611 PP
1	DS PP WING	84654	84656
NS	PS PP WING	84655	84657
2	DS SLIDEBOX	84658	
NS	PS SLIDEBOX	84659	
3	KIT, SX PP WING CUTTING EDGE	B51104	B61687
4	KIT, SX PP WING CUTTING EDGE HARDWARE	B61431	
5	EXTENSION SPRING	B61167	
6	RAM ASSY 1-1/2 X 13-15/16 DA	43803	43802
7	KIT, SPADE BOLT	84661	
8	KIT, PIN SLIDEBOX BASE END	84663	
9	KIT, SHCS WING STOP	84662	
10	KIT, SX PP SPRING GUIDE PIN	84683	
11	PIN - WING PIVOT	B55042	
12	ELBOW 45° - 6M O-RING/MJIC	48333	
13	KIT, LABEL PP WINGS	77729	77731
14	WEAR STRIP	50639	



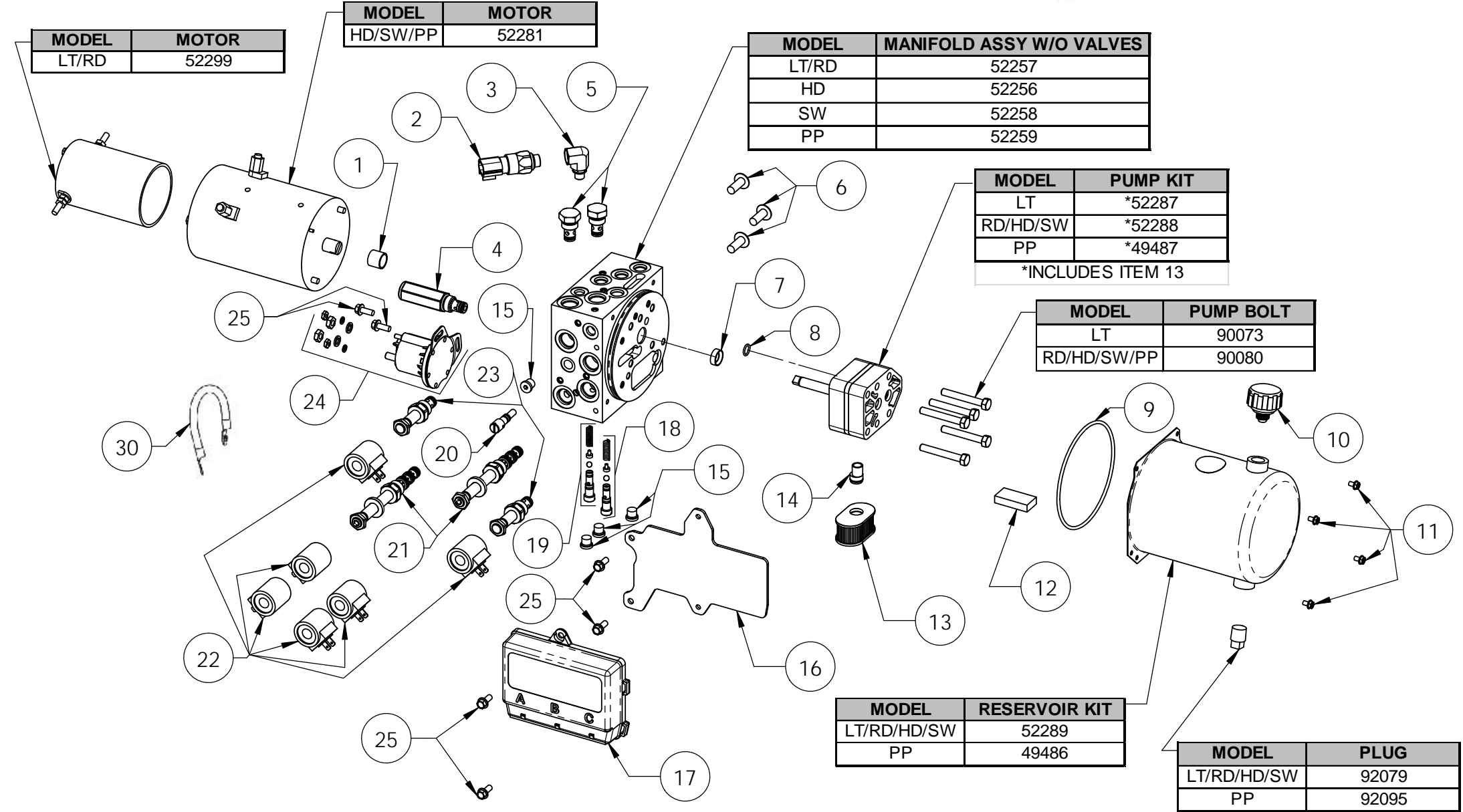
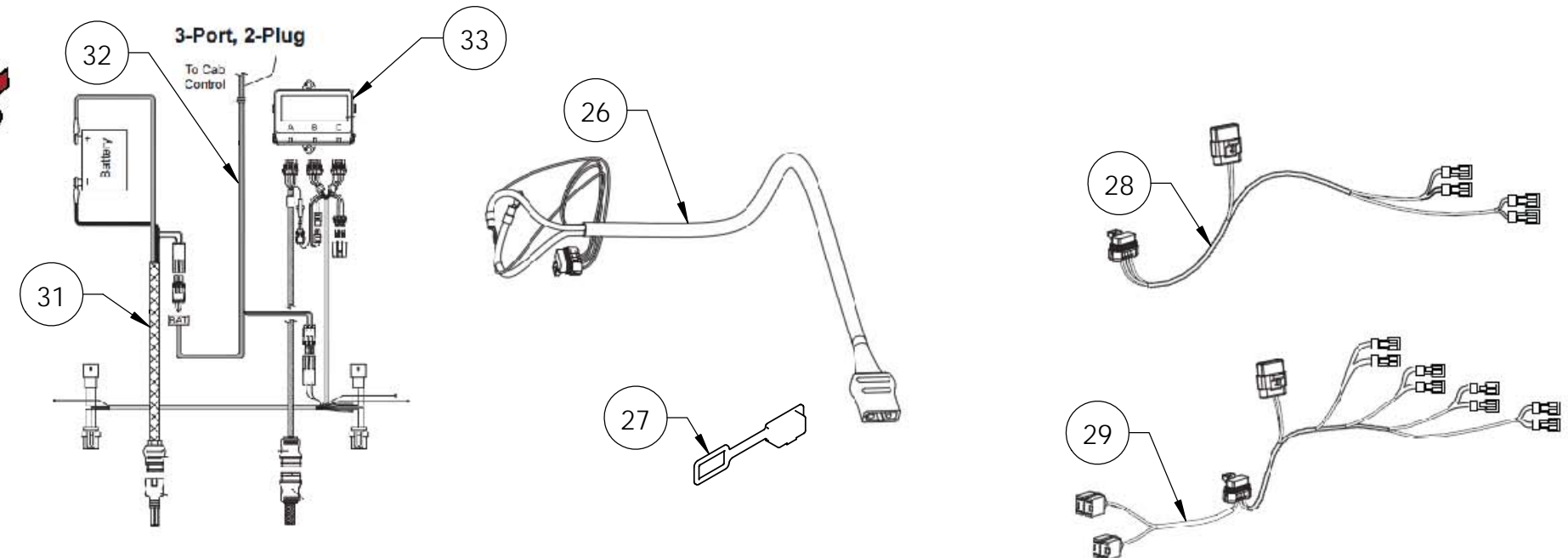
# POWER PLOW™



# COMMON HYDRAULIC UNIT PARTS



PARTS USED IN HD/SW/PP/RD/LT		
BALLOON	DESCRIPTION	P/N
1	BEARING SLEEVE	56364
NS	MOTOR BEARING SLEEVE REPAIR KIT	52251
2	PRESSURE SWITCH	52296
3	ELBOW 90DEG -4 M ORB, -6 F ORB	52295
4	RELIEF VALVE	42889
5	CHECK VALVE	48287
6	3/8-16 X 1 BUTTON CAP SCREW	98043
7	PUMP SHAFT SEAL	66515
NS	PUMP SHAFT SEAL REPAIR TOOL W/ SEAL	52252
8	O-RING - 013	56274
9	O-RING 2-250	66519
10	BREATHER	48278
11	10-24 X 5/16 MACHINE SCREW	66607
12	MAGNET	73897
13	FILTER	48281
14	INLET FITTING	10887
15	PLUG, HEX SOCKET -4 M ORB	44344
16	PLATE, MODULE	52293
17	MODULE, PLOW CONTROL	52292
18	RELIEF VALVE-1 SET PUMP RELIEF	52282
19	RELIEF VALVE-1 SET	52284
20	QUILL	48517
21	VALVE 4-WAY 3 POSITION CLOSED	52285
NS	SEAL KIT 3-WAY 4-WAY VALVE	48309
22	COIL	52294
23	VALVE 2-WAY NC W/ REV FLOW	48288
NS	SEAL KIT 2-WAY VALVE	48310
24	MOTOR RELAY	52290
25	1/4-20X5/8 HEX WASHER HEAD	44355
26	PLOW BATTERY CABLE	52291
27	PLUG COVER	48325
28	HARNESS, PLOW CONTROL, 2-COIL	52077
29	HARNESS, PLOW CONTROL, 4-COIL	52108
30	CABLE ASSEMBLY 8"	29071
31	VEHICLE BATT CABLE	42014
32	VEHICLE CONTROL HARNESS	28587
33	MODULE 3 PORT - DRL/NON-DRL	29070-1
	MODULE 3 PORT - SOFT START	29760-1
NS	DI-ELECTRIC GREASE TUBE	56099
**NS	TOGGLE SWITCH MOM-ON, OFF, ON	40575
**NS	TOGGLE SWITCH MOM-ON, OFF	40576
NS	SWITCH BOOT	48259
NS	O-RING KIT MASTER	52289
NS	HOSE 3/8"x36" W/FJIC ENDS	52304
NS	HOSE 3/8"x45" W/FJIC ENDS	52279
NS	HOSE 1/4"x20" W/FJIC ENDS	84453
NS	HOSE 1/4"x14" W/FJIC ENDS	84446
NS	HOSE WRAP	56823
*USED FOR HD/SW/RD/LT		
**SEE PAGE 1 FOR IMAGE		



MODEL	MOTOR
LT/RD	52299

MODEL	MOTOR
HD/SW/PP	52281

MODEL	MANIFOLD ASSY W/O VALVES
LT/RD	52257
HD	52256
SW	52258
PP	52259

MODEL	PUMP KIT
LT	*52287
RD/HD/SW	*52288
PP	*49487

\*INCLUDES ITEM 13

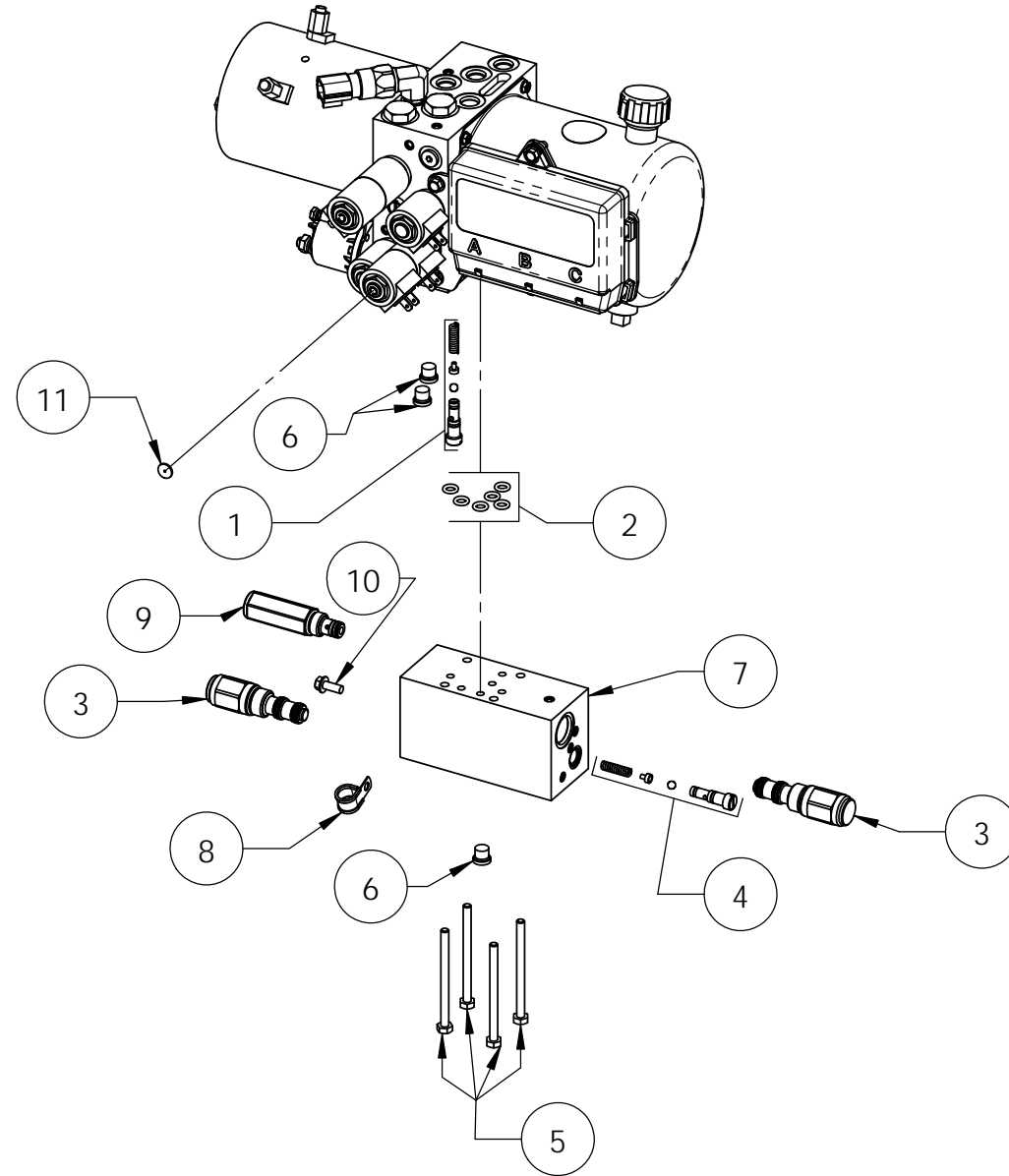
MODEL	PUMP BOLT
LT	90073
RD/HD/SW/PP	90080

MODEL	RESERVOIR KIT
LT/RD/HD/SW	52289
PP	49486

MODEL	PLUG
LT/RD/HD/SW	92079
PP	92095

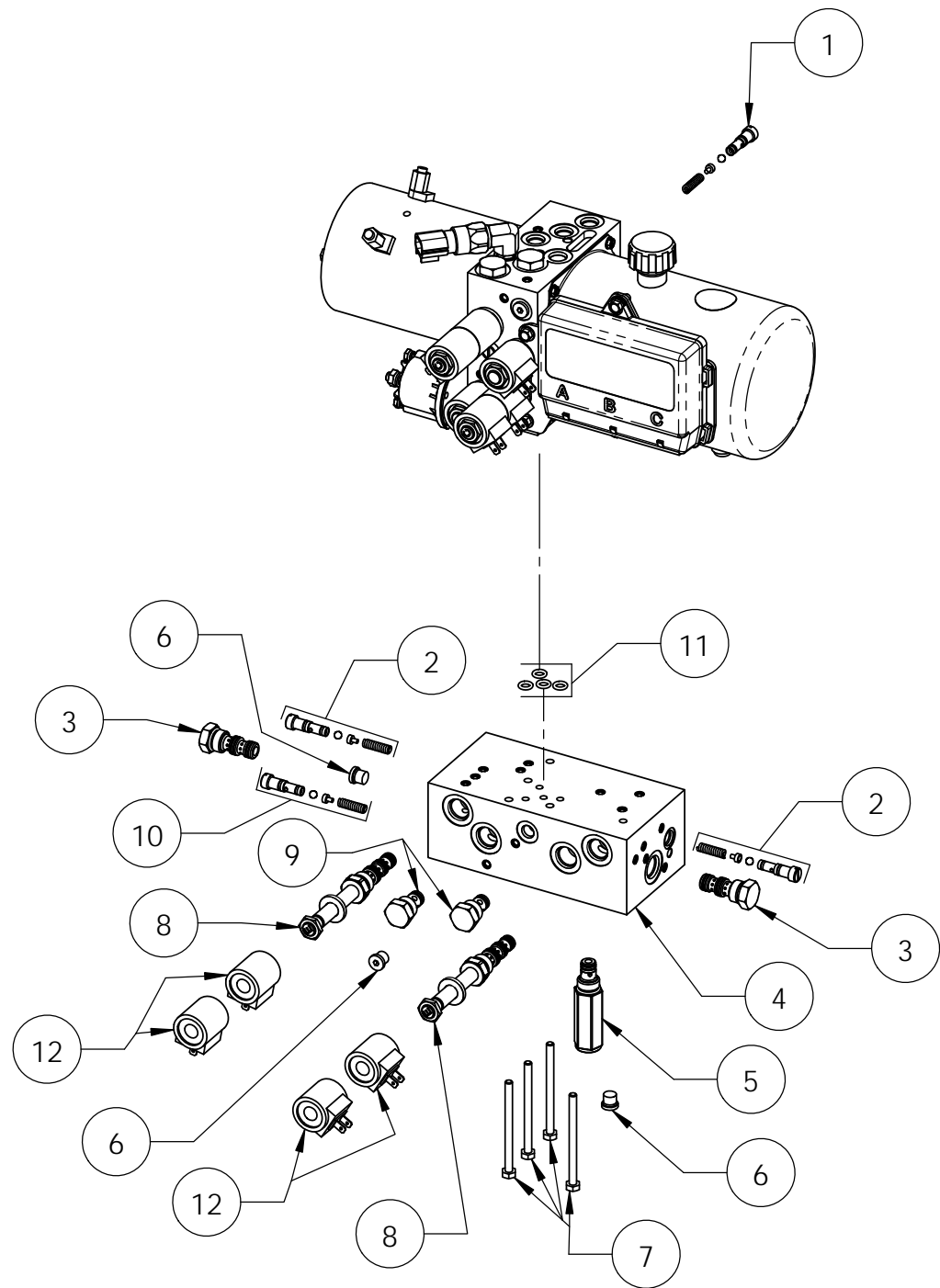
Copyright © 2015 Douglas Dynamics, LLC. All rights reserved. This material may not be reproduced or copied, in whole or in part, in any printed, mechanical, electronic, film or other distribution and storage media, without the written consent of TrynEx International, LLC. Authorization to photocopy items for internal or personal use by TrynEx International, LLC outlets or snowplow owner is granted. TrynEx International, LLC reserves the right under its product improvement policy to change construction or design details and furnish equipment when so altered without reference to illustrations or specifications used. TrynEx International, LLC or the vehicle manufacturer may require or recommend optional equipment for snow removal. Do not exceed vehicle ratings with a snowplow. TrynEx International, LLC offers a limited warranty for all snowplows and accessories. See separately printed page for this important information. The following are registered (®) or unregistered (™) trademarks of Douglas Dynamics, LLC: Automatrix™, POWER PLOW™, SnowEx®, SPEEDWING™.

# SPEEDWING™ HYDRAULIC UNIT



SX SPEED WING		
BALLOON	DESCRIPTION	P/N
1	RELIEF VALVE-1 SET	52282
2	O-RING -109	43818
3	COUNTERBALANCE VALVE	42888
4	RELIEF VALVE-1 SET	52284
5	HEXCAPSCREW_1/4-20X3-1/2 G5	90696
6	PLUG, HEX SOCKET -4 M ORB	44344
7	MANIFOLD ASSY W/O VALVES SW	52262
8	CLAMP LOOP #10	65340
9	RELIEF VALVE	42889
10	1/4-20X5/8 HEX WASHER HEAD	44355
11	ORIFICE DISC .060	52541
NS	SEAL KIT CB-10	52303

# POWER PLOW™ HYDRAULIC UNIT



SX POWER PLOW 8100 &8611		
BALLOON	DESCRIPTION	P/N
1	RELIEF VALVE-1 SET	52284
2	RELIEF VALVE-2 SETS	52283
3	VALVE 3-WAY PO CHECK	49488
4	MANIFOLD ASSY W/O VALVES PP	52261
5	RELIEF VALVE	42889
6	PLUG, HEX SOCKET -4 M ORB	44344
7	HEXCAPSCREW_1/4-20X3-1/2 G5	90696
8	VALVE 4-WAY 3 POSITION	52286
9	CHECK VALVE	48287
10	RELIEF VALVE-1 SET	52282
11	O-RING -109	43818
12	COIL	52294
13	HARNESS, PLOW CONTROL, 6-COIL	52079

