



Light Truck Snowplow
Blade Assembly 77700, 77705
Big Box Assembly 77800
Parts List

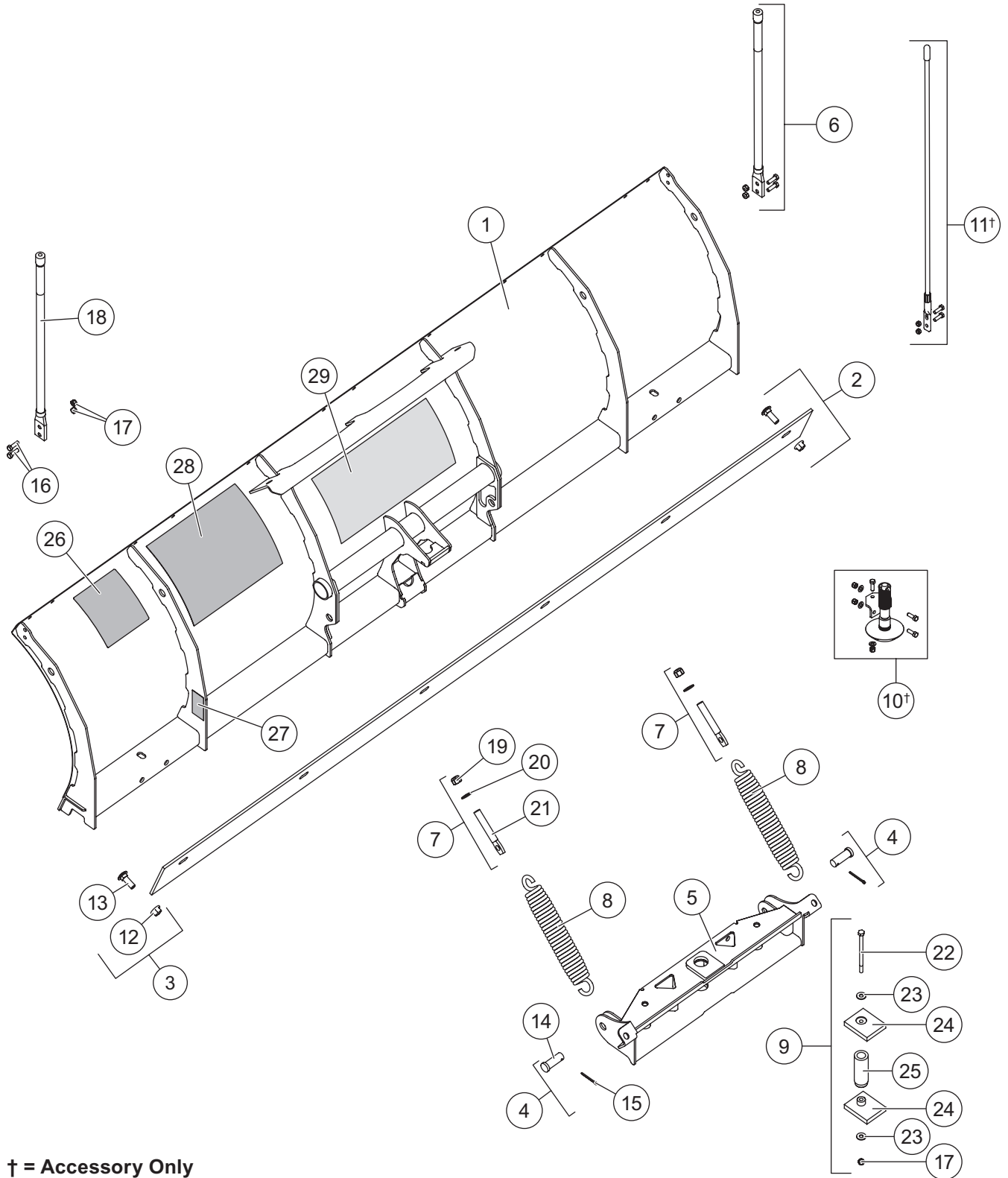


TABLE OF CONTENTS

LIGHT TRUCK BLADE ASSEMBLY	4
A-FRAME ASSEMBLY	6
HEADGEAR ASSEMBLY	8
HYDRAULIC AND ELECTRICAL COMPONENTS	10
Hydraulic Unit Components	10
Lift and Angle Ram Components.....	12
Hoses and Fittings	12
Electrical Components.....	13
VEHICLE-SIDE WIRING DIAGRAM	14
HEADLAMP KIT	15

LIGHT TRUCK BLADE ASSEMBLY

Blade Components

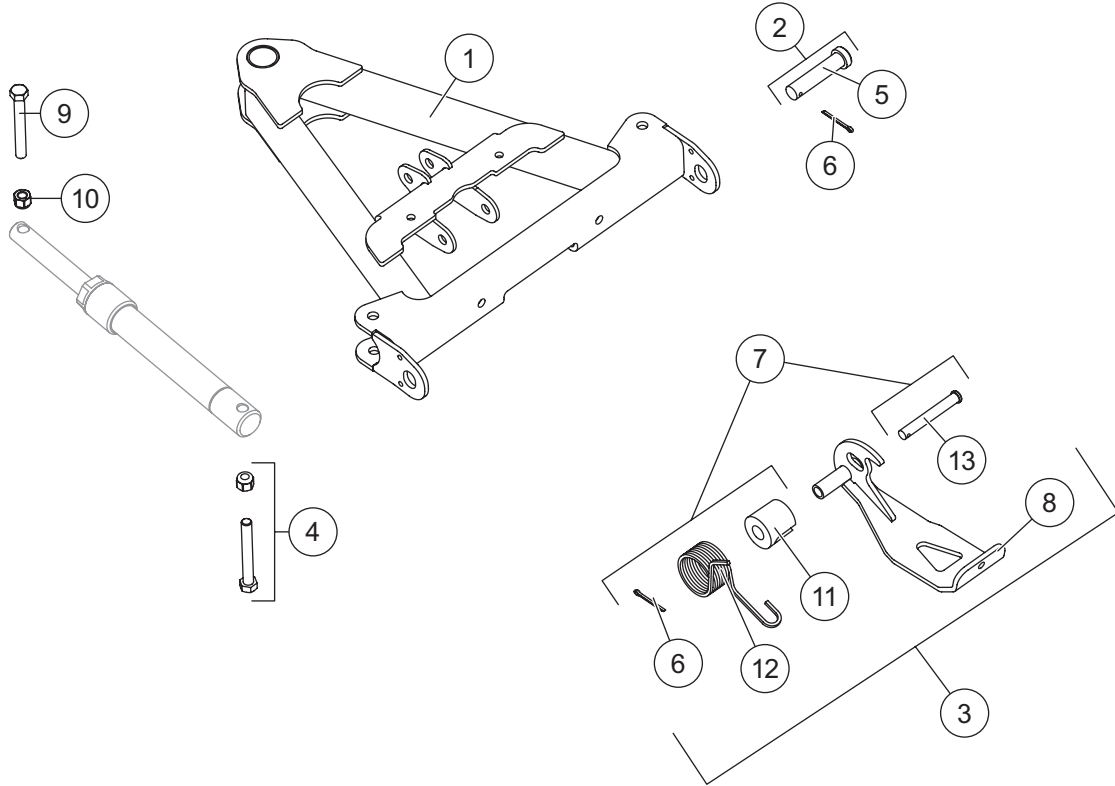


LIGHT TRUCK BLADE ASSEMBLY

77700/77705 Blade Components							
Item	Part	Qty	Description	Item	Part	Qty	Description
1	84554	1	6800LT Blade with Labels	7	84702	2	Eyebolt Kit
	84556	1	7200LT Blade with Labels	8	B61167	2	Trip Spring
2	B61458	1	1/4" Steel Cutting Edge Kit – 6800LT	9	84629	1	Center Pivot Bolt Kit
	B61531	1	1/4" Steel Cutting Edge Kit – 7200LT	10†	84506	1	Shoe Kit – HD, RD, LT
3	B61255	1	Cutting Edge Bolt Bag – LT	11†	84477	1	36" Poly Blade Guide Kit
4	84631	2	3/4 x 2 Clevis Pin Kit with Cotter	ns	84640	1	Blade Label Kit – LT
5	84573	1	Quadrant LT	ns†	84524	1	Rubber Deflector Kit – LT
6	84525	1	24" Blade Guide Kit				
Item 2 B61458/B61531 1/4" Steel Cutting Edge Kit							
		1	1/4" Steel Cutting Edge	3	B61255	1	Cutting Edge Bolt Bag
Item 3 B61255 Cutting Edge Bolt Bag							
12		8	1/2-13 Hex Locknut GB	13		8	1/2-13 x 3-1/4 Carriage Bolt G8
Item 4 84631 3/4 x 2 Clevis Pin Kit with Cotter							
14		2	3/4 x 2 Clevis Pin	15		2	5/32 x 1-1/2 Cotter Pin
Item 6 84525 24" Blade Guide Kit							
16		4	5/16-18 x 1 Hex Cap Screw G5	18		2	24" Poly Blade Guide with Label
17		4	5/16-18 Hex Locknut GB				
Item 7 84702 Eyebolt Kit							
19		1	5/8-11 Hex Locknut GB	21		1	5/8-11 x 4 Eyebolt
20		1	5/8 Hardened Flat Washer				
Item 9 84629 Center Pivot Bolt Kit							
17		1	5/16-18 Hex Locknut GB	24	27615	2	Bumper, Personal Plow
22		1	5/16-18 x 5 Hex Cap Screw G5	25		1	Pivot Tube
23		2	5/16 Flat Washer Type A				
84640 Blade Label Kit – LT							
26	59900	1	Label, Warning/Caution, Snowplows	28	52204	1	Label, Automatixx® Attach/Detach
27	29256	1	Label, Foot Crush Warning	29	77701	1	Label, LT Blade Center
		ns = not shown				† = Accessory Only	
						G = Grade	

A-FRAME ASSEMBLY

A-Frame Components

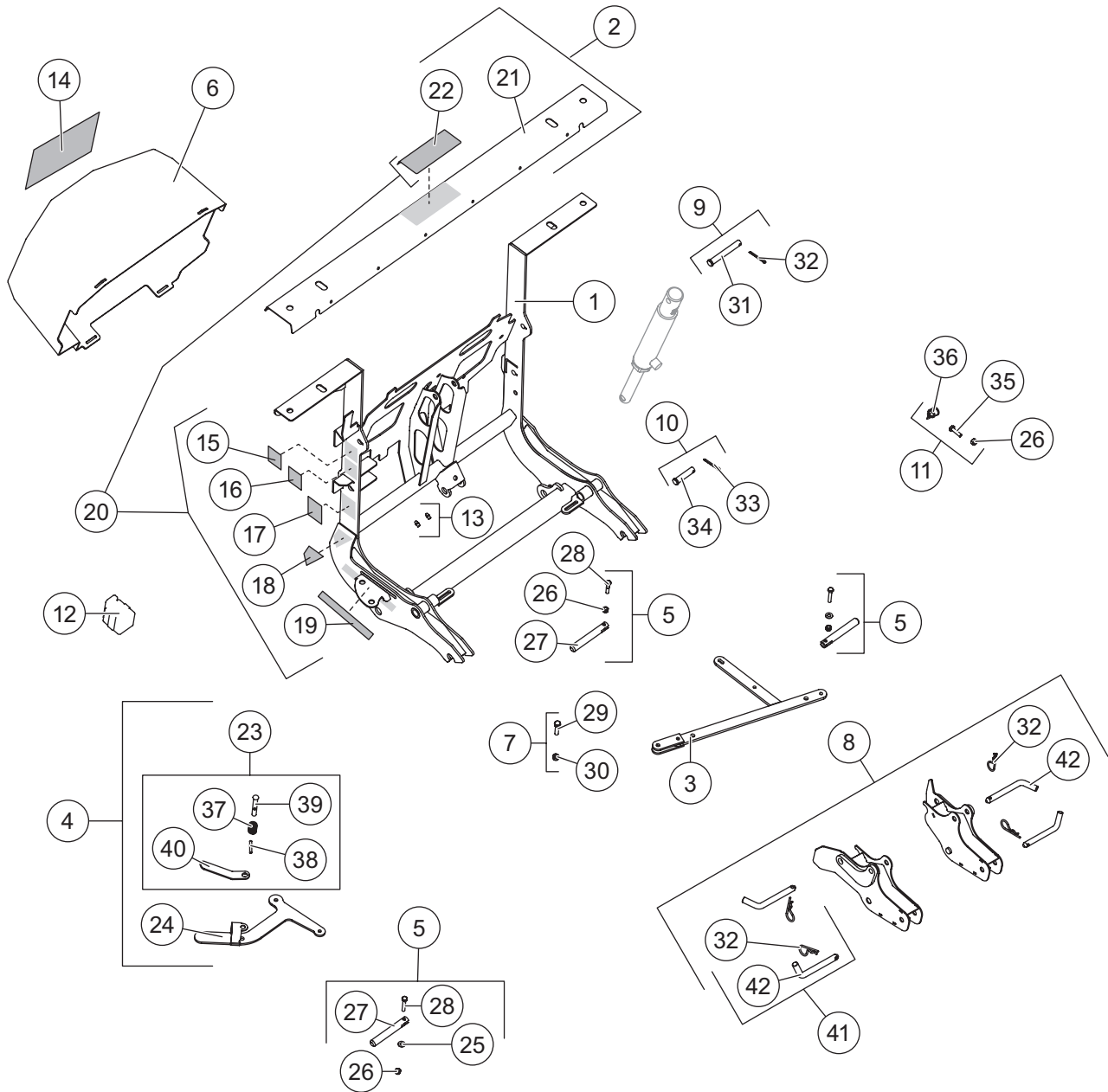


A-FRAME ASSEMBLY

A-Frame Components							
Item	Part	Qty	Description	Item	Part	Qty	Description
1	84587	1	A-Frame – LT	3	84592	1	Stand Kit – LT
2	84618	2	A-Frame Pin Kit – LT	4	84628	4	Angle Ram Bolt Kit – LT
Item 2				84618 A-Frame Pin Kit – LT			
		1	3/4 x 3-1/4 Clevis Pin			1	5/32 x 1-1/2 Cotter Pin
Item 3				84592 Stand Kit – LT			
	84615	1	Stand Hardware Kit			1	Stand
Item 4				84628 Angle Ram Bolt Kit – LT			
		1	1/2-13 x 4 Hex Cap Screw G8			1	1/2-13 Hex Locknut GB
Item 7				84615 Stand Hardware Kit			
		1	5/32 x 1-1/2 Cotter Pin			1	Stand Torsion Spring
		1	Stand Spring Spacer			1	1/2 x 3-5/8 Clevis Pin
G = Grade							

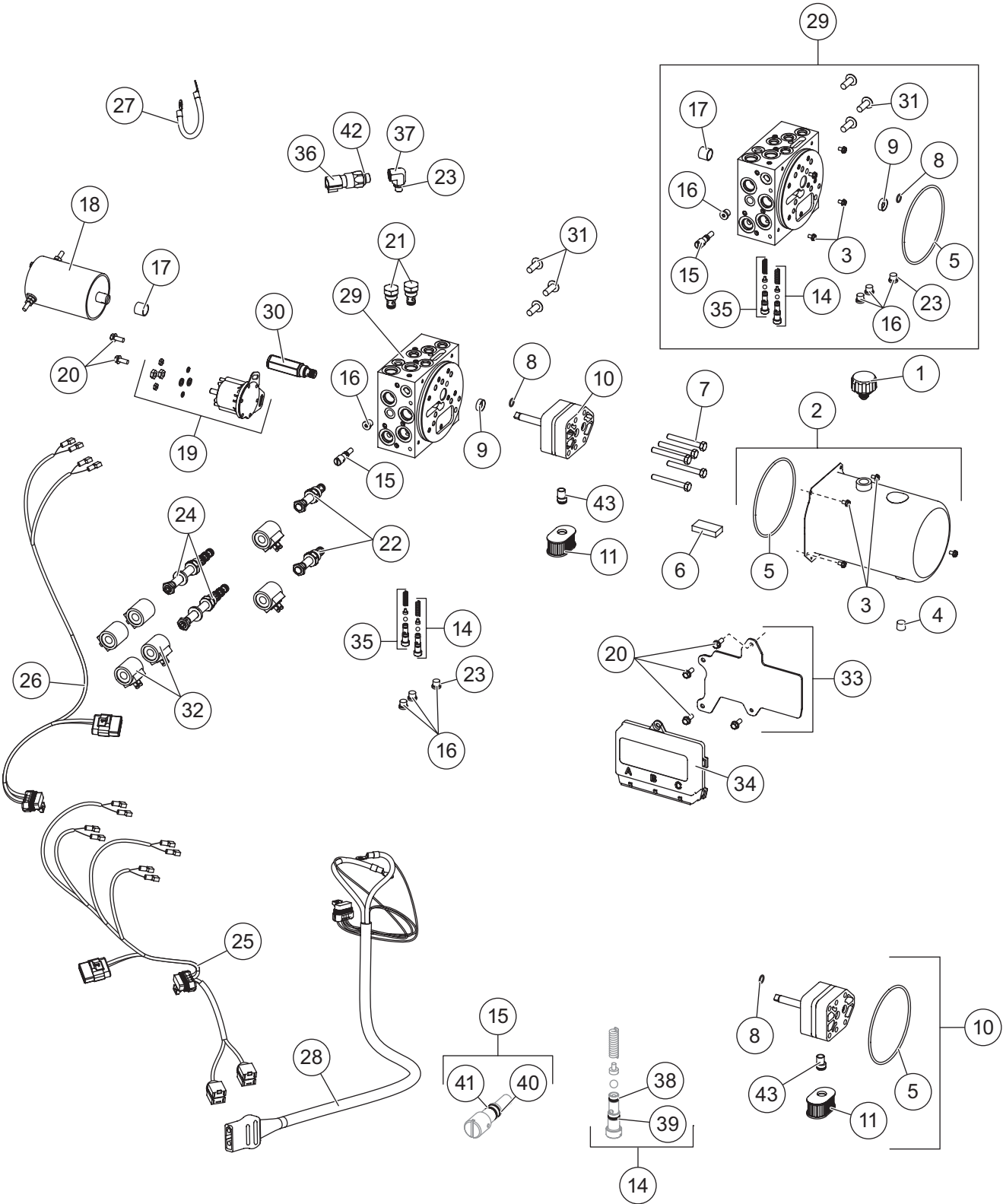
HEADGEAR ASSEMBLY

Headgear Components



HYDRAULIC AND ELECTRICAL COMPONENTS

Hydraulic Unit Components



HYDRAULIC AND ELECTRICAL COMPONENTS

52650 Hydraulic Unit						
Item	Part	Qty	Description	Item	Part	Qty Description
1	48278	1	Breather	24	52285	2 Valve, 4-Way, 3-Position Closed Center
2	52289	1	Reservoir Kit	25	52108	1 Plow Control Harness, 4-Coil
3	66607	4	10-24 x 5/16 Machine Screw	26	52077	1 Plow Control Harness, 2-Coil
4	92079	1	Plug, Square 3/8 NPTF	27	29071	1 Vehicle Battery Cable 8"
5	66519	1	O-Ring 2-250	28	52291	1 Snowplow Battery Cable
6	73897	1	Magnet	29	52257	1 Manifold Assembly w/o Valves RD/LT
7	90073	5	5/16-18 x 2-1/4 Hex Cap Screw G5	30	42889	1 Relief Valve 4000 psi
8	56274	1	O-Ring -013	31	98043	3 3/8-16 x 1 Button Cap Screw
9*	66515	1	Pump Shaft Seal	32	52294	6 Coil
ns	52252	1	Seal Repair Tool Kit w/Seal	33	52293-1	1 Plate, Module
10	52287	1	Hydraulic Pump Kit	34	52292	1 Module, Plow Control
11	48281	1	Filter	35	52284	1 Relief Valve (1 set)
14	52282	1	Relief Valve (1 set)	36	84838	1 Pressure Switch
15	48517	1	Quill	37	52295	1 Elbow, 90° -4 M ORB/-6 F ORB
16	44344	4	Plug, Hex Socket -4 M ORB	38	55371	2 O-Ring -008
17†	56364	1	Bearing Sleeve	39	25731	2 O-Ring -010
ns	52251	1	Bearing Repair Tool Kit w/Bearing	40	48239	1 O-Ring -106
18	52299	1	Motor	41	48240	1 Back-Up Ring -106
19	52290	1	Motor Relay Kit, FLEET FLEX	42	56569	5 O-Ring -906
20	44355	6	1/4-20 x 5/8 Hex Washer-Head Thread-Rolling Screw	43	10887	1 Inlet Fitting
21	48287	2	Check Valve	ns		3 Fuse, 5-Amp Mini Automotive Blade-Style (for items 25 and 26)
22	48288	2	Valve, 2-Way NC w/Rev Flow			
23	44343	5	O-Ring -904			
O-Ring Service Kits						
-	52298-1	-	O-Ring Kit	-	48310	- Seal Kit, 2-Way Valves
-	48309	-	Seal Kit, 3-Way & 4-Way Valves			
Item 2	52289 Reservoir Kit					
3	66607	4	10-24 x 5/16 Machine Screw	5	66519	1 O-Ring 2-250
4	92079	1	Plug, Square 3/8 NPTF			
Item 29	52257 Manifold Assembly w/o Valves HD					
3	66607	4	10-24 x 5/16 Machine Screw	16	44344	4 Plug, Hex Socket -4 M ORB
5	66519	1	O-Ring 2-250	17	56364	1 Bearing Sleeve
8	56274	1	O-Ring -013	23	44343	5 O-Ring -904
9	66515	1	Pump Shaft Seal	31	98043	3 3/8-16 x 1 Button Cap Screw
14	52282	1	Relief Valve (1 set)	35	52284	1 Relief Valve (1 set)
15	48517	1	Quill			
			ns = not shown	G = Grade		

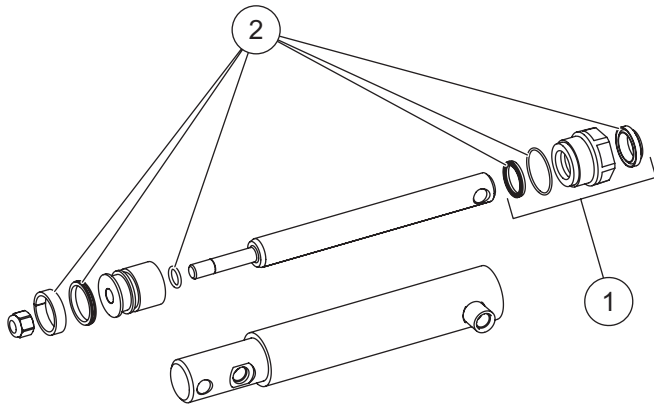
* Use 52252 tool to install.

† Use 52251 tool to install.

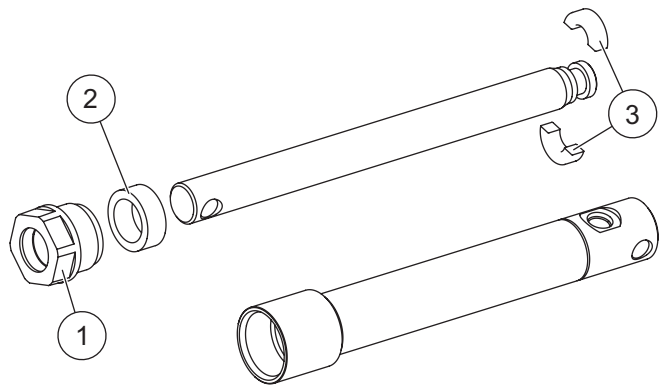
Go to www.snowexproducts.com for hydraulic unit service information and specifications.

HYDRAULIC AND ELECTRICAL COMPONENTS

Lift and Angle Ram Components

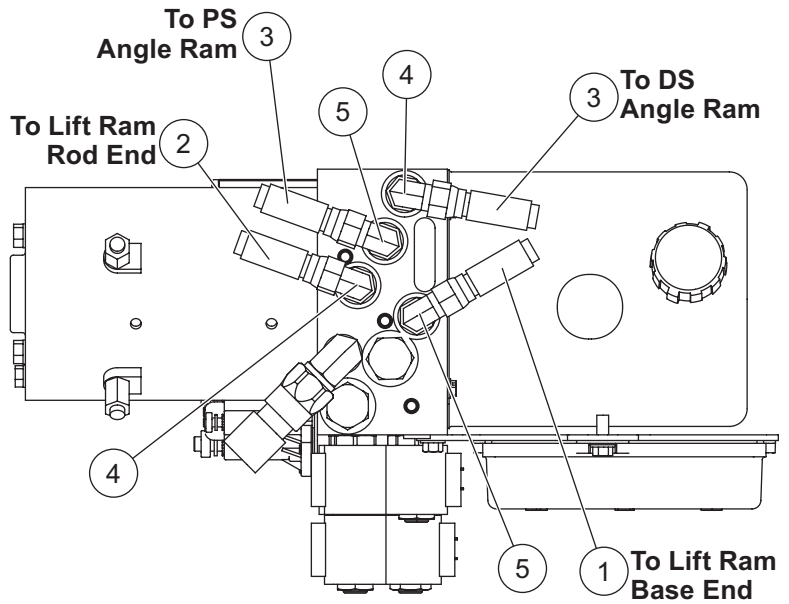
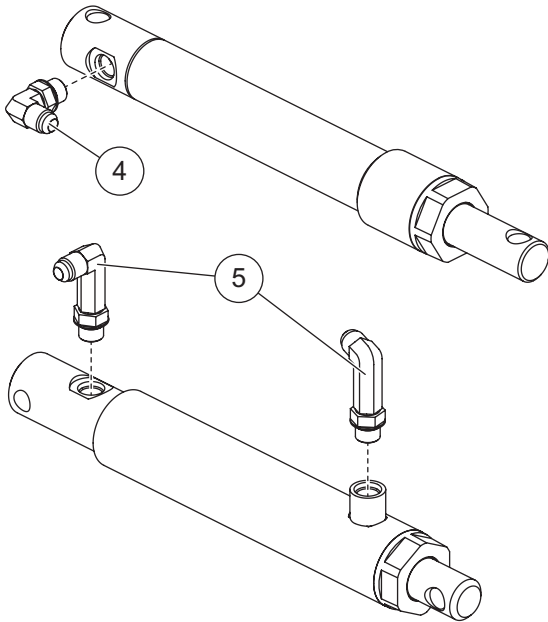


84430 Lift Ram Assembly 1-1/2 x 6 DA			
Item	Part	Qty	Description
1	52277	1	1" Gland Assembly
2	52302	1	Seal Kit 1-1/2" DA Ram



84426 Angle Ram Assembly 1 x 7			
Item	Part	Qty	Description
1	52277	1	1" Gland Nut Assembly
2	56803	1	Spacer
3	52276	1	1" Split Bearing Kit

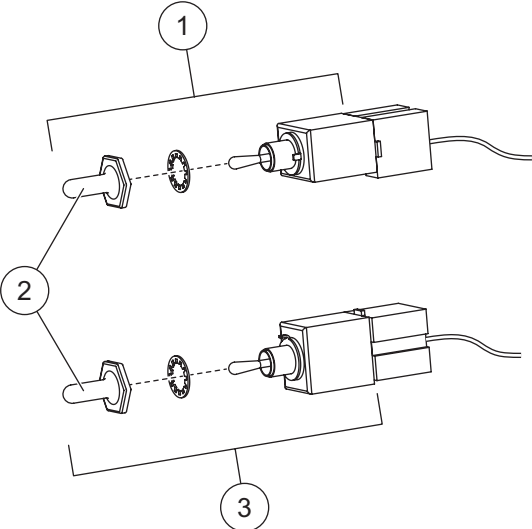
Hoses and Fittings



Hoses and Fittings							
Item	Part	Qty	Description	Item	Part	Qty	Description
1	84446	1	Hose, 1/4 x 14 w/F JIC Ends	5	40572	4	Elbow, Extra Long 90° -6 M JIC/-6 M ORB
2	84453	1	Hose, 1/4 x 20 w/F JIC Ends	ns	56823	1	Hose Wrap
3	52534	2	Hose, 3/8 x 32 w/F JIC Ends				
4	40571	4	Elbow, 90° -6 M JIC/-6 M ORB				
F = Female		ns = not shown		M = Male or Metric			

HYDRAULIC AND ELECTRICAL COMPONENTS

Electrical Components

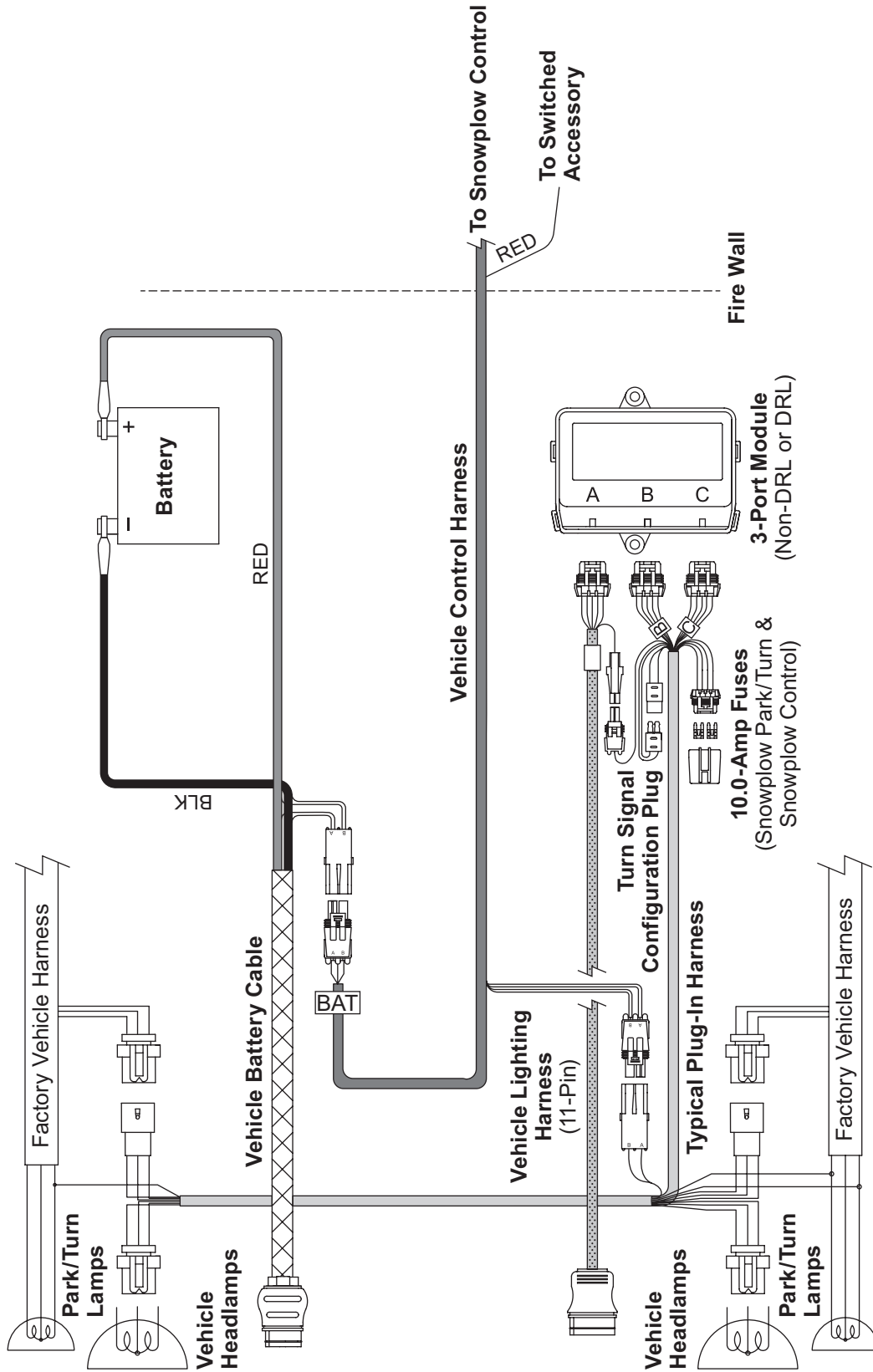


Plow-Side Electrical Components							
Item	Part	Qty	Description	Item	Part	Qty	Description
1	40575	1	Toggle Switch (MOM-ON, OFF, ON)	3	40576	1	Toggle Switch (MOM-ON, OFF, MOM-ON)
2	48259	2	Switch Boot				
Vehicle-Side Electrical Components							
*	42014	1	Vehicle Battery Cable	ns	48325	2	Plug Cover
*	28587	1	Vehicle Control Harness				
ns = not shown							

* For diagram see Vehicle-Side Harness Diagram.

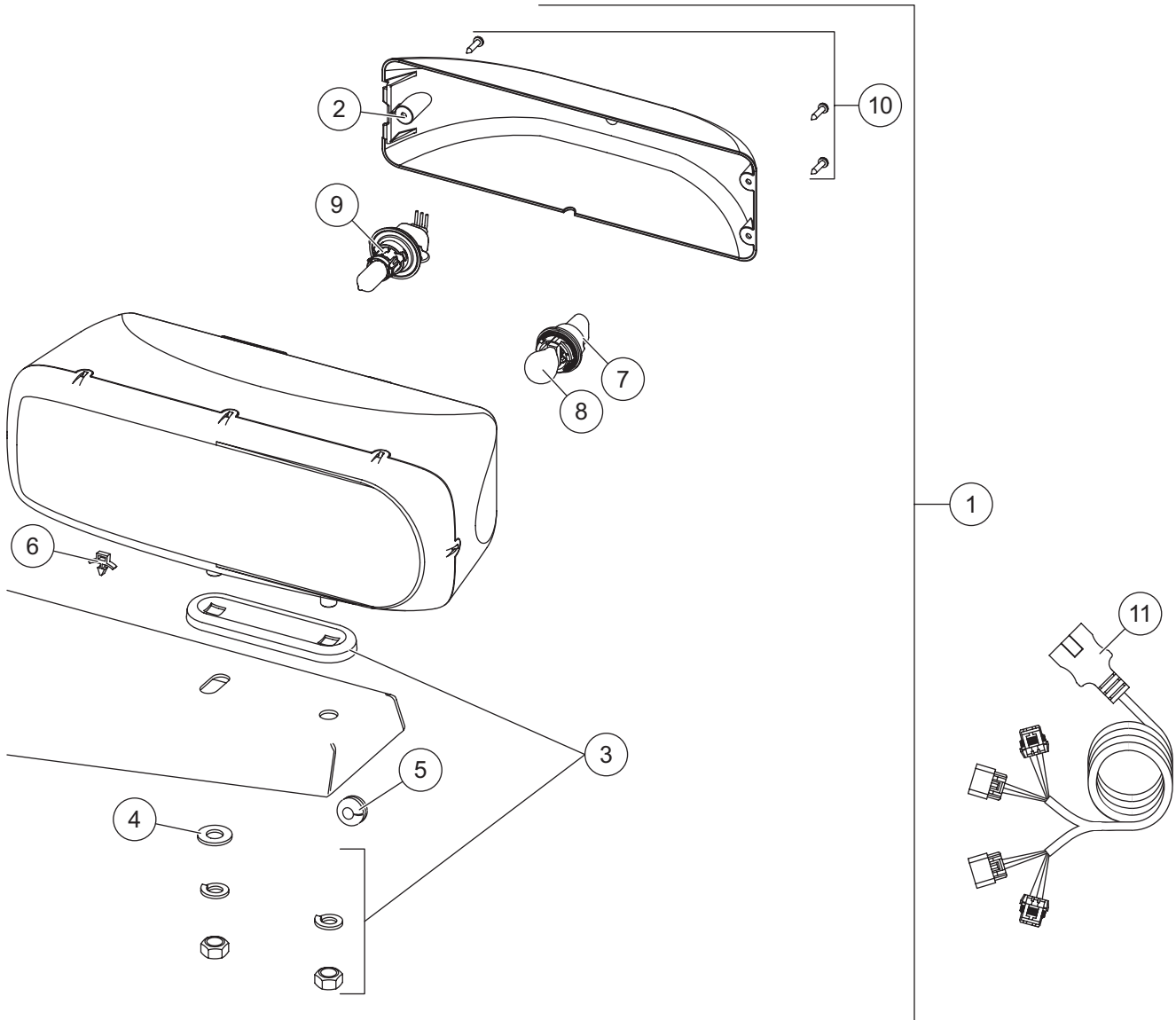
VEHICLE-SIDE HARNESS DIAGRAM

Vehicle-Side Harness Diagram



HEADLAMP KIT

Headlamp Kit



28800-1 Headlamp Kit (Pair)

Item	Part	Qty	Description	Item	Part	Qty	Description
1	28801-1	1	Headlamp Service Kit – DS	6	56595	6	Cable Tie Anchor
ns	28802-1	1	Headlamp Service Kit – PS	7	28805	2	Park/Turn Socket Service Kit
2	28803-1	2	Rear Cover Kit (fits 2- or 3-screw)	8		2	Park/Turn Bulb (trade no. 4157NAK)
3	28804	2	Mounting Hardware Kit	9	28806	2	H13 Headlamp Bulb Service Kit
4	91105	2	1/2 Flat Washer	10	28808-1	2	Cover Screws Service Kit (3 screws)
5	66130	2	Rubber Grommet	11	28213K	1	Harness Service Kit

ns = not shown



TrynEx International, LLC
531 Ajax Drive
Madison Heights, MI 48071-2429
www.snowexproducts.com

 A DIVISION OF DOUGLAS DYNAMICS, LLC

Copyright © 2016 Douglas Dynamics, LLC. All rights reserved. This material may not be reproduced or copied, in whole or in part, in any printed, mechanical, electronic, film or other distribution and storage media, without the written consent of TrynEx International, LLC. Authorization to photocopy items for internal or personal use by TrynEx International, LLC outlets or snowplow owner is granted.

TrynEx International, LLC reserves the right under its product improvement policy to change construction or design details and furnish equipment when so altered without reference to illustrations or specifications used. TrynEx International, LLC or the vehicle manufacturer may require or recommend optional equipment for snow removal. Do not exceed vehicle ratings with a snowplow. TrynEx International, LLC offers a limited warranty for all snowplows and accessories. See separately printed page for this important information. The following are registered (®) or unregistered (™) trademarks of Douglas Dynamics, LLC: Automatix®, SECURITY GUARD™, SnowEx®.

Printed in U.S.A.