



Fisher Engineering

50 Gordon Drive, Rockland, Maine 04841-2139 • www.fisherplows.com

87100, 87200, 87300
86200, 86300
86000, 86100(CH), 87000

July 15, 2013
Lit. No. 43070, Rev. 01

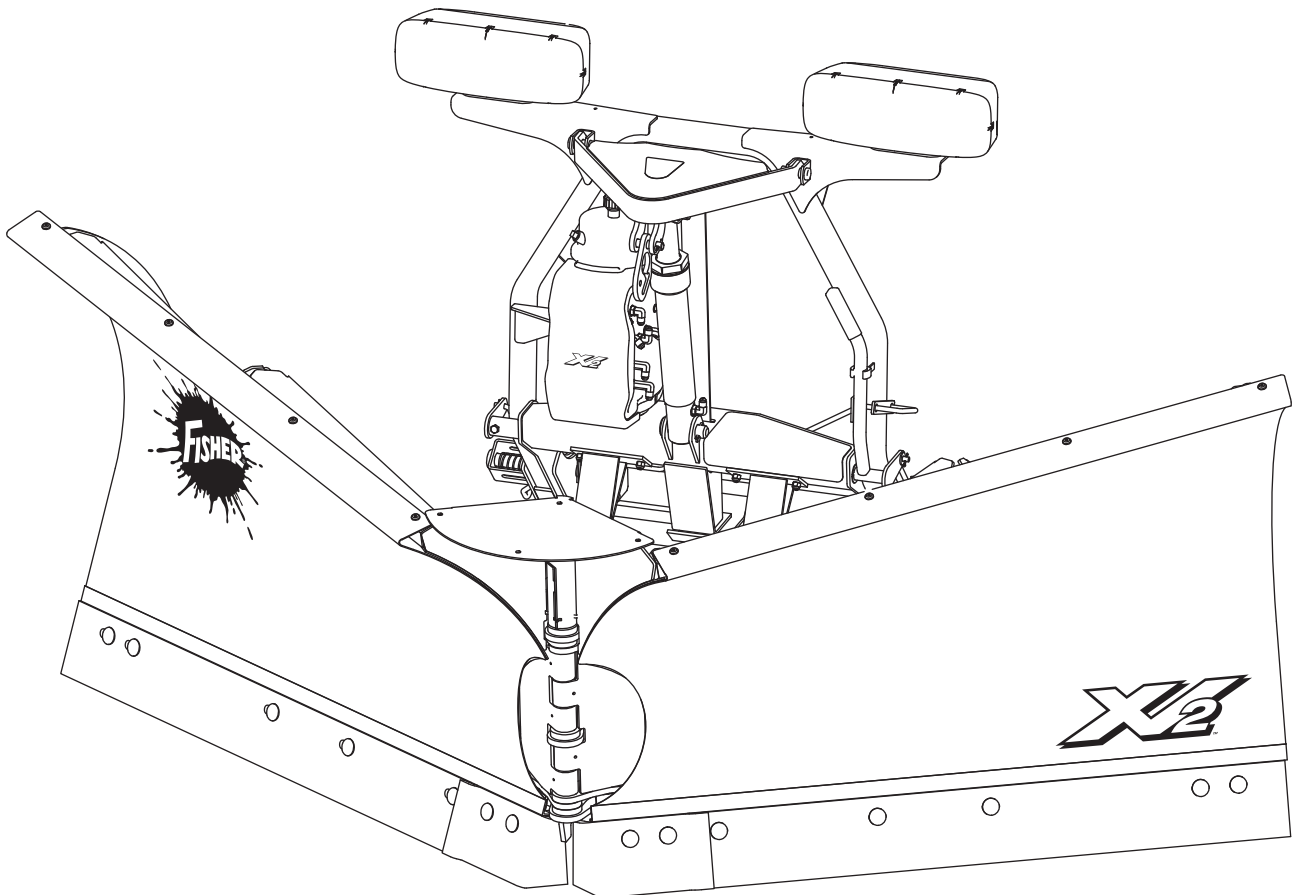


Blade and Off-Truck Kit

XV2™ Snowplow

Includes Central Hydraulics Applications

Parts List



XV2™ BLADE COMPONENTS 4

XV2 OFF-TRUCK KITS 6

 Headgear and T-Frame Components 6

 Hydraulic Unit Components 8

 Hydraulic Unit Cover Assembly 10

 Lift and Angle Ram Components 11

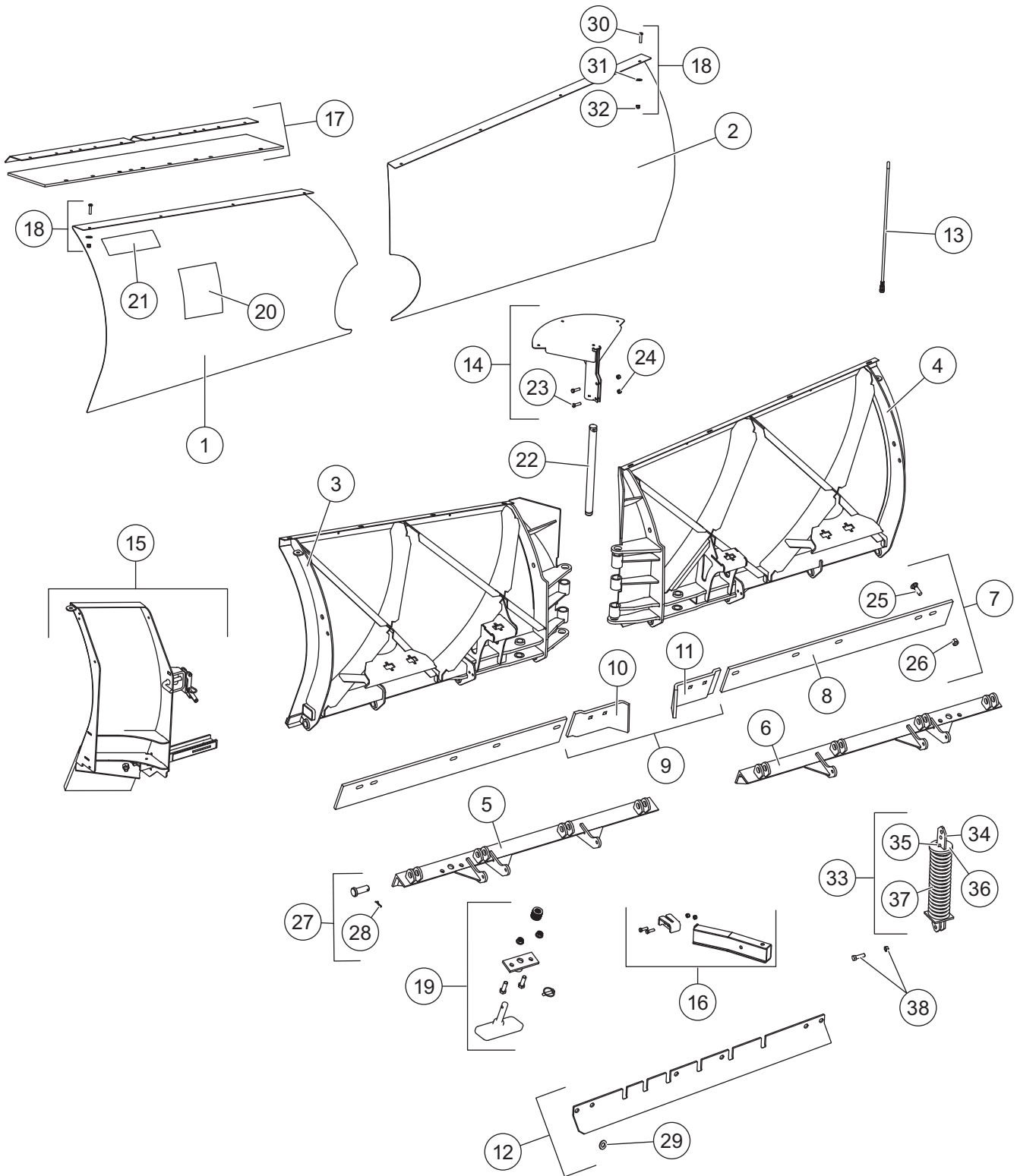
 Hoses and Fittings 11

 Electrical Components 12

 Vehicle-Side Harness Diagrams 13

 Headlamp Kit 15

Blade Components – 9-1/2' Shown

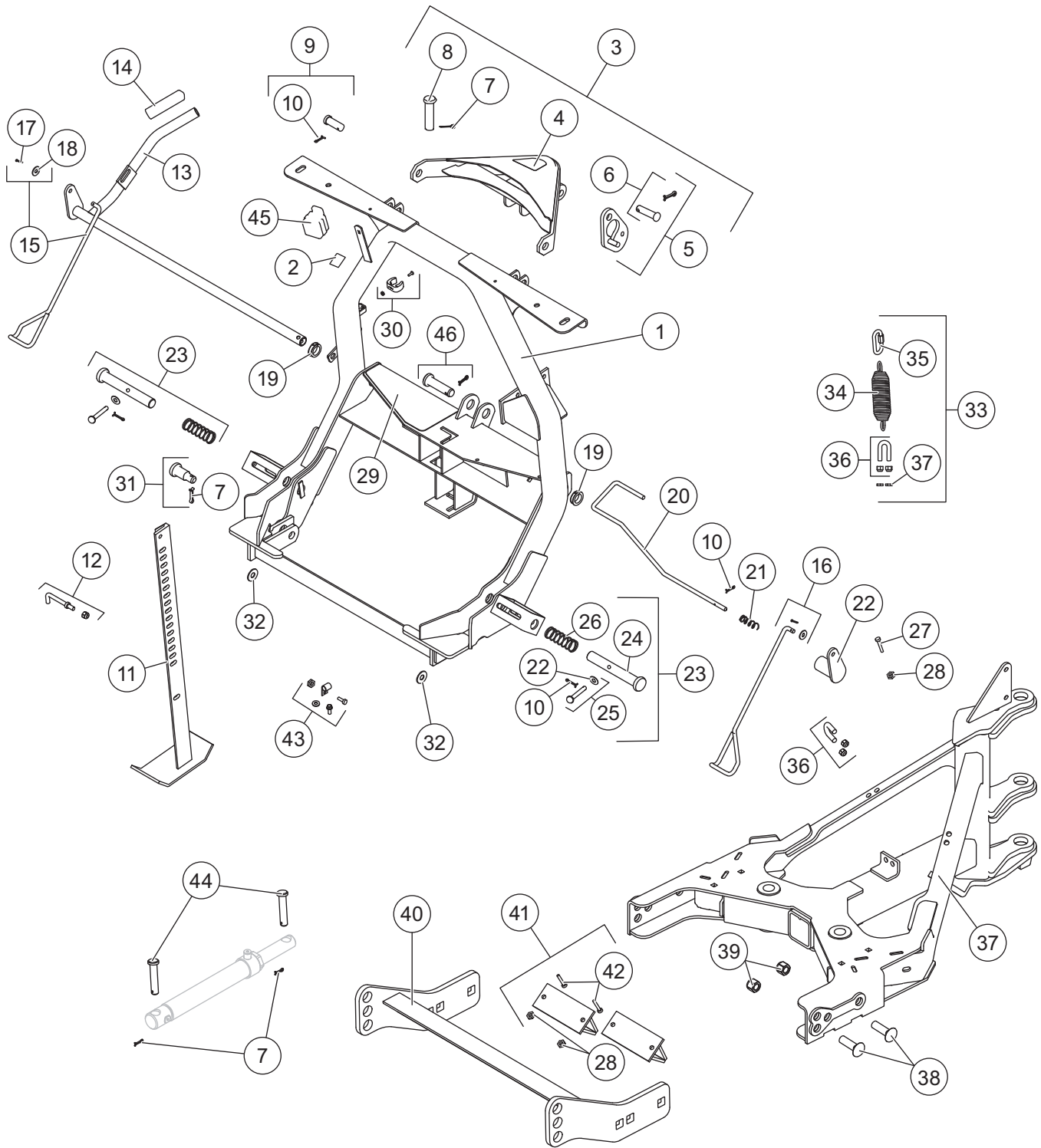


86000, 86100(CH), 86200, 86300, 87000, 87100, 87200, 87300

86000/86100/86200/86300/87000/87100/87200/87300 XV2™ Blade Components						
Item Description		Part Number				
		7-1/2'	8-1/2'		9-1/2'	
		SS	MS	SS	MS	SS
1	Moldboard Kit – DS	43090	43092	43094	43096	43098
2	Moldboard Kit – PS	43091	43093	43095	43097	43099
3	Frame, Base Angle & Springs – DS	43120	43121		43122	
4	Frame, Base Angle & Springs – PS	43123	43124		43125	
5	Base Angle – DS	43126	43128		43130	
6	Base Angle – PS	43127	43129		43131	
7	3/8" Cutting Edge Kit w/Fasteners	44740-2	44741-2		–	
	1/2" Cutting Edge Kit w/Fasteners	44742-2†	44743-2†		44744-2	
8	3/8" Cutting Edge	44896-1	44897		–	
	1/2" Cutting Edge	44996-1†	44997†		44898	
9	Center Cutting Edge Kit w/Fasteners	44894-1				
10	Center Cutting Edge – DS	44891-1				
11	Center Cutting Edge – PS	44890-1				
12	Back Drag Edge Kit	44281-3†	44282-3†		44283-3†	
13	Flexible Blade Guide Set – 26"	27195				
14	Center Snow Control Kit	43118				
15	Blade Wing Extension Kit	–	43511†			
16	Blade Stop Kit	43082†				
17	Rubber Deflector Kit – 10"	41812†				
ns	Rubber Deflector Kit – 18"	41813†				
18	Moldboard Fasteners Kit	43890				
19	Shoe Kit	50700†				
20	Label – Warning/Caution, Snowplows	59900				
21	Label – STORM GUARD™ (MS moldboards only)	26211				
ns	Label – FISHER® Splatter 13-1/4 x 14-1/2	20238				
ns	Label, Identity – XV2	43224				
ns	Label Replacement Kit, V-Plows	42491				
MS = Mild Steel		SS = Stainless Steel		ns = not shown		† = Accessory Only

Springs and Fasteners											
Item	Part	Description	Qty			Item	Part	Description	Qty		
			7-1/2'	8-1/2'	9-1/2'				7-1/2'	8-1/2'	9-1/2'
22	49844	Pivot Pin	1	1	1	32	3/8-16 Hex Locknut G5	8	8	8	
23*		3/8-16 x 1-1/4 Hex Cap Screw G5	2	2	2	33	21452 Removable Spring Assembly	4	4	6	
24*		3/8-16 Hex Locknut GB	2	2	2	34	21450 Removable Spring Bar	4	4	6	
25		5/8-11 x 2 Carriage Bolt G5	14	14	14	35	20181 1/4 x 1-1/4 Pin	4	4	6	
26		5/8-11 Hex Locknut GB	14	14	14	36	20191 Removable Spring Disc	4	4	6	
27	27241	1 x 2.75 Clevis Pin w/Cotter	6	8	8	37	5323 Trip Spring	4	4	6	
28		1/4 x 1-3/4 Cotter Pin	8	8	8	38	40905 Shoulder Bolt w/Locknut	4	4	6	
29	63927†	5/8 Flat Washer	14	14	14	ns	44763 Bolt Bag – Cutting Edge Kits (one side – 5 sets of fasteners)	2	2	2	
30	98035	3/8 -16 x 1 Button Cap Screw	8	8	8						
31		3/8 Hardened Washer	8	8	8	ns	43620† Bolt Bag – Rubber Deflector	1	1	1	
ns = not shown			† = Accessory Only			* = Packed with headgear			G = Grade		

Headgear and T-Frame Components

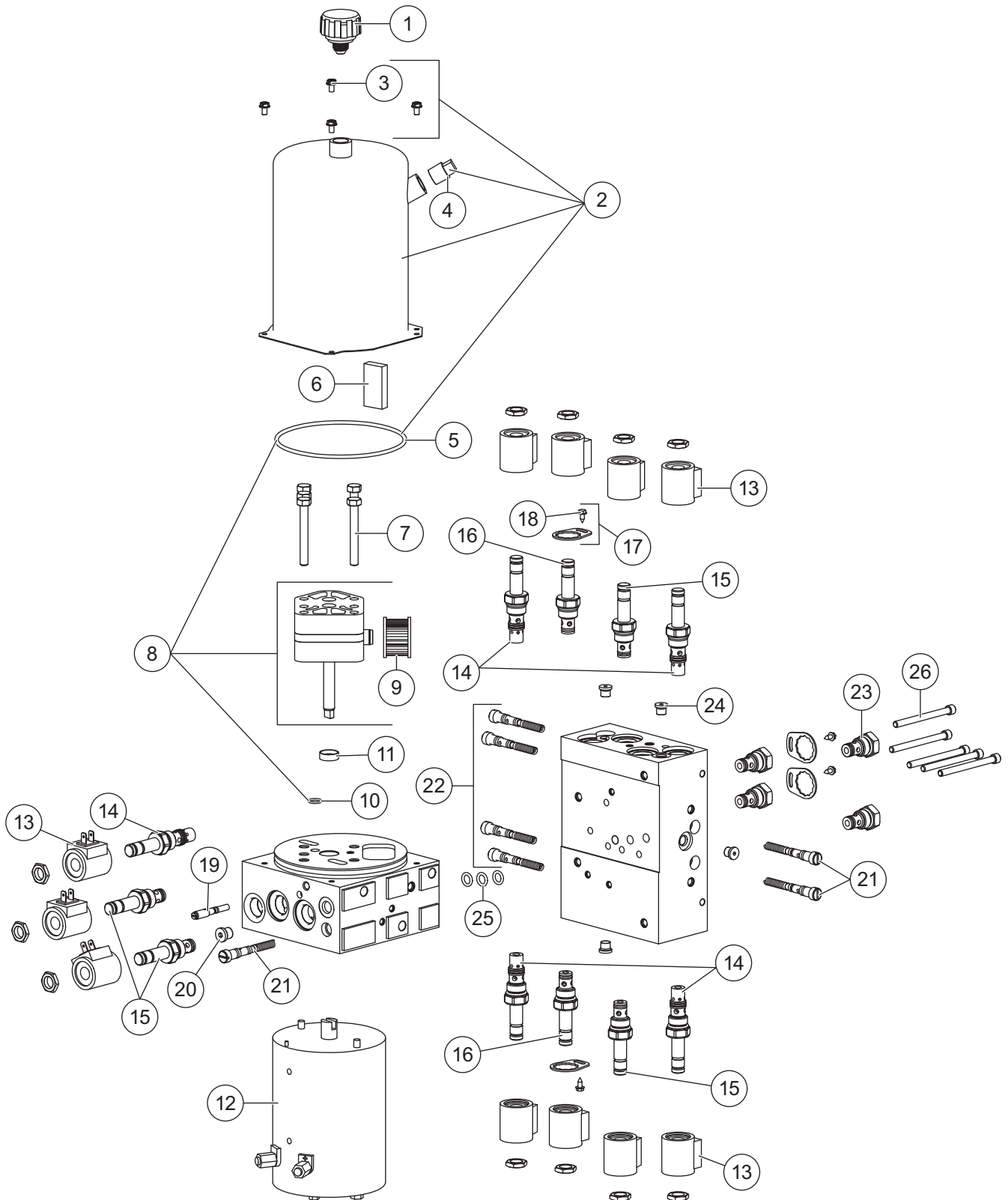


86000, 86100(CH), 86200, 86300, 87000, 87100, 87200, 87300

XV2™ Headgear and T-Frame Components							
Item	Part	Qty	Description	Item	Part	Qty	Description
1	44558-2	1	Headgear	25	26219	2	Clevis Pin Kit
2*	69689	1	Label – SECURITY GUARD™	26	821	2	Compression Spring, 1 ID x 3-1/2
3	28350-2	1	Lift Arm Kit (yellow)	27	90043	1	3/8-16 x 2 Hex Cap Screw G5
	27560-2	1	Lift Arm Kit (silver)	28	91333	4	3/8-16 Hex Locknut GB
4	26777	1	Nameplate – Minute Mount® 2	29	27451	1	Label – Attach/Detach, Minute Mount 2
5	28991	1	Stop Link Kit	30	27162K-1	1	Stop Clip Kit
6	29037	1	1/2 x 2-1/2 Clevis Pin G8 w/Cotter	31	27177K	2	Step Pin Kit
7	90601	6	1/4 x 1-1/2 Cotter Pin	32	91192	2	1-3/4 Flat Washer Special
8	95720	1	1 x 3-5/16 Clevis Pin HT	33	49521	1	Spring/U-Bolt/Link Kit
9	4289K	2	3/4 x 1-7/8 Machine Pin Packet	34	27074	1	Spring
10	90658	5	5/32 x 1-1/4 Cotter Pin	35	68340	1	Quick Link
11	27462	1	Jack	36	A6148K	3	U-Bolt Assembly Packet
12	27164K	1	Handle Kit	37	43119	1	T-Frame Service Kit
13	27468	1	Handle, Link Arm Assembly	38	63913	4	3/4-10 x 2-1/2 Carriage Bolt G5
14	27535	1	Handle Cover	39	91338	4	3/4-10 Hex Locknut GB
15	27166K	1	Wire Cam Kit – DS	40	44556-2	1	Push Assembly
16	27167K	1	Wire Cam Kit – PS	41	50632	1	Stacking Stop Kit – Short (shown)
17	91902	1	1/8 x 1 Cotter Pin		44554	1	Stacking Stop Kit – Long (not shown)
18	90315	4	3/8 Flat Washer Type A Wide	42	90201	4	3/8-16 x 1 Carriage Bolt G5
19	27163K	1	Bushing Kit (pkg of 2)	43	27172K	1	Clamp Loop Kit
20	27478	1	Jack Lock	44	22260	4	1 x 4-3/4 Clevis Pin
21	27461	1	Compression Spring, 3/4 OD x 3-1/2	45	8284K	1	Cable Boot
22	27465	1	Link Arm	46	43603	1	1 x 3-3/4 Clevis Pin Kit
23	27168K	2	Connecting Pin Kit	ns	27912-1	1	5/16 Grade 43 Chain Bag
24	26833	2	1 x 6-15/16 Pin				
ns = not shown				G = Grade			

* Not used for Central Hydraulics.

Hydraulic Unit Components

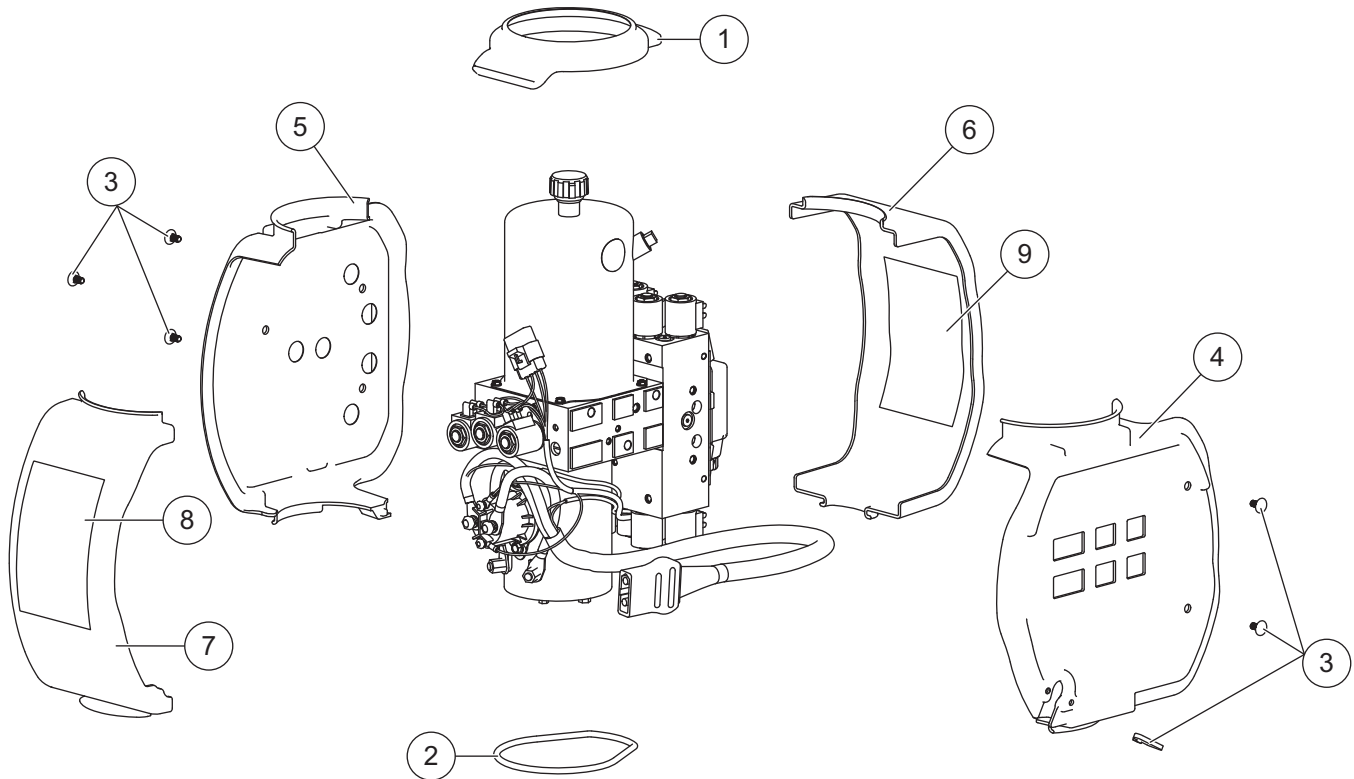


86000, 86100(CH), 86200, 86300, 87000, 87100, 87200, 87300

44330 Hydraulic Unit XV2™							
(Not applicable to Central Hydraulics)							
Item	Part	Qty	Description	Item	Part	Qty	Description
1	21727-2	1	Breather Pressure Control	17	44369	4	Valve Lock Ring w/Screw
2	44327-1	1	Reservoir Kit	18	63943	4	8-18 x 3/8 Tapping Screw
3	66607	4	10-24 x 5/16 Machine Screw	19	48517	1	Quill Assembly 1/2-20 Thread
4	92079	1	Plug, Square 3/8 NPTF	20	44344	1	Plug, Hex Socket –4 M ORB
5	66519	1	O-Ring 2-250	21	7629K-3	1-1/2	Relief Valve Kit (2 sets)
6	73897	1	Magnet	22	44337	2	Relief Valve Kit (2 sets)
7	90080	5	5/16-18 x 2-1/2 Hex Cap Screw G5	23	44333-1	4	Check Valve CV08-20
8	44329-1	1	Pump Kit	24	92960	4	Plug, Hex Socket –3 M ORB
9	26781-3	1	Suction Filter	25	29077	3	O-Ring – 110
10	56274	1	O-Ring – 013	26	29081	5	1/4-20 x 3 Socket Cap Screw
11	66515	1	Pump Shaft Seal	ns	29099	2	1/4-20 x 1/4 Hex Washer-Head Thread-Rolling Screw
12	21500K-1	1	Motor Assembly 4-1/2"	ns	44326	1	1/4-20 x 1/2 6-Lobe Round Washer- Head Screw (pkg of 5)
13	7639K-2	11	Coil with Spade Terminals	ns	44355	2	1/4-20 x 5/8 Hex Washer-Head Thread-Rolling Screw
14	44331	5	Valve SVCV08-20 w/Nut				
15	7634K-2	4	Valve SV08-2004 w/Nut				
16	44335	2	Valve SF08-2015 w/Nut				
O-Ring Service Kits							
–	7632K-3	–	Back-Up/O-Ring Kit	–	49259-2	–	Seal Kit, Valves SV08-30, 31, 33, 40, 43 and SVCV 08-20
–	49258-2	–	Seal Kit, Valves SV08-2004, CV08-20, SF08-2015				
ns = not shown				G = Grade			

* Does not contain O-rings for cartridge valves.

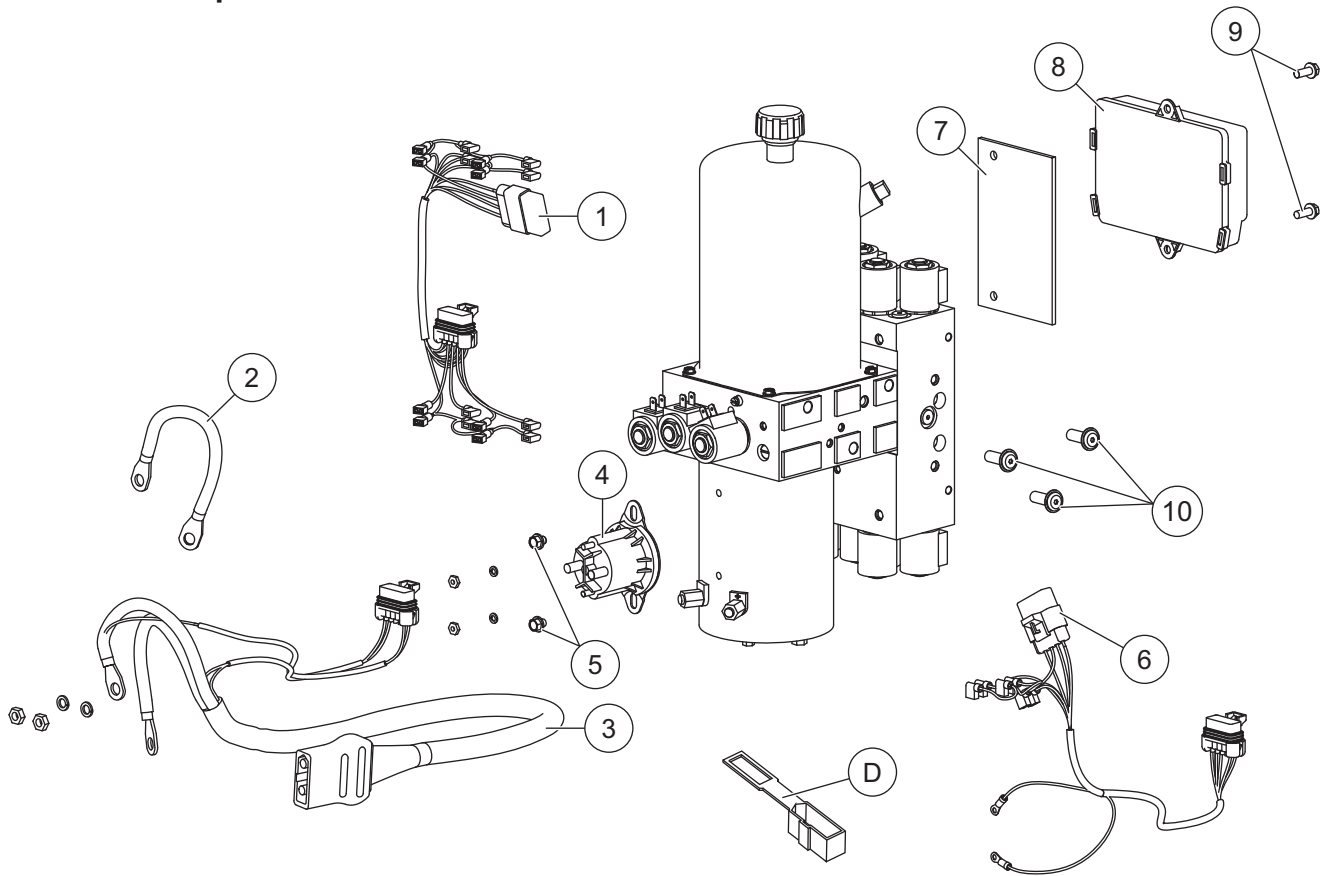
Hydraulic Unit Cover Assembly



44324 Cover Assembly							
Item	Part	Qty	Description	Item	Part	Qty	Description
1	44352	1	Top Retainer Ring	6	44303	1	Cover, Side 3
2	44366	1	Bottom Retainer Ring	7	44304	1	Cover, Side 4
3	44326	1	1/4-20 x 1/2 6-Lobe Round Washer-Head Screw (pkg of 5) w/8" Cable Tie	8	44310	1	Label, Information (S1-S3)
4		1	Cover, Side 1	9	44319	1	Label, Information (S4-S11)
5		1	Cover, Side 2	ns	61536	1	Cable Tie 14"
				ns	43222	1	Label, XV2™ Hydraulic Unit

ns = not shown

Electrical Components



Plow-Side Electrical Components							
Item	Part	Qty	Description	Item	Part	Qty	Description
1	28583	1	Plow Control Harness, 8-Solenoid	8	44354-3	1	Plow Module
2	29071	1	Cable Assembly 8"	9	44355	2	1/4-20 x 5/8 Hex Washer-Head Thread-Rolling Screw
3	42015	1	Snowplow Battery Cable	10	98043	3	3/8-16 x 1 Button Cap Screw
4	42901	1	Motor Relay Kit FLEET FLEX	ns	8329K	2	Dielectric Grease (pkg of 2)
5	29099	2	1/4-20 x 1/4 Hex Washer-Head Thread-Rolling Screw	ns		4	Fuse, 4-amp Mini Automotive Blade-Style (for items 1 and 6)
6	28581-1	1	Plow Control Harness, 3-Solenoid				
7	44308	1	Spacer Module				

Vehicle-Side Electrical Components (Diagrams on following pages.)							
Item	Part	Qty	Description	Item	Part	Qty	Description
A*†	42014	1	Vehicle Battery Cable	D	8291K	2	Plug Cover Kit (shown with plow-side electrical components)
B*	28587	1	Vehicle Control Harness				
C**	26498	1	Vehicle Control Harness – Central Hydraulics				

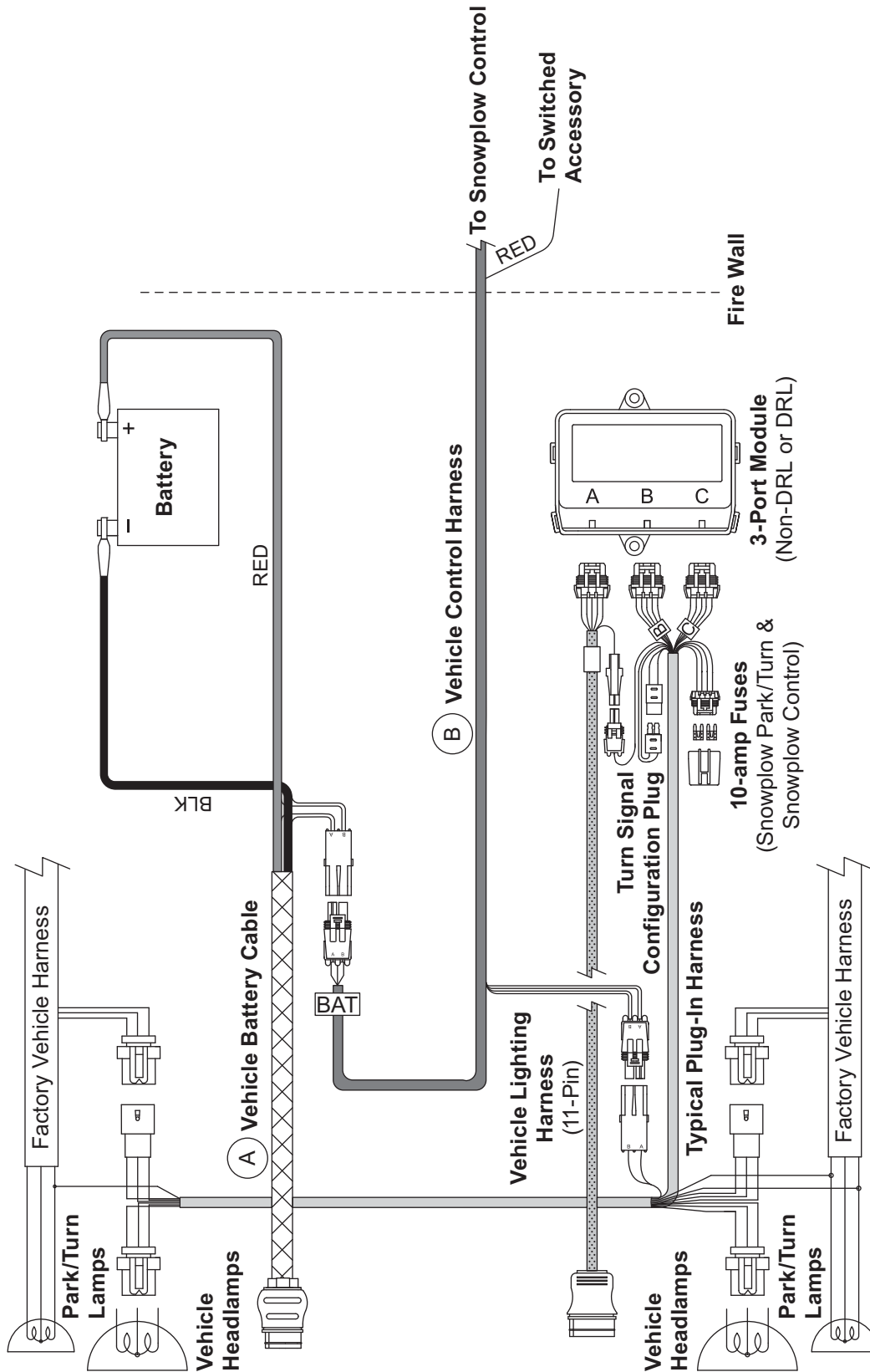
ns = not shown

* See Vehicle-Side Harness Diagram.

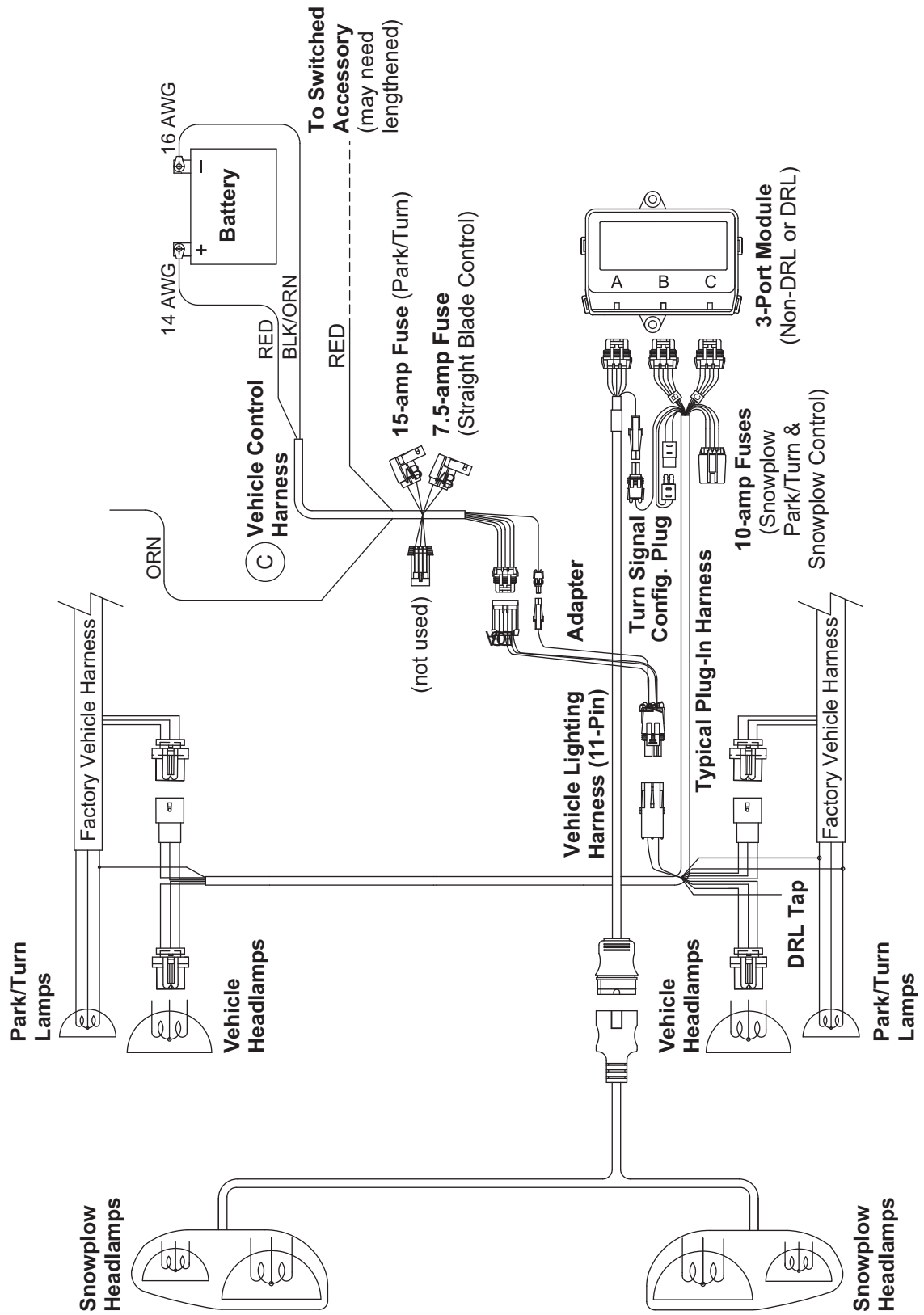
** See Vehicle-Side Harness Diagram – Central Hydraulics.

† Not used for Central Hydraulics.

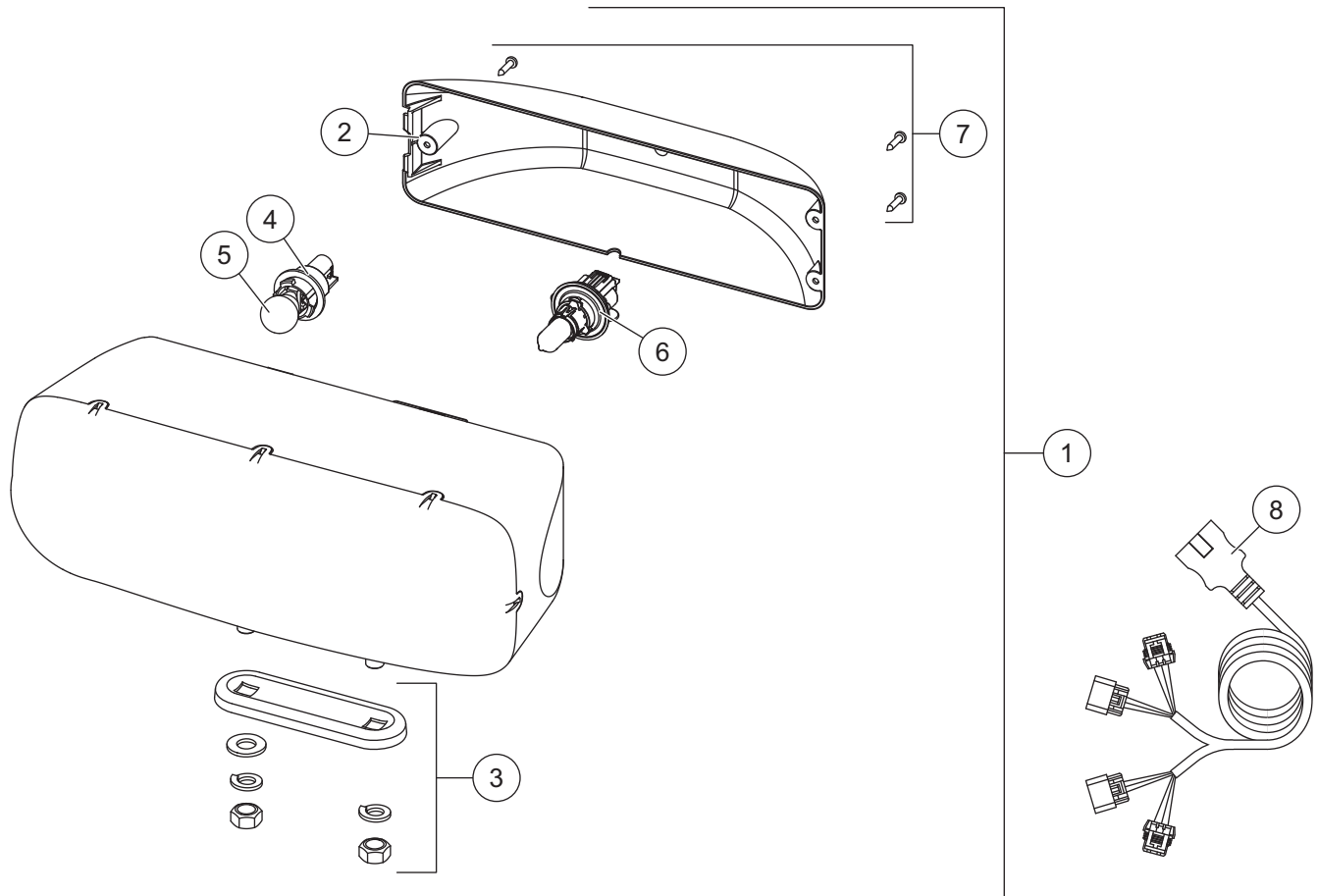
Vehicle-Side Harness Diagram



Vehicle-Side Harness Diagram – Central Hydraulics



Headlamp Kit



28800-1 Headlamp Kit (Pair)							
Item	Part	Qty	Description	Item	Part	Qty	Description
1	28802-1	1	Headlamp Service Kit – PS	5		2	Park/Turn Bulb (trade no. 4157NAK)
ns	28801-1	1	Headlamp Service Kit – DS	6	28806	2	H13 Headlamp Bulb Service Kit
2	28803-1	2	Rear Cover Kit (fits 2- or 3-screw)	7	28808-1	2	Cover Screws Service Kit (pkg of 3)
3	28804	2	Mounting Hardware Kit	8	28213K	1	Harness Service Kit
4	28805	2	Park/Turn Socket Service Kit				

ns = not shown

Copyright © 2013 Douglas Dynamics, LLC. All rights reserved. This material may not be reproduced or copied, in whole or in part, in any printed, mechanical, electronic, film or other distribution and storage media, without the written consent of Fisher Engineering. Authorization to photocopy items for internal or personal use by Fisher Engineering outlets or snowplow owner is granted.

Fisher Engineering reserves the right under its product improvement policy to change construction or design details and furnish equipment when so altered without reference to illustrations or specifications used. Fisher Engineering or the vehicle manufacturer may require or recommend optional equipment for snow removal. Do not exceed vehicle ratings with a snowplow. Fisher Engineering offers a limited warranty for all snowplows and accessories. See separately printed page for this important information. The following are registered (®) or unregistered (™) trademarks of Douglas Dynamics, LLC: FISHER®, Insta-Act®, Minute Mount® 2, SECURITY GUARD™, STORM GUARD™, XV2™.

Printed in U.S.A.
