

HOTSHOT HD

COMMERCIAL BROADCAST SPREADER

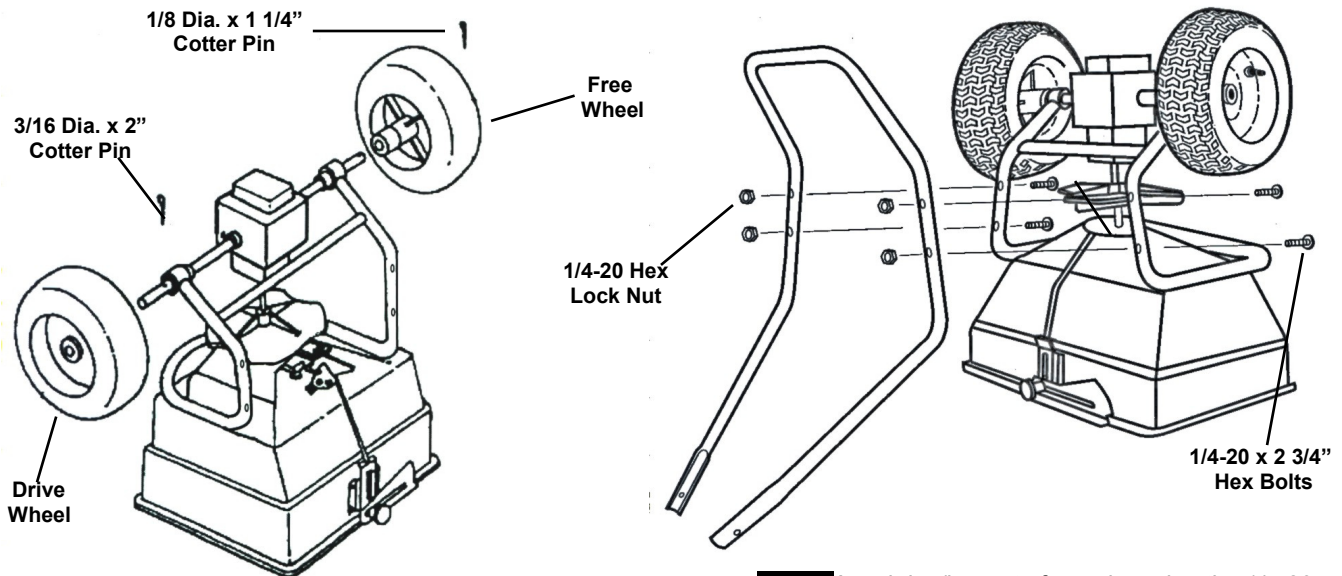


Meyer[®]

MODEL 38160

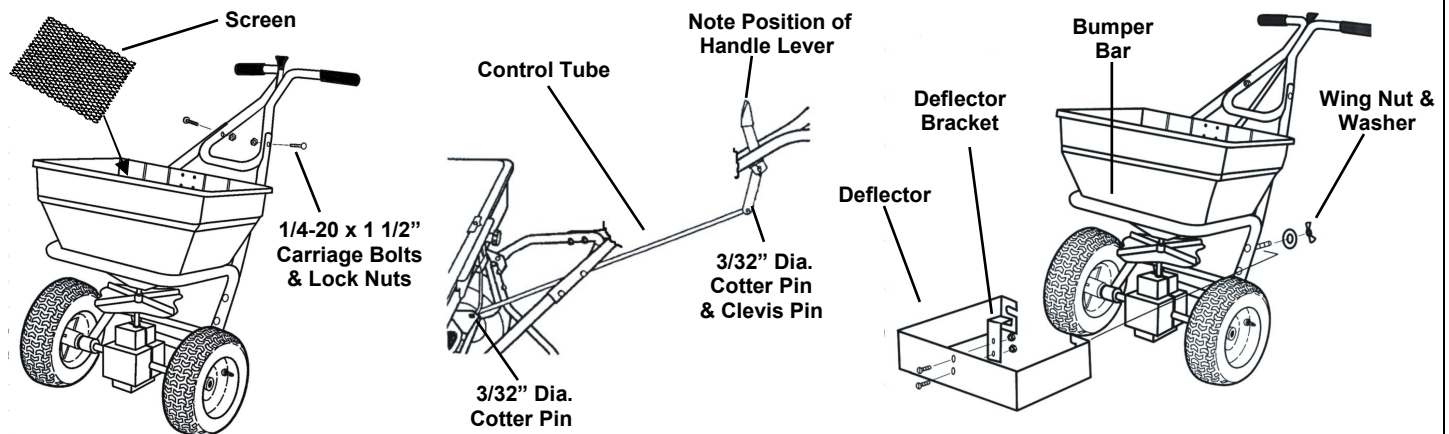
OWNER'S MANUAL

ASSEMBLY



1 Remove spreader and components from carton and place spreader upside down. Slide drive and free wheels on axle as shown with the longer portion of wheel hub facing the frame. Secure free wheel with a 1/8 Dia. x 1 1/4" cotter pin. Secure drive wheel to axle with 3/16" Dia. x 2" cotter pin.

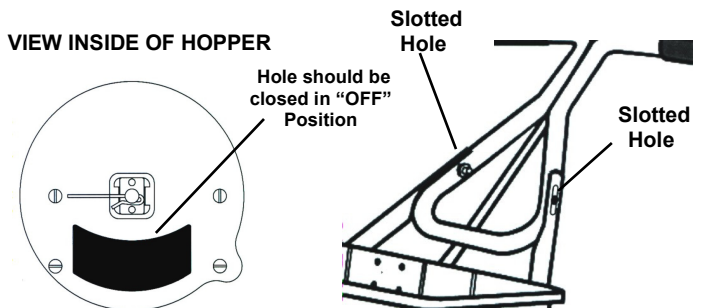
2 Attach leg/brace to frame inserting the 1/4-20 x 2 3/4" bolts from the inside of the frame as shown. Secure with (4) 1/4-20 lock nuts. NOTE: Bolts are extra long and will be used for attaching the ice melt deflector.



3 Turn spreader upright on wheels. Insert screen into hopper sliding it under the screen clips. Attach the upper handle assembly to handle brace with the handle lever facing up as shown. The holes in the handle brace are slotted and will be used to adjust for complete shutoff in step #5. Secure with (2) 1/4-20 x 1 1/2" carriage bolts, and locknuts. Install control tube to handle lever with and a 3/32" dia. cotter pin and clevis pin. Remove tape holding the lower rod to the pivot lever and slip opposite end of control tube over lower control rod. Secure with a 3/32" dia. cotter pin.

4 Install deflector bracket to the **inside** of deflector as shown and secure with (2) #10-24 x 1/2" screws and locknuts. **Note position of holes in the deflector when installing the bracket.** bolts. Hold the ends of the deflector open slightly to clear the spreader frame in the back. Hang the deflector onto the spreader bumper bar. Align the slots in the back of deflector with the top frame bolts and secure both sides of the deflector with washers and wing nuts. To remove, simply loosen the wing nuts, spread the deflector slightly to clear the frame, and slide the deflector off. Retighten wing bolts.

5 To check spreader for complete shutoff, pull the on/off control lever back to the "OFF" position. Determine if the hole in the hopper is completely closed. Also check to make sure shut off plate is not closing too far which will cause the control lever to bind. If adjustment is needed, loosen the two carriage bolts holding the upper handle to the handle brace assembled in step #3. The holes in the brace are slotted to allow the upper handle to be moved. Slide the upper handle toward the hopper to increase the shutoff, move handle in the opposite direction to reduce shutoff. Re-tighten bolts and recheck shutoff.

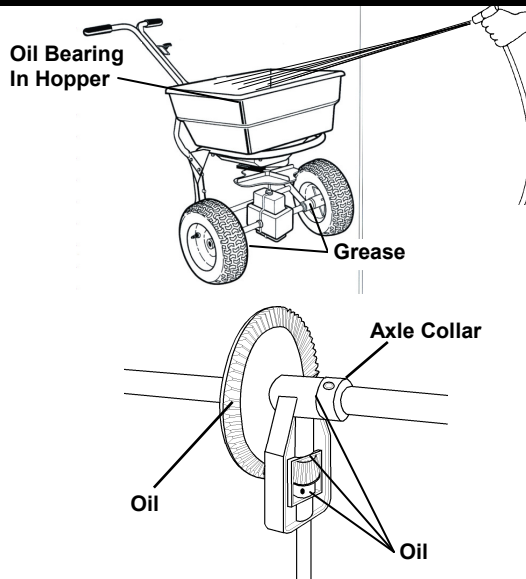


OPERATION

1. The spreader can be used with or without the deflector. With the deflector the overall swath width will be approximately 24" to 30". Without the deflector the spreader will throw most ice melt products 10 feet or more.
2. Always fill the spreader on the driveway or sidewalk-not on the lawn. Make sure screen is in hopper and spreader is in the "OFF" position.
3. Start spreader moving before opening port. Close before stopping. Always push spreader, never pull.
4. Hold handle so top of spreader is level. Tipping the spreader too far can cause uneven spreading.
5. When transporting spreader, make sure that it is in the "OFF" position. Make sure handle lever is locked using the hitch pin through the hole in lever.
6. Empty spreader after each use. Return leftover material to its original container.

MAINTENANCE

1. Never store unused material in spreader. Return unused product to its original container.
2. Wash spreader thoroughly after each use and dry completely in sun or heated area.
3. Grease axle bearings in frame. Oil the impeller shaft bearing in hopper, pivot points on the shut-off plate.
4. Remove gear cover and wash gears thoroughly. Oil all bearing areas and lubricate gear teeth with dry graphite or oil. Re-install gear cover.
5. Gear mesh should be checked on a regular basis during high use periods. Clearance between the axle gear and pinion gear should be minimal but not tight. If adjustment is necessary, loosen axle collar set screw and hold gears together. Slide axle collar against the gear support and tighten axle collar set screw. Spin drive wheel. Gears should run freely and smoothly. Re-install gear cover when finished.
6. Impeller surface should be cleaned periodically to remove build-up of product. Build-up can cause the spread pattern to change.
7. Tire pressure should be 20-25 PSI.



LIMITED WARRANTY

Meyer Products warrants to Purchaser the following:

Meyer Products, Inc., warrants to the original purchaser for a period of one year from the date of purchase of Meyer® and Diamond® brand spreader products that they will be free from defects in materials or workmanship, with the exceptions stated below. No person is authorized to change this warranty or to create any additional warranty on Meyer®/Diamond® products.

Meyer Products will repair any product that proves to be defective in materials or workmanship. In the event repair is not possible or practical (as determined by Meyer Products in its sole discretion), Meyer Products will either replace the product with a new product of similar model and price, or refund the full purchase price, as determined by Meyer Products. Customer must keep the complete spreader system serviced/maintained as recommended by Meyer Products.

This warranty does not cover:

- Problems caused by failure to follow the product instructions, or failure to maintain the product as described in the Operator's Manual;
- Damage resulting from rust, corrosion
- Damage caused by usage that is not in accordance with product instructions (use of the spreader for any purpose other than spreading approved material is considered misuse and abuse);
- Any spreader, or any part, component, or assembly thereof, which has been modified or altered;
- Problems caused by using accessories, parts, or components not supplied by Meyer Products;
- Cost of tax, freight, transportation or storage charges, environmental charges, solvents, sealants, lubricants or any other normal shop supplies.
- Problems caused by collision, fire, theft, vandalism, riot, explosion, lightning, earthquake, windstorm, hail, water, flood, or any other Acts of God;
- Liability for damage to property, or injury to, or death of any person arising out of the operation, maintenance or use of the covered product;
- Products with missing or altered serial numbers;

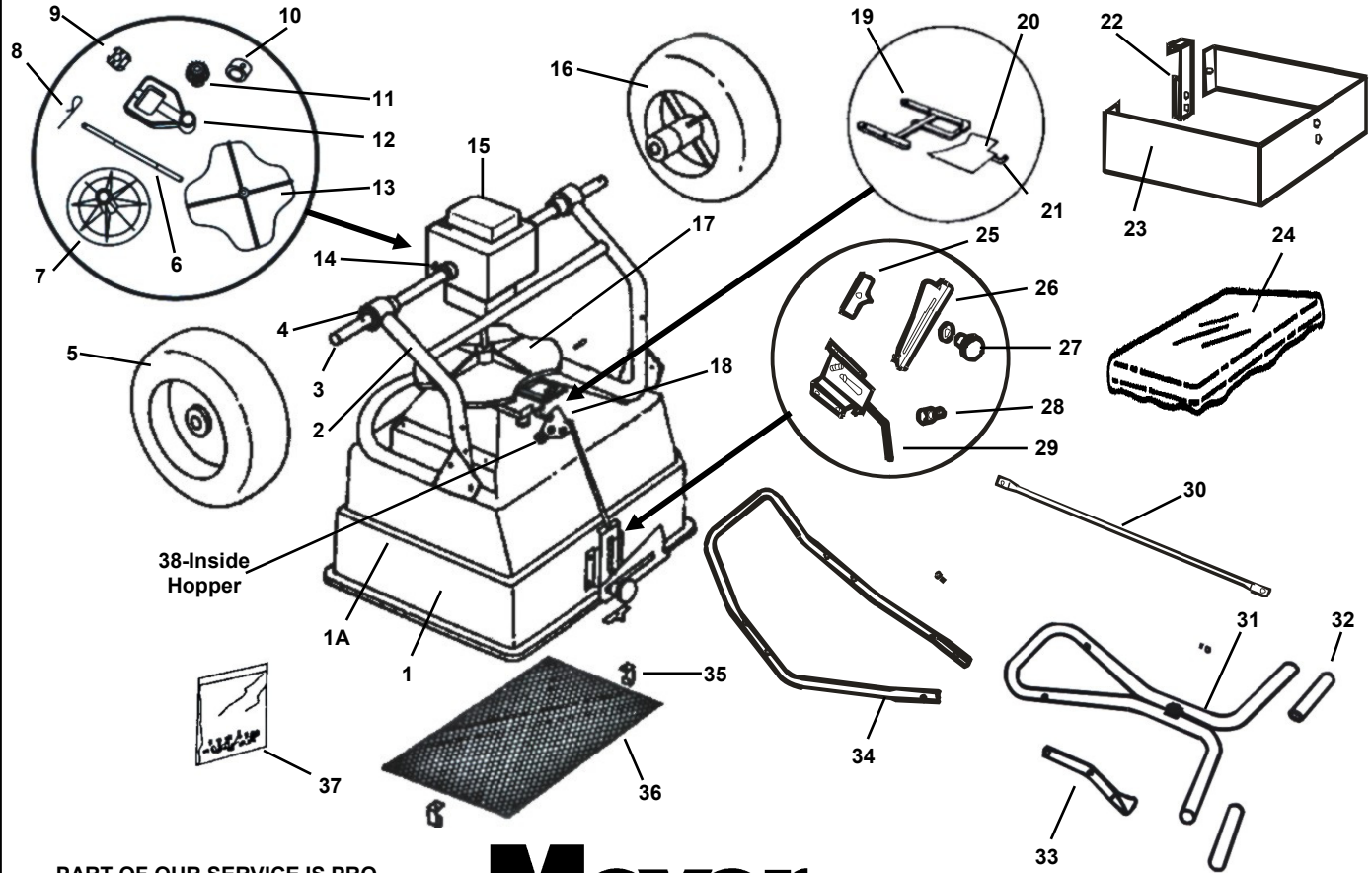
How To Get Service:

• It is the responsibility of the original purchaser to establish the warranty period by verifying the original delivery date. A bill of sale, cancelled check or some other appropriate payment record may be kept for that purpose. It is recommended, but not required, that the consumer verify the original delivery date by immediately returning the attached Warranty Registration Card.

How State Law Applies:

This warranty gives you specific legal rights, and you may also have other rights which vary from state to state.

Parts List for Model 38160



PART OF OUR SERVICE IS PROVIDING REPLACEMENT PARTS, Parts may be obtained through your local distributor. Be sure to give the:

1. SPREADER MODEL NUMBER
2. SPREADER NAME
3. PART NUMBER
4. NAME OF PART AS SHOWN



IF YOUR LOCAL DISTRIBUTOR CANNOT SUPPLY PARTS, CONTACT:

Meyer Products, Inc.

18513 Euclid Ave

Cleveland, Ohio 44112

216-486-1313

www.meyerproducts.com

| # | PART # | DESCRIPTION | # | PART # | DESCRIPTION | # | PART # | DESCRIPTION |
|----|------------|---------------------------|----|------------|-------------------------|----|------------|------------------------|
| 1 | PSB16092 | Hopper* | 13 | PSB16094 | Impeller w/ Roll Pin** | 26 | PSB14915 | Rate Control Plate* |
| 1A | PSB16091 | Hopper Assembly | 14 | PSB14868 | Gear Cover Clamps (3) | 27 | PSB12704 | Rate Knob w/ Washer* |
| 2 | PSB16093 | Frame Ass'y. w/ Bearings | 15 | PSB15753 | Gear Cover (2) | 28 | PSB14913 | Adjusting Swivel* |
| 3 | PSB14860 | Axle | 16 | PSB15951 | Free Wheel w/ Cotter | 29 | PSB14885-1 | Spring Housing Assy* |
| 4 | PSB14855 | Axle Bearings (4) | 17 | PSB16095 | Impeller Assembly | 30 | PSB14916 | Control Tube |
| 5 | PSB15950 | Drive Wheel w/ Cotter Pin | 18 | PSB14878 | Pivot Lever Assembly* | 31 | PSB15498 | Upper Handle Assembly |
| 6 | PSB14867-3 | Impeller Shaft** | 19 | PSB14836 | Shutoff Plate Guide* | 32 | PSB14870 | Handle Grips (2) |
| 7 | PSB14832 | Axle Gear w/ Cotter Pin | 20 | PSB16113 | Shutoff Plate* | 33 | PSB14047 | Handle Lever Assembly |
| 8 | PSB14865 | Agitator | 21 | PSB14846 | Shutoff Plate Link* | 34 | PSB16097 | Handle Brace/Leg |
| 9 | PSB14312-1 | Impeller Bearing Ass'y* | 22 | PSB15750 | Deflector Bracket | 35 | PSB14864 | Screen Clip (2) |
| 10 | PSB14971 | Axle Collar (3) | 23 | PSB16096 | Deflector | 36 | PSB14863 | Hopper Screen |
| 11 | PSB14833 | Pinion Gear w/ Roll Pin** | 24 | PSB14872-1 | Hopper Cover | 37 | PSB16098 | Fastener/Parts Package |
| 12 | PSB14834 | Gear Support** | 25 | PSB12708 | Pointer W/ Screw & Nut* | 38 | PSB14848 | Reinforcing Plate* |

*Parts in hopper ass'y,
**Parts in impeller ass'y,