



**Fisher Engineering**

50 Gordon Drive, Rockland, Maine 04841-2139 • [www.fisherplows.com](http://www.fisherplows.com)

**78001, 78004,  
78007**

June 15, 2016  
Lit. No. 94206, Rev. 03

# Hopper Spreader Components

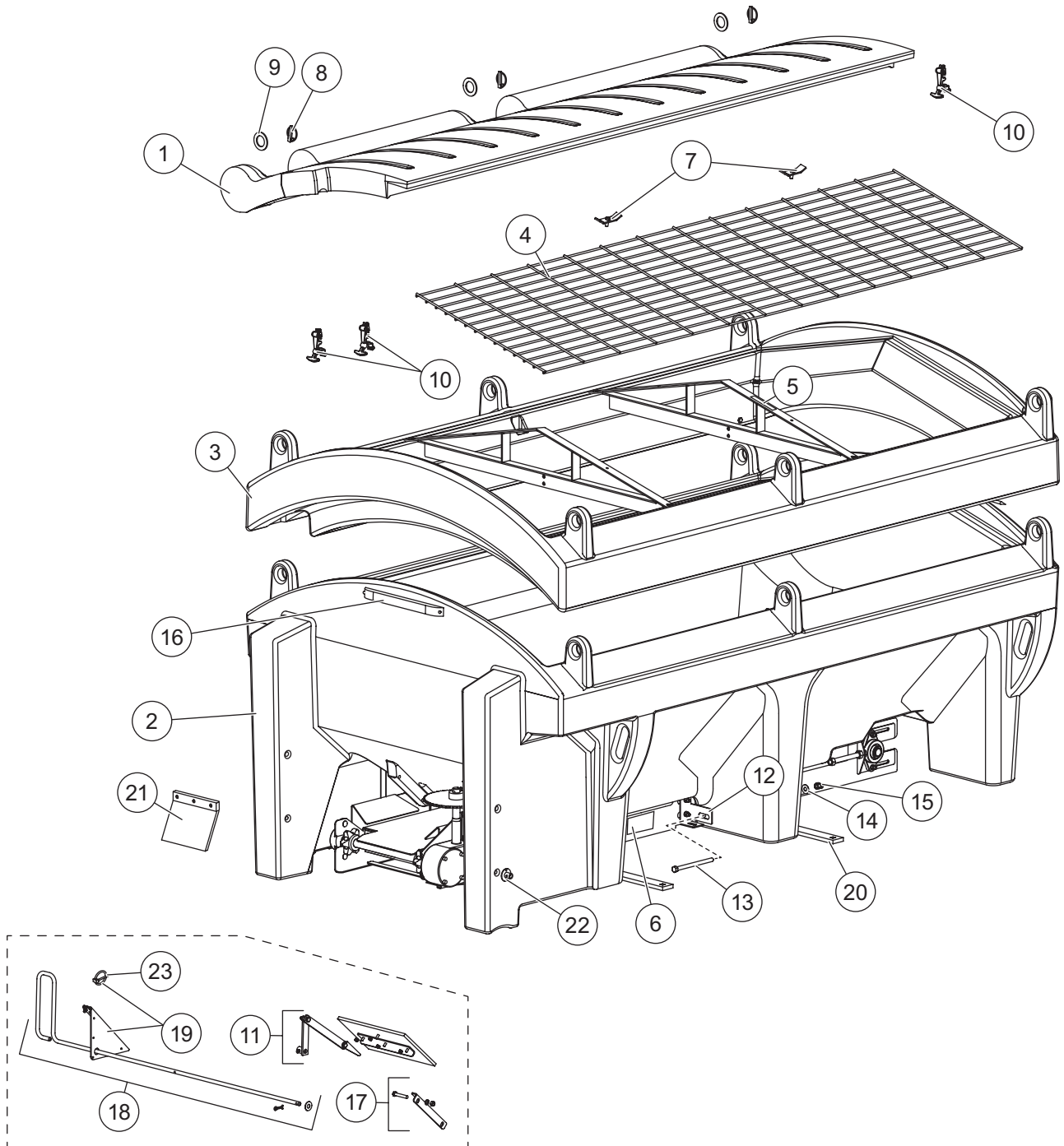
## POLY-CASTER™ Hopper Spreader

### Parts List

This Parts List is for FISHER® POLY-CASTER Hopper Spreaders with serial numbers beginning with 120522 through 160129.

# POLY-CASTER™ HOPPER SPREADER

## HOPPER COMPONENTS

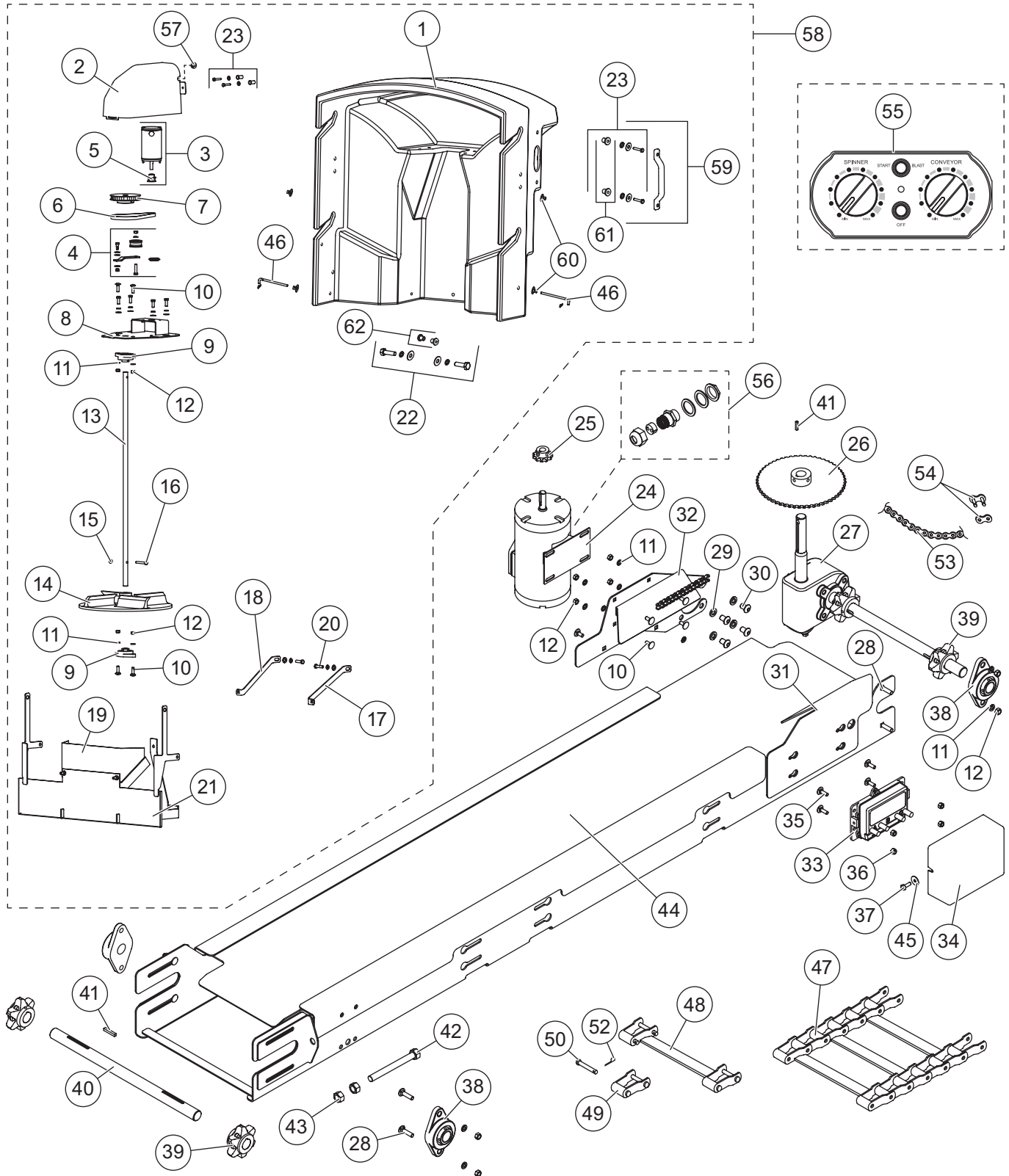


## POLY-CASTER™ HOPPER SPREADER

Hopper Components							
Item	Part	Qty	Description	Item	Part	Qty	Description
1	78018	1	Poly Hopper Lid 7' (DS)	ns	78133	3	Hopper Mounting Bracket (DS)
	78019	1	Poly Hopper Lid 8' (DS)	13	78203	4	1/2-13 x 7-1/2 Hex Cap Screw SS
ns	78020	1	Poly Hopper Lid 7' (PS)	14	68109	4	1/2 Flat Washer SS
	78021	1	Poly Hopper Lid 8' (PS)	15	95834	4	1/2-13 Hex Locknut SS
2	78010	1	Poly Hopper Body 7'	ns	90375	8	3/8-16 x 1 Carriage Bolt SS
	78013	1	Poly Hopper Body 8'	ns	91282	8	3/8 Lock Washer SS
3	78227	1	Poly Hopper 8' Collar	ns	91431	8	3/8-16 Hex Nut SS
4	78115	2	Top Screen, 7' (Painted)	16	78048	1	CHMSL Kit (w/fasteners)
	78116	2	Top Screen, 8' (Painted)	17	78083	2	Feed Gate Guide with Fasteners Kit (incl. 94495 [2], 78047 [1], 91350 [2])
5	78279	2	Top Screen Brace w/Label (67272) Poly Hopper	18	78094	1	Feed Gate Handle Kit (incl. 78029, 90601 [2] and item 14)
6	68584	2	Label – Warning/Caution, Spreaders	19	78098	1	Feed Gate Detent Bracket (incl. 78028 w/fasteners, item 23)
7	96038	4	Wing Bolt	ns	66438	4	3/8-16 x 1-1/2 Hex Cap Screw
8	93010	6	7/16 Linchpin	20	78109	2	Mounting Bar (incl. 78056, 90380 [2] and items 14 [2], 15 [2])
9	78097	6	Washer 2.5 OD x 1.53 ID SS	ns	78242	1	Poly Hopper Collar Hardware Kit
10	65224	3	Strap, Rubber Hold-Down Assembly	21	78177	1	Sprocket Shield Kit
ns	61246	1	Cable Boot	22	78262	2	Chute Attachment Sleeve Kit
ns	8289	1	Boot Bracket	23	93042	1	3/16 Linchpin
ns	96375	1	3/8 x 1 Sheet Metal Screw				
11	78118	1	Feed Gate Assembly Kit, Poly Hopper (incl. 78093, 90601)				
12	78119	3	Hopper Mounting Bracket (PS)				
ns = not shown		SS = Stainless Steel			G = Grade		

# POLY-CASTER™ HOPPER SPREADER

## DRIVE COMPONENTS



# POLY-CASTER™ HOPPER SPREADER

Drive Components							
Item	Part	Qty	Description	Item	Part	Qty	Description
1	78123	1	Chute Cover	44	78192	1	Sill 7'
2	78287	1	Chute Motor Cover		78193	1	Sill 8'
3	78300	1	Motor 12 V DC 1/3 hp (incl. item 5)	45	67155	2	5/16 Flat Washer SS
4	78298	1	Idler Kit	46	78031	1	Chute Attachment Pin Bag (pkg of 2)
5	93101	1	10-Tooth Cogged Belt Pulley	47	78076	1	Pintle Chain (99 Links)
6	78285	1	Gear Belt		94898	1	Pintle Chain (108 Links)
7	78066	1	40-Tooth Cogged Belt Pulley 3/4 Bore	48	68492	AR	Conveyor Repair Bar w/Pins and Cotters
8	78297	1	Chute Motor Base Plate	49	68475	AR	Conveyor Repair Link w/Pins and Cotters
9	96167	2	Pillow Block Bearing 3/4 Bore				
10	90375	28	3/8-16 x 1 Carriage Bolt SS	50	41743	AR	Conveyor Chain Pin w/Cotter
11	91282	18	3/8 Lock Washer SS	52	91897	AR	3/32 x 1/2 Cotter Pin
12	91431	7	3/8-16 Hex Nut SS	53	78075	1	#40 Chain with Master Link
13	78283	1	Spinner Shaft	54	95894	AR	#40 Chain Master Link
14	94424	1	Spinner, Poly	55	78102	1	Cab Control
15	91430	1	5/16-18 Hex Nut SS	56	78201	1	Seal Kit
16	94495	1	5/16-18 x 2-1/4 Hex Cap Screw SS	57	66130	1	Grommet
17	78301	1	Brace, DS	58	78230-1	1	Full Chute Assembly
18	78302	1	Brace, PS	59	78247	2	Chute Handle Kit
19	78294	1	Deflector	60	78262	4	Chute Attachment Sleeve Kit
20	90376	5	3/8-16 x 3/4 Hex Cap Screw SS	61	78269	1	1/4 Well Nut (pkg of 2)
21	78130	1	Spinner Guard	62	78267	1	3/8 Well Nut (pkg of 2)
22	78268	1	3/8 Well Nut Fastener Kit	ns	78199	1	CHMSL Harness Kit
23	78270	1	1/4 Well Nut Fastener Kit	ns	29217	1	Vehicle Power Cable
24	95755-2	1	Motor 12 V DC 1/2 hp	ns	48808	1	Spreader Power Cable
25	95777	1	Sprocket, #40 x 11T x 5/8	ns	29221	1	Vehicle-Side Control Harness
26	78057	1	Sprocket, #40 x 55T x 1	ns	78103	1	Wiring – Module to Motor
27	95567	1	Gear Case 20:1	ns	78104	1	Wiring – Module to Spinner Connector
28	68345	10	3/8-16 x 1-1/2 Carriage Bolt SS	ns	78105	1	Wiring – Spinner Connector to Spinner Motor
29	91284	4	1/2 Lock Washer Spring SS	ns	95836	1	Fuse, 100 Amp
30	68360	4	1/2-13 x 3/4 Button Cap Screw	ns	95837	1	Fuse Holder
31	78131	1	Chain Guard DS Rear	ns	22511	1	22" Battery Cable
32	78132	1	Chain Guard PS Rear	ns	78246	1	Control Bracket Kit
33	78178-1	1	Control Module – Dual Motor	ns	8291K	1	Plug Cover Kit
34	78108	1	Module Cover	ns	78266	1	Chain Wiper Kit
35	90556	4	5/16-18 x 1 Carriage Bolt				
36	91350	4	5/16-18 Hex Locknut GB SS				
37	90381	2	1/4-20 x 3/4 Hex Cap Screw SS				
38	94536	3	1-1/8 Bearing, 2-Bolt Flange				
39	65909	4	Drive Sprocket, 6T				
40	94351	1	Idler Shaft				
41	65174	5	Machine Key 1/4 sq x 1-1/2				
42	65609	2	5/8-11 x 6 Take-Up Bolt SS				
43	91435	4	5/8-11 Hex Nut				

ns = not shown

SS = Stainless Steel

AR = As Required

G = Grade

‡ = For use on motors with 5/16" shaft only

**See page 6 for Accessories parts list.**

# POLY-CASTER™ HOPPER SPREADER

---

Accessories							
Item	Part	Qty	Description	Item	Part	Qty	Description
ns	78197	1	License Plate Light Kit	ns	78204	1	Vehicle-Side Harness Kit
ns	78198	1	Work Light Kit	ns	78195	1	Vibrator Kit
ns	78120	1	Inverted Vee Kit, 8' Models	ns	78150	1	Inverted Vee Kit, 7' Models
ns = not shown		SS = Stainless Steel		AR = As Required		G = Grade	

Copyright © 2016 Douglas Dynamics, LLC. All rights reserved. This material may not be reproduced or copied, in whole or in part, in any printed, mechanical, electronic, film or other distribution and storage media, without the written consent of Fisher Engineering. Authorization to photocopy items for internal or personal use by Fisher Engineering outlets or spreader owner is granted.

Fisher Engineering reserves the right under its product improvement policy to change construction or design details and furnish equipment when so altered without reference to illustrations or specifications used. Fisher Engineering or the vehicle manufacturer may require or recommend optional equipment for spreaders. Do not exceed vehicle ratings with a spreader. Fisher Engineering offers a limited warranty for all spreaders and accessories. See separately printed page for this important information. The following are registered (®) or unregistered (™) trademarks of Douglas Dynamics, LLC: FISHER®, POLY-CASTER™.

**Printed in U.S.A.**