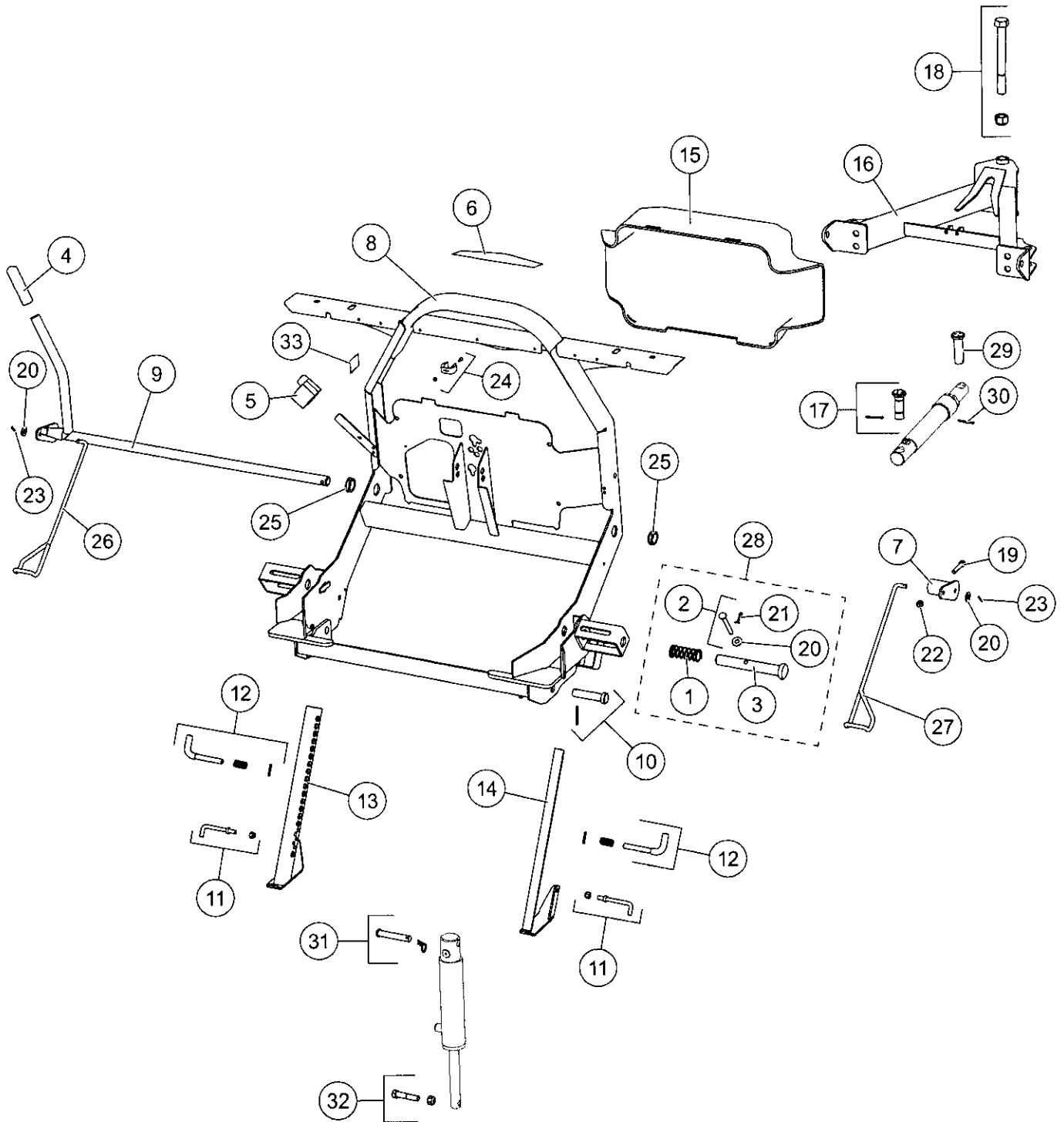


### Headgear and A-Frame Components



HT Series™ Headgear and A-Frame Components							
Item	Part	Qty	Description	Item	Part	Qty	Description
1	821	2	3/4 x 3-1/2 Compression Spring	18	69667	1	Bolt Kit
2	26219	1	Clevis Pin Kit	19	90043	1	3/8-16 x 2 Hex Cap Screw G5
3	26833	2	1 x 6-15/16 Pin	20	90315	4	3/8 Flat Washer
4	27535	1	Handle Cover Kit	21	90658	2	5/32 x 1-1/4 Cotter Pin
5	8284K	1	Cable Boot	22	91333	1	3/8-16 Hex Locknut GB
6	69371	1	Headgear Label	23	91902	1	1/8 x 1 Cotter Pin
7	69683	1	Link Arm	24	27162K-1	1	Stop Clip Kit
8	69832	1	Headgear	25	27163K	1	Bushing Kit (pkg of 2)
9	69838	1	Handle, Link Arm Assembly	26	27166K	1	Wire Cam Kit – DS
10	69607	2	Clevis Pin Kit	27	27167K	1	Wire Cam Kit – PS
11	27164K	2	Handle Kit	28	27168K	2	Connecting Pin Kit
12	69618	2	Stand Pin Release Kit	29	93074	2	1 x 3-1/4 Clevis Pin
13	69842	1	HT Jack Leg – DS	30	91911	2	5/32 x 1-1/2 Cotter Pin
14	69843	1	HT Jack Leg – PS	31	50653	1	5/8 x 3-1/2 Pin Kit
15	69650	1	Hydraulic Cover	32	69669	1	Lift Ram Pin Kit (Rod)
16	69523	1	A-Frame	33	69689	1	Label – Logo, SECURITY GUARD™
17	69666	2	Pin Kit				
<b>Item 2</b>				<b>26219 Clevis Pin Kit</b>			
		1	3/8 x 3-1/4 Clevis Pin	21	90658	1	5/32 x 1-1/4 Cotter Pin
20	90315	1	3/8 Flat Washer				
<b>Item 28</b>				<b>27168K Connecting Pin Kit</b>			
1	821	1	3/4 x 3-1/2 Compression Spring	3	26833	1	1 x 6-15/16 Pin
2	26219	1	Clevis Pin Kit				
G = Grade							