

# FLEETFLEX

ELECTRICAL SYSTEM

## OWNER'S MANUAL

*Original Instructions*

April 1, 2016  
Lit. No. 43876, Rev. 02



**Automatixx**<sup>®</sup>  
ATTACHMENT SYSTEM



### **⚠ CAUTION**

**Read this document before operating or servicing snowplow.**

This manual supersedes all editions with an earlier date.

# SNOWPLOW OWNER DATA SHEET

---

---

*Register your snowplow online at [www.snowexproducts.com](http://www.snowexproducts.com)*

Owner Name: \_\_\_\_\_

Date Purchased: \_\_\_\_\_

Dealer Name: \_\_\_\_\_ Phone: \_\_\_\_\_

Dealer Address: \_\_\_\_\_

Vehicle Model/Year: \_\_\_\_\_

Snowplow Model/Year: \_\_\_\_\_

Snowplow Type/Size: \_\_\_\_\_ Weight: \_\_\_\_\_ lb/kg

Ballast: No \_\_\_ Yes \_\_\_ Amount \_\_\_\_\_ lb/kg

Hydraulic Unit Serial Number: \_\_\_\_\_

Blade Serial Number (see label on back of blade): \_\_\_\_\_

# TABLE OF CONTENTS

Snowplow Owner Data Sheet .....	3	Hydraulic System .....	24
Preface .....	7	System Capacity .....	26
Safety .....	8	Pump Motor Specifications .....	26
Vehicle Application Information .....	16	Cab Controls .....	28
Ballast Requirements .....	17	Straight Blade & SPEEDWING Snowplows ..	29
Getting to Know Your Snowplow .....	18	POWER PLOW & HDV Snowplows.....	30
Automatixx® System.....	18	Accessories.....	31
Blades .....	19	Attaching Snowplow to Vehicle .....	33
6800LT and 7200LT .....	19	Operating Your Snowplow .....	37
7600RD and 8000RD .....	19	Straight Blade & SPEEDWING Controls.....	37
HD .....	19	POWER GRIP™ Hand-Held Control .....	37
POWER PLOW™ .....	20	Joystick Control.....	40
SPEEDWING™ .....	20	POWER PLOW & HDV Controls.....	42
HDV™ V-Plow .....	20	POWER GRIP Hand-Held Control .....	44
A-Frame/T-Frame, Quadrant and Headgear ...	21	Joystick Control.....	48
SPEEDWING, POWER PLOW, and		FLEET FLEX Electrical System.....	53
Straight Blade Snowplows .....	21	SECURITY GUARD™ System .....	54
HDV™ Snowplow .....	21	Smooth Stop/Soft Stop .....	58
Snowplow Weights .....	22	One-Touch FLOAT .....	59
Mount Kits .....	22	SPEEDWING Blade Positions .....	60
STORM SEEKER™ Snowplow Headlamps.....	23	POWER PLOW Blade Positions .....	62
		HDV Blade Positions.....	64

# TABLE OF CONTENTS

---

<i>Operating Your Snowplow, continued</i>		Maintenance.....	81
Snowplow Headlamp Check .....	67	Aiming Headlamp Beams.....	81
Hydraulic System .....	68	Preseason Check.....	83
Blade Drop Speed Adjustment.....	68	Postseason Maintenance.....	84
Transporting Snowplow.....	70	Maintenance and Adjustment.....	85
Driving and Plowing on Snow and Ice .....	71	Greasing HDV™ Pivot Pin Hinge.....	86
Plowing Snow.....	72	Hydraulic System .....	87
General Instructions.....	73	Fluid Level.....	87
Hard Packed Snow .....	73	Annual Fluid Change .....	88
Deep Snow .....	73	Hose or Fitting Replacement .....	90
Clearing Driveways .....	74	Installing Hydraulic Fittings and Hoses.....	91
Clearing Parking Lots .....	75	Fuse Replacement .....	92
Parking with Snowplow Attached.....	75	Vehicle.....	92
Towing a Disabled or Stuck Vehicle.....	75	Recycle .....	92
Detaching Snowplow from Vehicle		Blade Finish .....	93
and Storage .....	76	Emergency Parts/Tools.....	93
		Troubleshooting.....	94

# PREFACE

---

This manual has been prepared to acquaint you with the safety information, operation and maintenance of your new SnowEx® snowplow. Please read this manual carefully and follow all recommendations.

Before installing a snowplow, make sure your vehicle is equipped with all the vehicle manufacturer's and our required options for plowing. This will help ensure profitable and trouble-free operation of your snowplow. Keep this manual accessible. It is a handy reference in case minor service is required.

Your SnowEx snowplow hydraulic unit and blade both have a serial number. Record these serial numbers on the Snowplow Owner Data Sheet at the front of this manual for reference when necessary.

When service is necessary, bring your snowplow to your local SnowEx outlet. They know your snowplow best and are interested in your complete satisfaction.

The illustrations found in this manual represent typical components. They may not match your exact installation.

Most of the information in this Owner's Manual applies to all Automatixx® applications. Differences among straight blade, POWER PLOW™, SPEEDWING™, or HDV™ applications are called out in the text or under separate headings, as required.

# SAFETY

---

## SAFETY DEFINITIONS

### **WARNING**

Indicates a potentially hazardous situation, that if not avoided, could result in death or serious personal injury.

### **CAUTION**

Indicates a potentially hazardous situation that, if not avoided, may result in minor or moderate injury. It may also be used to alert against unsafe practices.

**NOTE:** Indicates a situation or action that can lead to damage to your snowplow and vehicle or other property. Other useful information can also be described.

---

## WARNING/CAUTION & INSTRUCTION LABELS

Become familiar with and inform users about the warning/caution and serial number labels on the back of the blade and the instruction label on the headgear.

---

**NOTE:** If labels are missing or cannot be read, see your sales outlet.

---


# SAFETY

## Instruction Labels – POWER PLOW™, SPEEDWING™, and Straight Blades

## Attach/Detach Label


### Warning/Caution Label

**WARNING**

 Lower blade when vehicle is parked.  
Do not exceed GVWR or GAWR including blade and ballast.

---

**CAUTION**

 Read Owner's Manual before operating or servicing snowplow.  
Transport speed should not exceed 45 mph (72 km/h). Further reduce speed under adverse travel conditions.  
Plowing speed should not exceed 10 mph (16 km/h).  
See your sales outlet/Web site for specific vehicle application recommendations.

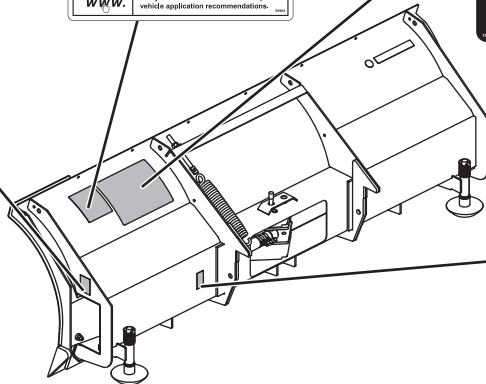
### Multiple Pinch Points Label

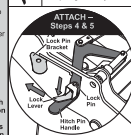
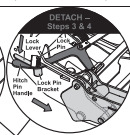
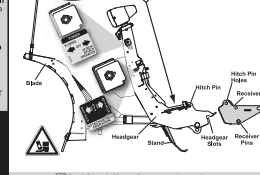
**WARNING**



**Multiple Pinch Points**

### POWER PLOW & SPEEDWING Blades Only (Both Sides)



ATTACH	⚠️ WARNING	DETACH
<ol style="list-style-type: none"> <li>Slowly drive vehicle forward to engage receiver pins into headgear slots.</li> <li>Move power switch to center or "OFF" position.</li> <li>Plug in electrical harnesses.</li> <li>Push and hold power switch and attach/detach operation switch RIGHT to rotate headgear up until hitch pins are aligned with the hitch pin holes on receivers. Release both switches.</li> <li>Hold down back lever and move hitch pin handle forward to fully engage hitch pins in receivers. Release lock lever to engage lock pin into hole in lock pin bracket.</li> <li>Move power switch to LEFT or "PLOWING" position.</li> </ol>	<p>Keep fingers away from snowplow and truck attachment points.</p> <div style="display: flex; justify-content: space-around;"> <div style="text-align: center;"> <p><b>ATTACH – Steps 4 &amp; 5</b></p>  </div> <div style="text-align: center;"> <p><b>DETACH – Steps 3 &amp; 4</b></p>  </div> </div> 	<ol style="list-style-type: none"> <li>From inside the cab, lower snowplow onto ground with blade straight. Turn lever in vehicle OFF.</li> <li>Push and hold power switch RIGHT and push and hold attach/detach operation switch RIGHT momentarily to rotate headgear up and release load on hitch pins.</li> <li>Hold down back lever to disengage lock pin and move hitch pin handle forward into notch in the end of hole to fully disengage hitch pins from receivers.</li> <li>Push and hold power switch RIGHT and push and hold attach/detach operation switch LEFT to rotate headgear down until stand contacts ground and hydraulic unit turns OFF.</li> <li>Unplug electrical harnesses.</li> </ol>

**Automatix**  
WORKING TOGETHER

Read Owner's Manual for complete instructions.

US patents: 6,426,816; 6,899,007; 6,263,470; 6,278,216; 6,383,177; 6,468,046; 6,412,160; 6,442,877; 6,526,677; 6,816,813; 6,828,757; 7,314,227; 7,400,006; 6,430,221; 7,272,026; CAN: patents: 2,169,922; 2,229,120; 2,229,926; 2,324,227; 2,325,143; 2,330,244; 2,466,182; 6,823,822; and/or pending applications.

**WARNING**





**Crush hazard**  
Keep feet clear


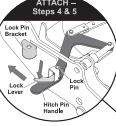
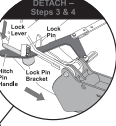
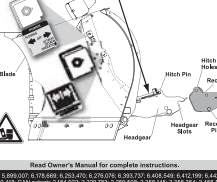

### Foot Crush Hazard Label

# SAFETY

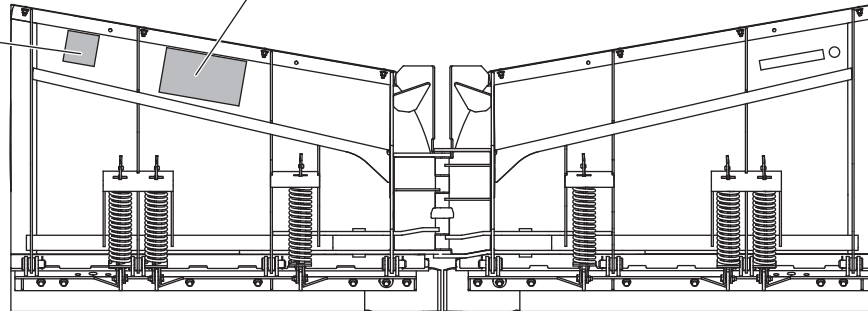
## Instruction Labels – HDV™ Blade

### Warning/Caution Label

<b>⚠ WARNING</b>
 <p>Lower blade when vehicle is parked.</p> <p>Do not exceed GVWR or GAWR including blade and ballast.</p>
<b>⚠ CAUTION</b>
 <p>Read Owner's Manual before operating or servicing snowplow.</p> <p>Transport speed should not exceed 45 mph (73 km/h). Further reduce speed under adverse travel conditions.</p> <p>Plowing speed should not exceed 40 mph (64 km/h).</p> <p>See your state outlet/Website for specific vehicle application recommendations.</p>

ATTACH	⚠ WARNING	DETACH
<ol style="list-style-type: none"> <li>Slowly drive vehicle forward to engage receiver pins into headgear slots.</li> <li>Move power switch to center or "OFF" position.</li> <li>Plug in electrical harnesses.</li> </ol> 	<p>Keep fingers away from snowplow and truck attachment points.</p> <div style="display: flex; justify-content: space-around;"> <div style="text-align: center;"> <p>ATTACH – Steps 4 &amp; 5</p>  </div> <div style="text-align: center;"> <p>DETACH – Steps 2 &amp; 4</p>  </div> </div> 	<ol style="list-style-type: none"> <li>From inside the cab, lower snowplow onto ground with blade in new position. Turn flow control in vehicle OFF.</li> <li>Push and hold power switch RIGHT and push and hold attach/detach operation switch RIGHT momentarily to rotate headgear up and release lock on hitch pins.</li> <li>Hold down lock lever to disengage lock pin and move hitch pin handle rearward into notch in end of slot to fully disengage hitch pins from receivers.</li> <li>Push and hold power switch RIGHT and push and hold attach/detach operation switch LEFT to rotate headgear down and stacking stop contacts. Tracing and hydraulic unit turns OFF.</li> <li>Unplug electrical harnesses.</li> </ol> 
<p><b>Automatix</b> ATTACHMENT SYSTEM</p> <p>Read Owner's Manual for complete instructions.</p> <p><small>US Patents 6,618,016; 6,889,008; 6,978,008; 6,978,009; 6,983,070; 6,983,044; 6,983,045; 6,983,071; 6,978,013; 7,014,227; 7,002,016; 7,400,421; 7,373,701; 7,007,418; CAN Patents 2,944,221; 2,225,783; 2,293,506; 2,304,142; 2,364,304; 2,466,106; 2,502,833; and other patents pending.</small></p> <p style="text-align: right;"><b>SNOWEX</b></p>		

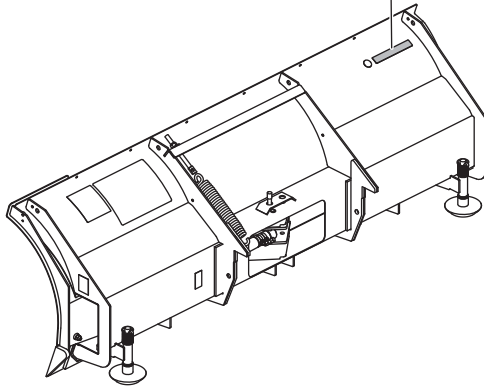
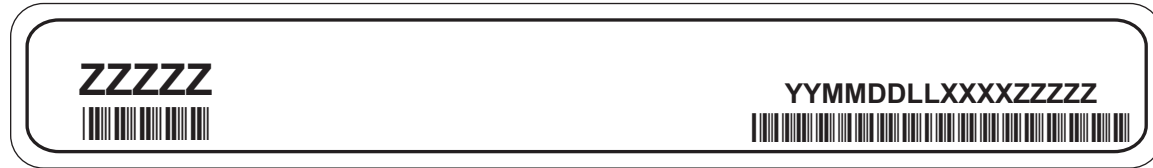
### Attach/Detach Label





# SAFETY

## Serial Number Label



Code	Definition
YY	2-Digit Year
MM	2-Digit Month
DD	2-Digit Day
LL	2-Digit Location Code
XXXX	4-Digit Sequential Number
ZZZZZZ	5- or 6- Digit Blade Assembly PN

# SAFETY

## SAFETY PRECAUTIONS

Improper installation and operation could cause personal injury and/or equipment and property damage. Read and understand labels and the Owner's Manual before installing, operating or making adjustments.

### WARNING

Lower the blade when the vehicle is parked. Temperature changes could change hydraulic pressure, causing the blade to drop unexpectedly or damaging hydraulic components. Failure to do this could result in serious personal injury.

### WARNING



Do not exceed GVWR or GAWR including the blade and ballast. The rating label is found on the driver-side vehicle door cornerpost.

### WARNING

Remove blade assembly before placing vehicle on hoist.

### CAUTION

Read Owner's Manual before operating or servicing snowplow.

### CAUTION

Transport speed should not exceed 45 mph (72 km/h). Further reduce speed under adverse travel conditions.

### CAUTION

Plowing speed should not exceed 10 mph (16 km/h).

### CAUTION

See your SnowEx® outlet for application recommendations.

# SAFETY

## HYDRAULIC SAFETY

### WARNING



**Hydraulic fluid under pressure can cause skin injection injury. If you are injured by hydraulic fluid, get medical attention immediately.**

- Always inspect hydraulic components and hoses before using. Replace any damaged or worn parts immediately.
- If you suspect a hose leak, **DO NOT** use your hand to locate it. Use a piece of cardboard or wood.

## FUSES

The SnowEx® electrical and hydraulic systems contain several automotive blade-style fuses. If a problem should occur and fuse replacement is necessary, the replacement fuse must be of the same type and amperage rating as the

original. Installing a fuse with a higher rating can damage the system and could start a fire. Fuse Replacement, including fuse ratings and locations, is located in the Maintenance section of this Owner's Manual.

## PERSONAL SAFETY

- Remove ignition key and put the vehicle in park or in gear to prevent others from starting the vehicle during installation or service.
- Wear only snug-fitting clothing while working on your vehicle or snowplow.
- Do not wear jewelry or a necktie, and secure long hair.
- Wear safety goggles to protect your eyes from battery acid, gasoline, dirt, and dust.
- Avoid touching hot surfaces such as the engine, radiator, hoses, and exhaust pipes.
- Always have a fire extinguisher rated BC handy, for flammable liquids and electrical fires.

# SAFETY

---

## FIRE AND EXPLOSION

### WARNING

**Gasoline is highly flammable and gasoline vapor is explosive. Never smoke while working on vehicle. Keep all open flames away from gasoline tank and lines. Wipe up any spilled gasoline immediately.**

Be careful when using gasoline. Do not use gasoline to clean parts. Store only in approved containers away from sources of heat or flame.

## CELL PHONES

A driver's first responsibility is the safe operation of the vehicle. The most important thing you can do to prevent a crash is to avoid distractions and pay attention to the road. Wait until it is safe to operate Mobile Communication Equipment such as cell phones, text messaging devices, pagers or two-way radios.

## VENTILATION

### WARNING

**Vehicle exhaust contains lethal fumes. Breathing these fumes, even in low concentrations, can cause death. Never operate a vehicle in an enclosed area without venting exhaust to the outside.**

# SAFETY

---

## BATTERY SAFETY

### CAUTION

**Batteries normally produce explosive gases, which can cause personal injury. Therefore, do not allow flames, sparks or lit tobacco to come near the battery. When charging or working near a battery, always cover your face and protect your eyes, and also provide ventilation.**

- **Batteries contain sulfuric acid, which burns skin, eyes and clothing.**
- **Disconnect the battery before removing or replacing any electrical components.**

## NOISE

Airborne noise emission during use is below 70 dB(A) for the snowplow operator.

## VIBRATION

Operating snowplow vibration does not exceed 2.5 m/s<sup>2</sup> to the hand–arm or 0.5 m/s<sup>2</sup> to the whole body.

# VEHICLE APPLICATION INFORMATION

---

## CAUTION

**See your SnowEx® outlet/website for specific vehicle application recommendations before installation. The Power Match selection system has specific vehicle and snowplow requirements.**

Vehicle application recommendations are based on the following:

- The vehicle with the snowplow installed must comply with applicable Federal Motor Vehicle Safety Standards (FMVSS).
- The vehicle with the snowplow installed must comply with the vehicle manufacturer's stated gross vehicle and axle weight ratings (found on the driver-side door cornerpost of the vehicle) and the front and rear weight distribution ratio. In some cases, rear ballast may be required to comply with these requirements. See "Ballast Requirements" in this section.
- SnowEx Power Match selection system is based on available vehicle capacity for snowplow equipment on a representative vehicle equipped with options commonly used for plowing and with 300 lb of front seat occupant weight.
- Weights of front seat occupants can be adjusted above 300 lb, but vehicle with snowplow must not exceed vehicle GVWR or GAWR.
- In some cases there may be additional limitations and requirements.
- Installation, modification and addition of accessories must comply with published SnowEx recommendations and instructions. Available capacity decreases as the vehicle is loaded with cargo or other truck equipment, or snowplow accessories are installed.
- If there is uncertainty as to whether available capacity exists, the actual vehicle as configured must be weighed.

# VEHICLE APPLICATION INFORMATION

---

## BALLAST REQUIREMENTS

Ballast (additional weight) is an important part of qualifying vehicles for snowplow eligibility. Rear ballast must be used when necessary to remain in compliance with axle ratings and ratios as specified by the vehicle manufacturer.

If ballast is required, it is important that it be secured properly behind the rear axle. A ballast retainer kit is available from your SnowEx® outlet (PN 62849).

---

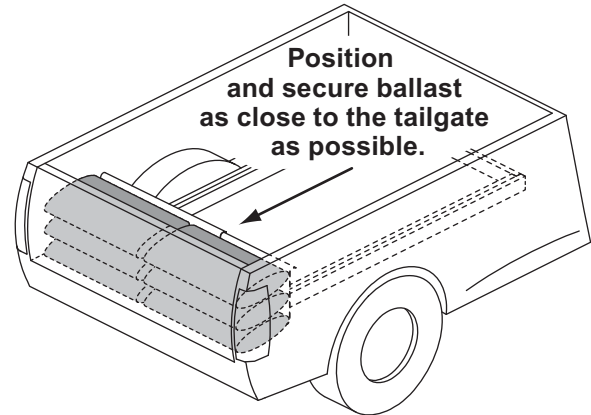
**NOTE: The ballast retainer kit is for snowplow vehicles requiring ballast. See your SnowEx outlet for the correct amount of ballast required. Include the weight of the retainer as part of the ballast requirement. Sand bags are recommended for use as ballast.**

---

---

**NOTE: Ballast recommended and its weight calculations assume the entire width of the bed is filled as close to tailgate as possible.**

---



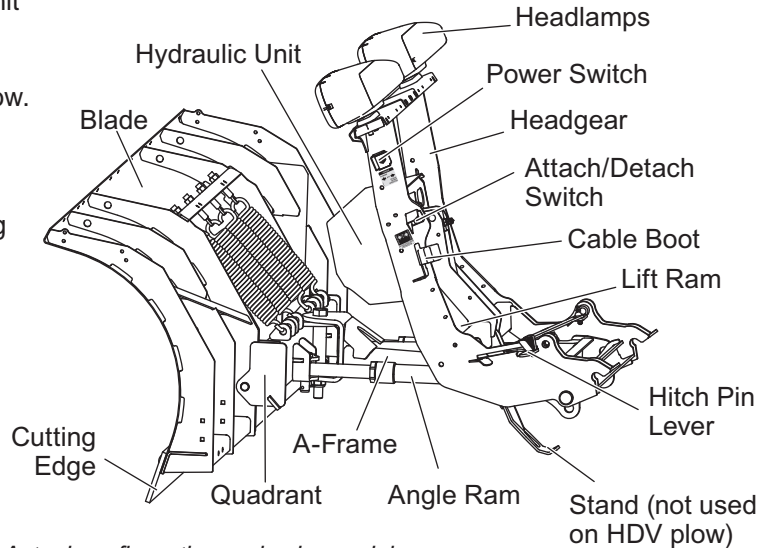
# GETTING TO KNOW YOUR SNOWPLOW

## Automatix® SYSTEM

The SnowEx® snowplow consists of all the components that are readily removable from the vehicle as a unit. This includes the blade, quadrant, headgear, A-frame, hydraulic unit and the STORM SEEKER™ snowplow headlamps. The snowplow is ready and easy to mount when you need to plow snow. When plowing is completed, remove the snowplow.

The snowplow shall be installed according to instructions supplied. SnowEx outlets are trained to provide this service and other services for this snowplow.

When the snowplow is off the vehicle, (see blade label or "Detaching Snowplow" in the Detaching Snowplow from Vehicle & Storage section of this manual), the complete snowplow can be moved around on most hard surfaces.



*Actual configuration varies by model.*



# GETTING TO KNOW YOUR SNOWPLOW

---

## BLADES

SnowEx® snowplows use high-strength steel components to maximize strength and reduce weight where necessary. All products feature vertical ribs for added strength and stability, and straight blades utilize a formed base channel.

SnowEx blades have replaceable high-carbon steel cutting edges bolted to the bottom. Cutting edges should be replaced when worn to the bottom edge of the blade. SPEEDWING™ wing cutting edges are adjustable for wear. (See the Maintenance section in this manual.)

## 6800LT and 7200LT

The 6800LT and 7200LT snowplows are designed for personal use.

## 7600RD and 8000RD

The 7600RD and 8000RD blades are full-size, full-featured snowplows designed exclusively for half-ton pickup trucks. They handle light commercial, institutional, and extended-use homeowner applications, providing rugged, pro-like performance without the extra weight. Available in 7-1/2' and 8' sizes

## HD

HD plows feature a 73° attack angle, for clean scraping action, and an aggressive blade roll to promote snow-rolling and keep snow from coming over the blade.

# GETTING TO KNOW YOUR SNOWPLOW

---

## **POWER PLOW™**

The 8100 and 8611 POWER PLOW blades can be extended hydraulically, allowing you to carry up to 35% more snow for increased plowing efficiency. Positions include a compact 8' width, a 10' WIDE PASS™ width, and a BUCKET BLADE™ width of nearly 9' (8'-6" to 11' for the 8611 POWER PLOW snowplow). The blade can fully angle in the BUCKET BLADE position, increasing the snow-carrying capacity while effectively maneuvering around obstacles or turning corners.

Continuous welds and formed torque box construction add strength and rigidity. The dual power bar design and six vertical ribs provide exceptional strength, while the durable steel cutting edge on each wing reduces wear and helps protect the blade when tripping.

## **SPEEDWING™**

The SnowEx® SPEEDWING snowplow will automatically configure the wings in scoop position or windrow right or left, depending on how you position the plow (centered, right angle, or left angle), allowing you to carry up to 30% more snow for increased plowing efficiency. Positions include a scoop width of nearly 103" and windrow position width of 100". Continuous welds and formed torque box construction add strength and rigidity.

## **HDV™ V-Plow**

The flared-wing HDV snowplow is available in 8'6" or 9'6" widths with either gray powder coated or stainless steel moldboards. The trip edge protection feature allows the blade to trip in any position, and double-acting cylinders enable the blade wings to be controlled independently or together for easy transition among one-touch BUCKET BLADE, vee, or angled positions.

# GETTING TO KNOW YOUR SNOWPLOW

---

## **A-FRAME/T-FRAME, QUADRANT, AND HEADGEAR**

### **SPEEDWING™, POWER PLOW™, and Straight Blade Snowplows**

The quadrant is attached to the back of the blade with heavy-duty trip springs and clevis pins with cotters. The trip springs allow the blade to trip forward and ride over obstacles such as low curbs, manhole covers, etc., without damaging the blade or the vehicle or injuring the driver. For trip spring adjustment instructions, see "Maintenance and Adjustment" in the Maintenance section of this manual.

The quadrant is attached to the triangular A-frame with a pivot bolt. The pivot bolt allows the quadrant and blade to swing right or left.

The hydraulic unit is easy to access and the cover can be removed without tools. It is conveniently located in front of the lift ram.

The snowplow headlamps are also attached to the headgear.

### **HDV™ Snowplow**

The blade wings are attached to the T-frame with a hinge pin, which allows the wings to extend and retract.

The hydraulic unit is mounted on the front of the headgear. The hoses remain connected to the hydraulic unit and the rams.

The snowplow headlamps are also attached to the headgear.

# GETTING TO KNOW YOUR SNOWPLOW

## SNOWPLOW WEIGHTS

Snowplow Weights			
Size	Blade Assembly	Wt (lb)	Wt (kg)
6'-8"	6800LT	303	137
7'-2"	7200LT	310	141
7-1/2'	7600RD	406	184
8'	8000RD	415	188
7-1/2'	7600HD	730	331
8'	8000HD	746.5	339
8-1/2'	8600HD	763.5	346
9'	9000HD	781.5	354
8-1/2'	8600SW SPEEDWING™	891.5	404
8'-10'	8100PP POWER PLOW™	970	440
8-1/2'-11'	8611PP POWER PLOW	1036	470
8-1/2'	8.6 HDV™	950	431
9-1/2'	9.6 HDV	1030	467

## MOUNT KITS

Custom mounts have been designed for most vehicles. Due to differences among vehicle models, mounts are generally not interchangeable. The mount is fastened to the underside of the vehicle frame and provides the primary connecting point between the snowplow and the vehicle.

Two removable receiver brackets are attached to the mount using pins and hairpin cotters. The receiver brackets are easily removed to provide more road clearance during the non-plowing months of the year.

# GETTING TO KNOW YOUR SNOWPLOW

---

## STORM SEEKER™ SNOWPLOW HEADLAMPS

**⚠ WARNING**

**Your vehicle must be equipped with snowplow headlamps and directional lights.**

The snowplow headlamps include STORM SEEKER dual-beam halogen headlamps with combination park and turn signals. A pre-wired harness with a plug-in module requires no headlamp wire splicing. The headlamps conform to Federal Motor Vehicle Safety Standards (FMVSS).

When the electrical plugs are connected, the vehicle headlamps will automatically switch to the snowplow headlamps when they are turned ON. When the electrical plugs are disconnected, the headlamps will automatically switch to vehicle headlamps when they are turned ON.

Replacement parts are available through your local SnowEx® outlet.

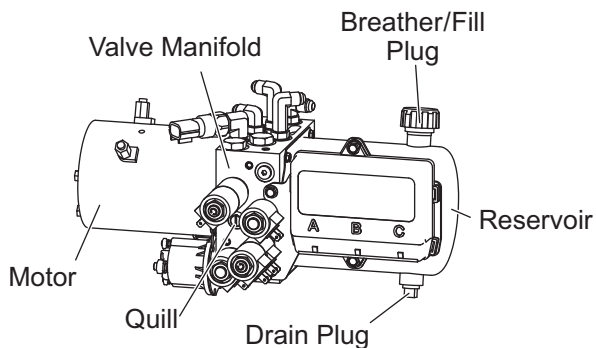
# GETTING TO KNOW YOUR SNOWPLOW

## HYDRAULIC SYSTEM

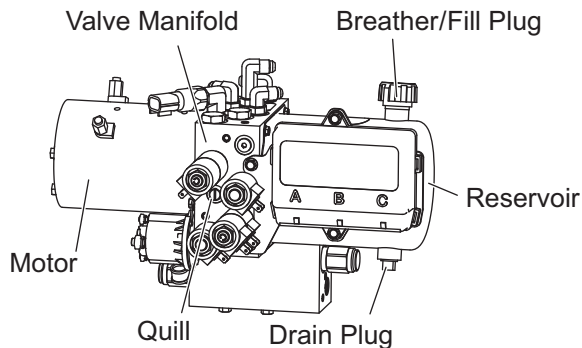
The hydraulic unit delivers fast, uniform speed for lifting and angling.

Straight blades and the SPEEDWING™ blade are raised in approximately 2 seconds and angled side to side in approximately 4 seconds.

### Straight Blades



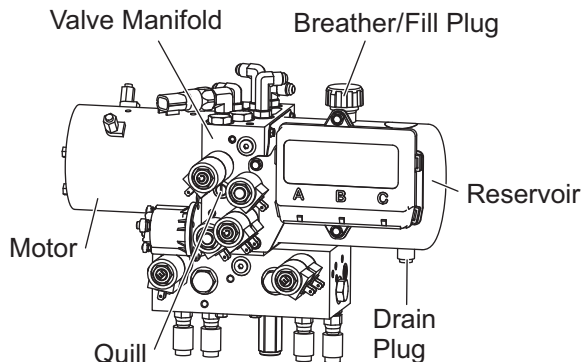
### SPEEDWING Blade



# GETTING TO KNOW YOUR SNOWPLOW

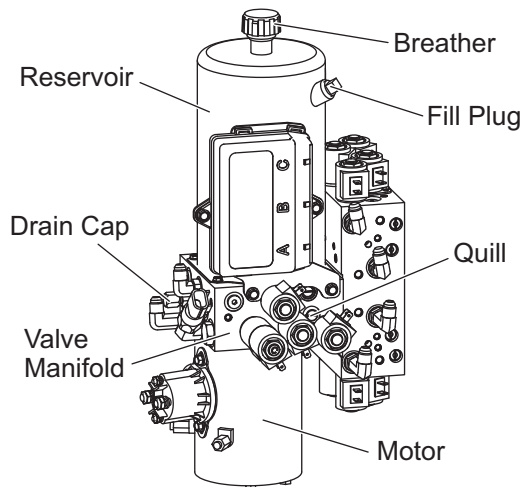
The POWER PLOW™ blade is both raised and angled side to side in approximately 2 seconds. Wings extend and retract individually in approximately 2 seconds. Both wings together extend in approximately 4 seconds and retract in approximately 3 seconds.

## POWER PLOW™ Blades



The HDV™ blade is raised in approximately 3 seconds and angled side to side in approximately 2 seconds.

## HDV Blades



# GETTING TO KNOW YOUR SNOWPLOW

## System Capacity

### SPEEDWING™, POWER PLOW™, and Straight Blades

- Hydraulic Unit Reservoir ..... 1-3/4 quarts
- Hydraulic System Total .... 2-3/8 to 2-3/4 quarts

### HDV™ Blades

- Hydraulic Unit Reservoir ..... 2-1/2 quarts
- Hydraulic System Total ..... 4-1/2 quarts

For hydraulic fluid type and filling instructions, see "Annual Fluid Change" under "Hydraulic System" in the Maintenance section of this manual.

## Pump Motor Specifications

### LT Blades

12V DC with +/- Connection
1750–1850 psi Pump Relief Valve
4000 psi Angling Relief Valve
3" dia 0.8 kW Motor
0.000208 gal/rev Pump
Hydraulic Hose 1/4 SAE 100R1 and 3/8 SAE 100R17

### RD Blades

12V DC with +/- Connection
1750–1850 psi Pump Relief Valve
4000 psi Angling Relief Valve
3" dia 0.8 kW Motor
0.000477 gal/rev Pump
Hydraulic Hose 1/4 SAE 100R1



# GETTING TO KNOW YOUR SNOWPLOW

---

---

## **SPEEDWING™ and HD Blades**

12V DC with +/- Connection
1950–2050 psi Pump Relief Valve
4000 psi Angling Relief Valve
4.5" dia 1.5 kW Motor
0.000477 gal/rev Pump
Hydraulic Hose 1/4 SAE 100R1 and 3/8 SAE 100R17

## **POWER PLOW™ Blades**

12V DC with +/- Connection
1950–2050 psi Pump Relief Valve
4000 psi Plowing Relief Valve
1700 psi Wing Plowing Relief Valves
4.5" dia 1.5 kW Motor
0.000652 gal/rev Pump
Hydraulic Hose 1/4 SAE 100R1 and 3/8 SAE 100R17

## **HDV™ Blades**

12V DC with +/- Connection
2175–2325 psi Pump Relief Valve
4550–4650 psi Plowing Relief Valves
3650–3750 psi Back Dragging Relief Valves
4.5" dia 1.5 kW Motor
0.000652 gal/rev Pump
Hydraulic Hose 1/4 SAE 100R1 and 3/8 SAE 100R17

# GETTING TO KNOW YOUR SNOWPLOW

---

## CAB CONTROLS

### **WARNING**

**To prevent accidental movement of the blade, always turn the control OFF whenever the snowplow is not in use. The power indicator light will turn OFF.**

SnowEx® snowplows come equipped with one of two special controls: the POWER GRIP™ hand-held control or a joystick-style control.

The POWER PLOW™ snowplow controls allow you to go from a WIDE PASS™ position, to a BUCKET BLADE™ (scoop) position, to a straight blade, all at the touch of a button or with a single lever movement.

The HDV™ snowplow controls allow you to go from a V-plow to a BUCKET BLADE (scoop) position, to a straight blade, all at the touch of a button or with a single lever movement.

Each control has its own ON/OFF switch with an indicator light to show when the control is powered up. Your vehicle ignition (key) switch controls a fused circuit that powers your cab control directly from the battery.

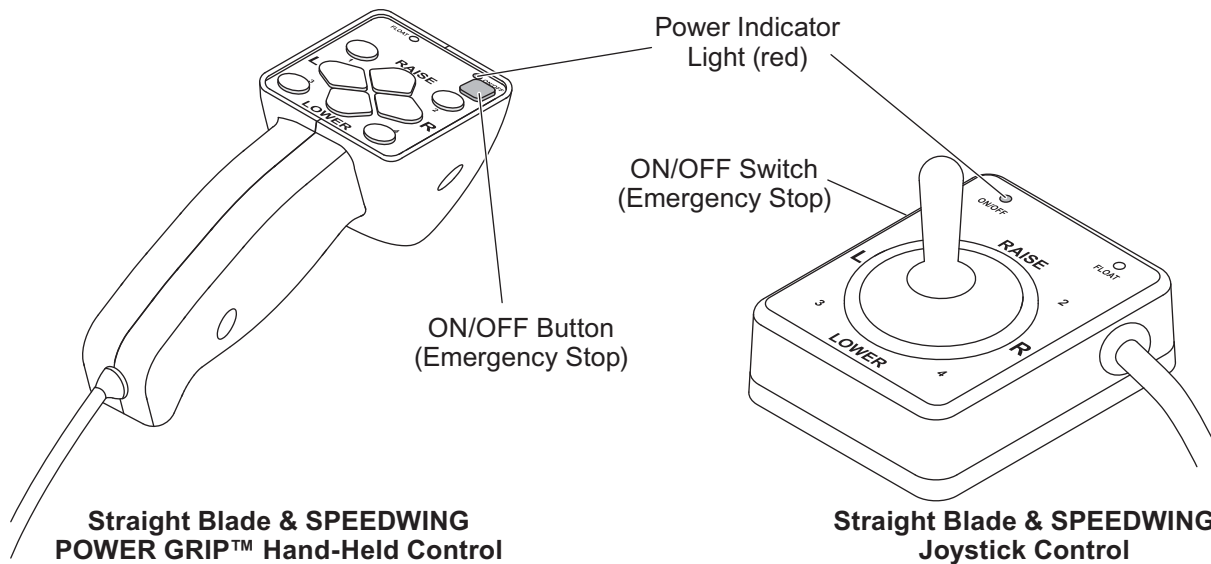
The ON/OFF switch on the cab control allows you to turn OFF the control and prevent blade movement even when the vehicle ignition switch is ON.

**The control ON/OFF switch serves as an emergency stop if required.**

All controls are protected by a replaceable fuse located in the under hood snowplow electrical system. See "Fuse Replacement" in the Maintenance section of this Owner's Manual.

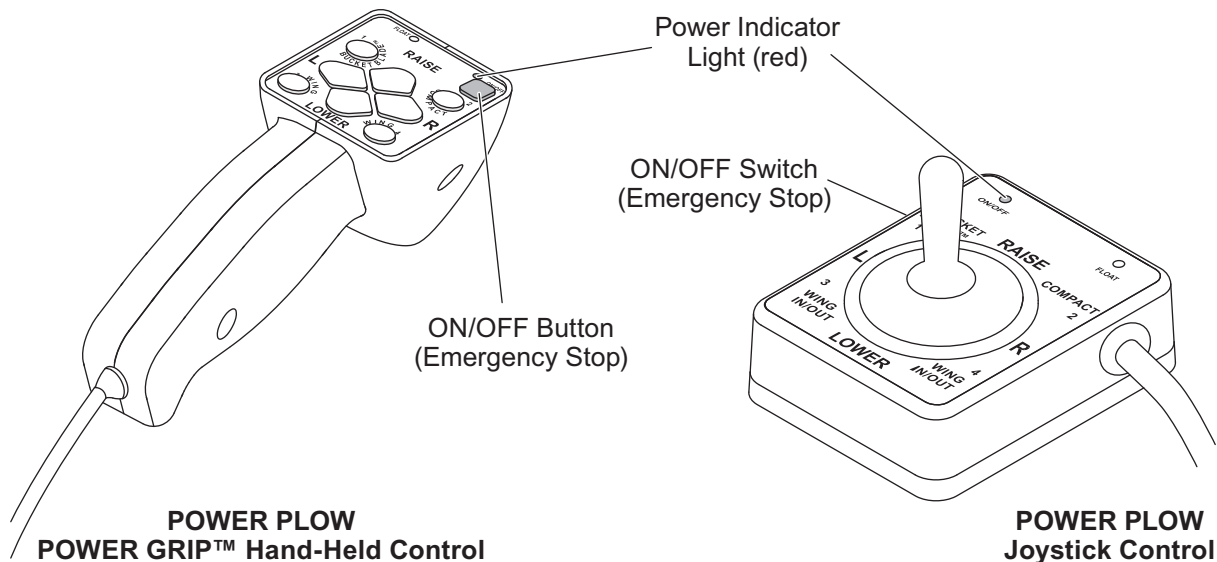
# GETTING TO KNOW YOUR SNOWPLOW

## Straight Blade and SPEEDWING™ Snowplow Controls with FLEET FLEX System



# GETTING TO KNOW YOUR SNOWPLOW

## POWER PLOW™ and HDV™ Snowplow Controls with FLEET FLEX System



# ACCESSORIES

---

## SNOWPLOW ACCESSORIES

### Extension Wings

Maximize your blade width and carrying capacity with wing extensions, reducing the number of passes to cut down job time. Available on HD straight blade and HDV™ snowplows.

### Rubber Deflector – Branded SnowEx®

Enhance snow containment, and prevent snow from blowing onto the windshield, with a SnowEx rubber deflector.

### Thicker Steel Cutting Edges

Built for the long haul, SnowEx plows offer thicker steel cutting edges for enhanced wear resistance over time.

### Poly Cutting Edges

Durable polyurethane cutting edge design withstands abuse while scraping up snow and ice from the surface.

### Rubber Cutting Edges

Made to endure through heavy plow use, these durable edges provide added material for increased wear life.

### Back Drag Edges

Deliver cleaner, consistent scraping and back dragging in tight areas.

### Blade Shoe Kits

Help increase cutting edge life when plowing over abrasive surfaces such as gravel.

# ACCESSORIES

---

## OTHER ACCESSORIES

### **SnowEx® RAPID ACTION Hydraulic Fluid**

Improve the performance of your hydraulic systems, especially in extremely cold weather, with SnowEx RAPID ACTION hydraulic fluid. Special antiwear and antifoaming additives keep your system running longer and smoother.

## **Emergency Parts Tool Kit**

This tool bag contains necessary service parts to make on-the-spot repairs to your snowplow. There's also a quart of SnowEx RAPID ACTION hydraulic fluid.



# ATTACHING SNOWPLOW TO VEHICLE

## ATTACHING SNOWPLOW

### **⚠ WARNING**

Keep 8' clear of the blade when it is being raised, lowered or angled. Do not stand between vehicle and blade or directly in front of the blade. If the blade hits or drops on you, you could be seriously injured.

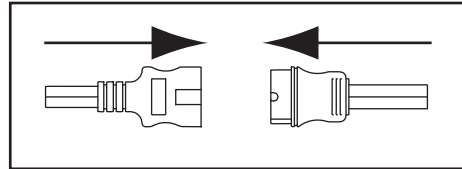
### **⚠ WARNING**

Inspect snowplow components and bolts for wear or damage whenever attaching or detaching the snowplow. Worn or damaged components could allow the snowplow to drop unexpectedly.

**NOTE:** Use dielectric grease to prevent corrosion on all connections.

## Attaching Steps:

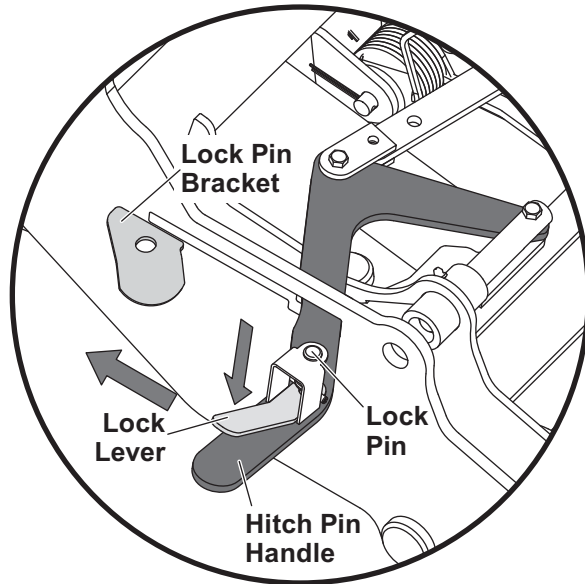
1. Slowly drive vehicle forward to engage receiver pins into headgear slots.
2. Move power switch to center or "OFF" position.
3. Plug in electrical harnesses.



# ATTACHING SNOWPLOW TO VEHICLE

4. Push and hold power switch and attach/detach operation switch RIGHT to rotate headgear up until hitch pins are aligned with the hitch pin holes on receivers. Release both switches.

5. Hold down lock lever and move hitch pin handle forward to fully engage hitch pins in receivers. Release lock lever to engage lock pin into hole in lock pin bracket.

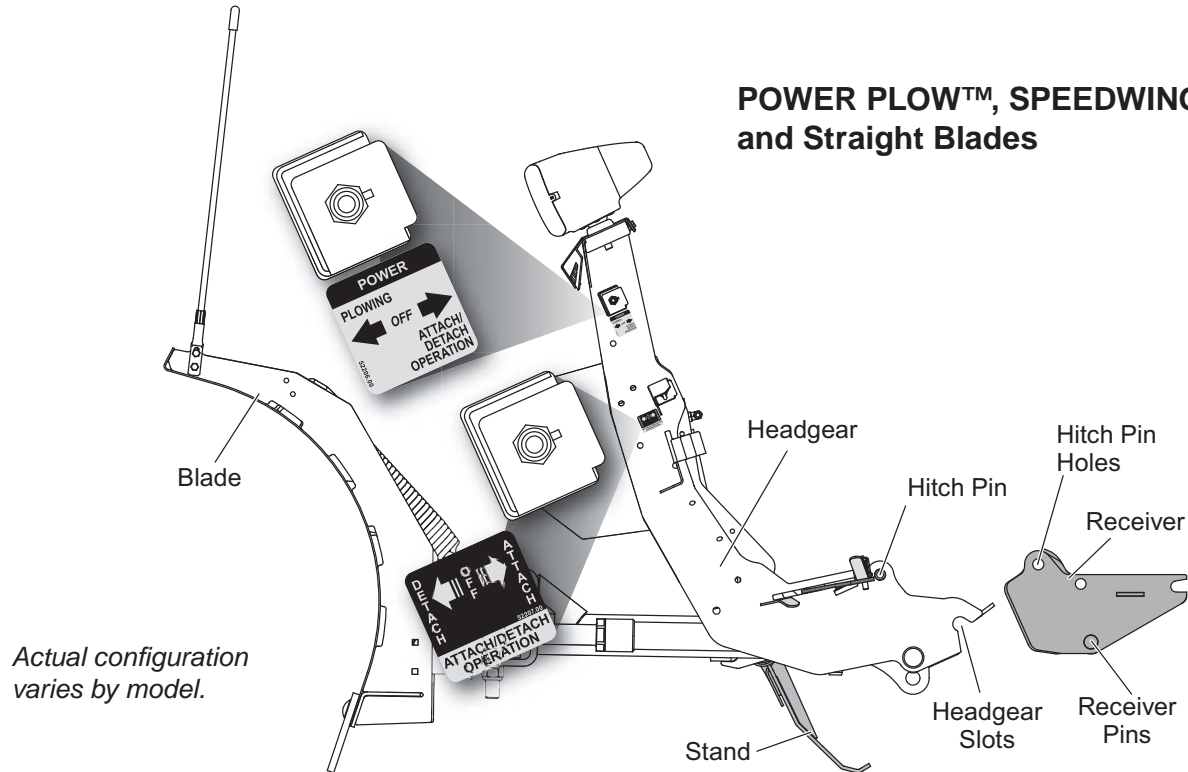


6. Move power switch to LEFT or "PLOWING" position.



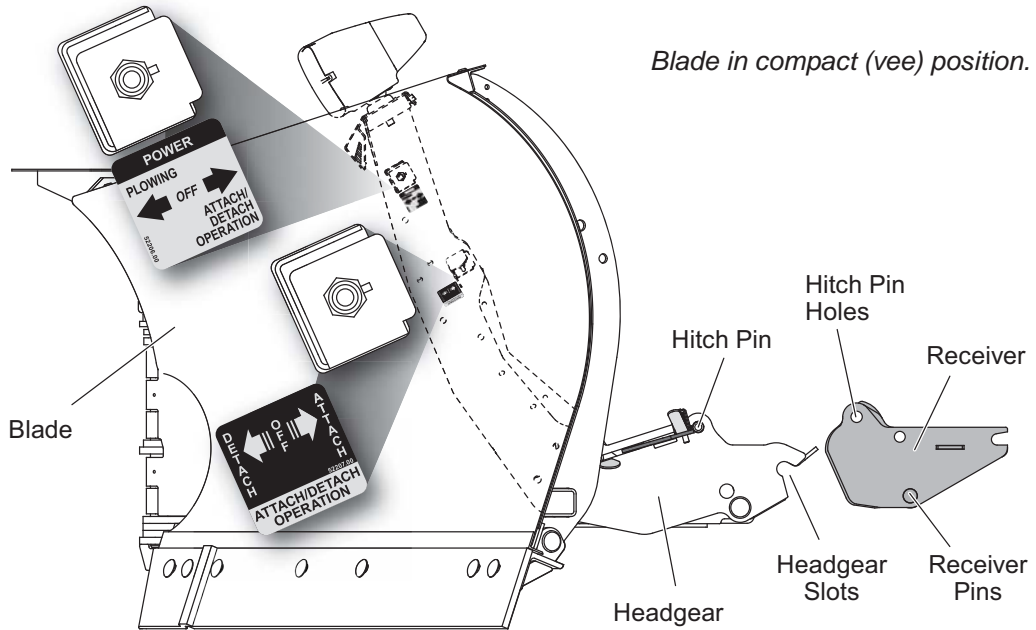
# ATTACHING SNOWPLOW TO VEHICLE

## POWER PLOW™, SPEEDWING™, and Straight Blades



# ATTACHING SNOWPLOW TO VEHICLE

## HDV™ Blade



# OPERATING YOUR SNOWPLOW

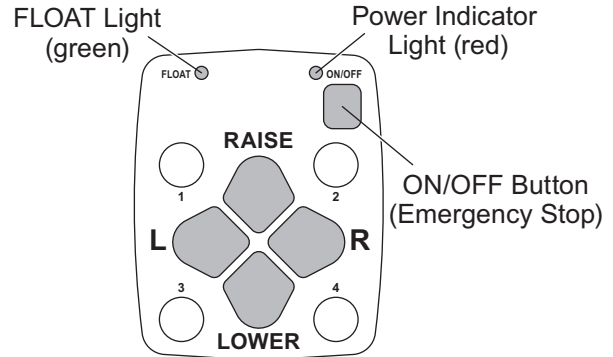
## POWER GRIP™ STRAIGHT BLADE & SPEEDWING™ HAND-HELD CONTROL

### **⚠ WARNING**

To prevent accidental movement of the blade, always push the ON/OFF button to switch the control OFF whenever the snowplow is not in use. The power indicator light will turn OFF.

1. Turn the vehicle ignition switch to the "ON" or "ACCESSORY" position.
2. Press the ON/OFF button on the control. The power indicator light glows red, indicating the control is ON. The power indicator light glows red whenever the control and the vehicle ignition switch are both ON, the electrical connections to the snowplow are completed and the plow power switch is in the "PLOWING" position.

The ON/OFF button operates as an emergency stop if required.



### Function Time-Outs

All control functions, except LOWER/FLOAT, time out (stop) automatically after a period of time. This is to limit the amount of electrical energy required from the vehicle.

**NOTE: If a control function times out before desired blade movement is complete, release the button and press it again.**

# OPERATING YOUR SNOWPLOW

## Automatic Shutdown

The control will automatically turn OFF after being idle for 20 minutes. To reactivate the control after a shutdown, press the ON/OFF button.

## Smooth Stop/Soft Stop

The control automatically allows the blade to coast to a stop when the button is released. This results in smoother operation, reduces the shock to the hydraulic system and increases hose and valve life. See "FLEET FLEX Electrical System" in this section for more information.

## Control Functions

### Raise, Lower, Float, Angle

The four diamond-shaped buttons in the center of the control face, when pressed, will result in the blade movements described in the table.

Function	Description of Operation
<b>RAISE</b>	Press this button to raise the blade and cancel FLOAT mode. Function times out after 3.0 seconds.
<b>LOWER</b>	Press this button to lower the blade. Release the button to stop the blade at desired height.
<b>FLOAT<sup>†</sup></b>	Press the <b>LOWER</b> button and hold 3/4 second to activate this mode. The FLOAT light in the upper right corner of the control face will illuminate. The blade will lower to the ground surface and follow the contour of the surface as it dips or raises. Function does not time out; however, control will shut down after 20 minutes of nonuse.  Press the <b>RAISE</b> button momentarily to cancel FLOAT. Angling left or right will not interrupt (pause) the FLOAT function.

<sup>†</sup> FLOAT mode activates immediately when one-touch FLOAT feature is enabled. See "One-Touch FLOAT" in this section for more information.

# OPERATING YOUR SNOWPLOW

---

Function	Description of Operation
<b>L</b> (Angle Left)	Press this button to angle the blade left. Function times out after 3.5 seconds.
<b>R</b> (Angle Right)	Press this button to angle the blade right. Function times out after 3.5 seconds.

---

**NOTE: If a control function times out before desired blade movement is complete, release the button and press it again.**

---

## SECURITY GUARD™ System (1, 2, 3, 4)

The four round buttons located to the left and right of the LOWER and RAISE buttons will also operate the SECURITY GUARD system (if equipped). See "SECURITY GUARD System" in this section for more information.

# OPERATING YOUR SNOWPLOW

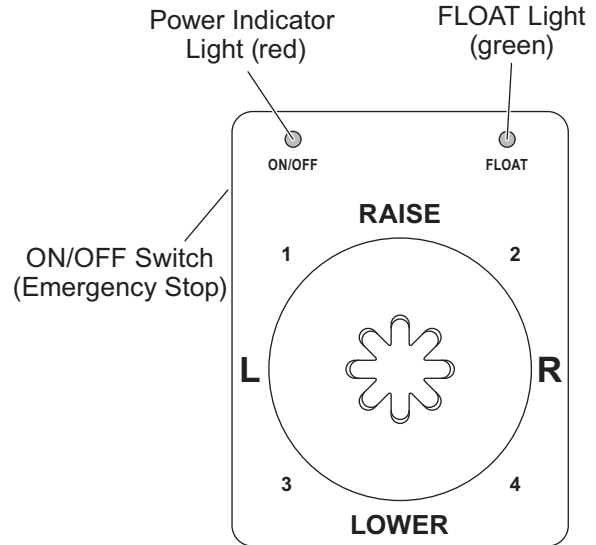
## STRAIGHT BLADE & SPEEDWING™ JOYSTICK CONTROL

### **⚠ WARNING**

To prevent accidental movement of the blade, always move the ON/OFF switch to OFF whenever the snowplow is not in use. The power indicator light will turn OFF.

1. Turn the vehicle ignition switch to the "ON" or "ACCESSORY" position.
2. Move the ON/OFF switch on the side of the control to the "ON" position. The power indicator light glows red, indicating the control is ON. The indicator light glows red whenever the control and the vehicle ignition switch are both ON, the electrical connections to the snowplow are completed and the plow power switch is in the "PLOWING" position.

The ON/OFF switch operates as an emergency stop if required.



# OPERATING YOUR SNOWPLOW

---

## Function Time-Outs

All control functions, except LOWER/FLOAT, time out (stop) automatically after a period of time. This is to limit the amount of electrical energy required from the vehicle.

---

**NOTE: If a control function times out before desired blade movement is complete, release the lever to the center position, then move it back into the desired function.**

---

## Automatic Shutdown

The control will automatically turn OFF after being idle for 20 minutes. To reactivate the control after a shutdown, move the ON/OFF switch to OFF, then back to ON.

## Smooth Stop/Soft Stop

The control automatically allows the blade to coast to a stop when the lever returns to center position. This results in smoother operation, reduces the shock to the hydraulic system and increases hose and valve life. See "FLEET FLEX Electrical System" in this section for more information.

## Control Lever Movement

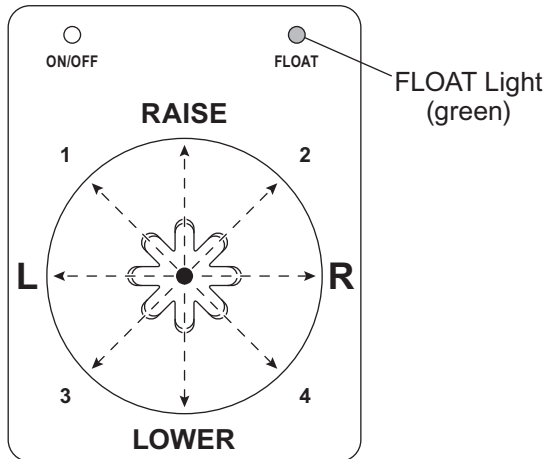
From the center position, the control lever can be moved in one of eight directions to control various movements of the snowplow blade. To change from one movement of the blade to another, the control lever must be moved back to the center position before selecting the desired function. Whenever the lever is released, it should spring back into the center position to stop any blade movement.

# OPERATING YOUR SNOWPLOW

## Control Functions

### Raise, Lower, Float, Angle

Moving the control lever straight up and down or from side to side on the control body will result in the blade movements described in the following tables.



Function	Description of Operation
RAISE	Move the control lever toward the top of the control body to raise the blade and cancel the FLOAT mode. Function times out after 3.0 seconds.
LOWER	Move the control lever toward the bottom of the control body to lower the blade. Release the lever to stop the blade at the desired height.
FLOAT <sup>†</sup>	Move the control lever to the <b>LOWER</b> position and hold 3/4 second to activate this mode. The FLOAT light in the upper right corner of the control face will illuminate. The blade will lower to the ground surface and follow the contour of the surface as it dips or raises. Function does not time out; however, control will shut down after 20 minutes of nonuse. Move lever to the <b>RAISE</b> position momentarily to cancel FLOAT. Angling left or right will not interrupt (pause) the FLOAT function.

<sup>†</sup> FLOAT mode activates immediately when one-touch FLOAT feature is enabled. See "One-Touch FLOAT" in this section for more information.



# OPERATING YOUR SNOWPLOW

---

---

Function	Description of Operation
L (Angle Left)	Move the control lever straight to the left to angle the blade left. Function times out after 3.5 seconds.
R (Angle Right)	Move the control lever straight to the right to angle the blade right. Function times out after 3.5 seconds.

---

**NOTE: If a control function times out before desired blade movement is complete, release the lever to the center position, then move it back into the desired function.**

---

## SECURITY GUARD™ System (1, 2, 3, 4)

Moving the control lever from the center position toward any of the four digits on the face of the control body will also operate the SECURITY GUARD system (if equipped). See "SECURITY GUARD System" in this section for more information.

# OPERATING YOUR SNOWPLOW

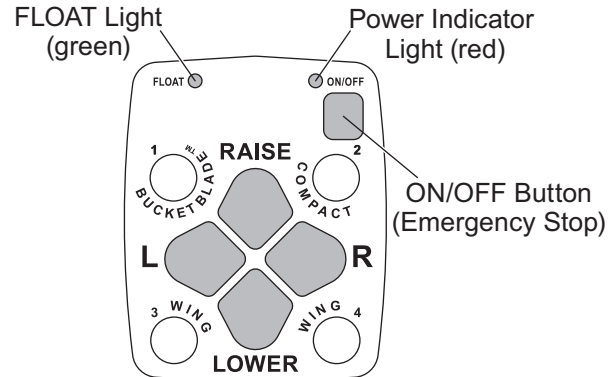
## POWER GRIP™ POWER PLOW™ & HDV™ HAND-HELD CONTROL

### WARNING

To prevent accidental movement of the blade, always push the ON/OFF button to switch the control OFF whenever the snowplow is not in use. The power indicator light will turn OFF.

1. Turn the vehicle ignition switch to the "ON" or "ACCESSORY" position.
2. Press the ON/OFF button on the control. The power indicator light glows red, indicating the control is ON. The power indicator light glows red whenever the control and the vehicle ignition switch are both ON, the electrical connections to the snowplow are completed and the plow power switch is in the "PLOWING" position.

The ON/OFF button operates as an emergency stop if required.



## Function Time-Outs

All control functions, except LOWER/FLOAT, time out (stop) automatically after a period of time. This is to limit the amount of electrical energy required from the vehicle.

**NOTE: If a control function times out before desired blade movement is complete, release the button and press it again.**

# OPERATING YOUR SNOWPLOW

## Automatic Shutdown

The control will automatically turn OFF after being idle for 20 minutes. To reactivate the control after a shutdown, press the ON/OFF button.

## Smooth Stop/Soft Stop

The control automatically allows the blade to coast to a stop when the button is released. This results in smoother operation, reduces the shock to the hydraulic system and increases hose and valve life. See "FLEET FLEX Electrical System" in this section for more information.

## Control Functions

### Raise, Lower, Float, Angle

The four diamond-shaped buttons in the center of the control face, when pressed, will result in the blade movements described in the table.

Function	Description of Operation
RAISE	Press this button to raise the blade and cancel the FLOAT mode. Function times out after 3.5 (POWER FLOW™) or 4.0 (HDV™) seconds.
LOWER	Press this button to lower the blade. Release the button to stop the blade at desired height.
FLOAT†	Press the <b>LOWER</b> button and hold 3/4 second to activate this mode. The FLOAT light in the upper right corner of the control face will illuminate. The blade will lower to the ground surface and follow the contour of the surface as it dips or raises. Function does not time out; however, control will shut down after 20 minutes of nonuse.  Press the <b>RAISE</b> button momentarily to cancel FLOAT. Angling left or right will not interrupt (pause) the FLOAT function.

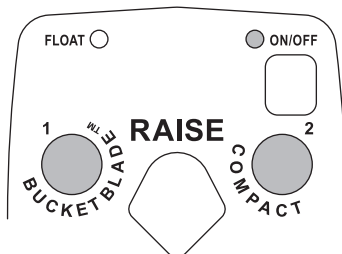
† FLOAT mode activates immediately when one-touch FLOAT feature is enabled. See "One-Touch FLOAT" in this section for more information.

# OPERATING YOUR SNOWPLOW

Function	Description of Operation
<b>L</b> (Angle Left)	With wings in a straight line, press the <b>L</b> button to move the blade to the angle left position. <i>HDV™ blade</i> : The left wing retracts while the right wing extends. Function times out after 4.5 (POWER PLOW™) or 3.0 (HDV) seconds.
<b>R</b> (Angle Right)	With wings in a straight line, press the <b>R</b> button to move the blade to the angle right position. <i>HDV blade</i> : The right wing retracts while the left wing extends. Function times out after 4.5 (POWER PLOW) or 3.0 (HDV) seconds.

**NOTE: If a control function times out before desired blade movement is complete, release the button and press it again.**

## BUCKET BLADE™/Compact Blade Positions

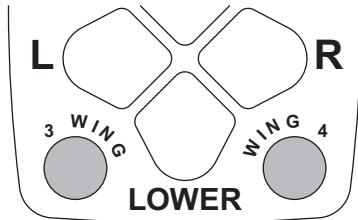


The two round buttons located to the left and right of the RAISE button move both wings at the same time into the blade positions described in the following table.

Function	Description of Operation
<b>BUCKET BLADE</b>	Press this button to extend both wings forward into the BUCKET BLADE position. Function times out after 7.25 (POWER PLOW) or 5.0 (HDV) seconds.
<b>COMPACT</b>	Press this button to draw both wings into the fully retracted position. Function times out after 5.5 (POWER PLOW) or 3.0 (HDV) seconds.

# OPERATING YOUR SNOWPLOW

## Wing Positions



The two round buttons located to the left and right of the LOWER button move either wing independently of the other as described in the following table.

### SECURITY GUARD™ System (1, 2, 3, 4)

The four round buttons located to the left and right of the LOWER and RAISE buttons will also operate the SECURITY GUARD system. See "SECURITY GUARD System" in this section for more information.

Function	Description of Operation
L WING	Press this button on the left side of the control to move the left wing. The first time the button is pressed after the control is turned ON or another function is used, the wing will extend. Repeated use of the same button, without using another function, results in movement in the opposite direction from the previous movement. Function times out after 4.5 (POWER PLOW™) or 3.0 (HDV™) seconds.
R WING	Press this button on the right side of the control to move the right wing. The first time the button is pressed after the control is turned ON or another function is used, the wing will extend. Repeated use of the same button, without using another function, results in movement in the opposite direction from the previous movement. Function times out after 4.5 (POWER PLOW) or 3.0 (HDV) seconds.

# OPERATING YOUR SNOWPLOW

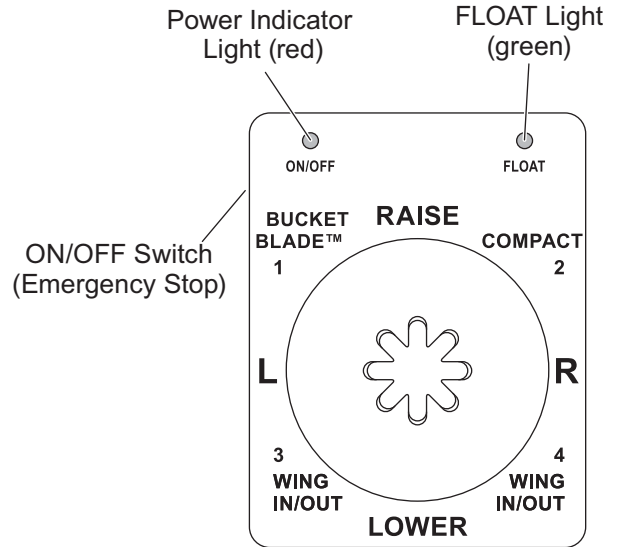
## POWER FLOW™ & HDV™ JOYSTICK CONTROL

### **⚠ WARNING**

To prevent accidental movement of the blade, always move the ON/OFF switch to OFF whenever the snowplow is not in use. The power indicator light will turn OFF.

1. Turn the vehicle ignition switch to the "ON" or "ACCESSORY" position.
2. Move the ON/OFF switch on the side of the control to the "ON" position. The power indicator light glows red, indicating the control is ON. The indicator light glows red whenever the control and the vehicle ignition switch are both ON, the electrical connections to the snowplow are completed and the plow power switch is in the "PLOWING" position.

The ON/OFF switch operates as an emergency stop if required.



# OPERATING YOUR SNOWPLOW

---

## Function Time-Outs

All control functions, except LOWER/FLOAT, time out (stop) automatically after a period of time. This is to limit the amount of electrical energy required from the vehicle.

---

**NOTE: If a control function times out before desired blade movement is complete, release the lever to the center position, then move it back into the desired function.**

---

## Automatic Shutdown

The control will automatically turn OFF after being idle for 20 minutes. To reactivate the control after a shutdown, move the ON/OFF switch to OFF, then back to ON.

## Smooth Stop/Soft Stop

The control automatically allows the blade to coast to a stop when the lever returns to center position. This results in smoother operation, reduces the shock to the hydraulic system and increases hose and valve life. See "FLEET FLEX Electrical System" in this section for more information.

## Control Lever Movement

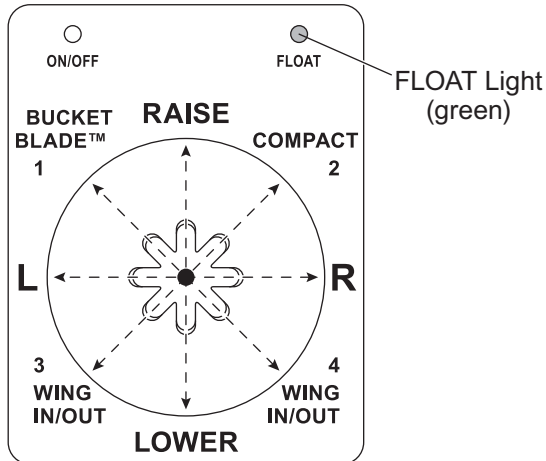
From the center position, the control lever can be moved in one of eight directions to control various movements of the snowplow blade. To change from one movement of the blade to another, the control lever must be moved back to the center position before selecting the desired function. Whenever the lever is released, it should spring back into the center position to stop any blade movement.

# OPERATING YOUR SNOWPLOW

## Control Functions

### Raise, Lower, Float, Angle

Moving the control lever straight up and down or from side to side on the control body will result in the blade movements described in the following tables.



Function	Description of Operation
<b>RAISE</b>	Move the control lever toward the top of the control body to raise the blade and cancel the <b>FLOAT</b> mode. Function times out after 3.5 ( <b>POWER FLOW™</b> ) or 4.0 ( <b>HDV™</b> ) seconds.
<b>LOWER</b>	Move the control lever toward the bottom of the control body to lower the blade. Release the lever to stop the blade at the desired height.
<b>FLOAT†</b>	Move the control lever to the <b>LOWER</b> position and hold 3/4 second to activate this mode. The <b>FLOAT</b> light in the upper right corner of the control face will illuminate. The blade will lower to the ground surface and follow the contour of the surface as it dips or raises. Function does not time out; however, control will shut down after 20 minutes of nonuse. Move lever to the <b>RAISE</b> position momentarily to cancel <b>FLOAT</b> . Angling left or right will not interrupt (pause) the <b>FLOAT</b> function.

† **FLOAT** mode activates immediately when one-touch **FLOAT** feature is enabled. See "One-Touch **FLOAT**" in this section for more information.



# OPERATING YOUR SNOWPLOW

Function	Description of Operation
<b>L</b> (Angle Left)	With wings in a straight line, move the control lever straight to the left to move the blade to the angle left position. <i>HDV™ blade:</i> The left wing retracts while the right wing extends. Function times out after 4.5 (POWER PLOW™) or 3.0 (HDV) seconds.
<b>R</b> (Angle Right)	With wings in a straight line, move the control lever straight to the right to move the blade to the angle right position. <i>HDV blade:</i> The right wing retracts while the left wing extends. Function times out after 4.5 (POWER PLOW) or 3.0 (HDV) seconds.

## BUCKET BLADE™/Compact Blade Positions

Moving the control lever from the center position toward the words BUCKET BLADE or COMPACT on the face of the control body will cause both wings to move at the same time into the following blade positions.

Function	Description of Operation
<b>BUCKET BLADE</b>	Move the control lever toward the words BUCKET BLADE on the control face to extend both wings forward into the BUCKET BLADE position. Function times out after 7.25 (POWER PLOW) or 5.0 (HDV) seconds.
<b>COMPACT</b>	Move the control lever toward the word COMPACT on the control face to fully retract both wings. Function times out after 5.5 (POWER PLOW) or 3.0 (HDV) seconds.

**NOTE:** If a control function times out before the desired blade movement is complete, release the lever to the center position, then move it back into the desired function.

# OPERATING YOUR SNOWPLOW

## Wing Positions

Moving the control lever from the center position toward the words WING IN/OUT, on either side of the face of the control body will cause either wing to move independently of the other as described in the following table.

**NOTE: If a control function times out before desired blade movement is complete, release the lever to the center position, then move it back into the desired function.**

## SECURITY GUARD™ System (1, 2, 3, 4)

Moving the control lever from the center position toward any of the four numbers on the face of the control will also operate the SECURITY GUARD system. See "SECURITY GUARD System" in this section for more information.

Function	Description of Operation
L WING IN/OUT	Move the control lever toward the <i>left</i> side of <b>LOWER</b> on the control face to move the left wing. The first time the lever is moved into the slot after the control is turned ON or another function is used, the wing will extend. Repeated use of the lever in the same slot, without using another function, results in movement in the opposite direction from the previous movement. Function times out after 4.5 (POWER PLOW™) or 3.0 (HDV™) seconds.
R WING IN/OUT	Move the control lever toward the <i>right</i> side of <b>LOWER</b> on the control face to move the right wing. The first time the lever is moved into the slot after the control is turned ON or another function is used, the wing will extend. Repeated use of the lever in the same slot, without using another function, results in movement in the opposite direction from the previous movement. Function times out after 4.5 (POWER PLOW) or 3.0 (HDV) seconds.

## FLEET FLEX ELECTRICAL SYSTEM

Your Automatixx® system snowplow comes standard with user-controlled programmable features. These include:

- SECURITY GUARD™ electrical anti-theft system
- Smooth Stop/Soft Stop
- One-Touch FLOAT

This section provides more information about each feature, as well as instructions on how to enable or disable them. These features are offered to give you the ability to secure your snowplow and customize your plowing experience.

## **SECURITY GUARD™ System**

### **Activation & Establishing a 4-Digit Security Code**

---

**NOTE: The snowplow must be attached to the vehicle, and all the electrical connections must be connected prior to activating the security code function.**

---

The SECURITY GUARD feature was developed as an electrical anti-theft system. The system provides a deterrent from theft and/or non-permitted use by allowing you to electronically lock the snowplow's hydraulic functions.

All multiplex snowplow controls come equipped with the SECURITY GUARD system. To use this function, you must complete the activation process.

1. Turn the vehicle ignition switch to the "ON" or "ACCESSORY" position. (It is not necessary to start the vehicle.)
2. Verify that the control power indicator is OFF. If the power indicator light is red, the control is ON. Move the ON/OFF switch to "OFF" or push the ON/OFF button to turn the control OFF.
3. To activate the SECURITY GUARD mode, move the control lever to the #1 position or press the #1 button four consecutive times, and then to the #4 position or the #4 button four consecutive times (sequence: 1, 1, 1, 1, 4, 4, 4, 4). The green FLOAT light will flash quickly and the red power indicator light will turn ON, indicating the system is ready to accept your 4-digit security code.

Enter your 4-digit security code by moving the control lever to (or pressing the button for) any of the eight following positions: UP, DOWN, LEFT, RIGHT, 1, 2, 3, or 4.

Once you have entered your 4-digit security code, the FLOAT light will stop flashing and The power indicator light will turn OFF. This indicates that your 4-digit security code is entered and stored in the SECURITY GUARD™ system.

4. Once a 4-digit security code is established and the plow/vehicle electrical connection are lost/disconnected, the SECURITY GUARD System will recognize any control that has been programmed with the same 4-digit security code. Any control not programmed with the correct 4-digit security code will require the user to enter the established security code before activating the snowplow (see the Manual Unlock procedure).

---

**NOTE: If the control is turned ON prior to completing the programming procedure, your 4-digit security code will be cancelled.**

---

## Manual Unlock

If the SECURITY GUARD System is activated and you are using a control with a different 4-digit code than the established security code, you will be required to manually enter the 4-digit security code before operating a locked snowplow.

1. Turn the vehicle ignition to the "ON" or "ACCESSORY" position.
2. Move the ON/OFF switch to the "ON" position or push the ON/OFF button to switch the control ON.
3. The power indicator light will flash rapidly, indicating that the snowplow is locked.
4. Enter the 4-digit security code.

5. After entering the correct security code, the power indicator light will change from flashing rapidly to a solid light to indicate the snowplow has been successfully unlocked.

---

**NOTE: If the plow/vehicle electrical connection is lost or disconnected, the SECURITY GUARD™ system will reset, requiring any control that is not programmed with the established 4-digit security code to manually re-enter the security code to activate the snowplow.**

---

### **Clearing an Established 4-Digit Security Code**

1. Turn the vehicle ignition switch to the "ON" or "ACCESSORY" position.
2. If the snowplow is locked (the control power indicator light will be flashing at a fast rate), unlock the snowplow by following the Manual Unlock procedure.

3. Move the ON/OFF switch to the "OFF" position or push the ON/OFF button to switch the control OFF. Verify that the power indicator light is OFF.

4. With the control OFF, move the control lever to the #2 position or press the #2 button four consecutive times, and then to the #3 position or the #3 button four consecutive times. This sequence (2, 2, 2, 2, 3, 3, 3, 3) will clear the 4-digit security code from the SECURITY GUARD system. The FLOAT light will flash to indicate that the 4-digit security code was cleared.

---

**NOTE: To enter a new 4-digit security code see Activation & Establishing a 4-Digit Security Code.**

---

## Light Flash Indicators

POWER – Red	Function
OFF	Control is OFF
Solid ON	Control is ON and active
Slow Flash	No communication
Fast Flash	Snowplow is locked—enter 4-digit security code to unlock

FLOAT – Green	Function
Solid ON	FLOAT function is active
Fast Flash	Security code activation in progress

## Additional Notes

- The SECURITY GUARD™ system requires any control (other than the one with the assigned 4-digit security code) to enter the security code before the snowplow can be activated. Once the security code is established, the SECURITY GUARD system recognizes that a control with the

same security code is attached, and does not require a manual unlock to activate the snowplow. The system will recognize the control as "safe" and will automatically unlock.

- In the event that a snowplow is locked and cannot be manually unlocked or reset, contact your Authorized Dealer.
- **REMINDER:** Record your security code for future reference.

## Smooth Stop/Soft Stop

Smooth stop, or "soft" stop, is a feature that allows the blade to coast to a stop when the button/lever is released. The result is smoother operation, reduction in shock to the hydraulic system and an increase in hose and valve life.

While there are advantages to having this feature, there are also advantages to temporarily disabling this feature. For example, to allow for more precise movements of the blade while operating in close distances to buildings and other obstacles.

All controls come standard with this feature ENABLED. To enable/disable this feature, perform the following steps. Performing the sequence multiple times will toggle the feature between enabled and disabled.

## Enable/Disable Procedure

1. Turn the vehicle ignition switch to the "ON" or "ACCESSORY" position. (It is not necessary to start the vehicle.)
2. Verify that the control power indicator is OFF. If the power indicator light is red, the control is ON. Move the ON/OFF switch to "OFF" or push the ON/OFF button to turn the control OFF.
3. Move and hold the control lever to the R position or press and hold the R button while turning the control ON. The power indicator light will turn ON and the FLOAT light will flash, indicating the status of the feature.

## Light Flash Indicators

Light	Description
POWER – Red	Solid ON = Control is ON
FLOAT – Green	1 Flash = Smooth Stop Enabled 2 Flashes = Smooth Stop Disabled



## One-Touch FLOAT

One-touch FLOAT immediately activates the FLOAT mode and releases the blade to the ground, without having to hold the button or lever in LOWER. This can improve transition time when backing up to plow forward again, eliminating the time spent holding the control and waiting for the blade to fully drop.

All controls come standard with this feature DISABLED. To enable/disable this feature, perform the following steps. Performing the sequence multiple times will toggle the feature between enabled and disabled.

### Enable/Disable Procedure

1. Turn the vehicle ignition switch to the "ON" or "ACCESSORY" position. (It is not necessary to start the vehicle.)
2. Verify that the control power indicator is OFF. If the power indicator light is red, the control is ON. Move the ON/OFF switch to "OFF" or push the ON/OFF button to turn the control OFF.
3. Move and hold the control lever to the LOWER position or press and hold the LOWER button while turning the control ON. The power indicator light will turn ON and the FLOAT light will flash, indicating the status of the feature.

### Light Flash Indicators

Light	Description
POWER – Red	Solid ON = Control is ON
FLOAT – Green	1 Flash = One-touch FLOAT Disabled 2 Flashes = One-touch FLOAT Enabled

# OPERATING YOUR SNOWPLOW

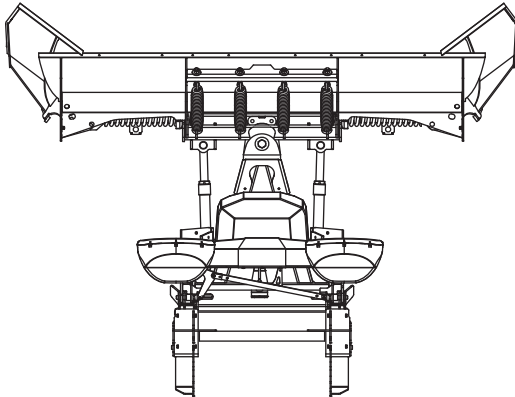
---

## SPEEDWING™ BLADE POSITIONS

The SPEEDWING snowplow can be used in three basic plowing positions.

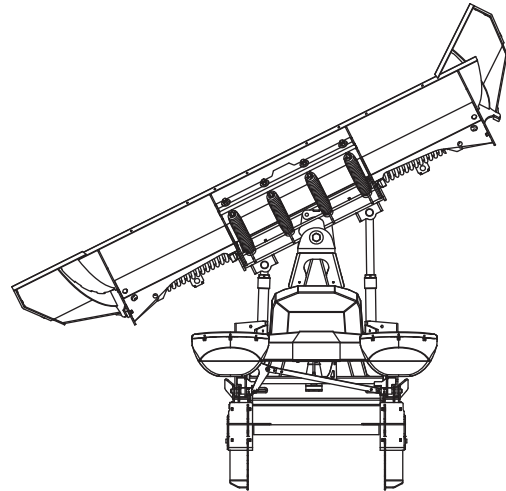
### Scoop Blade

When blade is moved to straight-across orientation, both wings automatically angle into scoop position.



### Windrow Blade

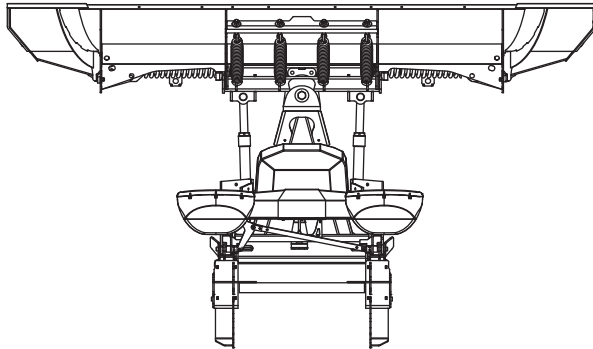
The wings automatically adjust in and out as the blade is angled left or right.



# OPERATING YOUR SNOWPLOW

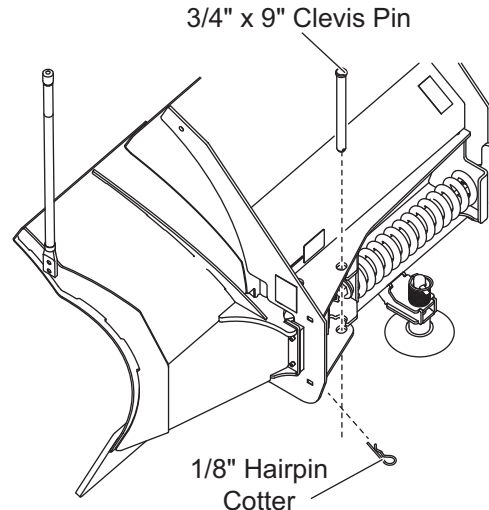
## Straight Blade Option

The wings may be pinned in position to operate as a straight blade, using the hardware provided:



1. Fully angle the blade to one side. Lower the blade and turn the plow control and vehicle ignition OFF.

2. Standing behind the blade, install a 3/4" x 9" clevis pin down through the holes in the back of the blade assembly, as shown.
3. Secure the pin with a 1/8" hairpin cotter.
4. Repeat Steps 1–3 on the opposite side.



# OPERATING YOUR SNOWPLOW

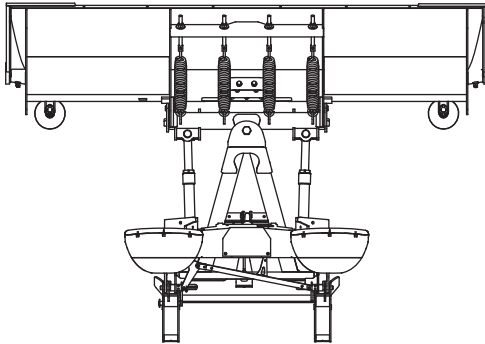
## POWER PLOW™ BLADE POSITIONS

The POWER PLOW snowplow can be used in four basic plowing positions.

**NOTE: Always transport the POWER PLOW snowplow with both wings fully retracted.**

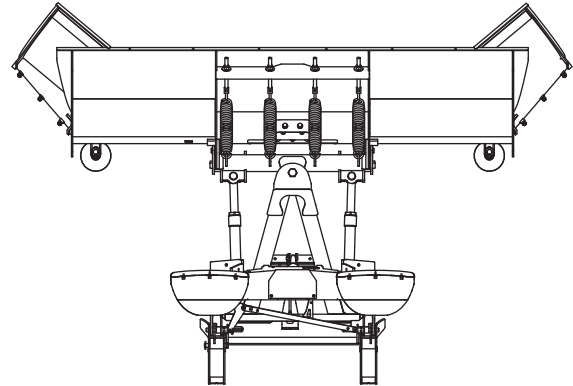
### Compact Blade

Both wings retracted to form a straight blade.



## BUCKET BLADE™

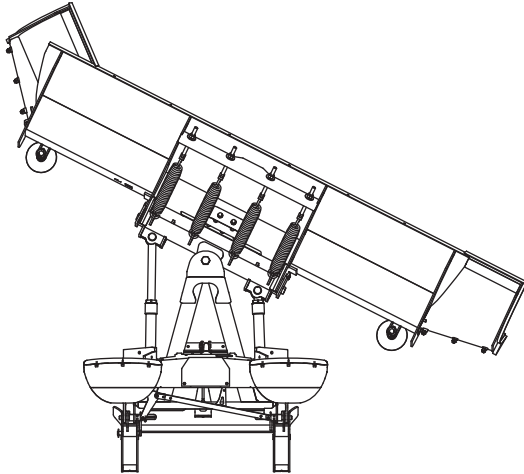
Extend both wings out and away from the vehicle to form a scoop to carry snow with minimum spilloff.



# OPERATING YOUR SNOWPLOW

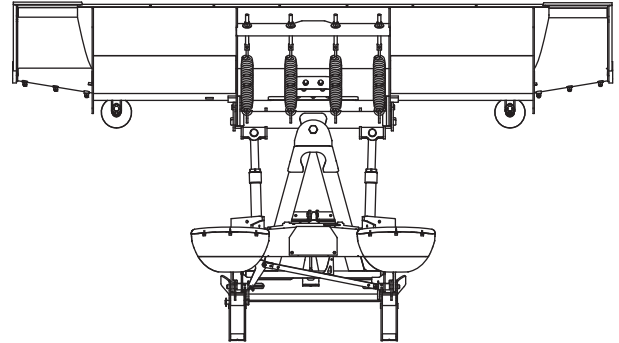
## Windrow Blade

One wing moved OUT to extended position and the other wing moved OUT to scoop position for cleaning up windrows.



## WIDE PASS™ Blade

Move both wings moved OUT to extended position to create an extra-wide straight blade for clearing large areas.



# OPERATING YOUR SNOWPLOW

---

## HDV™ BLADE POSITIONS

---

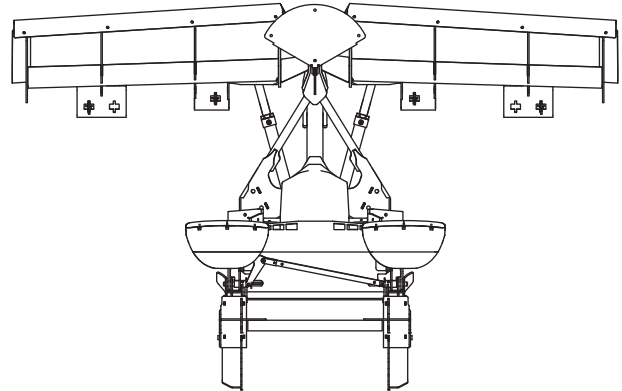
**NOTE:** For best road clearance during transport, place the blade halfway between the straight and compact (vee) positions. The **BUCKET BLADE™** (scoop) position is **NOT RECOMMENDED** during transport.

---

The HDV snowplow can be used in five basic plowing positions.

## Straight Blade

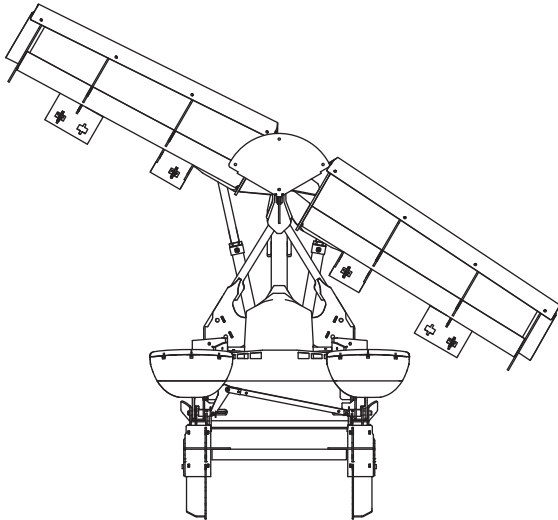
Move both wings to form a straight blade for wide-path plowing or stacking snow.



# OPERATING YOUR SNOWPLOW

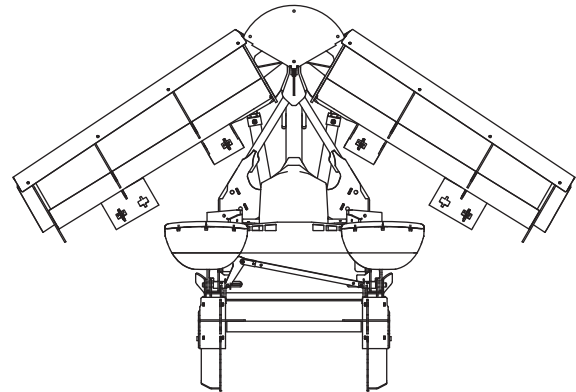
## Angled Blade

Move one wing OUT and the other wing IN to form an angled blade in either direction for general plowing and widening.



## Compact (Vee) Blade

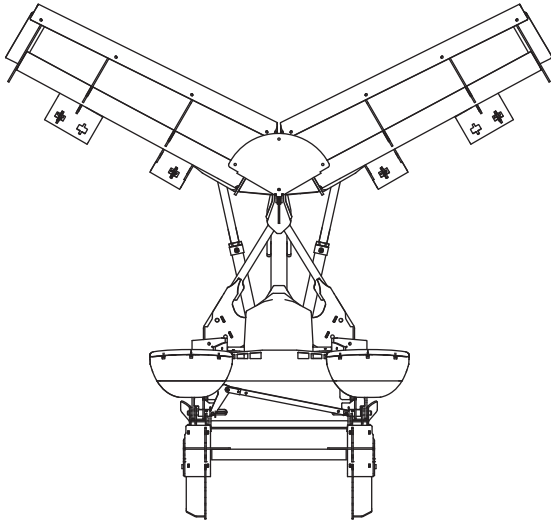
Move both wings IN toward the vehicle for initial break through plowing and plowing paths or walkways.



# OPERATING YOUR SNOWPLOW

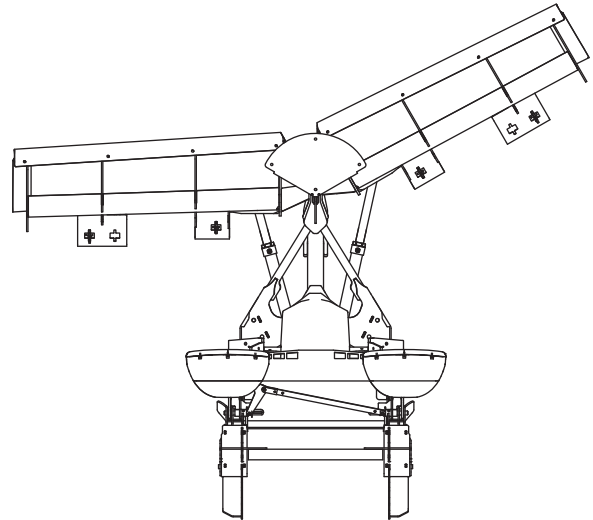
## BUCKET BLADE™ (Scoop Position)

Extend both wings out and away from the vehicle to form a scoop to carry snow with minimum spilloff.



## Dogleg Blade

Move one wing to straight blade position and the other OUT to scoop blade position for clean-up of windrows.





# OPERATING YOUR SNOWPLOW

---

## SNOWPLOW HEADLAMP CHECK

With all electrical plugs connected, check the operation of vehicle and snowplow headlamps.

Lights	Results
Parking Lamps	Both vehicle and snowplow lamps should be ON.
Right Turn Signal	Both vehicle and snowplow lamps should be ON.
Left Turn Signal	Both vehicle and snowplow lamps should be ON.

Connecting and disconnecting the electrical plugs should switch between the vehicle and snowplow headlamps as follows:

- Electrical plugs **DISCONNECTED** – Vehicle headlamps function normally.
- Electrical plugs **CONNECTED** – Vehicle headlamp functions transfer to the snowplow headlamps. On some DRL systems, both the vehicle and snowplow headlamps will function.

## Aiming the Headlamps

- Aim the snowplow headlamps with the snowplow mounted and raised in the transport position. See "Aiming Headlamp Beams" in the Maintenance section for instructions.
- Aim the vehicle headlamps with the snowplow removed from the vehicle.

# OPERATING YOUR SNOWPLOW

---

## HYDRAULIC SYSTEM

### Hydraulic Fluid

For hydraulic fluid type and filling instructions, see "Annual Fluid Change" under "Hydraulic System" in the Maintenance section of this manual.

### Relief Valves

The hydraulic unit's valve manifold includes relief valves to prevent damage to the blade or vehicle if an obstacle is hit at either end of the blade. When force against the blade causes the pressure **in an extended ram** to exceed set limits, the relief valve opens allowing fluid to escape and the ram retracts.

The valves are preset at the factory and do not need any adjustments unless the valve manifold is serviced.

## BLADE DROP SPEED ADJUSTMENT

### WARNING

**Keep 8' clear of the blade when it is being raised, lowered or angled. Do not stand between vehicle and blade or directly in front of the blade. If the blade hits or drops on you, you could be seriously injured.**

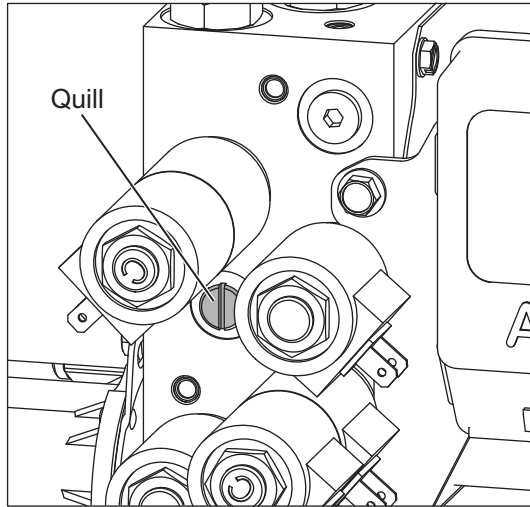
The quill in the valve manifold adjusts the blade drop speed.

1. Lower the blade to the ground before making the adjustment.
2. Remove the hydraulic unit cover.

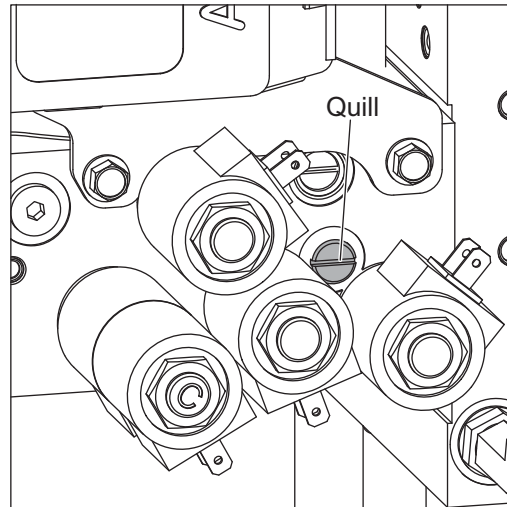
# OPERATING YOUR SNOWPLOW

3. Turn the quill IN (clockwise) to decrease drop speed. Turn the quill OUT (counterclockwise) to increase drop speed.
4. Stand 8 feet clear of the blade when checking drop speed adjustment.
5. Replace the hydraulic unit cover.

## POWER PLOW™, SPEEDWING™, and Straight Blades



## HDV Blades



# OPERATING YOUR SNOWPLOW

---

## TRANSPORTING SNOWPLOW

### WARNING

Position blade so it does not block headlamp beam.

Do not change blade position while traveling. You could suddenly lower blade accidentally.

### CAUTION

Transport speed should not exceed 45 mph (72 km/h). Further reduce speed under adverse travel conditions.

---

**NOTE:** For HDV™ blades, use care when driving or entering driveways with the snowplow in the retracted (vee) position. The outer ends of the cutting edges could contact the ground.

---

---

**NOTE:** Always transport the POWER PLOW™ snowplow with both wings fully retracted.

---

1. Completely raise the blade.
2. Adjust the blade height for maximum snowplow headlamp illumination.
3. Adjust the blade to the straight position.
4. Turn the control OFF to lock the blade in place.

---

**NOTE:** Overheating is unlikely under normal driving conditions, but occasionally the snowplow may be positioned where it deflects air away from the radiator. If this occurs, stop the vehicle and raise, lower or angle the snowplow slightly to correct overheating.

---

---

**NOTE:** Only the driver should be in the vehicle cab when the snowplow is attached.

---

# OPERATING YOUR SNOWPLOW

---

## DRIVING AND PLOWING ON SNOW AND ICE

### CAUTION

**Drinking then driving or plowing is very dangerous. Your reflexes, perceptions, attentiveness and judgement can be affected by even a small amount of alcohol. You can have a serious or even fatal collision if you drive after drinking. Please do not drink and then drive or plow.**

Refer to your vehicle owner's manual instructions for driving in snow and ice conditions. Remember, when you drive on snow or ice, your tires will not get good traction. You cannot accelerate as quickly, turning is more difficult, and you will need longer braking distance.

Wet and hard-packed snow or ice offers the worst tire traction. It is very easy to lose control. You will have difficulty accelerating. If you do get moving, you may have poor steering and difficult braking, which can cause you to slide out of control.

Here are some tips for driving in these conditions:

- Drive defensively.
- Do not drink, then drive or plow snow.
- Plow or drive only when you have good visibility for operating a vehicle.
- If you cannot see well due to snow or icy conditions, you will need to slow down and keep more space between you and other vehicles.
- Slow down, especially on higher-speed roads. Your headlamps can light up only so much road ahead.
- If you are tired, pull off in a safe place and rest.
- Keep your windshield and all glass on your vehicle clean to see around you.
- Dress properly for the weather. Wear layers of clothing, as you get warm you can take off layers.

# OPERATING YOUR SNOWPLOW

---

## PLOWING SNOW

### WARNING

Never plow snow with head out the vehicle window. Sudden stops or protruding objects could cause personal injury.

### CAUTION

Wear a seat belt when plowing snow. Hidden obstructions could cause the vehicle to stop suddenly resulting in personal injury.

### CAUTION

Flag any obstructions that are hard to locate under snow to prevent damage to product or property.

### CAUTION

Never stack snow with the blade angled. This could damage the snowplow or the vehicle bumper.

### CAUTION

Plowing speed should not exceed 10 mph (16 km/h).

---

**NOTE:** Only the driver should be in the vehicle cab when the snowplow is attached.

---

# OPERATING YOUR SNOWPLOW

---

## General Instructions

1. Before plowing, make sure you know of any obstructions hidden beneath the snow such as bumper stops in parking lots, curbs, sidewalk edges, shrubs, fences or pipes sticking up from the ground. If unfamiliar with the area to be plowed, have someone familiar with the area point out obstacles.
2. If possible and you have good visibility, plow during the storm rather than letting snow accumulate.
3. Do not exceed 10 mph (16 km/h) when plowing snow.
4. When you are stacking snow, begin raising the blade as you come close to the stack. This will let the blade ride up the stack.

## Hard-Packed Snow

1. Raise the antiwear shoes so that the cutting edge comes into direct contact with the pavement.
2. Use the lowest gear to place maximum power behind the cutting edge.
3. An angled blade is more effective for removing hard-packed snow.

## Deep Snow

1. For SPEEDWING™ and straight blades, shear off top layers by plowing with the blade raised 3 to 4 inches for the initial pass.
2. For HDV™ and POWER PLOW™ blades, move the blade to the compact position and make an initial pass.

# OPERATING YOUR SNOWPLOW

---

3. Bite into the edges using only a partial blade width until the job is cut down to size for full blade plowing.

Rule of thumb:

- 6" of snow — plow with entire blade width;
- 9" of snow — plow with 3/4 blade width;
- 12" of snow — plow with 1/2 of the blade.

For POWER PLOW™ blades in BUCKET BLADE™ position, plow all depths with entire blade width.

Experience and "feel" are the best guides.

4. When plowing deep snow, be sure to keep vehicle moving.
5. Ballast is suggested for maximum traction. Secure ballast behind the rear axle. Do not exceed vehicle's GVWR and GAWR.
6. For increased traction, use tire chains where legal.

## Clearing Driveways

1. Head into the driveway with the blade angled and plow the snow away from any buildings. Widen the driveway by rolling snow away from any buildings.
2. If a building is at the end of the driveway, plow to within a vehicle length of the building. Push as much snow as possible off the driveway.
3. With a raised blade, drive through the remaining snow to the building. Drop the blade and "back drag" the snow away from the building at least one vehicle length. Repeat if necessary.
4. Back the vehicle up to the building and plow forward, removing the remaining snow from the driveway. Check municipal ordinances for proper disposal of snow.



# OPERATING YOUR SNOWPLOW

---

## Clearing Parking Lots

1. Clear areas in front of buildings first. With the blade raised, drive up to the building. Drop the blade and "back drag" the snow away from the building. When snow is clear of the buildings, turn the vehicle around and push snow away from the buildings toward the outer edges of the lot.
2. Plow a single path down the center in the lengthwise direction.
3. With the blade in the scoop, angle or windrow position, plow successive strips lengthwise until the area is cleared and snow is "stacked" around the outer edges.
4. If snow is too deep to clear in the above manner, clear main traffic lanes as much as possible.

## PARKING WITH SNOWPLOW ATTACHED

### WARNING

**Lower the blade when the vehicle is parked. Keep 8' clear of the blade. Temperature changes could change hydraulic pressure, causing the blade to drop unexpectedly or damaging hydraulic components. Failure to do this could result in serious personal injury.**

Whenever you park your vehicle, completely lower the blade to the ground.

## TOWING A DISABLED OR STUCK VEHICLE

Do not use any snowplow components as an attaching point when retrieving, towing or winching a disabled or stuck vehicle.

# DETACHING SNOWPLOW FROM VEHICLE & STORAGE

---

## DETACHING SNOWPLOW

### WARNING

Keep 8' clear of the blade when it is being raised, lowered or angled. Do not stand between vehicle and blade or directly in front of the blade. If the blade hits or drops on you, you could be seriously injured.

### WARNING

Inspect snowplow components and fasteners for wear or damage whenever attaching or detaching the snowplow. Worn or damaged components could allow the snowplow to drop unexpectedly.

---

**NOTE: SPEEDWING™, POWER PLOW™, or straight blades must be in the straight position when attaching or detaching the snowplow.**

---

---

**NOTE: The HDV™ Blade must be in the compact (vee) position when attaching or detaching the snowplow.**

---

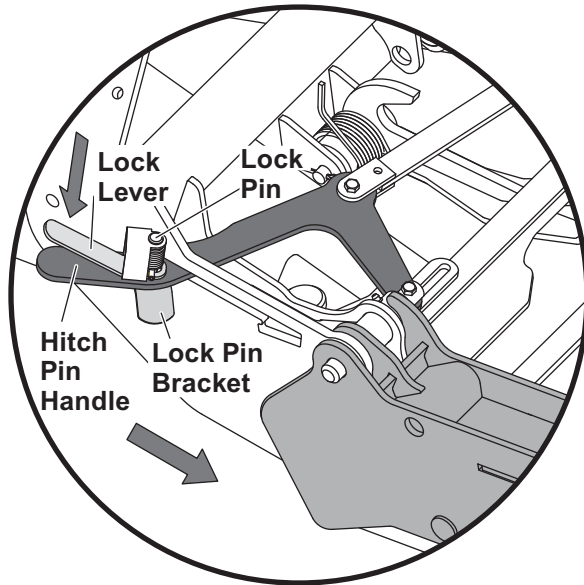
During the off-season, the control can be removed. Disconnect the connector in the cab and store the control in the glove box of the vehicle.

## Detaching Steps

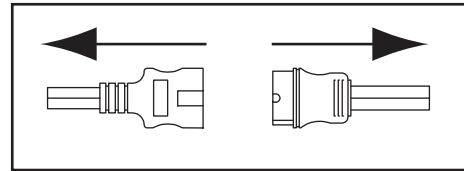
1. From inside the vehicle, lower snowplow onto ground with the blade straight (POWER PLOW, SPEEDWING, or straight blades) or in compact (vee) position (HDV blades). Turn plow control in vehicle OFF.
2. Push and hold power switch RIGHT and push and hold attach/detach operation switch RIGHT momentarily to rotate headgear up and release load on hitch pins.

# DETACHING SNOWPLOW FROM VEHICLE & STORAGE

3. Hold down lock lever to disengage lock pin and move hitch pin handle rearward into notch in end of slot to fully disengage hitch pins from receivers.



4. Push and hold power switch RIGHT and push and hold attach/detach operation switch LEFT to rotate headgear down until stand contacts ground (POWER PLOW™, SPEEDWING™, or straight blade snowplow) or headgear contacts T-frame (HDV™ snowplow) and hydraulic unit turns OFF.



5. Unplug electrical harnesses.

---

**NOTE:** After each use of the snowplow, reapply dielectric grease to the electrical plugs to maintain the protective coating on the terminals.

---

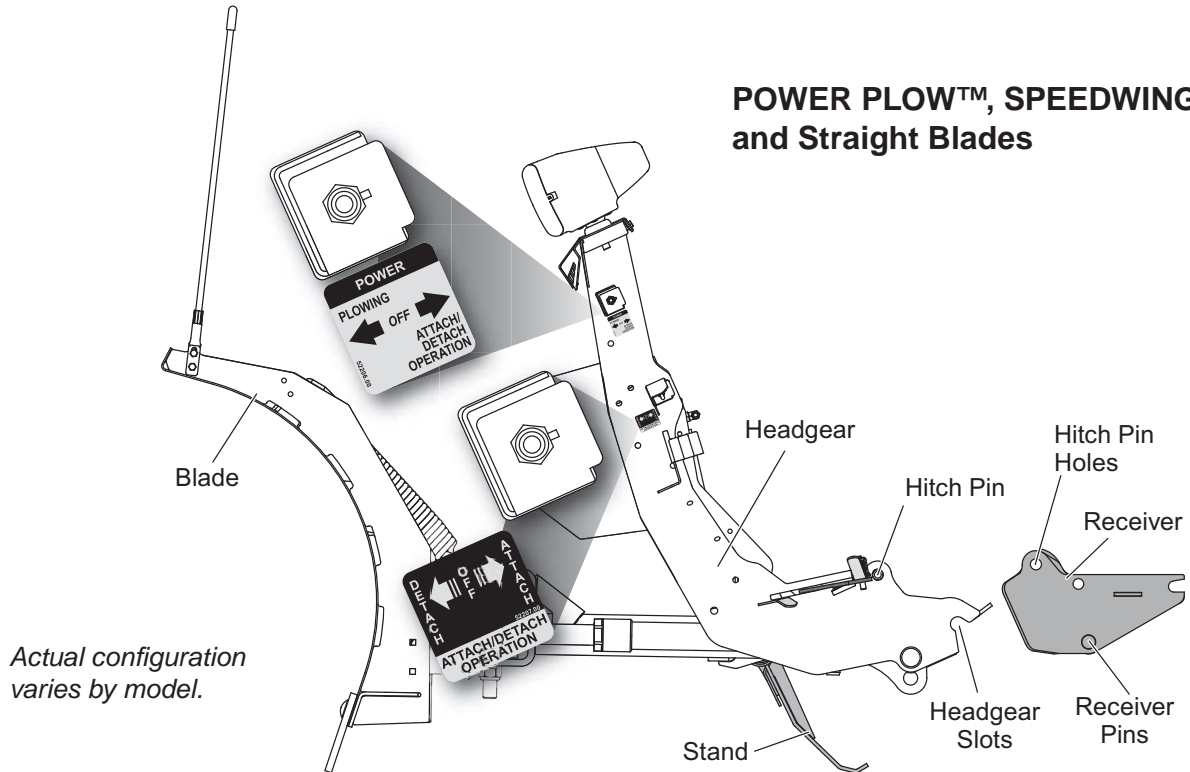
---

**NOTE:** Reinstall plug covers on harnesses.

---

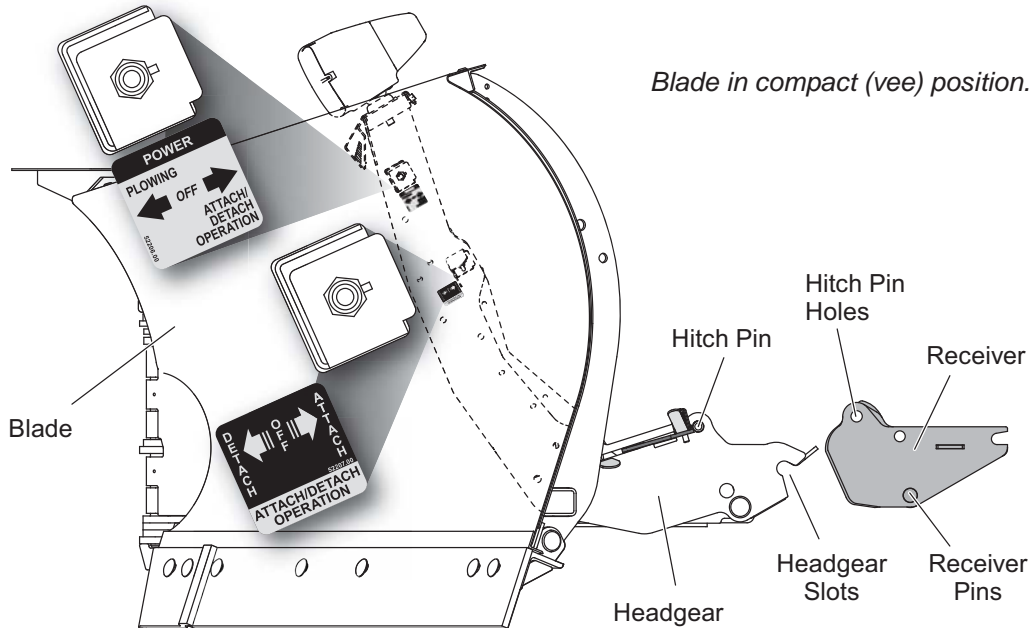
# DETACHING SNOWPLOW FROM VEHICLE & STORAGE

## POWER PLOW™, SPEEDWING™, and Straight Blades



# DETACHING SNOWPLOW FROM VEHICLE & STORAGE

## HDV™ Blade



# DETACHING SNOWPLOW FROM VEHICLE & STORAGE

---

## CAUTION

**On 2-plug electrical systems, plug covers shall be used whenever snowplow is disconnected. Vehicle Battery Cable is 12V unfused source.**

## STORAGE

Your snowplow is designed to be moved into a storage location using your vehicle and plow attaching system. For easier attaching of the snowplow, store it on a hard, level surface.

# MAINTENANCE

---

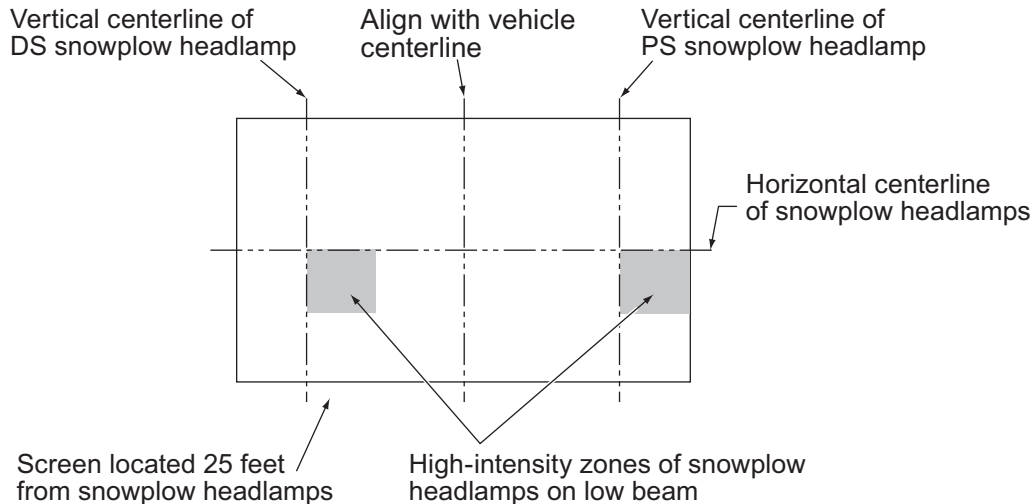
## AIMING HEADLAMP BEAMS

Tighten headlamp fasteners to 45 ft-lb once correct visual aim is achieved.

1. Place vehicle on a level surface 25 feet in front of a matte-white screen, such as a garage door. The screen should be perpendicular both to the ground and to the vehicle centerline.
2. The vehicle should be equipped for normal operation. The snowplow blade should be in place and in raised position. Below are steps listed by the Society of Automotive Engineers (SAE) pertinent to headlamp aiming in specification #SAE J599d.
  3. Prepare vehicle for headlamp aim or inspection. Before checking beam aim, the inspector will:
    - a. Remove ice or mud from under fenders.
    - b. Set tire inflation pressures to the values specified on vehicle information label.
    - c. Check springs for sag or broken leaves.
    - d. See that there is no load in the vehicle other than the driver and ballast as specified in the Power Match selection system.
    - e. Check functioning of any automatic vehicle leveling systems and specific manufacturer's instructions pertaining to vehicle preparation for headlamp aiming.
    - f. Clean lenses.
    - g. Check for bulb burnout and proper beam switching.
    - h. Stabilize suspension by rocking vehicle sideways.

# MAINTENANCE

4. Mark (or tape) the vertical centerline of the snowplow headlamps and the vertical centerline of the vehicle on the screen. Mark the horizontal centerline of the snowplow headlamps on the screen (distance from ground to snowplow headlamp centers).
5. Align the top edge of the high-intensity zone of the snowplow lower beam below the horizontal centerline and the left edge of the high-intensity zone on the vertical centerline for each snowplow headlamp. (Refer to the diagram below.)





# MAINTENANCE

---

## PRESEASON CHECK

### WARNING

**Lower the blade when the vehicle is parked. Keep 8' clear of the blade. Temperature changes could change hydraulic pressure, causing the blade to drop unexpectedly or damaging hydraulic components. Failure to do this could result in serious personal injury.**

Before the snow season, check your equipment to make sure it's in working condition. Here are some tips for getting your equipment ready:

- Clean and tighten all electrical connections and coat with dielectric grease to prevent corrosion.
- Check hydraulic system for leaks and cracked or damaged hoses.
- Drain hydraulic system and refill with recommended hydraulic fluid. For hydraulic fluid type and filling instructions, see "Annual Fluid Change" under "Hydraulic System" in this section of the manual.
- Replace worn or damaged parts.
- Check all mounting points and tighten fasteners, on both snowplow and vehicle. Verify that all cotter pins are in place.
- Repaint blade assembly and attachments, as necessary, to protect the metal.
- Install auxiliary and flashing lights for compliance and visibility in accordance with local regulations.
- Check headlamps, auxiliary lights, heater and windshield wipers for proper operation.

# MAINTENANCE

---

- Inspect and test your battery. Recharge or replace as necessary.
- Ballast may be necessary, or beneficial, on some vehicles to provide maximum traction, braking and handling.
- Any ballast material (such as sand and blocks) must be solidly secured to the vehicle preventing it from moving under harsh plowing conditions.

## POSTSEASON MAINTENANCE

---

**NOTE: Coat all electrical connections with dielectric grease.**

---

- Clean and paint blade and attachments as needed.
- Apply general purpose petroleum grease to exposed chrome surfaces of the rams to prevent rust.
- Lubricate all pivot points and the hitch pin and stand pin grease zerks with general purpose petroleum grease.

# MAINTENANCE

---

## MAINTENANCE AND ADJUSTMENT

### WARNING

**Lower the blade when the vehicle is parked. Keep 8' clear of the blade. Temperature changes could change hydraulic pressure, causing the blade to drop unexpectedly or damaging hydraulic components. Failure to do this could result in serious personal injury.**

Your SnowEx® snowplow is designed for rugged, dependable service. However, like the vehicle on which it is mounted, it needs regular care and maintenance.

Check the following before and frequently during the plowing season:

- Make sure all fasteners, mounting bolts and hydraulic connections are tight.

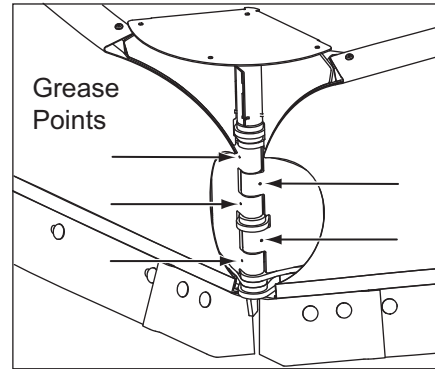
- Make sure all electrical connections including grounds are clean, tight, free of rust or corrosion and are coated with dielectric grease.
- Check all plugs and seals for hydraulic fluid leaks. Repair as necessary.
- Lubricate all moving parts. Not doing so will make operation of the mount difficult and possibly damage components. **For HDV™ V-plows**, also see "Greasing HDV Pivot Pin Hinge" later in this section.
- **SPEEDWING™ Wing Cutting Edges:** To equalize wear, follow the procedures described in the following "Cutting Edge Wear and Leveling Adjustment" section.

# MAINTENANCE

- **Trip Spring Adjustment (Straight Blade, SPEEDWING™, and POWER PLOW™ snowplows):** To adjust trip spring tension, adjust the eyebolts located at the top of the blade. Loosen the locknut (nut closest to the spring), and tighten the adjusting nut (nut farthest from the spring) until the coils begin to separate. When tension is properly adjusted, a sheet of paper should pass between the second and third coils. When the proper tension is reached, tighten the locknut.
- **Blade Finish:** If the powder-coat finish is nicked or scratched, repair the surface and paint with SnowEx® gray or gloss black paint (available in aerosol or quart can).

## GREASING HDV™ PIVOT PIN HINGE

Using a rubber-tipped seal-off coupler, apply a good quality multipurpose grease at the five grease points along the center pivot pin hinge.



Grease the hinge at the beginning of the snowplow season. Reapply as needed during the season and before putting the snowplow in storage.

# MAINTENANCE

---

## HYDRAULIC SYSTEM

### Fluid Level

**⚠ CAUTION**

**Do not mix different kinds of hydraulic fluid. Some fluids are not compatible and may cause performance problems and product damage.**

---

**NOTE: On POWER PLOW™ and HDV™ blades, add fluid only when wings are retracted.**

---

**NOTE: Remove fill plug slowly to relieve any pressure in reservoir.**

---

1. With the Automatixx® system attached to the vehicle, lower the blade to the ground. Turn the control OFF.

2. Remove the hydraulic cover.
3. Slowly remove the fill plug to check or add fluid.

**SPEEDWING™, POWER PLOW™, and straight blades:** Fluid level should be 2" to 3" below the top of the fill pipe.

**HDV™ blades:** Fluid should be 1" to 1-1/2" below the fill pipe.

Do not overfill. Replace the fill plug.

4. Replace the hydraulic unit cover.

For fluid recommendations see "Annual Fluid Change" in this section.

# MAINTENANCE

---

## Annual Fluid Change

### **WARNING**

**Keep 8' clear of the blade when it is being raised, lowered or angled. Do not stand between vehicle and blade or directly in front of the blade. If the blade hits or drops on you, you could be seriously injured.**

### **CAUTION**

**Change the fluid at the beginning of each plowing season. Failure to do this could result in condensation buildup during the non-plowing season.**

### **CAUTION**

**Do not mix different kinds of hydraulic fluid. Some fluids are not compatible and may cause performance problems and product damage.**

1. Perform this operation with the snowplow attached to the truck on a hard level surface. Disable the one-touch FLOAT feature, if enabled. (See "One-Touch FLOAT" in the Operating Your Snowplow section of this manual.)
2. Lower the blade to the ground. For SPEEDWING™ blades, move the blade to the scoop position so both wings are forward. For POWER PLOW™ and HDV™ blades, fully retract the wings.
3. Remove the hydraulic unit cover.

---

**NOTE: Loosen the fill plug slowly to relieve any pressure in the reservoir.**

---

4. **SPEEDWING, POWER PLOW, or Straight Blades:** Remove the drain plug located in the bottom of the hydraulic reservoir.

**HDV Blades:** Remove the drain cap on the side of the valve manifold. (See illustration

# MAINTENANCE

---

under "Hydraulic System" in the Getting to Know Your Snowplow section of this manual.

Completely drain the reservoir and replace the drain plug/cap.

Fill the reservoir with SnowEx® RAPID ACTION hydraulic fluid to -40°F (-40°C), or other fluid conforming to Military Specification MIL-H-5606 A, such as Mobil Aero HFA or Shell AeroShell® Fluid 4.

**SPEEDWING, POWER PLOW, or Straight Blades:** Fill reservoir to within 2" to 3" of the top of the fill pipe.

**HDV™ Blades:** Fill reservoir so fluid is 1" to 1-1/2" below the fill pipe.

Replace the fill plug.

5. Remove air by turning the control ON and fully angling the blade to the left and right several times. Turn the control OFF.
6. Add fluid to fill the reservoir to the proper level as specified in Step 6. Replace the fill plug.

---

**NOTE: Loosen fill plug slowly to relieve any pressure in the reservoir.**

---

7. Turn the control ON and raise and lower the snowplow several times. Turn the control OFF.
8. Add fluid to fill the reservoir to the proper level as specified in Step 6. Replace the fill plug.

## WARNING

**To prevent accidental movement of the blade, always turn the control OFF whenever the snowplow is not in use. The power indicator light will turn OFF.**

AeroShell® is a registered trademark (®) of Shell Oil Company.

# MAINTENANCE

## Hose or Fitting Replacement

### WARNING

**Lower blade when vehicle is parked. Keep 8' clear of the blade. Temperature changes could change hydraulic pressure, causing the blade to drop unexpectedly or damaging hydraulic components. Failure to do this could result in serious personal injury.**

DO NOT use thread sealant/tape on hoses or fittings. This could damage the product. Follow the recommended replacement procedures for fittings and hoses.

1. **POWER PLOW™ Blades:** Fully retract both wings.

**SPEEDWING™ Blades:** Move the blade to scoop position so both wings are forward.

**HDV™ Blades:** Move the wings to the BUCKET BLADE™ (scoop) position. Ensure

that the rear of the plow is adequately supported.

2. Lower the snowplow completely and turn the control OFF.

---

**NOTE: Loosen fill plug slowly to relieve any pressure in the reservoir.**

---

3. Carefully note hose routings and position of any protective hose wraps for proper reassembly.
4. Loosen hoses or fittings slowly to relieve any residual pressure.

**HDV blades:** When servicing base end angle ram hoses or fittings, first remove the base end angle ram 1" pin.

5. To remove a hose, loosen and unscrew the hose flare nut from the fitting.
6. To remove a fitting, loosen the jam nut and unscrew the fitting from the port.



# MAINTENANCE

---

## Installing Hydraulic Fittings and Hoses

---

**NOTE: Over-torquing JIC hose fitting ends will result in a fractured fitting.**

---

DO NOT use any type of sealant or tape on fittings or hoses. This could damage product. Always use two wrenches to ensure proper tightening of fittings and hoses.

### Installing SAE O-Ring Fittings in Valve Block and Rams

1. Turn the fitting jam nut as far back as possible.
2. Lubricate the O-ring with clean hydraulic fluid.
3. Screw the fitting into the port by hand until the washer contacts the port face and shoulder of the jam nut threads.
4. Unscrew the fitting to the proper position no more than one full turn.

5. Using two wrenches, hold the fitting body in position and tighten the jam nut until the washer again contacts the port face, then tighten an additional 1/8 to 1/4 turn to lock the fitting in place. Final torque on the jam nut should be approximately 20 ft-lb.

### Installing Hydraulic Hoses

1. Screw the flare nut onto the fitting flare and hand tighten.
2. Align the hose so there are no twists or sharp bends and so it will not be pinched or pulled by moving parts.
3. Using a pair of adjustable pliers, hold the hose in position and use a wrench to tighten the flare nut 1/8–1/4 turn beyond hand tight. Final torque on the flare nut should be approximately 20 ft-lb.
4. Reinstall any protective hose wraps in their original positions.

# MAINTENANCE

---

## FUSE REPLACEMENT

The vehicle electrical system contains several automotive blade-style fuses. The snowplow park/turn and control power is covered by fuses in the under-hood snowplow wiring. The control fuse is "hot" when the vehicle ignition switch is ON and the electrical connections to the snowplow are completed.

The hydraulic unit harness system contains three automotive blade-style mini fuses. The 4-solenoid harness (to Port B on the hydraulic unit module) and 9-solenoid (HDV™) harness (to Port C) each contain two 5-amp mini fuses.

The 2-solenoid (straight blades) or 6-solenoid (POWER PLOW™) harness (to Port C) contains a single 5-amp mini fuse.

If a problem should occur and fuse replacement is necessary, the replacement fuse must be of the same type and amperage rating as the original. Installing a fuse with a higher rating can damage the system and could start a fire.

## VEHICLE

The snowplow operating vehicle shall be maintained according to manufacturer's recommendations. Tire pressure shall be maintained according to manufacturer's recommendation.

## RECYCLE

When your snowplow has performed its useful life, the majority of its components can be recycled as steel or aluminum. Hydraulic fluid shall be disposed of according to local regulations. The balance of the parts made of plastic shall be disposed of in a customary manner.

# MAINTENANCE

---

## BLADE FINISH

If the powder-coat finish is nicked or scratched, repair the blade surface with SnowEx® gray paint in aerosol or quart cans from your SnowEx outlet. Clean and repaint parts as necessary.

## EMERGENCY PARTS/TOOLS

We suggest that you keep a SnowEx Emergency Parts Kit in your vehicle. This kit contains SnowEx hydraulic fluid, dielectric grease, common hoses, pins, clips, fasteners, and a motor relay.

Also keep the following items in your vehicle for emergency use:

- 10" adjustable wrench
- Pliers
- Medium screwdriver
- Miscellaneous fasteners

***Always use SnowEx designed and tested replacement parts.***

# MAINTENANCE

---

## TROUBLESHOOTING

If you have followed all of the guidelines in the Maintenance section of this manual and cannot resolve issues with the operation of your SnowEx® snowplow, contact one of our authorized outlets for repair information, or visit us online at [www.snowexproducts.com](http://www.snowexproducts.com). Our website has a complete listing of authorized outlets in your area as well as a complete library of Parts Lists, Mechanic's Guides and service information to assist the qualified mechanic with repair.

TrynEx International does not recommend repairs by other than our factory-trained outlets. Failure to use an authorized outlet could affect the warranty coverage on your snowplow.





**DD A DIVISION OF DOUGLAS DYNAMICS, LLC**



*This product conforms to EU Machinery Directive 2006/42/EC and Directive 2011/65/EC (RoHS2).*

Copyright © 2015 Douglas Dynamics, LLC. All rights reserved. This material may not be reproduced or copied, in whole or in part, in any printed, mechanical, electronic, film or other distribution and storage media, without the written consent of TrynEx International, LLC. Authorization to photocopy items for internal or personal use by TrynEx International, LLC, outlets or snowplow owner is granted.

TrynEx International, LLC, reserves the right under its product improvement policy to change construction or design details and furnish equipment when so altered without reference to illustrations or specifications used. TrynEx International, LLC, or the vehicle manufacturer may require or recommend optional equipment for snow removal. Do not exceed vehicle ratings with a snowplow. This product is manufactured under the following U.S. patents: 5,638,618; 5,899,007; 6,253,470; 6,276,076; 6,393,737; 6,408,549; 6,412,199; 6,442,877; 6,615,513; 6,526,677; 6,711,837; 6,928,757; 6,944,978; 7,134,227; 7,400,058; 7,430,821; 7,681,334; 7,737,576; 9,200,418; CAN patents 2,184,922; 2,229,783; 2,259,508; 2,354,257; 2,356,036; 2,358,145; 2,358,354; 2,466,195; 2,632,102; 2,639,052; and other patents pending. TrynEx International, LLC, offers a limited warranty for all snowplows and accessories. See separately printed page for this important information. The following are registered (®) or unregistered (™) trademarks of Douglas Dynamics, LLC: Automatixx®, BUCKET BLADE™, POWER GRIP™, POWER PLOW™, SECURITY GUARD™, SnowEx®, SPEEDWING™, STORM SEEKER™, WIDE PASS™.